

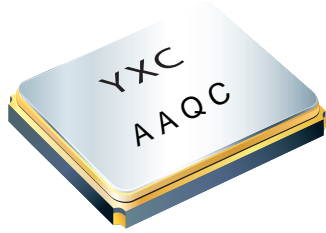


给您一颗快乐的“芯”！

YSX211SL



Features



- External dimensions: 2.05 x 1.65 x 0.50 mm.
- Standard Frequency: 16~54MHz.
- High precision and high frequency stability.
- Excellent heat resistance and environmental characteristics.
- Applications: mobile phone, Bluetooth, Bluetooth, W-LAN ISM band radio, clock for MPU GPS, smart phone.

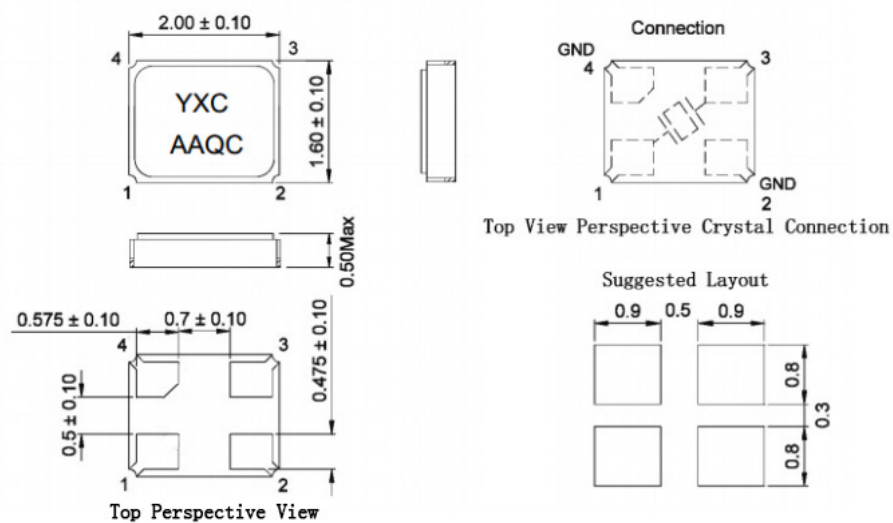
Electrical Specifications

| Item / Type | YSX211SL |
|--|---|
| Standard Frequency | 16~54 MHz |
| Vibration Mode | AT Fundamental |
| Load Capacitance | 8pF, 9pF, 12pF, or specify |
| Frequency Tolerance (at 25 °C) | ± 10 ppm, ± 15 ppm, ± 20 ppm, or specify |
| Frequency Versus Temperature Characteristics | ±20 ppm, or specify |
| Operating Temperature | - 20 ~ +70 °C , - 40 ~ + 85 °C , or specify |
| Storage Temperature | -40 ~ + 85 °C , or specify |
| Shunt Capacitance | 3 pF Max. |
| Level Of Drive | 10~200 μ W Max.(10uW typical) |
| Frequency Aging (at 25 °C) | ± 3 ppm / year Max. |

Equivalent Series Resistance(ESR)

| Fundamental | |
|-------------|------------|
| 20 ~ 30 MHz | 100 Ω Max. |
| 30 ~ 50 MHz | 80 Ω Max. |

Dimensions



Units: mm



给您一颗快乐的“芯”！

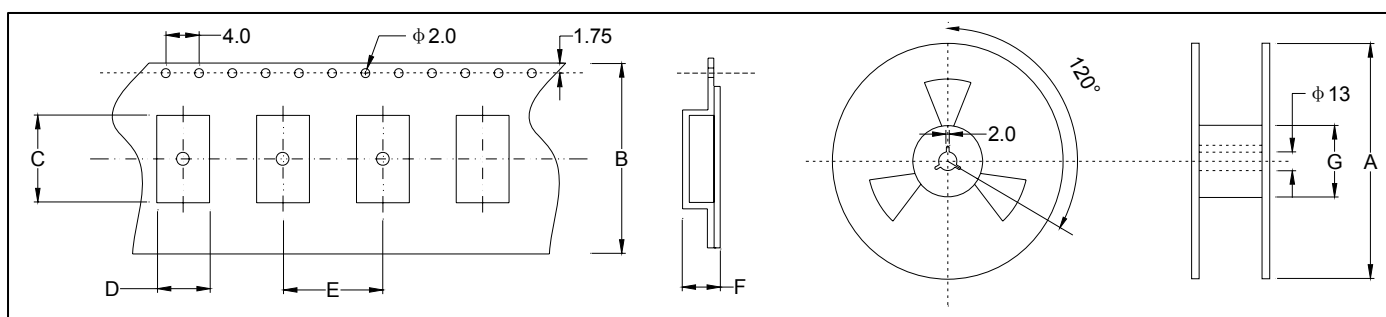
YSX211SL



★ PART NUMBER GUIDE 部件号示例 e.g. X201612MOB4SC YSX211SL=2.00×1.60 SMD SEAM TYPE

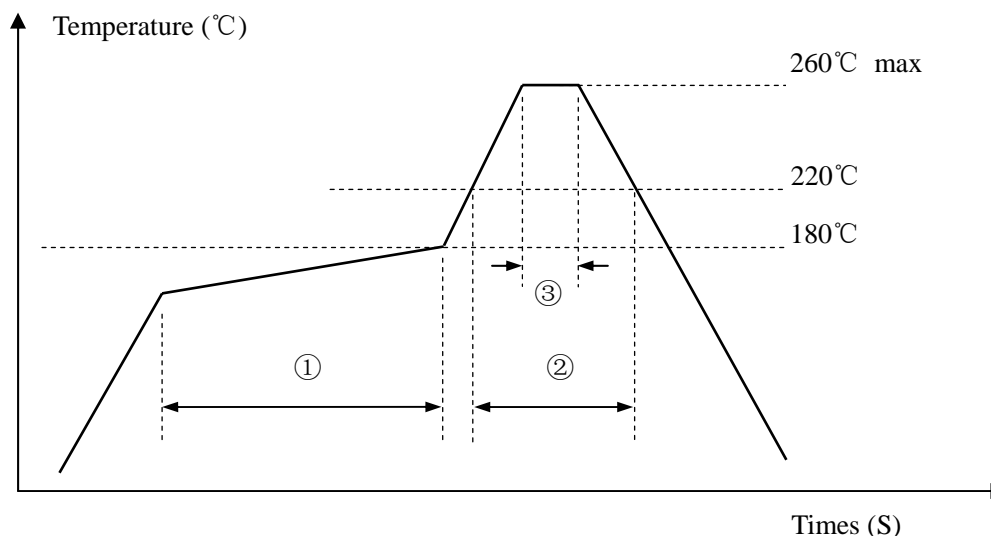
| Quartz Crystal Resonator | Dimensions | Frequency (Hz) | Load Capacitance (Pf) | Frequency Stability Overall (ppm) | Pin | Material | Operating Temp. Range |
|--------------------------|------------|----------------|-----------------------|-----------------------------------|-----|----------|-----------------------|
| X | 2016 | 12M | O | B | 4 | S | C |

★ TAPING SPECIFICATION (Unit: mm) 编带规格



| | A | B | C | D | E | F | G |
|-------------------|---------|---------|-----------|-----------|---------|-----------|----------|
| SMD2016 | 180±2.0 | 8.0±0.2 | 2.30±0.01 | 1.90±0.01 | 4.0±0.1 | 0.90±0.01 | 60.0±1.0 |
| 3000 pcs per reel | | | | | | | |

★ REFLOW SOLDERING PROFILE 回流焊特性



| | | | | |
|---------------------|---|--------------|-----------|-------------|
| Pb free reflow A | ① | Preheat | 160~180°C | 120sec. max |
| | ② | Primary heat | 220°C | 60sec. max |
| | ③ | Peak | 260°C | 10sec. max. |

X-ON Electronics

Largest Supplier of Electrical and Electronic Components

Click to view similar products for [Crystals](#) category:

Click to view products by [Yangxing](#) manufacturer:

Other Similar products are found below :

[CS325S24000000ABJT](#) [718-13.2-1](#) [MC405 32.0000K-R3:PURE SN](#) [FC-135R 32.7680KF-A3](#) [7A-40.000MAAE-T](#) [7B-27.000MBBK-T](#)
[FL2000085](#) [9B-15.360MBBK-B](#) [9C-7.680MBBK-T](#) [ASH7K-32.768KHZ](#) [AT-41.600MAGQ-T](#) [BTD1062E05A-513](#) [LFX TAL066198Cutt](#)
[9C-14.31818MBBK-T](#) [FA-238 50.0000MB30X-K3](#) [FC-12M 32.7680KA-AC3](#) [SSPT7F-9PF20-R](#) [FX325BS-38.88EEM1201](#)
[LFX TAL065253Cutt](#) [LFX TAL066431Cutt](#) [XT9S20ANA14M7456](#) [XT9SNLANA16M](#) [646G-24-2](#) [7A-24.576MBBK-T](#) [7B-30.000MBBK-T](#)
[WX26-32.768K-6PF](#) [9B-14.31818MBBK-B](#) [CD1AM](#) [7B-25.000MAAE-T](#) [7A-14.31818MBBK-T](#) [6504-202-1501](#) [6526-202-1501](#) [FA-118T](#)
[27.1200MB50P-K0](#) [FC-135R 32.7680KA-A3](#) [ABM12-104-37.400MHZT](#) [ABLS-10.000MHZ-D3W-T](#) [BTJ112E01E-513](#) [BTJ722K01C-7067](#)
[BTL-20-513](#) [TSX-3225 24.0000MF15X-AC](#) [TSX-3225 16.0000MF18X-AC](#) [BTJ120E02C](#) [BTL-12-513](#) [7A-10.000MBBK-T](#) [7A-](#)
[11.0592MBBK-T](#) [ABM12-103-24.000MHZT](#) [CS325S25000000ABJT](#) [ABM3B-25.000MHZ-B2-X-T](#) [FC-135 32.7680KA-A5](#) [FX0800015](#)