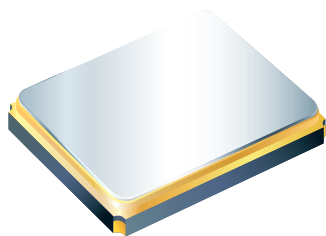




给您一颗快乐的“芯”！

# YSX1610SK



## Features

- External dimensions: 1.60 x 1.00 x 0.50 mm.
- Standard Frequency: 32.768KHz.
- Application for NB, Smart Phone, variety of compact portable consumer products reference clocks.

## Electrical Specifications

Item / Type	YSX1610SK
Standard Frequency	32.768KHz
Frequency Tolerance (at 25 °C)	± 20 ppm , or specify
Load Capacitance (CL)	12.5 pF, or specify
Parabolic Coefficient (B)	$(-0.03 \pm 0.01) * 10^{-6} / ^2$
Turnover Temperature (Ti)	25 ± 5
Operation Temperature Range	-40~+85
Shunt Capacitance (C0)	1.3pF typical
Motional Capacitance (C1)	7.5fF typical
Level Of Drive	0.1 μW
Frequency Aging (at 25 °C)	± 3 ppm / year Max.
Storage Temperature	-55 ~ +125 °C

## Equivalent Series Resistance(ESR)

YSX1610SK
90KΩMax.

## Dimensions

Units: mm



给您一颗快乐的“芯”！

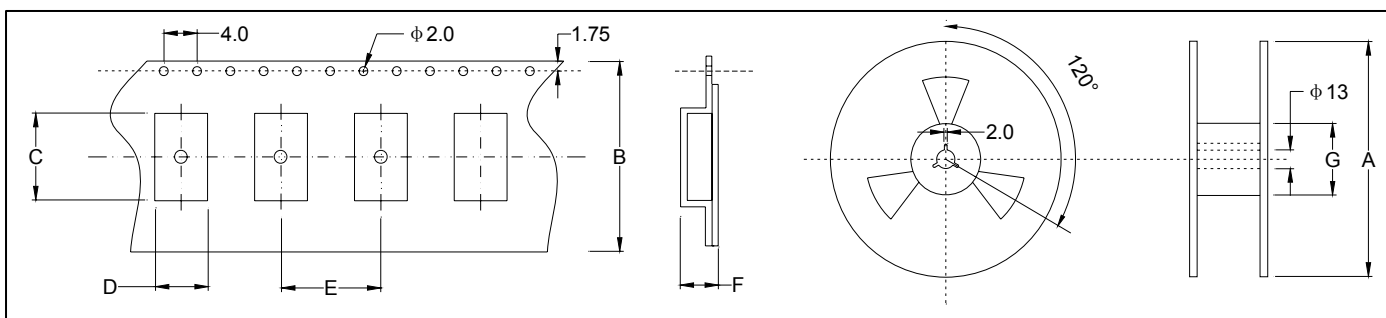
# YSX1610SK



★ PART NUMBER GUIDE 部件号示例 e.g. X161032768KGB2SI YSX1610SL=1.60×1.00 SMD SEAM TYPE

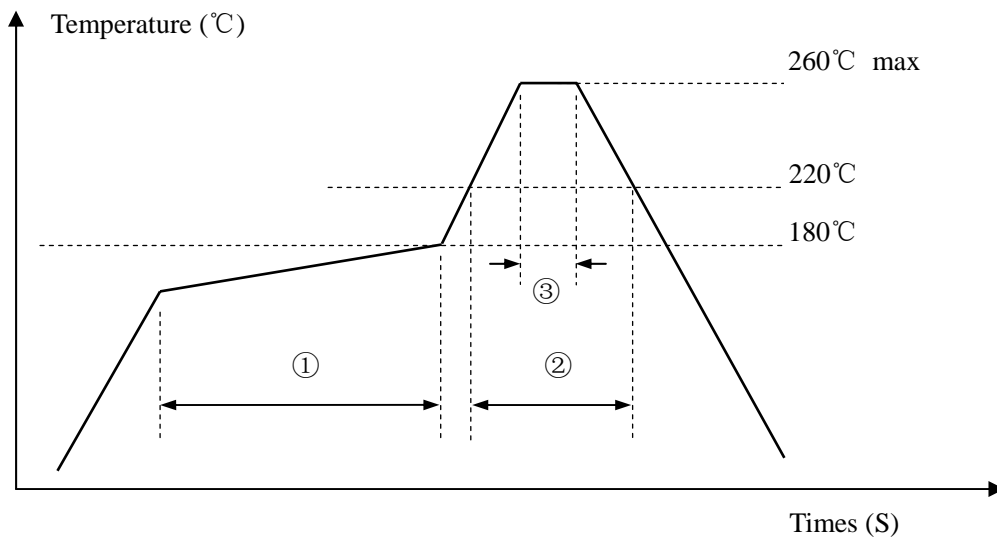
Quartz Crystal Resonator	Dimensions	Frequency (Hz)	Load Capacitance (Pf)	Frequency Stability Overall (ppm)	Pin	Material	Operating Temp. Range
X	1610	32.768K	G	B	2	S	I

★ TAPING SPECIFICATION (Unit: mm) 编带规格



	A	B	C	D	E	F	G
SMD2016	180±2.0	8.0±0.2	2.30±0.01	1.90±0.01	4.0±0.1	0.70±0.01	60.0±1.0
5000 pcs per reel							

★ REFLOW SOLDERING PROFILE 回流焊特性



Pb free reflow A	①	Preheat	170~180°C	120sec. max
	②	Primary heat	220°C	60sec. max
	③	Peak	260°C	10sec. max.

## X-ON Electronics

Largest Supplier of Electrical and Electronic Components

*Click to view similar products for [Crystals](#) category:*

*Click to view products by [Yangxing](#) manufacturer:*

Other Similar products are found below :

[CS325S24000000ABJT](#) [718-13.2-1](#) [MC405 32.0000K-R3:PURE SN](#) [FC-135R 32.7680KF-A3](#) [7A-40.000MAAE-T](#) [7B-27.000MBBK-T](#)  
[FL2000085](#) [9B-15.360MBBK-B](#) [9C-7.680MBBK-T](#) [ASH7K-32.768KHZ](#) [AT-41.600MAGQ-T](#) [BTD1062E05A-513](#) [LFX TAL066198Cutt](#)  
[9C-14.31818MBBK-T](#) [FA-238 50.0000MB30X-K3](#) [FC-12M 32.7680KA-AC3](#) [SSPT7F-9PF20-R](#) [FX325BS-38.88EEM1201](#)  
[LFX TAL065253Cutt](#) [LFX TAL066431Cutt](#) [XT9S20ANA14M7456](#) [XT9SNLANA16M](#) [646G-24-2](#) [7A-24.576MBBK-T](#) [7B-30.000MBBK-T](#)  
[WX26-32.768K-6PF](#) [9B-14.31818MBBK-B](#) [CD1AM](#) [7B-25.000MAAE-T](#) [7A-14.31818MBBK-T](#) [6504-202-1501](#) [6526-202-1501](#) [FA-118T](#)  
[27.1200MB50P-K0](#) [FC-135R 32.7680KA-A3](#) [ABM12-104-37.400MHZT](#) [ABLS-10.000MHZ-D3W-T](#) [BTJ112E01E-513](#) [BTJ722K01C-7067](#)  
[BTL-20-513](#) [TSX-3225 24.0000MF15X-AC](#) [TSX-3225 16.0000MF18X-AC](#) [BTJ120E02C](#) [BTL-12-513](#) [7A-10.000MBBK-T](#) [7A-](#)  
[11.0592MBBK-T](#) [ABM12-103-24.000MHZT](#) [CS325S25000000ABJT](#) [ABM3B-25.000MHZ-B2-X-T](#) [FC-135 32.7680KA-A5](#) [FX0800015](#)