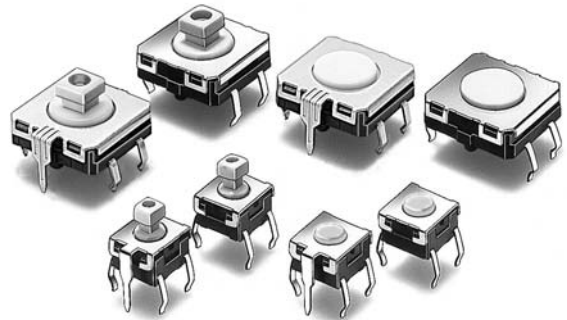


### Through-hole-mounting Switches That Are Mounting-compatible with B3F Series.

#### Sealed Structure for High Reliability



- Sealed construction conforming to IP67 (IEC-60529) provides high reliability in locations exposed to dust or water. (\* Excluding the terminal section.)
- Available in two sizes: 6 × 6 mm and 12 × 12 mm sizes.
- Ground terminal available to protect against static electricity.
- B32-series Key Tops mount to models with projected plungers.



RoHS Compliant



#### ■ List of Models

##### 6 × 6 mm Models

Type	Contact material	Plunger	Height	Operating force (OF)	Plunger color	Bags			
						Without ground terminal	Minimum packing unit	With ground terminal	Minimum packing unit
B3W-1000 Series	Silver plated	Flat type 	4.3 mm	1.57 N {160 gf} max.	White	B3W-1000	100 pcs	B3W-1100	100 pcs
				2.26 N {230 gf} max.	Yellow	B3W-1002		B3W-1102	
			5.0 mm	1.57 N {160 gf} max.	White	B3W-1020		---	
				2.26 N {230 gf} max.	Yellow	B3W-1022		---	
		Projected type 	7.3 mm	1.57 N {160 gf} max.	White	B3W-1050		B3W-1150	
				2.26 N {230 gf} max.	Yellow	B3W-1052		B3W-1152	

**Note:** Bulk Packaged, 100 switches per bag. Order in multiples of the package quantity.

##### 12 × 12 mm Models

Type	Contact material	Plunger	Height	Operating force (OF)	Plunger color	Bags			
						Without ground terminal	Minimum packing unit	With ground terminal	Minimum packing unit
B3W-4000 Series	Silver plated	Flat type 	4.3 mm	1.96 N {200 gf} max.	White	B3W-4000	100 pcs	B3W-4100	100 pcs
				3.43 N {350 gf} max.	Yellow	B3W-4005		B3W-4105	
		Projected type 	7.3 mm	1.96 N {200 gf} max.	White	B3W-4050		B3W-4150	
				3.43 N {350 gf} max.	Yellow	B3W-4055		B3W-4155	

**Note:** Bulk Packaged, 100 switches per bag. Order in multiples of the package quantity.

## ■ Ratings/Characteristics

Rating (resistive load)	1 to 50 mA, 3 to 24 VDC
Minimum applicable load (reference value)	10 $\mu$ A at 1 VDC (resistive load)
Ambient operating temperature	-25°C to +70°C at 60%RH max. (with no icing or condensation)
Ambient operating humidity	35% to 85% (at +5 to +35°C)
Contact form	SPST-NO
Contact resistance (initial value)	100 m $\Omega$ max.
Insulation resistance	100 M $\Omega$ min. (at 250 VDC with insulation tester)
Dielectric strength	500 VAC, 50/60 Hz for 1 min
Bounce time	5 ms max.
Vibration resistance	Malfunction: 10 to 55 Hz, 1.5 mm double amplitude
Shock resistance	Destruction: 1,000 m/s <sup>2</sup> {approx. 100 G} max. Malfunction: 100 m/s <sup>2</sup> {approx. 10 G} max.
Durability	B3W-1000: 1.57 N (standard force):1,000,000 operations min. 2.26 N (high-force):300,000 operations min. B3W-4000: 1.96 N (standard force):3,000,000 operations min. 3.43 N (high-force):1,000,000 operations min.
Weight	6 $\times$ 6 mm: approx. 0.3 g, 12 $\times$ 12 mm: approx. 1 g
Degree of protection	IEC IP67
Washing	Possible

## ■ Operating Characteristics

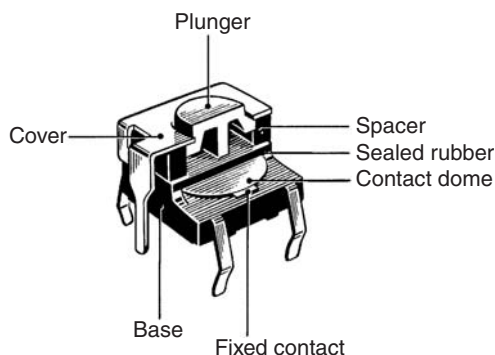
### 6 $\times$ 6 mm Models

Item	Type Operating force (OF) Model	B3W-1000 series	
		1.57 N	2.26 N
Operating force (OF)		B3W-1□□0	B3W-1□□2
Operating force (OF)		1.57 N {160 gf} max.	2.26 N {230 gf} max.
Releasing force (RF)		0.2 N {20 gf} min.	0.49 N {50 gf} min.
Pretravel (PT)		0.25 <sup>+0.2</sup> / <sub>-0.1</sub> mm	

### 12 $\times$ 12 mm Models

Item	Type Operating force (OF) Model	B3W-4000 series	
		1.96 N	3.43 N
Operating force (OF)		B3W-4□□0	B3W-4□□5
Operating force (OF)		1.96 N {200 gf} max.	3.43 N {350 gf} max.
Releasing force (RF)		0.29 N {30 gf} min.	0.49 N {50 gf} min.
Pretravel (PT)		0.3 <sup>+0.2</sup> / <sub>-0.1</sub> mm	

## ■ Model Structure



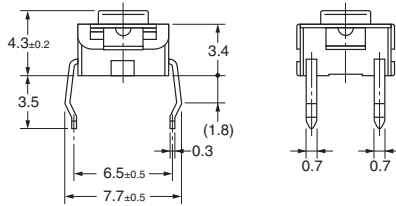
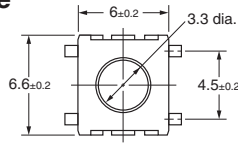
■ Dimensions (Unit: mm)

**Note:** The numbers used for terminals in the following graphics are indicated in the "Bottom View" diagram below. In this diagram, the Switch is rotated so that the terminals are on the right and left-hand sides, and the OMRON logo appears the right way up.

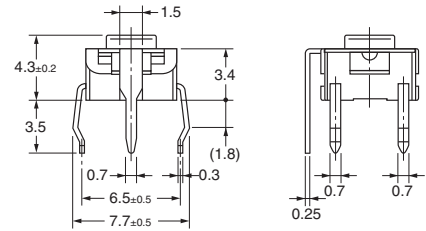
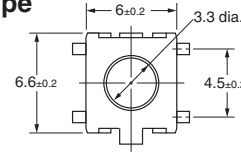


■ 6 × 6 mm Models

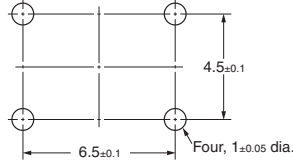
**Flat Plunger Type  
(without Ground  
Terminal)**  
B3W-1000  
B3W-1002



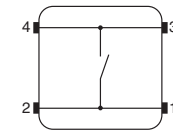
**Flat Plunger Type  
(with Ground  
Terminal)**  
B3W-1100  
B3W-1102



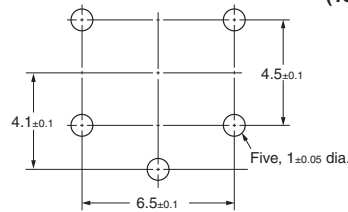
**PCB Processing Dimensions  
(Reference Only) (Top View)**  
(PCB thickness, t=1.6)



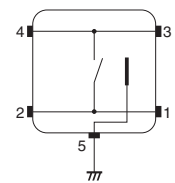
**Terminal Arrangement  
/Internal Connections  
(Top View)**



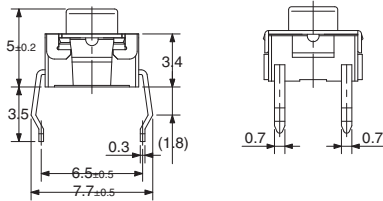
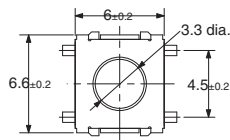
**PCB Processing Dimensions  
(Reference Only) (Top View)**  
(PCB thickness, t=1.6)



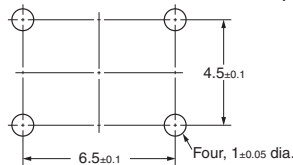
**Terminal Arrangement  
/Internal Connections  
(Top View)**



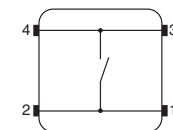
**Flat Plunger Type  
(without Ground  
Terminal)**  
B3W-1020  
B3W-1022



**PCB Processing Dimensions  
(Reference Only) (Top View)**  
(PCB thickness, t=1.6)



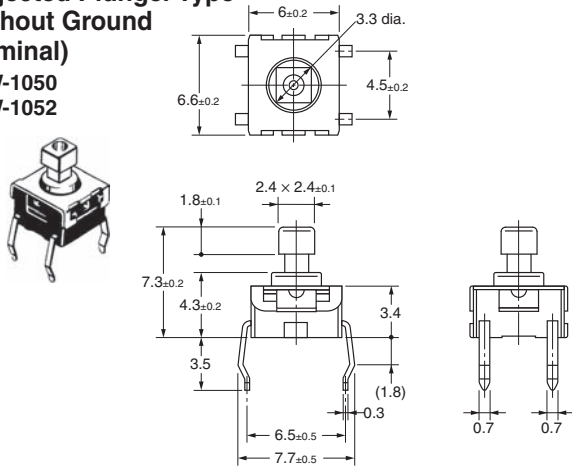
**Terminal Arrangement  
/Internal Connections  
(Top View)**



**Note:** Unless otherwise specified, a tolerance of ±0.4 mm applies to all dimensions. No terminal numbers are indicated on the Switches.

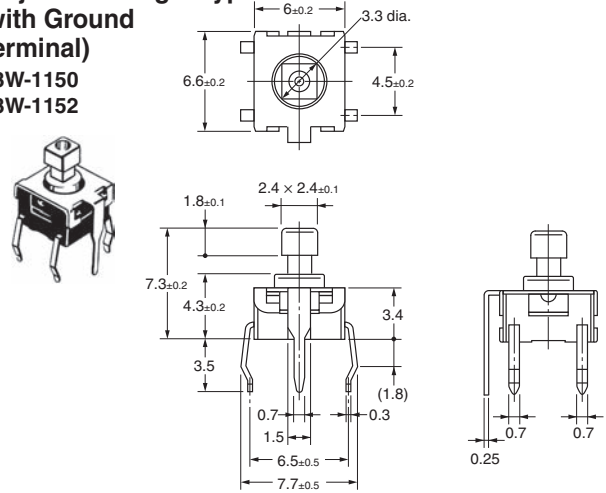
**Projected Plunger Type  
(without Ground Terminal)**

B3W-1050  
B3W-1052

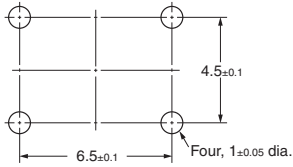


**Projected Plunger Type  
(with Ground Terminal)**

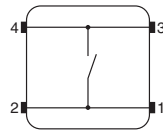
B3W-1150  
B3W-1152



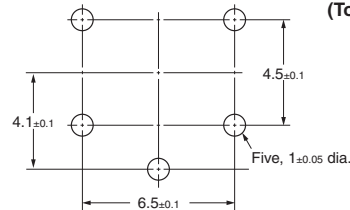
**PCB Processing Dimensions  
(Reference Only) (Top View)  
(PCB thickness, t=1.6)**



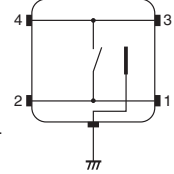
**Terminal Arrangement  
/Internal Connections  
(Top View)**



**PCB Processing Dimensions  
(Reference Only) (Top View)  
(PCB thickness, t=1.6)**



**Terminal Arrangement  
/Internal Connections  
(Top View)**

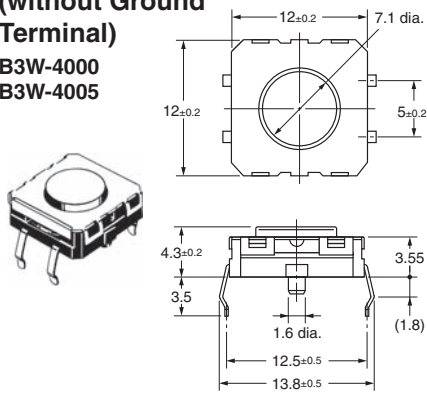


**Note:** Unless otherwise specified, a tolerance of  $\pm 0.4$  mm applies to all dimensions. No terminal numbers are indicated on the Switches.

■ 12 × 12 mm Models

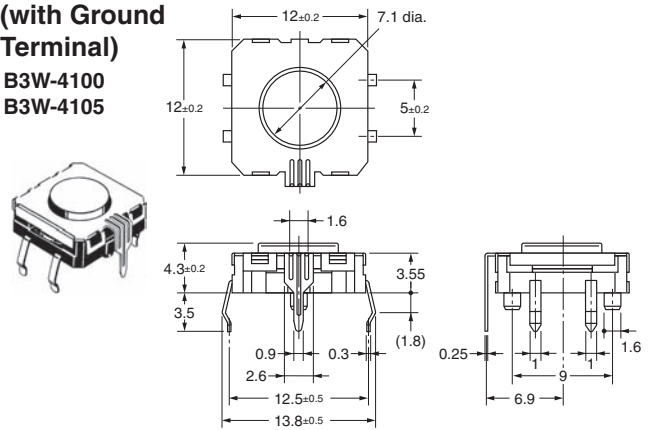
**Flat Plunger Type  
(without Ground Terminal)**

B3W-4000  
B3W-4005

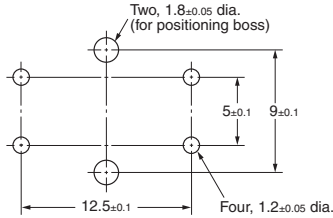


**Flat Plunger Type  
(with Ground Terminal)**

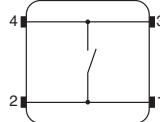
B3W-4100  
B3W-4105



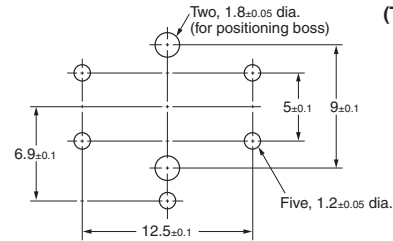
**PCB Processing Dimensions  
(Reference Only) (Top View)  
(PCB thickness, t=1.6)**



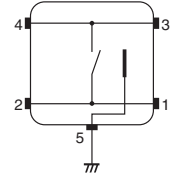
**Terminal Arrangement  
/Internal Connections  
(Top View)**



**PCB Processing Dimensions  
(Reference Only) (Top View)  
(PCB thickness, t=1.6)**

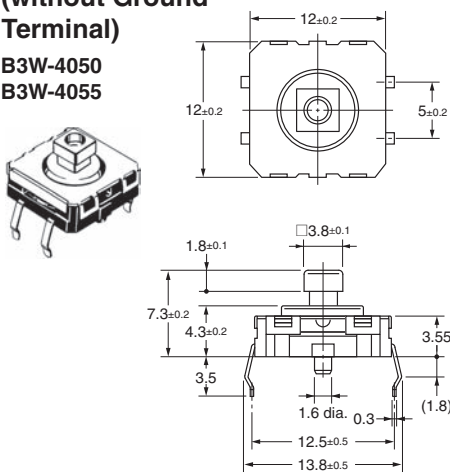


**Terminal Arrangement  
/Internal Connections  
(Top View)**



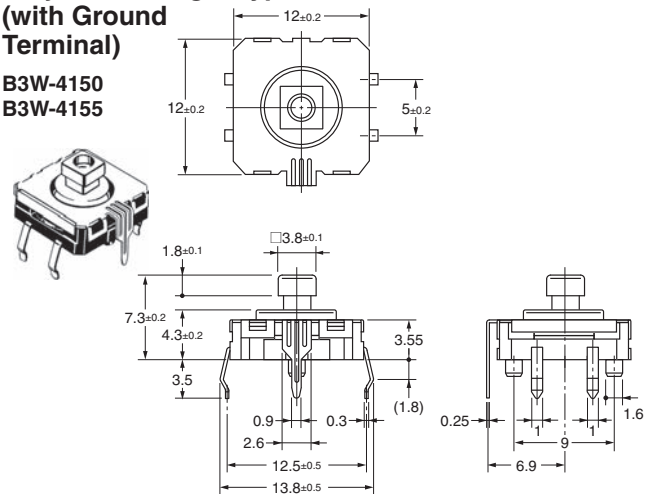
**Projected Plunger Type  
(without Ground Terminal)**

B3W-4050  
B3W-4055

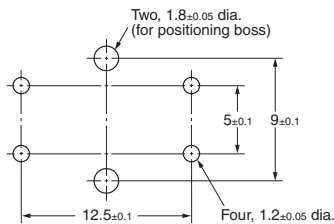


**Projected Plunger Type  
(with Ground Terminal)**

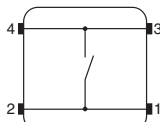
B3W-4150  
B3W-4155



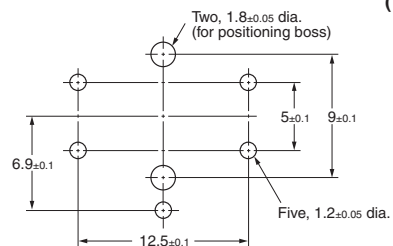
**PCB Processing Dimensions  
(Reference Only) (Top View)  
(PCB thickness, t=1.6)**



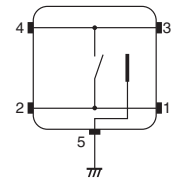
**Terminal Arrangement  
/Internal Connections  
(Top View)**



**PCB Processing Dimensions  
(Reference Only) (Top View)  
(PCB thickness, t=1.6)**



**Terminal Arrangement  
/Internal Connections  
(Top View)**



**Note:** Unless otherwise specified, a tolerance of ±0.4 mm applies to all dimensions.

## ■ Key Tops

B32-series Key Tops are available for projected plungers. Refer to the datasheet for the B32 for details.

## ■ Precautions

Be sure to read the safety precautions common to all Tactile Switches for correct use.

- Application examples provided in this document are for reference only. In actual applications, confirm equipment functions and safety before using the product.
- Consult your OMRON representative before using the product under conditions which are not described in the manual or applying the product to nuclear control systems, railroad systems, aviation systems, vehicles, combustion systems, medical equipment, amusement machines, safety equipment, and other systems or equipment that may have a serious influence on lives and property if used improperly. Make sure that the ratings and performance characteristics of the product provide a margin of safety for the system or equipment, and be sure to provide the system or equipment with double safety mechanisms.

**Note: Do not use this document to operate the Unit.**

**OMRON Corporation**  
Electronic and Mechanical Components Company

Contact: [www.omron.com/ecb](http://www.omron.com/ecb)

Cat. No. A075-E1-07  
1014(0207)(O)

## X-ON Electronics

Largest Supplier of Electrical and Electronic Components

*Click to view similar products for [Tactile Switches](#) category:*

*Click to view products by [Omron](#) manufacturer:*

Other Similar products are found below :

[KMR633NG LFG](#) [5GTH92001](#) [5GTH9202242](#) [6426-201-11343](#) [MJ1226](#) [MJTP1109B](#) [MJTP1138EAUTR](#) [MJTP1230BL](#) [MJTPSHW](#)  
[GS6.90F300QP](#) [1-1977223-0](#) [1-1977120-4](#) [ADTSA62NV](#) [ADTSA62RV](#) [ADTSA63KV](#) [ADTSA644NV](#) [ADTSM24NVTR](#) [ADTSMW66NV](#)  
[ADTSMW67RV](#) [ATM533VTR](#) [1571300-3](#) [B3F-3123](#) [B3F-6055A](#) [B3F-B32-01-KIT](#) [1977177-8](#) [1977266-1](#) [2-1977223-4](#) [2-1977223-7](#)  
[ADTS644KV](#) [ADTSA61RV](#) [ADTSA62KV](#) [ADTSA63NV](#) [ADTSA63RV](#) [ADTSA65NV](#) [ADTSM21NSVTR](#) [ADTSM25RVTR](#)  
[ADTSM31RVTR](#) [ADTSM32NVTR](#) [ADTSM61YVTR](#) [ADTSM63SVTR](#) [ADTSM644KVTR](#) [ADTSMW64RV](#) [ADTSMW69NV](#)  
[FSMRA4JHA04](#) [GS4.70F300QP](#) [D38999/20JJ37SA](#) [TL1105B](#) [TL1105J](#) [ATH447K2Q](#) [ATM534VTR](#)