



承認書

SPECIFICATION FOR APPROVAL

客戶名稱及編號:

K4625

CUSTOMER:

產品名稱:

ROCKER AND LEVER HANDLE

DESCRIPTION:

SWITCH

產品型號:

MR-1-102-A03-0003-RS

MODEL NO:

本司料號:

LS00101ZUR

OUR PART NO:

客戶料號:

C312273

CUSTOMER PART NO:

承認書編號:

YF-ENG-F-30112

SPECIFICATION NO:

日期:

2019-03-01

DATE:

WRITTEN 制定:

APPROVAL 審核:

承認書附頁：圖紙,規格書

承認欄

CUSTOMER APPROVAL SIGNATURE

MODEL NO.:

APPROVED NO.:

PART NO.:

DATE:



源丰电子公司

Yuenfung Ec Company

深圳市寶安區福永鎮第一工業區 24 棟
Tel:0755-33809280~3 Fax:0755-33809285



Yuenfung Ec Company

源丰电子公司

SPECIFICATION 规格书		承认书编号	YF-ENG-F-30112
		版 本	A/0
		页 次	第1页 共3页
		发布日期	2014-12-8
WRITTEN 制定	雷艳平	审 核	
		APP'D审批	
MODEL/SERIES/NAME 系列名称:		ROCKER AND LEVER HANDLE SWITCH	
MODEL NO 产品型号:		SR-1-102-C03-0003-RS	
1.RATING 额定值:		3A 250V AC 1.5A 125V AC	
2.FFUNCTION 接触型式:			
3. ELECTRICAL FEATURES:		ON-ON	
4.ELECTRICAL CHARACTERISTICS 电气性能规格:			
ITEM 项目		TEST CONDITIONS 测试条件	PERFORMANCE 表现
4.1	CONTACT RESISTANCE 接触电阻	MEASURED AT SMALL CURRENT(100mA OR LESS)1000Hz 在微小电流(100mA)以下测试.	50mΩ MAX 50毫欧以下
4.2	INSULATION RESISTANCE 绝缘电阻	APPLY A VOL TAGE OF 500V DC FOR 1 MIN.TO FOLLOWING PORTIONS AFTER WHICH MEASUREMENT SHALL BE MADE: (1)BETWEEN BODY AND CONDUCTOR. (2)BETWEEN CONDUCTORS NOT TO BE CONTACT. 输入100V DC电压1分钟,按以下接触方法测试: (1)接触端子之间. (2)塑胶体与端子之间.	100MΩ MIN 100兆欧以上
4.3	DIELECTRIC STRENGTH 耐电压	AC1500V ims(50-60Hz)FOR 1 MIN : (1)BETWEEN TERMINALS. (2)BETWEEN INDIVIDUAL TERMINALS AND FRAME. 输入AC1500V (50-60Hz)电压1分钟,按以下接触方法测试: (1)接触端子之间.(2)塑胶体与端子之间.	NO DAMAGE TO PARTS ARCING,OR BREAKDOWN ETC. 没有绝缘破坏等异常.
5	PRACTICAL TEMPERATURE RANGE 使用温度范围	AT-16°C~+85°C 在-16°C~+85°C温度内使用	
6	STANDARD ATMOSPHEIC CONDITIONS 测试标准状态	UNLESS OTHERWISE SPECIFIED. THE STANDARD RANGE OF ATMOSPHERIC CONDITIONS FOR MAKING MEASUREMENTS AS FOLLOWS: (1)AMBIENT TEMPERATURE:5°C TO 35°C. (2)RELATIVE HUMIDITY:45% TO 85%. 在没有指定的情况下测试温度,湿度如下: (1)温度为5°C-35°C.(2)湿度为45%-85%.	
6.1	STORE THE PERIOD 储存期	TEMPERATUER: 0°C~30°C 温度: 0°C~30°C DEGREE OF HUMIDITY	THREE MONTH 三个月



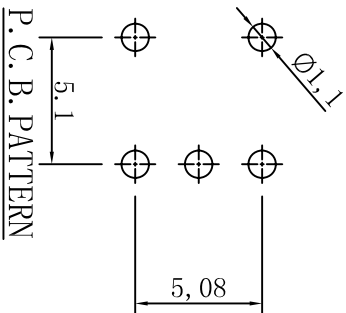
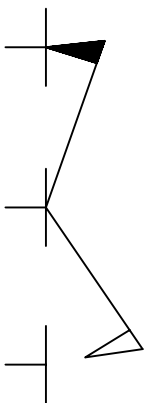
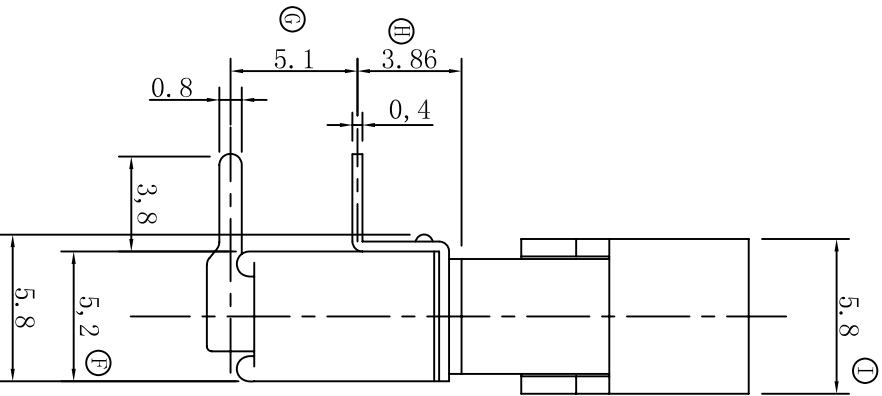
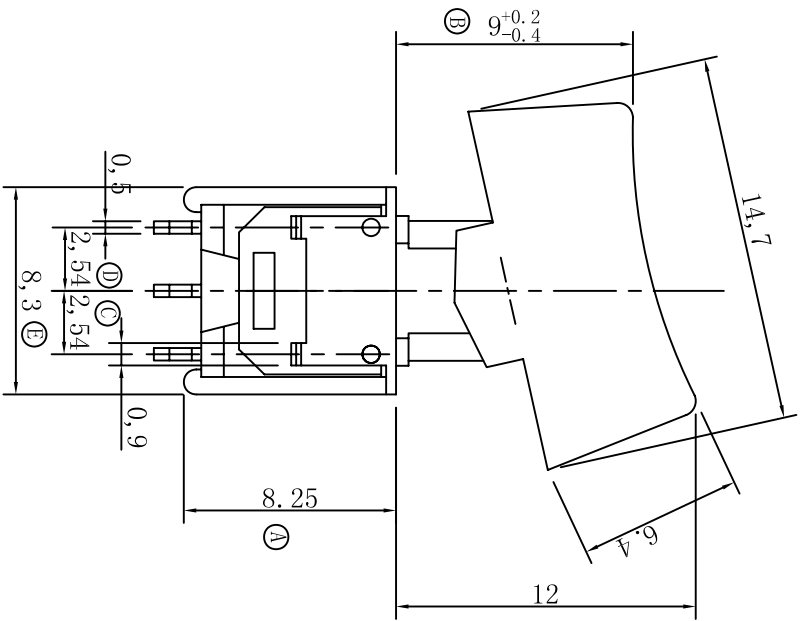
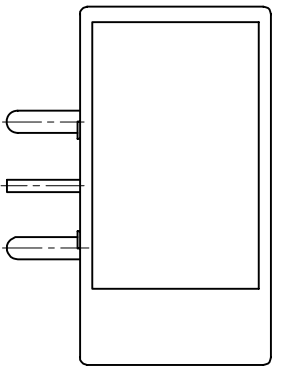
SPECIFICATION 规格书		承认书编号	YF-ENG-F-30112
		版 本	A/0
		页 次	第2页 共3页
		发布日期	2014-12-8
WRITTEN 制定	雷艳平	审 核	
		APP'D审批	
ITEM项目	TEST CONDITIONS 测试条件		PERFORMANCE 表现
7.1	OPERATION FORCE 动作力		500±150gf
7.1	TERMINAL STRENGTH 端子强度	A STATIC LOAD OF 300gf SHALL BE APPLIED TO THE TIP OF THE TERMINAL FOR 1 MIN, IN ANY DIRECTION 在任意一个方向的先端加上300gf力度测试,时间为1分钟.	ELECTRICAL CHARACTERISTICS SHALL BE SATISFIED WITHOUT DAMAGE OR EXCESSIVE LOOSENESS OF TERMINALS 在排脚中没有裂开,松动等异常,满足于机械,电器性能.
7.2	LIFE TEST 寿命测试	1.ENDURANCE WITHOUT LOADING: THE TEST SHOULD BE TAKEN AT A SPEED OF 6-8 CYCLES FOR 1 MIN; 1.5 TIMES OF THE STANDARD FORCE 无负荷:每分钟6-8回速度测试压力不得超过标准力度1.5倍.进行测试 2.ENDURANCE WITH LOADING: THE TEST SHOULD BE TAKEN AT A SPEED OF 6-8 CYCLES FOR 1 MIN; OPERATE PRESSURE SHOULD BE UNDER THE 1.5 TIMES OF THE STANDARD FORCE 负荷:在负荷的条件下以每分钟6-8回的速度压力不得超过标准力度1.5倍.进行测试	(1). 20,000 CYCLES CONTACT AT WITHOUT LOADING. 在无负荷下 20,000次接触 (2). 10,000 CYCLES MECHANICAL AND ELECTRICAL CHARACTERISTICS SHALL BE SATISFIED 10,000次满足于机械, 电器性能;
8. DURABILITY 耐久性:			
ITEM项目	TEST CONDITIONS 测试条件		PERFORMANCE 表现
8.1	SOLDERABILITY TEST 可焊性试验	THE TOP OF THE TERMINALS SHALL BE DIPPED 2mm IN THE SOLDER BATH OF 230±10°C FOR 3±0.5 SECONDS. 端子顶部被浸入锡焊池中2mm深,浓度为230±10°C,时间为3±0.5秒.	THE AREA OF SOLDERING, SHOULD BE OVER 75%. 焊接面积要有75%以上.
8.2	RESISTANCE TO SOLDERING HEAT TEST 耐焊性试验	SOLDER BATH METHOD: SOLDER TEMPERATURE 260±5°C, IMMERSION TIME 3±0.5 SEC, IMMERSION DEPTH UP TO THE SURFACE OF THE BOARD, DIMENSIONS OF COMPONENT HOLES IN THE PRINTED WIRING BOARD SHALL BE IN ACCORDANCE WITH THOSE SPECIFIED IN THIS SPECIFICATION. 焊炉(波峰焊)焊接的时候温度控制在260±5°C,过炉时间3±0.5秒. 手焊接的时候温度控制在360°C ± 5°C, 时间为3±0.5秒	WITHOUT DEFORMATION OF CASE OR EXCESSIVE LOOSENESS OF TERMINALS ELECTRICAL CHARACTERISTICS SHALL BE SATISFIED. 本体无变形,能满足于机械,电器性能.



Yuenfung Ec Company

源丰电子公司

SPECIFICATION 规格书		承认书编号	YF-ENG-F-30112
		版 本	A/0
		页 次	第3页 共3页
		发布日期	2014-12-8
WRITTEN 制定	雷艳平	审 核	
		APP'D审批	
8.3	HEAT TEST 耐热试验	<p>THE SWITCH SHALL BE STORED AT A TEMPERATURE OF 85±2 °C FOR 96 HOURS.THEN THE SWITCH SHALLBE MAINTAINED AT STANDARD ATMOSPHERICCONDITION FOR 1 HOUR AFTER WHICHMEASUREMENT SHALL BE MADE.</p> <p>放置在温度85±2℃中测试96小时后,再放置正常室温中1小时来测定.</p>	THERE SHALL BE NO DEFORMATION OR CRACKSINMOLDED PART 外观无异常,满足于机械,电器性能.
8.4	COLD TEST 耐冷试验	<p>THE SWITCH SHALL BE STORED AT A TEMPERATURE OF -20±30℃ FOR 96 HOURS, THEN THE SWITCH SHALL BE MAINTAINED AT STANDARD ATMOSPHERIC CONDITION FOR 1 HOUR AFTER WHICH MEASUREMENT SHALL BE MADE.</p> <p>放置在温度-20+3℃中96小时后, 再放置常温中1小时来进行测试.</p>	
8.5	HUMIDITY TEST 潮湿试验	<p>THE SWITCH SHALL BE STORED AT A TEMPERATURE OF 40±2 °C AND A HUMIDITY OF 90% TO95% FOR 96 HOURS.THEN THE SWITCH SHALL BE MAINTAINED AT STANDARD ATMOSPHERE CONDITION FOR 1 HOUR AFTER WHICH MEASUREMENT SHALL BE MADE.</p> <p>放置40±2℃试验的相对湿度为90%-95%环境中96小时后,再将样板放在正常环境1小时后进行测试.</p>	



自由公差	
类别	公差
区分	±0.10
0	<0.5
0.50	<5
5.0	<10
10.0	<20
20.0	<50
未标注取角	R0.2
未标注角度公差	±1°

REV	DESCRIPTION	DESIGNER	DATE

SCALE	1:1	UNIT	mm
APVD		DATE	2016.3.3
CKD	雷艳平	DWN	徐耀飞
SPECIFICATION NO.	YF-ENG-F-30112		
DESCRIPTION:	ROCKER AND LEVER HANDLE SWITCH		
MODEL NO.	SR-1-102-C03-0003-RS		
PART No.	LS001012UR		

NO	NAME	MATERIAL	QTY	FINISHING	NO	NAME	MATERIAL	QTY	FINISHING
1	按钮	PA66	1	黑色	6	铁夹	不锈钢	1	本色
2	手柄	黄铜	1	镀镍	7	底座	PPA	1	红色
3	压簧	碳钢	1	本色	8	摆杆	铁	1	镀镍
4	轴套	黄铜	1	镀镍	9	滑块	PA46	1	黑色
5	定位片	黄铜	1	镀光锡	10	端子	黄铜	3	镀银

注: A~D 为重点检测尺寸

X-ON Electronics

Largest Supplier of Electrical and Electronic Components

Click to view similar products for [Rocker Switches](#) category:

Click to view products by [YUEN FUNG](#) manufacturer:

Other Similar products are found below :

[VKD2GHNB-00000-000](#) [VSD2GNNB-00000-000](#) [6-1571986-5](#) [6-1571986-9](#) [632422-4B-KD](#) [7036WWCDBX653+U622](#) [8055K52Z7V](#)
[8138K20E6M50](#) [FMC18A2200002](#) [84206L](#) [84312LX](#) [PREDD4-07F-BB0FW](#) [PREDD5-07F-BB0GW](#) [PRFDD1-16F-BB000](#) [PRFDD3-16F-](#)
[BB000](#) [1-1634201-0](#) [999-16702-001](#) [A101J2ZQ004](#) [A101J4ZQ004](#) [A101J51CB0004](#) [A107J51ZQ0004](#) [A201J1AQ004](#) [A201J1AV2Q004](#)
[A201J3ZB004](#) [A201J50ZQ004](#) [A203J51ZQ0004](#) [A226L11YZQ](#) [A22L11A](#) [A435S1YZQ](#) [H8500XBBBBL-A](#) [H8653VBBG2577W](#)
[HB130CHNWWNAAC](#) [1251.0303](#) [AE205J60V3B004](#) [RH110C2NBB](#) [1352.0107](#) [1363.0201](#) [AML25GBF2AA03GR](#) [1571099-3](#) [1571987-4](#)
[1571987-5](#) [1571989-7](#) [B123J77V7B2](#) [B226J50W4Q22P](#) [B433J37ZQ22M](#) [160212E](#) [1801.1164](#) [1831.1102](#) [1833.3402](#) [1837.1118](#)