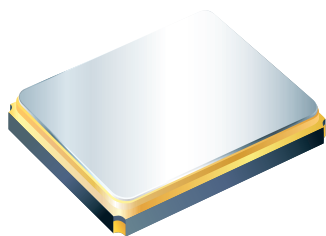




给您一颗快乐的“芯”！

YSX1610SK



Features

- External dimensions: 1.60 x 1.00 x 0.50 mm.
- Standard Frequency: 32.768KHz.
- Application for NB, Smart Phone, variety of compact portable consumer products reference clocks.

Electrical Specifications

| Item / Type | YSX1610SK |
|-----------------------------|-----------------------------------|
| Standard Frequency | 32.768KHz |
| Tolerance(at 25 °C) | ± 20 ppm , or specify |
| Load Capacitance (CL) | 12.5 pF, or specify |
| Parabolic Coefficient (B) | $(-0.03 \pm 0.01) * 10^{-6} / ^2$ |
| Turnover Temperature (Ti) | 25 ± 5 |
| Operation Temperature Range | -40~+85 |
| Shunt Capacitance (C0) | 1.3pF typical |
| Motional Capacitance (C1) | 7.5fF typical |
| Level Of Drive | 0.1 μW |
| Frequency Aging (at 25 °C) | ± 3 ppm / year Max. |
| Storage Temperature | -55 ~ +125 °C |

Equivalent Series Resistance(ESR)

| YSX1610SK |
|-----------|
| 90KΩMax. |

Dimensions

Units: mm



给您一颗快乐的“芯”！

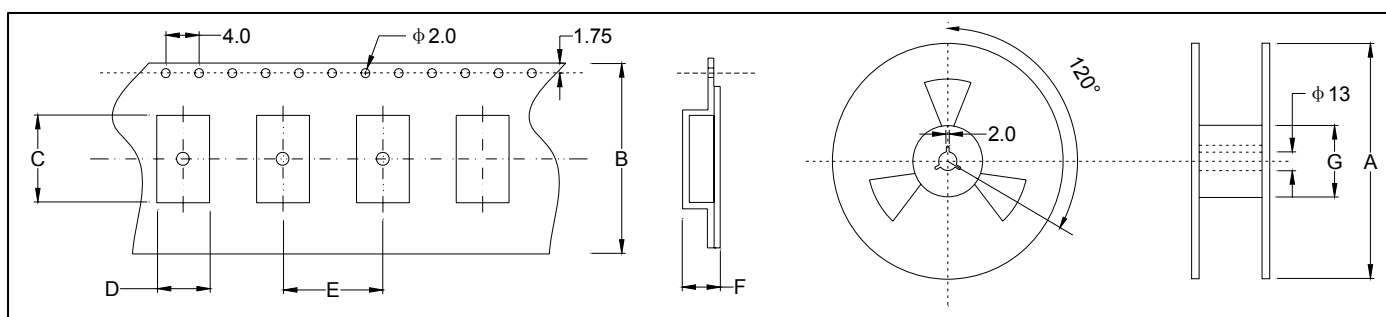
YSX1610SK



★ PART NUMBER GUIDE 部件号示例 e.g. X161032768KGB2SI YSX1610SL=1.60×1.00 SMD SEAM TYPE

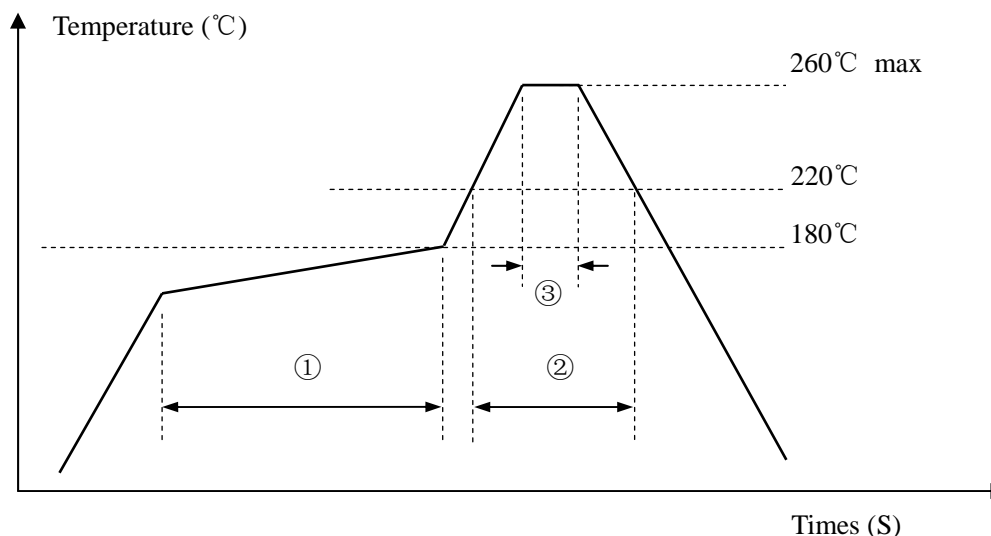
| Quartz Crystal Resonator | Dimensions | Frequency (Hz) | Load Capacitance (Pf) | Frequency Stability Overall (ppm) | Pin | Material | Operating Temp. Range |
|--------------------------|------------|----------------|-----------------------|-----------------------------------|-----|----------|-----------------------|
| X | 1610 | 32.768K | G | B | 2 | S | I |

★ TAPING SPECIFICATION (Unit: mm) 编带规格



| | A | B | C | D | E | F | G |
|-------------------|---------|---------|-----------|-----------|---------|-----------|----------|
| SMD2016 | 180±2.0 | 8.0±0.2 | 2.30±0.01 | 1.90±0.01 | 4.0±0.1 | 0.70±0.01 | 60.0±1.0 |
| 5000 pcs per reel | | | | | | | |

★ REFLOW SOLDERING PROFILE 回流焊特性



| | | | | |
|---------------------|---|--------------|-----------|-------------|
| Pb free reflow A | ① | Preheat | 170~180°C | 120sec. max |
| | ② | Primary heat | 220°C | 60sec. max |
| | ③ | Peak | 260°C | 10sec. max. |

X-ON Electronics

Largest Supplier of Electrical and Electronic Components

Click to view similar products for [Crystals](#) category:

Click to view products by [Yangxing](#) manufacturer:

Other Similar products are found below :

[CS325S24000000ABJT](#) [718-13.2-1](#) [MC405 32.0000K-R3:PURE SN](#) [FC-135R 32.7680KF-A3](#) [7A-40.000MAAE-T](#) [7B-27.000MBBK-T](#)
[FL2000085](#) [9B-15.360MBBK-B](#) [9C-7.680MBBK-T](#) [ASH7K-32.768KHZ](#) [AT-41.600MAGQ-T](#) [BTD1062E05A-513](#) [LFX TAL066198Cutt](#)
[9C-14.31818MBBK-T](#) [FA-238 50.0000MB30X-K3](#) [FC-12M 32.7680KA-AC3](#) [SSPT7F-9PF20-R](#) [FX325BS-38.88EEM1201](#)
[LFX TAL065253Cutt](#) [LFX TAL066431Cutt](#) [XT9S20ANA14M7456](#) [XT9SNLANA16M](#) [646G-24-2](#) [7A-24.576MBBK-T](#) [7B-30.000MBBK-T](#)
[WX26-32.768K-6PF](#) [9B-14.31818MBBK-B](#) [CD1AM](#) [7B-25.000MAAE-T](#) [7A-14.31818MBBK-T](#) [6504-202-1501](#) [6526-202-1501](#) [FA-118T](#)
[27.1200MB50P-K0](#) [FC-135R 32.7680KA-A3](#) [ABM12-104-37.400MHZT](#) [ABLS-10.000MHZ-D3W-T](#) [BTJ112E01E-513](#) [BTJ722K01C-7067](#)
[BTL-20-513](#) [TSX-3225 24.0000MF15X-AC](#) [TSX-3225 16.0000MF18X-AC](#) [BTJ120E02C](#) [BTL-12-513](#) [7A-10.000MBBK-T](#) [7A-](#)
[11.0592MBBK-T](#) [ABM12-103-24.000MHZT](#) [CS325S25000000ABJT](#) [ABM3B-25.000MHZ-B2-X-T](#) [FC-135 32.7680KA-A5](#) [FX0800015](#)