

LT3021
Tripolar Overvoltage Protection for Network Interfaces

Revision:B

General Description

The LT3021 is a low capacitance transient surge arrestor designed for protection of high debit rate communication network. Its low capacitance avoids distortion of the signal as it has been designed for T1/E1 and Ethernet networks.

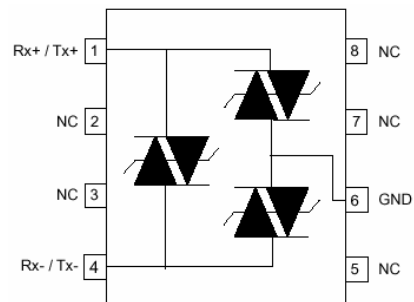
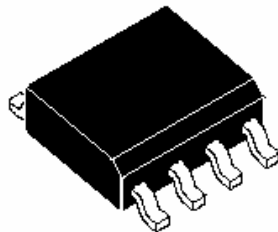
Applications

Dedicated to dataline protection, this device provides a tripolar protection function. It ensure the same protection capability with the same breakdown voltage in both common and differential modes.

Features

- Tripolar crowbar protection
- Low capacitance
- Repetitive peak pulse current:
I_{pp}=30A (10/1000μs)
- Low holding current: I_H=30mA

SO-8



Electrical Parameter

Symbol	Parameter
V _{DRM}	Stand-off voltage
I _{DRM}	Leakage current V _{DRM}
V _{BR}	Continuous reverse voltage
V _{BO}	Breakover voltage
I _H	Holding current
I _{BO}	Breakover current
I _{pp}	Peak pulse current
C	Capacitance

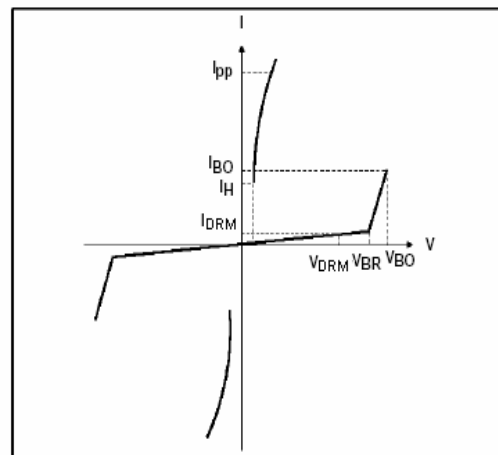
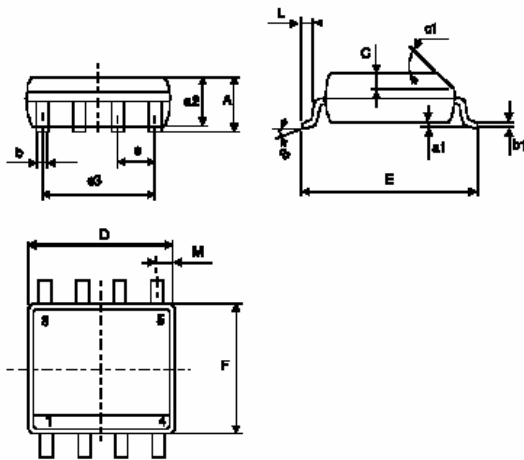


Fig1. LT3021 Characteristic Curve

Electrical Characteristics (Tamb=25°C)

V_{DRM}	I_{DRM}	V_{BO}	I_{BO}	V_T	I_T	I_H	Co	Ipp (10/1000us)
Max.		Max.	Max.	Max.	Max.	Min.	Max.	
V	uA	V	mA	V	A	mA	pF	A
28	10	38	300	5	1	30	25	30

SO-8 MECHANICAL DATA



REF.	DIMENSIONS					
	Millimetres			Inches		
	Min.	Typ.	Max.	Min.	Typ.	Max.
A			1.75			0.069
a1	0.1		0.25	0.004		0.010
a2			1.65			0.065
b	0.35		0.48	0.014		0.019
b1	0.19		0.25	0.007		0.010
C		0.50			0.020	
c1	45° (typ)					
D	4.8		5.0	0.189		0.197
E	5.8		6.2	0.228		0.244
e		1.27			0.050	
e3		3.81			0.150	
F	3.8		4.0	0.15		0.157
L	0.4		1.27	0.016		0.050
M			0.6			0.024
S	8° (max)					

The SINO-IC logo is a registered trademark of Shanghai Sino-IC Microelectronics Co., Ltd.
 © 2005 SINO-IC – Printed in China – All rights reserved.

SHANGHAI SINO-IC MICROELECTRONICS CO., LTD

Add: Building 3, Room 3401-03, No.200 Zhangheng Road, ZhangJiang Hi-Tech Park, Pudong, Shanghai 201203, China

Phone: +86-21-33932402 33932403 33932405 33933508 33933608

Fax: +86-21-33932401

Email: webmaster@sino-ic.com

Website: <http://www.sino-ic.com>

X-ON Electronics

Largest Supplier of Electrical and Electronic Components

Click to view similar products for [Gas Discharge Tubes - GDTs / Gas Plasma Arrestors](#) category:

Click to view products by [SINO-IC](#) manufacturer:

Other Similar products are found below :

[M51-A90X](#) [PMT1023004](#) [PMT1040004](#) [CG2800](#) [GTCR37-231M-R10](#) [WPGT-2N145B6L](#) [WPGT-2N230B6L](#) [WPGT-2N470B6L](#) [WPGT-2RM230A6L](#) [WPGT-2RM350A6L](#) [WPGT-2RM70A6L](#) [WPGT-2RM90A6L](#) [WPGT-2S145](#) [WPGT-2S350](#) [WPGT-2S470](#) [WPGT-3R350CF](#) [WPGT-3R350G1](#) [WPGT-3R90G1](#) [WPGT-3R75G1](#) [WPGT-3R470G1](#) [WPGT-3R250C](#) [WPGT-3R230G1](#) [WPGT-2S230](#) [WPGT-2RM145A6L](#) [WPGT-2R1000B8L](#) [WPGT-2N70B6L](#) [WPGT-2N350B6L](#) [WPGT-2N230B6L1](#) [CG2145](#) [T61-C350X](#) [9071.99.0547 \(73_Z-0-0-547\)](#) [B88069X6940B152](#) [RF1219-000](#) [A9L16618](#) [RF2339-000](#) [9071.99.0052\(73_Z-0-0-52\)](#) [9071.99.0054](#) [CG32.7L](#) [CG6400SM](#) [CG6470SM](#) [CG7250MS](#) [CG7400MS](#) [SPBT12-280/1](#) [SPCT2-280/3](#) [SPCT2-280/4](#) [T2 20KA 4P](#) [2003-09-SM-RPLF](#) [2026-07-A1](#) [2026-25-C3](#) [2039-80-BLF](#)