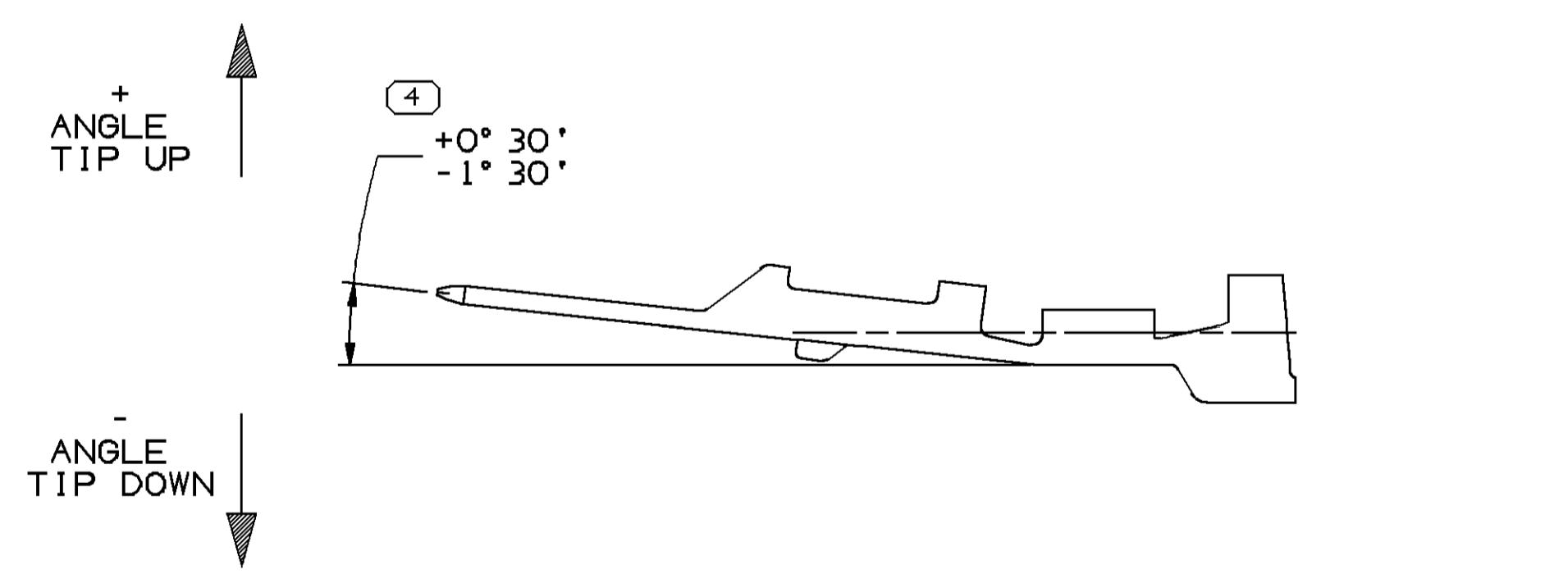
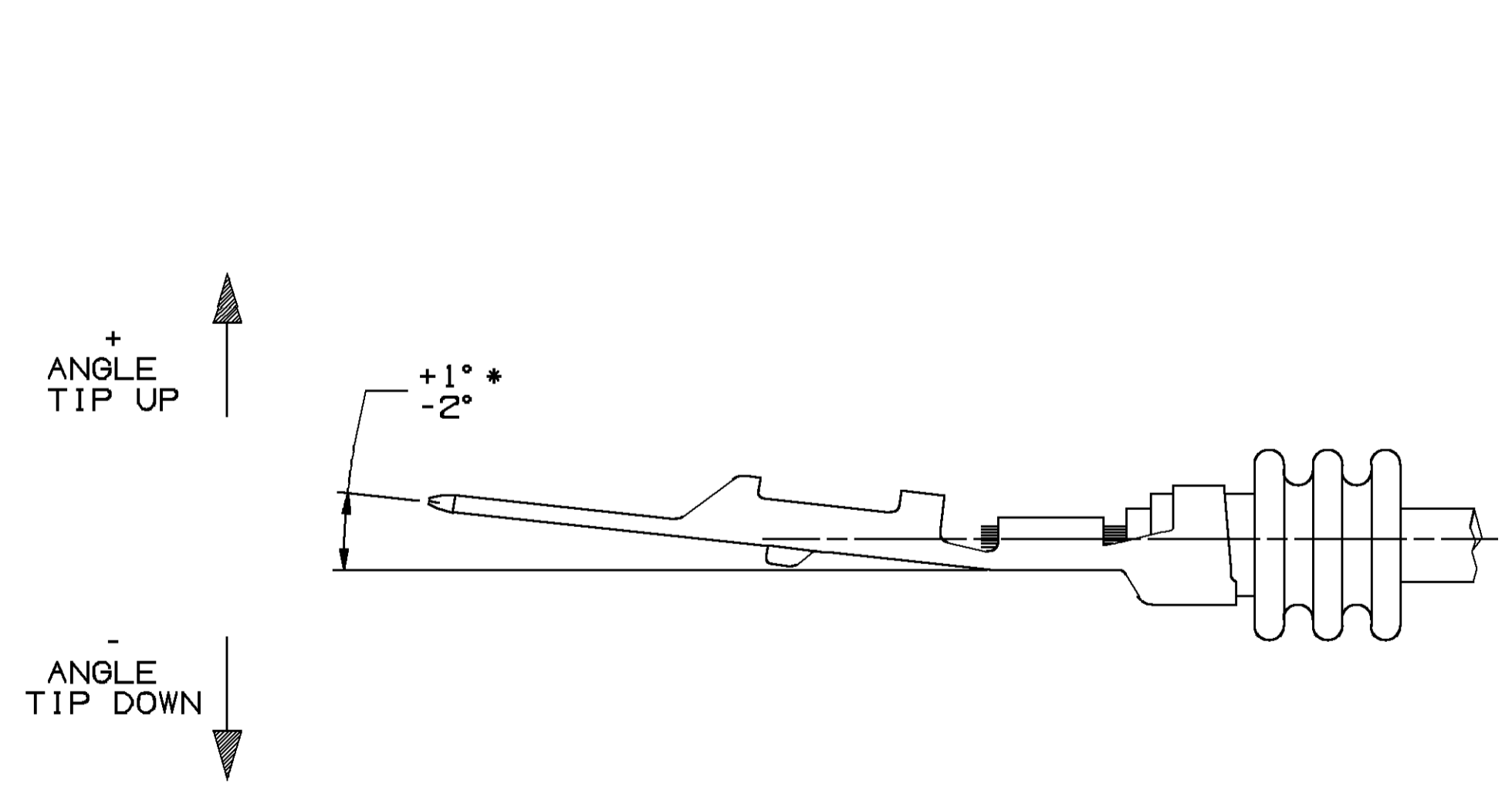
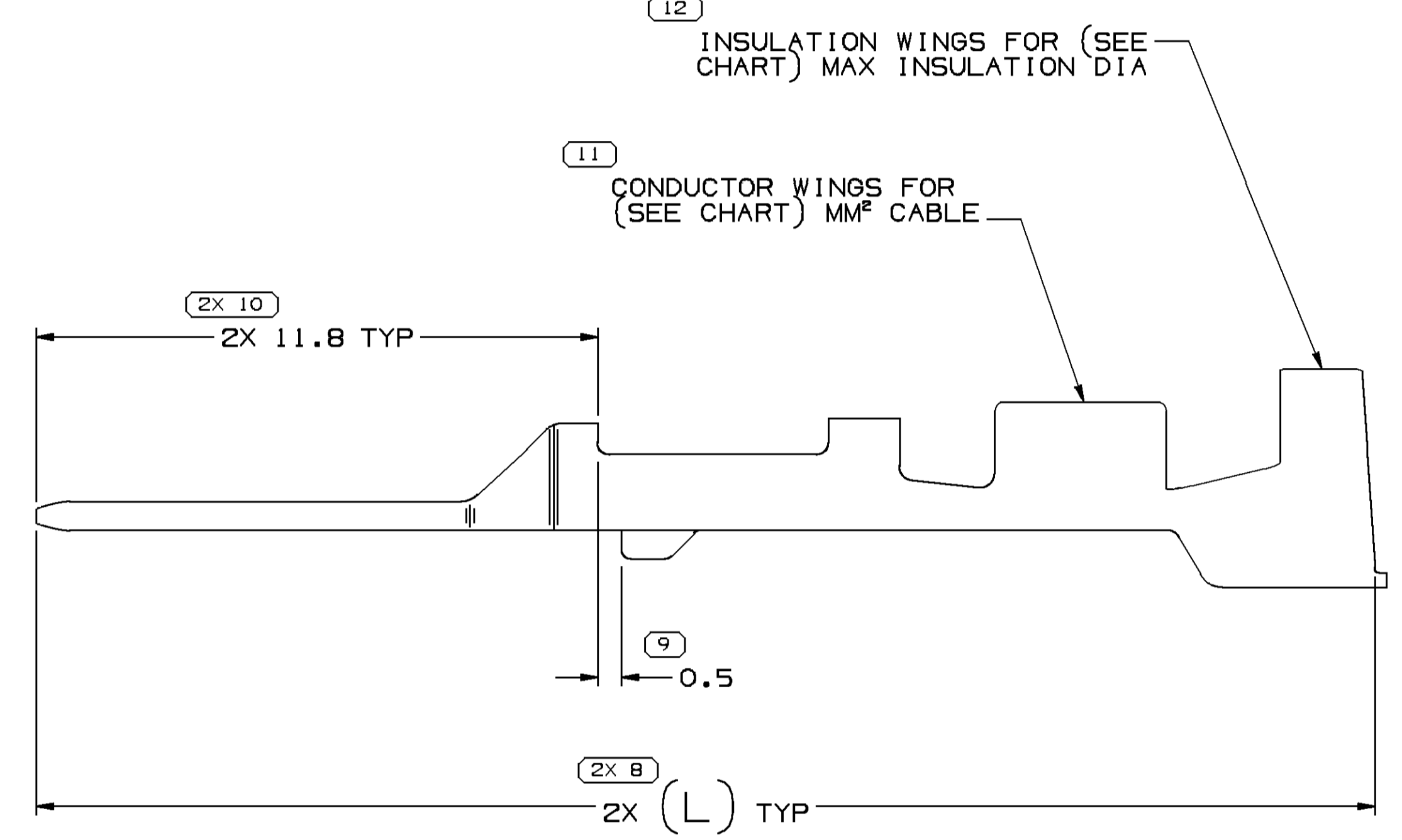
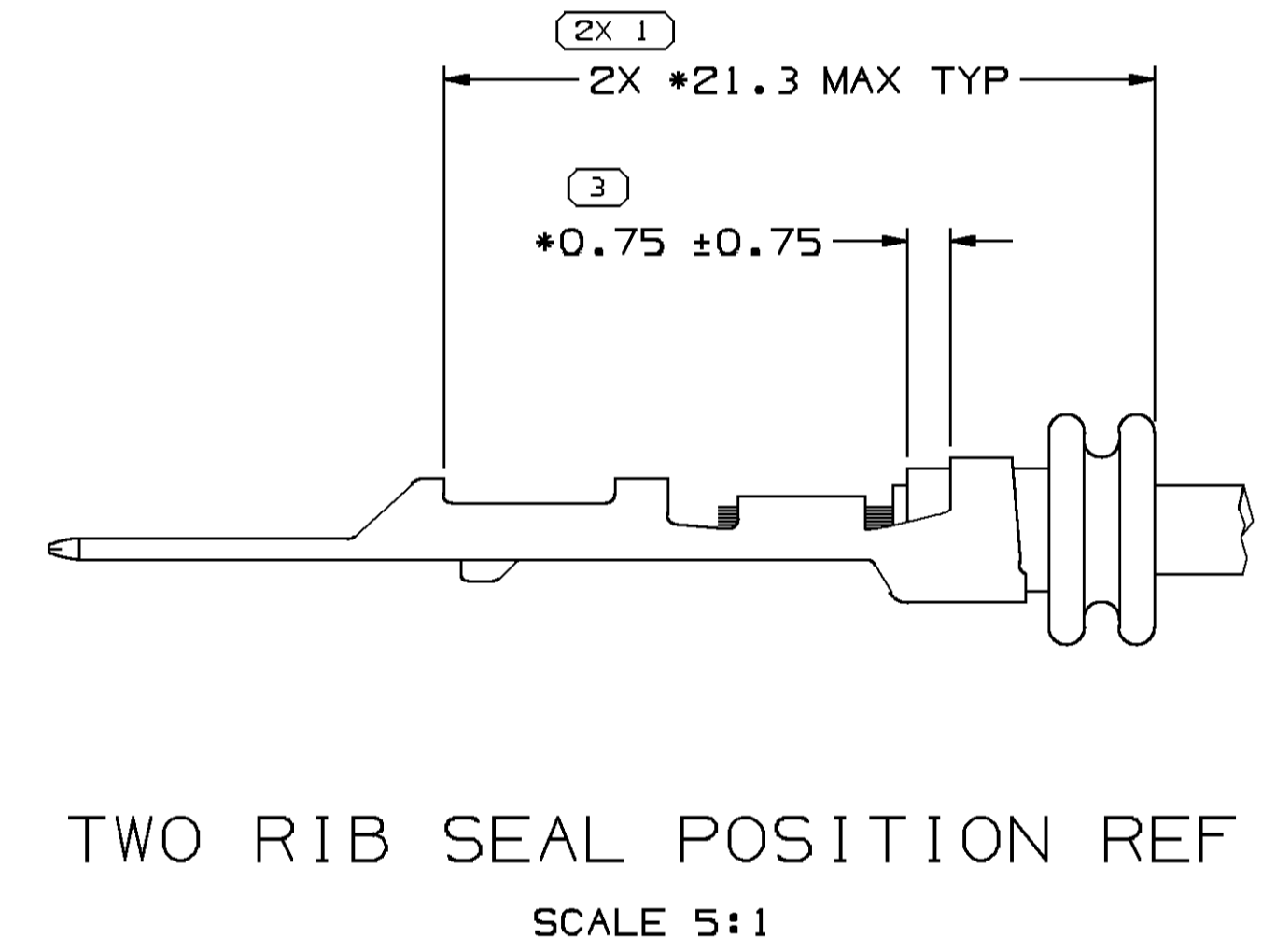
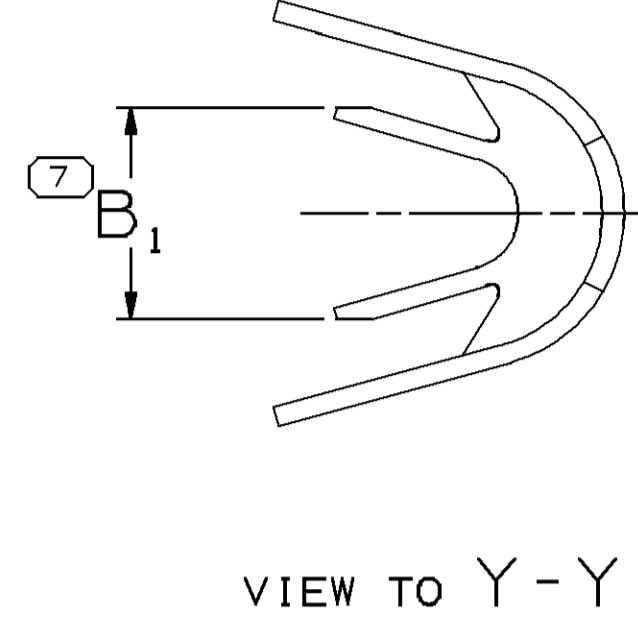
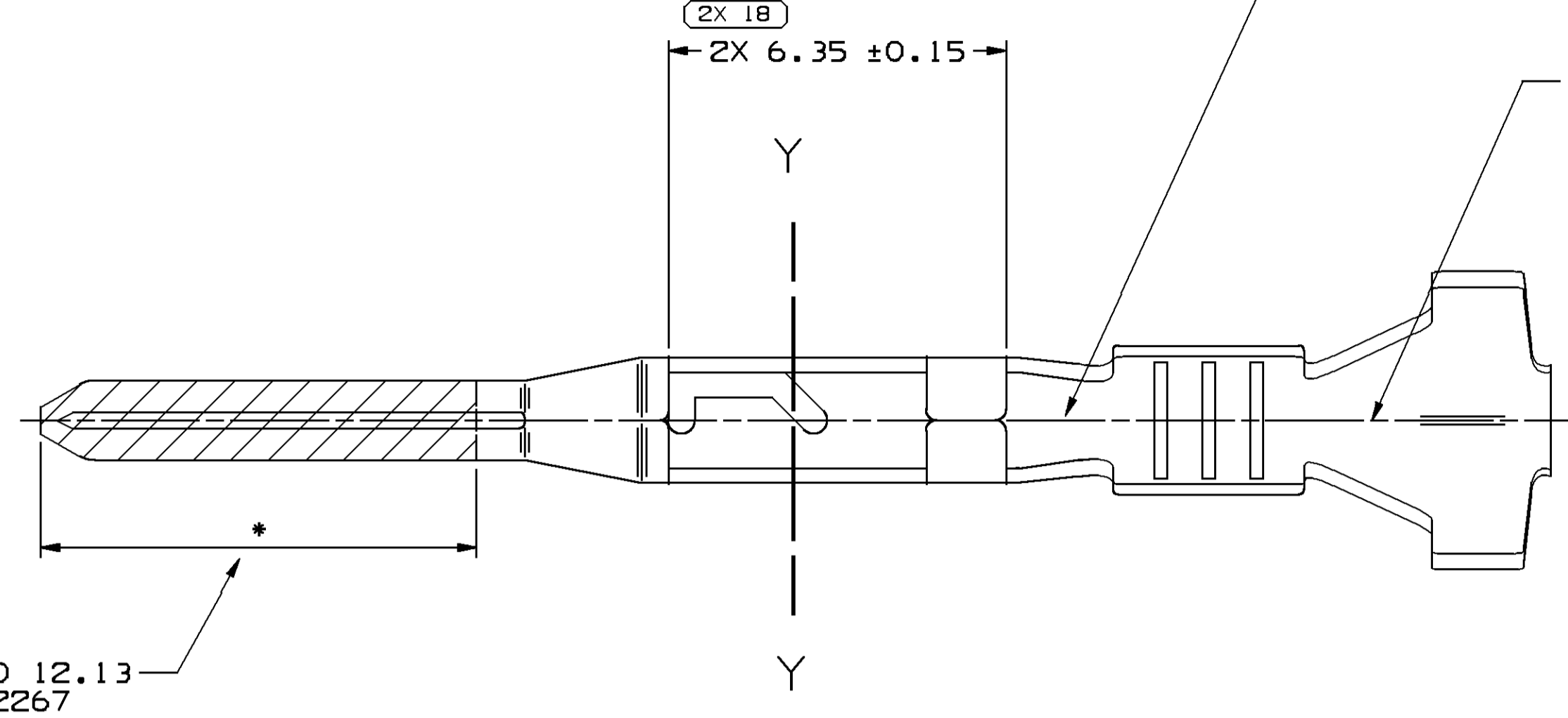
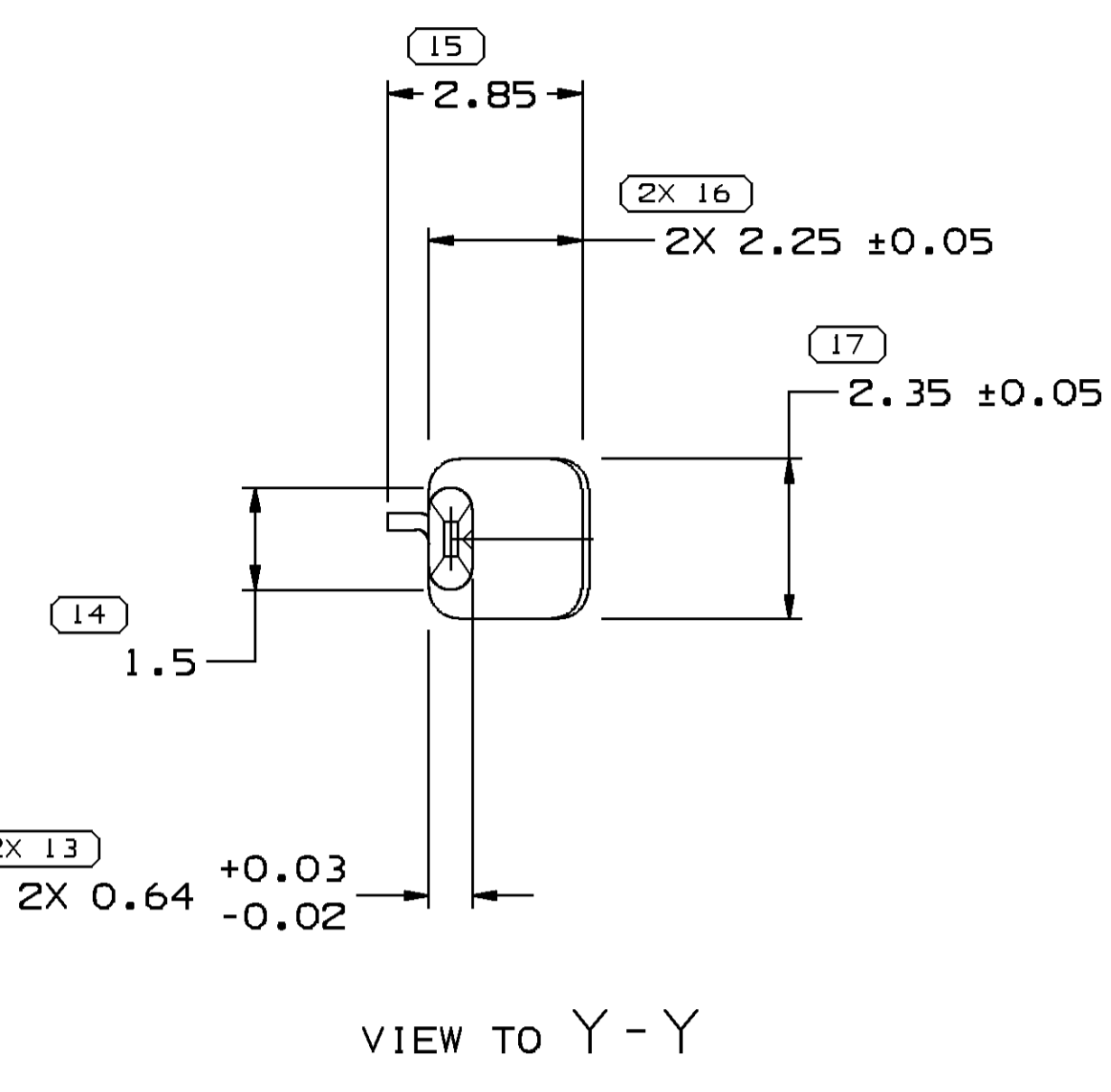


SYMBOL DEFINITION		TOTAL NO OF INSPECTIONS REQUIRED	
A DIMENSION WITHOUT AN INSPECTION REPORT SYMBOL DOES NOT REQUIRE INSPECTION. IT MAY BE CONTROLLED ON THE INDIVIDUAL COMPONENT DRAWING.		22	
	LAST NO. USED	19	

MISSING SYMBOLS	
2	5-6

DWS STATUS		REVISION HISTORY		AUTH						
DATE	STG	REV	N/P	CHG	ZONE	DATE	DR	APV	APV	APV
31JUL02	R	05	-	-	-					
170C02	R	06	-	-	-					
25FEO3	R	07	-	-	-					
16AP03	R	08	-	-	-					
20JL03	R	09	-	-	-					
01MR04	R	10	-	-	-					
040C04	R	11	-	-	-					
22SE08	R	12	-	-	-					
01DE08	R	13	-	-	-					
18MR09	R	14	-	-	-					
160C09	R	15	-	-	-					
29MR10	R	16	-	-	-					
16AU10	R	17	-	-	-					
060C10	R	18	-	-	-					
23AU11	R	19	-	-	-					
28SE11	R	20	-	-	-					
160C14	R	21	-	-	-					



- NOTES
- UNLESS OTHERWISE SPECIFIED AND/OR INDICATED: DIMENSIONS ARE TO FACE OF VIEW SHOWN AND AUTOMATICALLY ROUNDED BY COMPUTER FOR INSPECTION (SEE MATH MODEL FOR PRECISE DIMENSIONS). FOR ALL OTHER DIMENSIONS NOT SHOWN BUT REQUIRED FOR TOOL BUILD, SEE MATH MODEL FOR PRECISE TOOL PATH DATA.
 - REFERENCE MATING COMPONENTS OR EQUIVALENT: TERMINAL 12191818
 - * DENOTES DIMENSIONS MADE AT CUT OFF AND CRIMP DIE.
 - PLATING TYPE:
 - REFLOW TIN 1.9-3.3 MICROMETERS THICK WITH A COPPER UNDERPLATE 0.5 MICROMETER TO 1.0 MICROMETER THICK.
 - SILVER 3.5-6.0 MICROMETERS THICK OVER 0.13-0.25 MICROMETERS THICK NICKEL UNDERPLATE.
 - FOR TERMINALS PACKAGED & STORED IN THE APPROVED MANNER, TARNISH ON SILVER PLATED SURFACES WILL NOT AFFECT THE PERFORMANCE OF THE PART.
 - MATE TIN ELECTROPLATE 1.9-7.0 MICROMETERS THICK WITH A NICKEL UNDERPLATE 0.13-0.25 MICROMETERS THICK.
- PLATING TYPE INFORMATION SHOWN ABOVE IS REFERENCE ONLY. PLATING REQUIREMENTS ARE CONTAINED IN APPLICABLE MATERIAL SPECIFICATION.

PART NO	REV	N/P	PREFERRED MAT'L SIZE	ALTERNATIVE MAT'L SIZE PLATED	MAT'L DESCRIPTION	SIZE (MM²)	ID	CABLE DIA	TYPE	B _{1±0.2}	(L)	APPLICATION	TYPICAL CABLE SEAL	TYPICAL SEALING CAVITY CONFIGURATION	CONTACT AREA PLATING TYPE (SEE NOTE 14)	CRIMP AREA PLATING TYPE (SEE NOTE 14)
13722267	01	AH	0.3 X 35.75	-	A6 PLATED COPPER ALLOY	0.35 - 0.5	21	1.85 - 1.2±0.15	201	2.1	28.15	SEALED (6T)	12191226 OR EQUIVALENT	Ø 4 ROUND	11	111
13722265	01	AH	0.3 X 35.75	-	A6 PLATED COPPER ALLOY	0.75 - 1	17	2.25 - 1.7±0.15	201	2.65	28.15	SEALED (6T)	12191227 OR EQUIVALENT	Ø 4 ROUND	11	111
15443663	01	AC	-	0.3 X 36.12	-	0.75 - 0.8	19	2.02 - 1.7	201	2.65	28.15	SEALED (MINI)	15305351 OR EQUIVALENT	3.2 X 4 OVAL	-	-
15373413	01	AM	0.3 X 35.75	0.3 X 36.12	COPPER ALLOY	0.75 - 0.8	18	2.02 - 1.7	201	2.65	28.15	SEALED (MINI)	15305351 OR EQUIVALENT	3.2 X 4 OVAL	1	1
15355563	01	AL	0.3 X 35.75	0.3 X 36.12	COPPER ALLOY	0.35 - 0.5	21	1.85 - 1.2	201	2.1	28.15	SEALED (MINI)	12191229 OR EQUIVALENT	3.2 X 4 OVAL	1	1
15326269	02	AK	0.3 X 35.75	0.3 X 36.12	COPPER ALLOY	0.75 - 1	17	2.25 - 1.7±0.15	201	2.65	28.15	SEALED (6T)	12191227 OR EQUIVALENT	Ø 4 ROUND	1	1
15326268	02	AK	0.3 X 35.75	0.3 X 36.12	COPPER ALLOY	0.35 - 0.5	21	1.85 - 1.2±0.15	201	2.1	28.15	SEALED (6T)	12191226 OR EQUIVALENT	Ø 4 ROUND	1	1

PROCESS SENSITIVE DIMENSION	
DIMENSIONS ENCLOSED IN () INDICATE REFERENCE DIMENSIONS AND NO TOLERANCE LIMITS ARE ESTABLISHED.	
FROM 0 TO 12	CHART CD
TOLERANCE UNLESS OTHERWISE SPECIFIED	
±0.1	±0.2
ANGULAR TOLERANCE ±2°	

THIRD ANGLE PROJECTION	
DO NOT SCALE	USE MATH DATA

DELPHI
 DELPHI PACKARD ELECTRICAL/ELECTRONIC ARCHITECTURE
 WARREN, OH
 COPYRIGHT 1997 DELPHI CORPORATION AND/OR ITS AFFILIATES. ALL RIGHTS RESERVED. REVISED 05/04

THIS DRAWING IS THE PROPERTY OF DELPHI CORPORATION AND CONTAINS DELPHI CONFIDENTIAL INFORMATION. THE REPRODUCTION, DISTRIBUTION AND UTILIZATION OF THIS DOCUMENT OR ITS CONTENTS OR DATA, AS WELL AS COMMUNICATION OF ANY CONTENT TO OTHERS, WITHOUT EXPRESS AUTHORIZATION, IS PROHIBITED.

DR	DATE
APV01 H. CASTRILLON	18AP97
APV02 PEDRO YABUR	24AP97
APV03 S.C. HSIEH	12MY97
APV04	
APV05	

SUBSTANCE OF CONCERN AND RECYCLED CONTENT PER DELPHI (9449901)

MATERIAL SEE CHART

DRAWING NUMBER
15304703

TAXI TERM M GT 150 SEALED

SIZE	SCALE	FRAME NO	SHEET NO	STG	REV	N/P
A0	10:1	1	1	2	R	21

X-ON Electronics

Largest Supplier of Electrical and Electronic Components

Click to view similar products for [Terminals](#) category:

Click to view products by [APTIV](#) manufacturer:

Other Similar products are found below :

[HT-13-10](#) [71M-250-32-NB](#) [01-2065-1-0216](#) [00581P0075](#) [M10-10RX](#) [M10BCK](#) [60205-1](#) [604200-1](#) [60598-1-CUT-TAPE](#) [60617-1-C](#) [60873-1](#) [M14-516R/SK](#) [M14-6RSX](#) [M18-10FLX](#) [M18-8FBX](#) [M18-8R/LX](#) [M18BCK](#) [61314-6-C](#) [61-S](#) [61-SN-A](#) [62149-1](#) [62-NBM-A](#) [63-S](#) [640179-1](#) [640917-2-CUT-TAPE](#) [6501550002](#) [66107-2-C](#) [66107-4-C](#) [696683-1](#) [696834-1](#) [696861-1](#) [696931-1](#) [696999-1](#) [M8-516RK](#) [M86700006](#) [MA250DMFMX-A](#) [701-2007](#) [701-2307](#) [701-7761-03](#) [70F-110-32-PB](#) [718-N-A](#) [71M-187-20-NBL](#) [71M-250-32-NBL](#) [72F-187-20-NBL](#) [72M-250-32-NBL](#) [7310](#) [73F-250-32](#) [73F-250-32-NBL](#) [73F-250-32-NL](#) [F14-10C](#)