

SS32 thru SS310

SMD Schottky Barrier Diodes

Revision: A

General Description

This Schottky diode is for use in low voltage, high frequency rectifier of switching mode power supplier, DC/DC converters and polarity protection application.

- Low power loss, high efficiency
- Low Forward Voltage Drop
- High forward surge capacity

Features

- Case: SMA, molded epoxy body
- Terminal: Matte tin plated leads
- Polarity: See mark on body

Maximum Ratings ($T_A=25^{\circ}\text{C}$ unless otherwise noted)

Parameter	Symbol	SS32	SS33	SS34	SS35	SS36	SS38	SS39	SS310	Units
Maximum repetitive peak reverse voltage	V_{RRM}	20	30	40	50	60	80	90	100	V
Maximum RMS voltage	V_{RMS}	14	21	28	35	42	56	63	70	V
Maximum DC blocking voltage	V_{DC}	20	30	40	50	60	80	90	100	V
Maximum average forward rectifier current	$I_{F(AV)}$	3.0								A
Peak forward surge current 8.3ms single half sine-wave superimposed on rated load	I_{FSM}	80								A
Operating Junction Temperature Range	T_J, T_{STG}	-50 to 150								$^{\circ}\text{C}$

Electrical Characteristics ($T_A=25^{\circ}\text{C}$ unless otherwise noted)

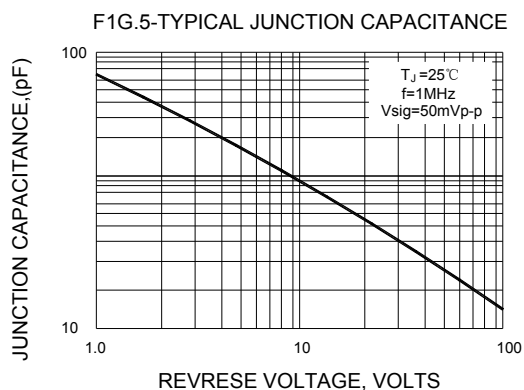
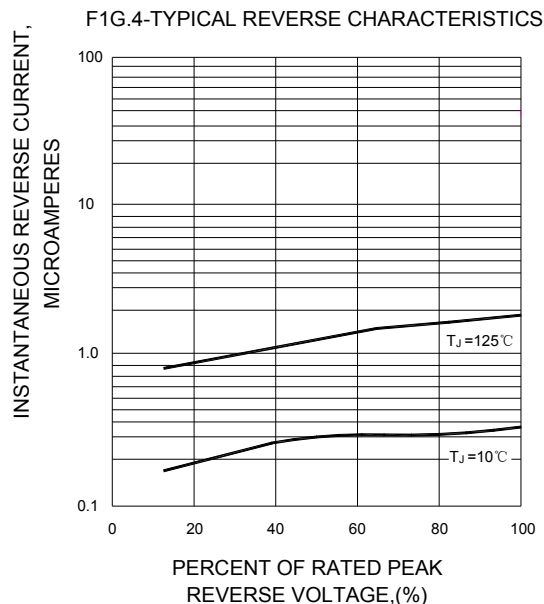
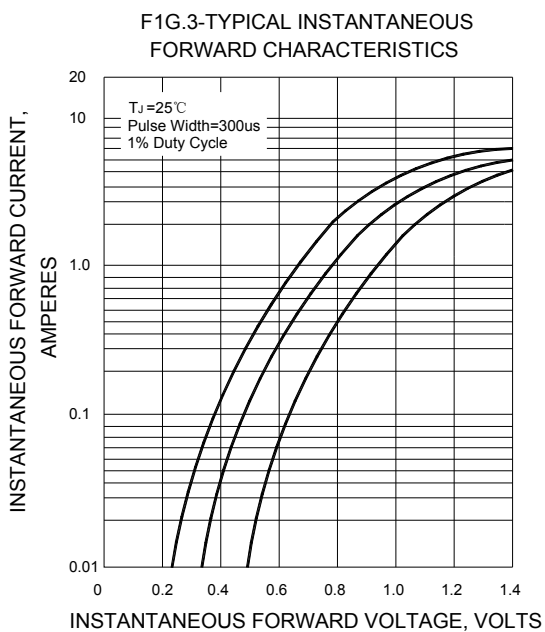
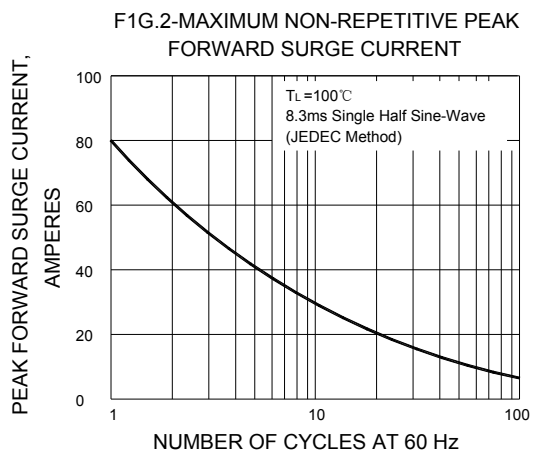
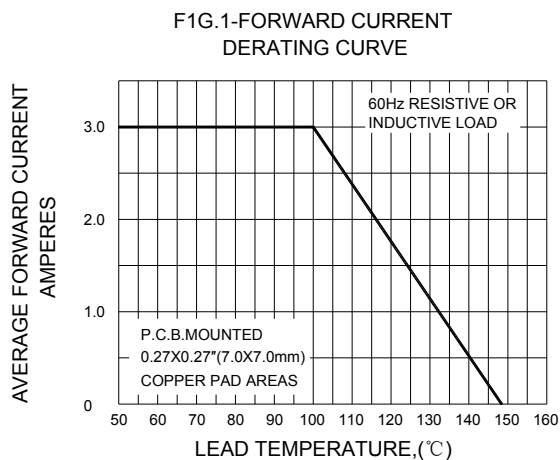
Parameter	Condition	Symbol	SS32	SS33	SS34	SS35	SS36	SS38	SS39	SS310	Units
Maximum instantaneous forward voltage	$I_F=3\text{A}$	V_F	0.55			0.75		0.85			V
Maximum DC reverse current at blocking voltage	$T_C=25^{\circ}\text{C}$	I_R	0.5								mA
	$T_C=125^{\circ}\text{C}$		10								

Thermal Characteristic ($T_A=25^{\circ}\text{C}$ unless otherwise noted)

Parameter	Symbol	SS32 thru SS310								Units
Typical Thermal resistance	$R_{\theta JA}^{(1)}$	88								$^{\circ}\text{C/W}$

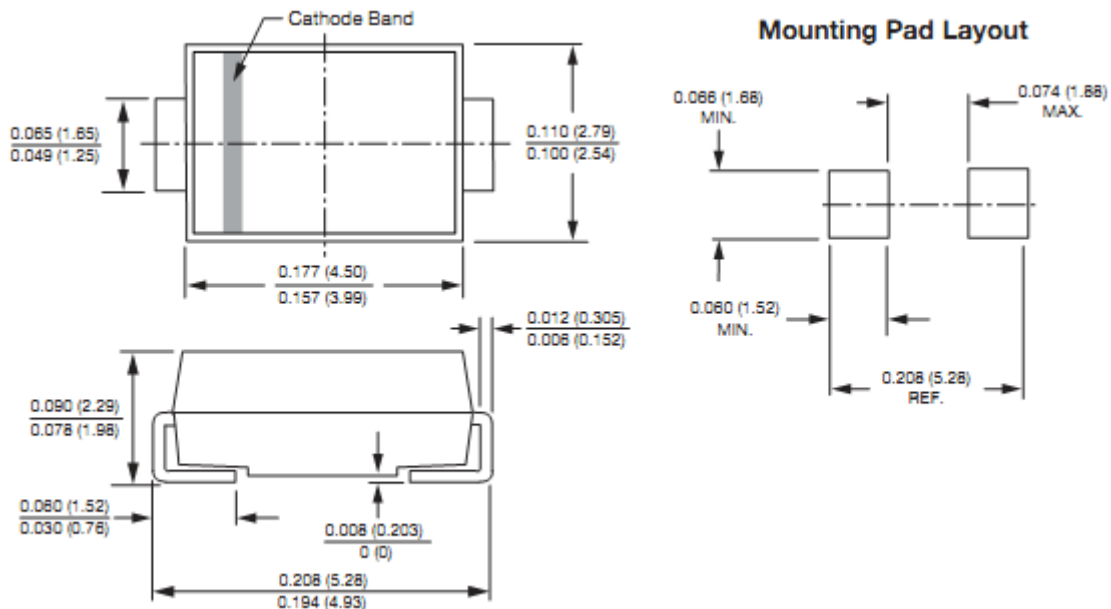
1. P.C.C. Mounted with 0.2"× 0.2"(5.0×5.0mm) copper pads

Ratings and Characteristics Curves ($T_A=25^{\circ}\text{C}$ unless otherwise noted)



Package Outline Dimensions in inches and millimeters

SMA(DO-214AC)



The SINO-IC logo is a registered trademark of ShangHai Sino-IC Microelectronics Co., Ltd.

© 2005 SINO-IC – Printed in China – All rights reserved.

SHANGHAI SINO-IC MICROELECTRONICS CO., LTD

Add: Building 3, Room 3401-03, No.200 Zhangheng Road, ZhangJiang Hi-Tech Park, Pudong, Shanghai 201203, China

Phone: +86-21-33932402 33932403 33932405 33933508 33933608

Fax: +86-21-33932401

Email: webmaster@sino-ic.net

Website: <http://www.sino-ic.net>

X-ON Electronics

Largest Supplier of Electrical and Electronic Components

Click to view similar products for [Schottky Diodes & Rectifiers](#) category:

Click to view products by [SINO-IC](#) manufacturer:

Other Similar products are found below :

[CUS06\(TE85L,Q,M\)](#) [MA4E2039](#) [D1FH3-5063](#) [MBR0530L-TP](#) [MBR10100CT-BP](#) [MBR30H100MFST1G](#) [MMBD301M3T5G](#) [PMAD1103-LF](#) [PMAD1108-LF](#) [RB160M-50TR](#) [RB520S-30](#) [RB551V-30](#) [DD350N18K](#) [DZ435N40K](#) [DZ600N16K](#) [BAS16E6433HTMA1](#) [BAS 3010S-02LRH E6327](#) [BAT 54-02LRH E6327](#) [IDL02G65C5XUMA1](#) [NSR05F40QNXT5G](#) [NSVR05F40NXT5G](#) [JANS1N6640](#) [SB07-03C-TB-H](#) [SB1003M3-TL-W](#) [SBAT54CWT1G](#) [SBM30-03-TR-E](#) [SBS818-TL-E](#) [SK32A-LTP](#) [SK33A-TP](#) [SK34A-TP](#) [SK34B-TP](#) [SMD1200PL-TP](#) [ACDBN160-HF](#) [SS3003CH-TL-E](#) [STPS30S45CW](#) [PDS3100Q-7](#) [GA01SHT18](#) [CRS10I30A\(TE85L,QM\)](#) [MBR1240MFST1G](#) [MBRB30H30CT-1G](#) [BAS28E6433HTMA1](#) [BAS 70-02L E6327](#) [HSB123JTR-E](#) [JANTX1N5712-1](#) [VS-STPS40L45CW-N3](#) [DD350N12K](#) [SB007-03C-TB-E](#) [SB10015M-TL-E](#) [SB1003M3-TL-E](#) [SK110-LTP](#)