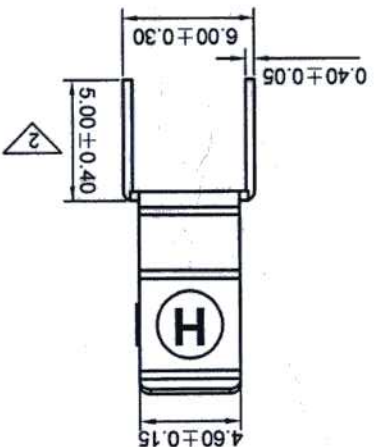
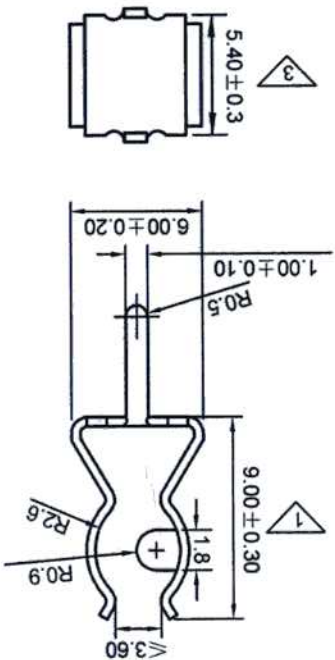


NO.	REVISED DATE	REVISED DETAILS
1	2010.7.1	9.30±0.20改为9.00±0.30
2	2010.7.1	5.00±0.20改为5.00±0.40
3	2010.7.1	4.6±0.15改为5.40±0.30
4		

- 技术要求 Requirements:**
- 1 最大工作电压、电流 Rating Max: 250V 15A.
 - 2 插拔力 Insertion force & Pull out force: 0.2~3N.
 - 3 接触电阻 Contact resistance $\leq 0.05 \Omega$.
 - 4 适合保险丝管尺寸 Applicable fuse size: $\phi 5.2^{+0.1}_{-0.2} \times 20 \pm 0.5\text{mm}$.
 - 5 机械寿命 Mechanical life
 - 用保险丝管连续插拔30次后, 插拔力和接触电阻仍符合以上2、3点要求。
 - It satisfied to item 2 and 3 when insert and pull out the fuse from fuse clips repeatedly 30 times.
 - 6 可焊性 Solderability
 - 将产品的引脚浸入255℃±5℃的Sn99.3Cu0.7锡炉中, 保持3±0.5秒, 被浸表面75%以上能覆盖上锡。
 - Dip the terminals of the clip into solder (Sn99.3Cu0.7) bath at 255℃±5℃ for 3±0.5 seconds. The dipped surfaces shall be covered with solder more than 75%.
 - 7 材料 Material
 - 镀锡黄铜 Tin plated brass.
 - 8 绝缘电阻 Insulation resistance $\geq 500M \Omega$ (500V D.C.).
 - 9 符合RoHS指令。RoHS compliant.



		UNLESS OTHERWISE SPECIFIED DIMENSIONS ARE IN MM	
XIAMEN NINGLY ELECTRONICS CO., LTD.		保险丝管夹 FUSE CLIP HF-004/J	
TITLE		DRAWN BY 陶家山 2010.7.1	
DWG NO. NLCF-H5-04A3		CHECKED BY <i>[Signature]</i>	
MATERIAL		APPROVED BY <i>[Signature]</i>	
TREATMENT		SCALE	
QUANTITY		2010.7.01	

THE INFORMATION HERE ON IS THE PROPERTY OF THE COMPANY AND REPRODUCTION OR UNAUTHORIZED USE IN PART OR IN WHOLE SHALL BE MADE WITHOUT WRITTEN CONSENT OF THE COMPANY AUTHORITY.

X-ON Electronics

Largest Supplier of Electrical and Electronic Components

Click to view similar products for [Fuse Holder](#) category:

Click to view products by [HOLLY](#) manufacturer:

Other Similar products are found below :

[570-290-741P40](#) [570-290-751P40](#) [0031.1351.01](#) [020417G](#) [020418E](#) [80910030](#) [8601.2020](#) [9-3557-GP REV A](#) [15600-08-10](#) [BK1-HTC-45M](#)
[BK/FHN19G](#) [BK/HJM-HH](#) [BK/HKP-CCHH](#) [BK/HKP-E-CC](#) [BK/HKP-E-HH](#) [BK/HKP-EH-HH](#) [BK/HKP-U-HH](#) [BK/HTJ-LES-FUSE](#)
[HMG-241](#) [2086-1](#) [2193](#) [RTMF-SC](#) [2602](#) [2650](#) [FHN31G1](#) [G4PB8](#) [2660](#) [2799](#) [CQ-209V](#) [345621A](#) [3794](#) [4202](#) [4408](#) [4413](#) [4423](#) [4482](#)
[4532](#) [4537](#) [TSD1404-12](#) [BK/FHN31G1](#) [BK/HKP-H-CC](#) [BK/HKP-JQ-BB](#) [BK/HKP-JQW-BB](#) [BK/HKP-N-HH](#) [BK/HKP-S-CC](#) [BK/HKP-W-](#)
[BBHH](#) [BP/HHS](#) [BPHHU](#) [55900008011](#) [C1933](#)