

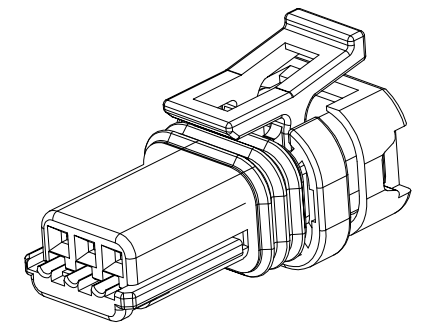
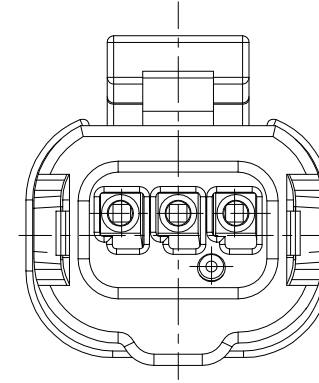
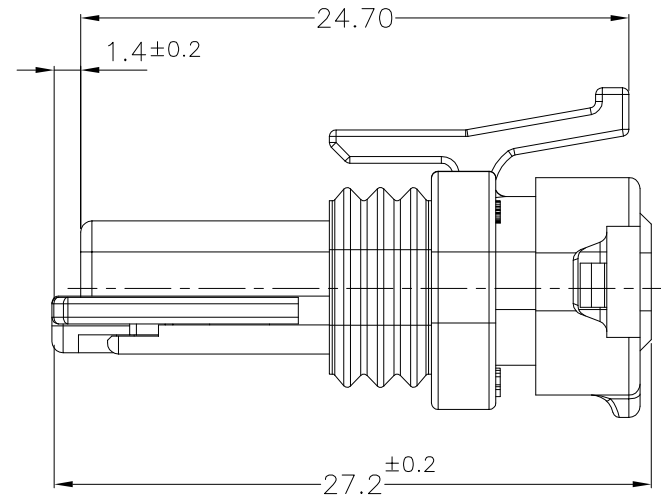
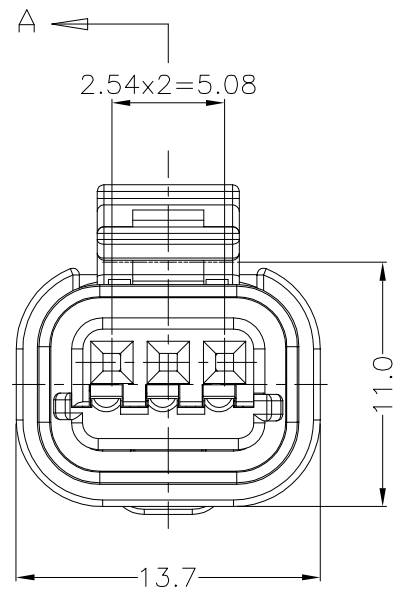
THIS DRAWING IS UNPUBLISHED.

RELEASED FOR PUBLICATION

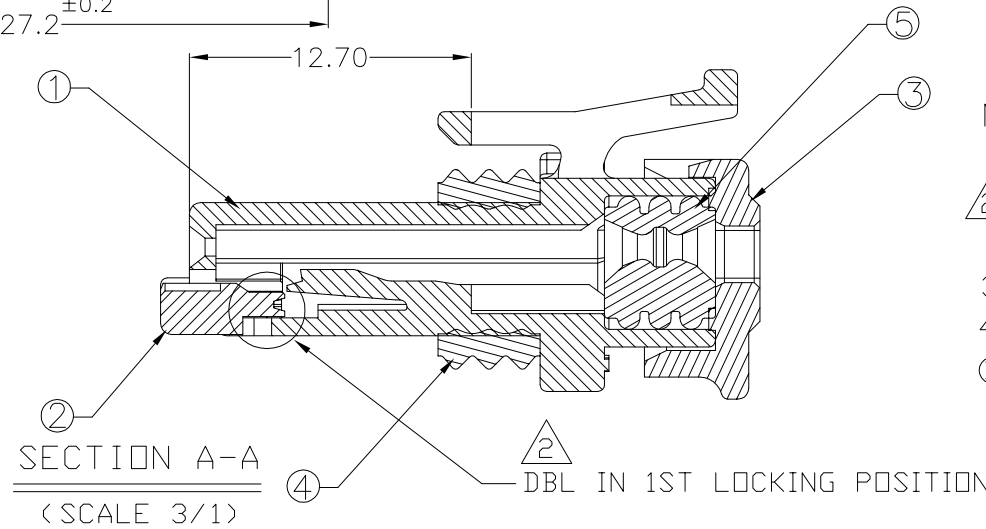
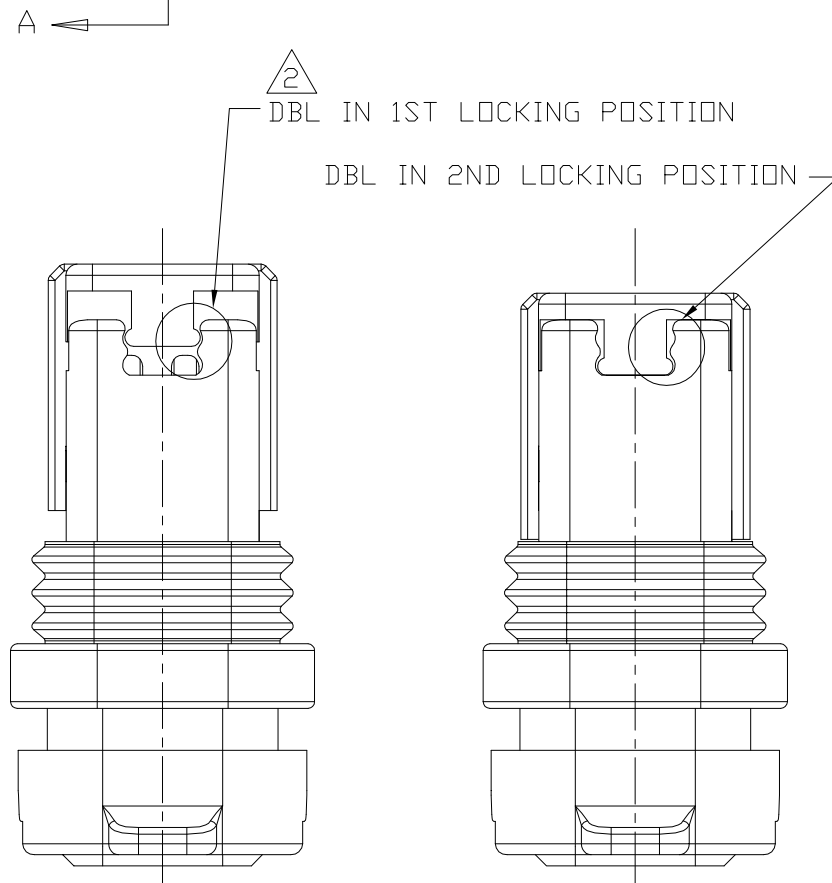
© COPYRIGHT BY TYCO ELECTRONICS CORPORATION, ALL RIGHTS RESERVED.

REVISIONS

P	LTR	DESCRIPTION	DATE	DWN	APVD
	A	REVISED (FC00-0191-04)	21.SEP.'04	YD.	CS
	B	REVISED (ECR-08-005642)	20.MAY.'08	KT	HG
	C	REVISED (ECR-14-012386)	26.AUG.'14	JM	HG
	C1	REVISED (ECR-14-014192)	23.OCT.'14	JM	HG



3D-VIEW
(SCALE 2/1)



NOTES

- GENERAL TOLERANCE IS ±0.3
- CONDITION OF DELIVERY :
DBL IN 1ST LOCKING POSITION
- APPLIED HEADER ASS'Y P/N: 936531
- APPLIED RECEPTACLE CONTACT P/N:

ⓑ	P/N	WIRE SIZE(mm ²)	INSULATION DIA.
	1318329	0.3 ~ 0.5mm ²	MAX. ø1.7

Ⓒ	ASS'Y P/N	Q'TY
	1-936527-2	1
	936527-3	1
	936527-2	1

NO	COLOR	MATERIAL	DESCRIPTION	P/N	Q'TY
⑤	RED ORANGE	SILICONE	FAMILY SEAL	936880-1	1
④	RED ORANGE	SILICONE	INNER SEAL	936879-1	1
③	GRAY	PBT GF15	SEAL RETAINER HSG	936530-3	-
	BLACK	PBT GF15	SEAL RETAINER HSG	936530-2	1
②	YELLOW	PBT GF15	SEAL RETAINER HSG	936530-1	-
	WHITE	PBT GF15	DBL HSG	936529-1	1
①	BLACK	ⓑ PA66 GF15	PLUG HSG	936528-2	1

THIS DRAWING IS A CONTROLLED DOCUMENT FOR TYCO ELECTRONICS CORPORATION IT IS SUBJECT TO CHANGE AND THE CONTROLLING ENGINEERING ORGANIZATION SHOULD BE CONTACTED FOR THE LATEST REVISION.

DIMENSIONS: MM	TOLERANCES UNLESS OTHERWISE SPECIFIED:
	0 PLC ±
	1 PLC ±
	2 PLC ±
	3 PLC ±
	4 PLC ±
	ANGLES ±
MATERIAL	FINISH
SEE TABLE	

DWN JM JEON
CHK JW JUNG
APVD HG CHO
PRODUCT SPEC -
APPLICATION SPEC -
WEIGHT -

NAME
025 3P SEALED CONNECTOR FOR HLLD

SIZE A3 CAGE CODE 00779 DRAWING NO C-936527 RESTRICTED TO -

CUSTOMER DRAWING SCALE 3/1 SHEET 1 OF 1 REV C1



X-ON Electronics

Largest Supplier of Electrical and Electronic Components

Click to view similar products for [Headers & Wire Housings](#) category:

Click to view products by [TE Connectivity](#) manufacturer:

Other Similar products are found below :

[95000-104TRLF](#) [10135584-644402LF](#) [DF62W-EP2022PCA](#) [95000-106TRLF](#) [DF62W-2022SCA](#) [DF62W-EP2022PC](#) [2203348](#) [DF62W-2022SC](#) [1084018](#) [1029039](#) [1084017](#) [802-10-012-10-002000](#) [1112640](#) [1112639](#) [891-007-9SS-BST1T](#) [000-34000](#) [0008550134](#) [0009482033](#) [0009507031](#) [57102-F02-18ULF](#) [57102-S06-03LF](#) [57202-S52-04LF](#) [PCN6-15S-2.5E](#) [0039019024](#) [58102-G61-06LF](#) [582553-1](#) [0009485154](#) [0009508121](#) [0022285053](#) [0050291907](#) [018731A](#) [LY20-4P-DT1-P1E-BR](#) [02.125.8002.8](#) [60101931](#) [60598-1 \(Cut Strip\)](#) [M1625-3R/100](#) [61062-3](#) [61082-181009](#) [CSU011177004](#) [636-1427](#) [638009-1](#) [641938-9](#) [641991-4](#) [644168-1](#) [644827-2](#) [647662-1](#) [65039-019ELF](#) [65692-001LF](#) [65781-018](#) [65781-047](#)