

### Features

- Ultra low leakage: nA level
- Operating voltage: 24V
- Low clamping voltage
- Complies with following standards:
  - IEC 61000-4-2 (ESD) immunity test
    - Air discharge:  $\pm 15\text{kV}$
    - Contact discharge:  $\pm 8\text{kV}$
  - IEC61000-4-4 (EFT) 40A (5/50ns)
  - IEC61000-4-5 (Lightning) 43A (8/20 $\mu\text{s}$ )
- RoHS Compliant

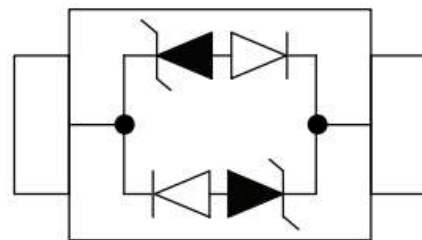
### Dimensions SOD-323



### Applications

- Cell Phone Handsets and Accessories
- Microprocessor based equipment
- Personal Digital Assistants (PDA's)
- Notebooks, Desktops, and Servers
- Portable Instrumentation
- Peripherals
- USB Interface

### Pin Configuration



### Mechanical Characteristics

- Package: SOD-323
- Lead Finish: Lead Free
- UL Flammability Classification Rating 94V-0
- Quantity Per Reel: 3000pcs
- Reel Size: 7 inch

### Absolute Maximum Ratings (T<sub>amb</sub>=25°C unless otherwise specified)

| Parameter                              | Symbol           | Value       | Unit |
|--|------------------|-------------|------|
| Peak Pulse Power (8/20 $\mu\text{s}$ ) | P <sub>pp</sub>  | 350         | W    |
| ESD per IEC 61000-4-2 (Air)            | V <sub>ESD</sub> | $\pm 15$    | Kv   |
| ESD per IEC 61000-4-2 (Contact)        |                  | $\pm 8$     |      |
| Operating Temperature Range            | T <sub>J</sub>   | -55 to +125 | °C   |
| Storage Temperature Range              | T <sub>STJ</sub> | -55 to +150 | °C   |

## Electrical Characteristics (TA=25°C unless otherwise specified)

| Part Number | Device Marking | V <sub>RWM</sub> (V) | V <sub>BR</sub> (V) | I <sub>T</sub> (mA) | V <sub>C</sub> @1A | V <sub>C</sub> |      | I <sub>R</sub> μA (Max) | C (Pf) (Typ.) |
|-------------|----------------|----------------------|---------------------|---------------------|--------------------|----------------|------|-------------------------|---------------|
|             |                |                      |                     |                     |                    | (Max)          | (@A) |                         |               |
| LC24CI      | HC             | 24                   | 26.7                | 1                   | 43                 | 60             | 3    | 1                       | 1             |

## Characteristic Curves

Fig1. 8/20μs Pulse Waveform



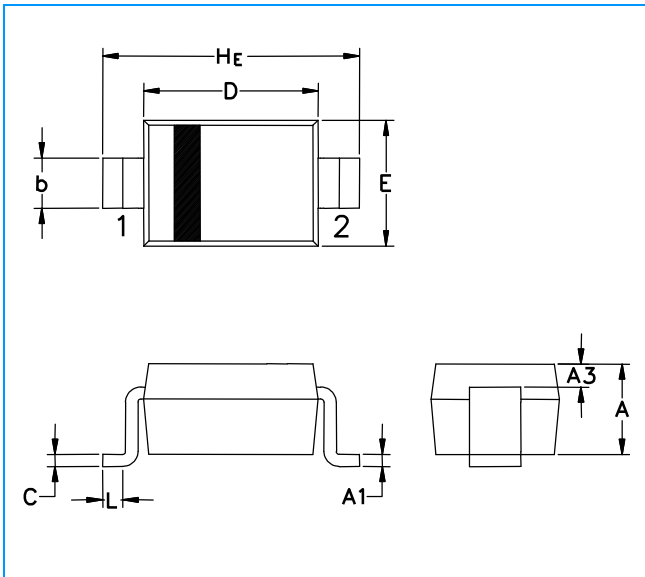
Fig2. ESD Pulse Waveform (according to IEC 61000-4-2)



Fig3. Power Derating Curve

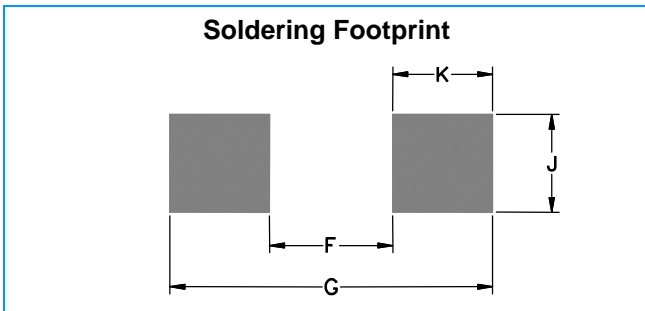


## SOD-323 Package Outline & Dimensions



| Symbol               | Millimeters |      |       | Inches    |       |       |
|----------------------|-------------|------|-------|-----------|-------|-------|
|                      | Min.        | Nom. | Max.  | Min.      | Nom.  | Max.  |
| <b>A</b>             | 0.80        | 0.90 | 1.00  | 0.031     | 0.035 | 0.040 |
| <b>A1</b>            | 0.00        | 0.05 | 0.10  | 0.000     | 0.002 | 0.004 |
| <b>A3</b>            | 0.15 REF    |      |       | 0.006 REF |       |       |
| <b>b</b>             | 0.25        | 0.32 | 0.40  | 0.010     | 0.012 | 0.016 |
| <b>C</b>             | 0.089       | 0.12 | 0.177 | 0.003     | 0.005 | 0.007 |
| <b>D</b>             | 1.60        | 1.70 | 1.80  | 0.062     | 0.066 | 0.070 |
| <b>E</b>             | 1.15        | 1.25 | 1.35  | 0.045     | 0.049 | 0.053 |
| <b>L</b>             | 0.08        |      |       | 0.003     |       |       |
| <b>H<sub>E</sub></b> | 2.30        | 2.50 | 2.70  | 0.090     | 0.098 | 0.105 |

### Soldering Footprint



| Symbol   | Millimeters | Inches |
|----------|-------------|--------|
| <b>F</b> | 1.60        | 0.063  |
| <b>G</b> | 2.85        | 0.112  |
| <b>J</b> | 0.83        | 0.033  |
| <b>K</b> | 0.63        | 0.025  |

## X-ON Electronics

Largest Supplier of Electrical and Electronic Components

*Click to view similar products for [ESD Suppressors / TVS Diodes](#) category:*

*Click to view products by [Leiditech](#) manufacturer:*

Other Similar products are found below :

[NTE4902](#) [P4SMAJ15A](#) [P4SMAJ26A](#) [SMAJ400CA-TP](#) [TGL34-47CA](#) [ESDAULC45-1BF4](#) [SM1605E3/TR13](#) [SMF20A-TP](#) [P4SMAJ12A](#)  
[CPDUR24V-HF](#) [CPDQC5V0USP-HF](#) [CPDQC5V0-HF](#) [MPLAD30KP45CAE3](#) [MMBZ27VCLQ-7-F](#) [MMAD1108/TR13](#) [MPLAD30KP24A](#)  
[ACPDQC5V0R-HF](#) [DFLT170A-7](#) [NTE4900](#) [NTE4926](#) [NTE4938](#) [SMF22A-TP](#) [SMF12A-TP](#) [SLVU2.8-TP](#) [SMLJ6.5CA-TP](#) [SMAJ6.5CA-](#)  
[TP](#) [MMAD1108E3/TR13](#) [D5V0M1U2LP3-7](#) [SMAJ400A-TP](#) [AOZ8811DT-03](#) [AOZ8831DI-05](#) [AOZ8831DT-03](#) [SMAJ188CA](#) [3SMC33CA](#)  
[BK](#) [CPDQC3V3C-HF](#) [CPDQC12VE-HF](#) [MPLAD30KP170CA](#) [82357120100](#) [5.0SMLJ15CA-TP](#) [5KP18A-TP](#) [P6KE8.2A-TP](#)  
[MPLAD30KP43CAE3](#) [SMAJ43A-TP](#) [D5V0F6U8LP33-7](#) [TVS5501V10MUT5G](#) [5.0SMLJ24CA-TP](#) [SMAJ110CA-TP](#) [MPLAD15KP75CAE3](#)  
[MMAD1103e3/TR13](#) [DFLT40AQ-7](#)