

Messrs. BESTON

ALUMINUM ELECTROLYTIC CAPACITORS SPECIFICATION SHEET

CUSTOMER PART No.		
Rubycon PART No.	450 USG 390 M CDA SN 30X40	
DRAWING No.	REE - 046251	ISSUE No. 1
ISSUE DATE	4 July 2014	



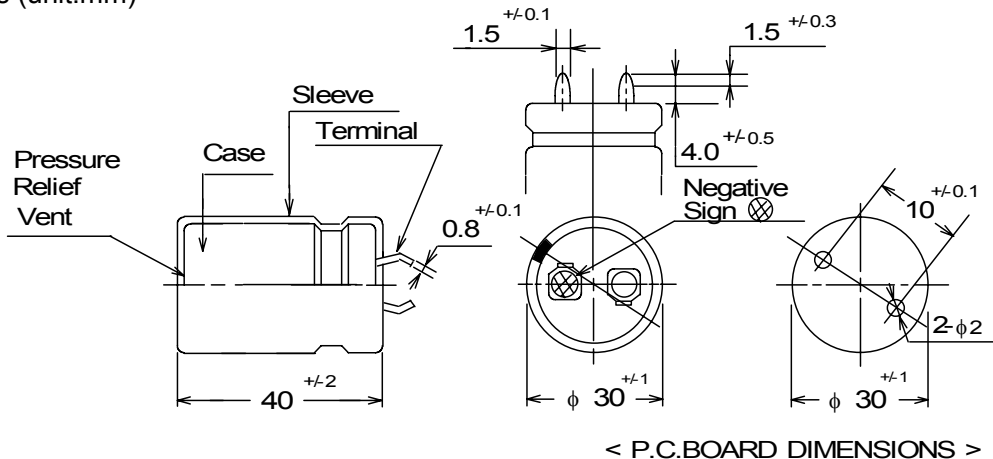
RUBYCON CORPORATION
ENGINEERING DIVISION

1938-1, NISHIMINOWA, INA-SHI, NAGANO-KEN, JAPAN
TEL No. +81-265-72-7116
FAX No. +81-265-73-3380

DESIGN	KAZUNORI OYABE
	<i>K. Oyabe</i>
CHECK	HIROKAZU HORIKAWA
	<i>H. Horikawa</i>
APPROVAL	YUZO SHIBA
	<i>Y. Shiba</i>

Fixed aluminum electrolytic capacitors for use in electronic equipment	Customer Part Number	
	Rubycon Part Number	450 USG 390 M CDA SN 30X40
	Style	CE692
	Operating Temperature Range	-25°C~+85°C
	The General Standard	JIS C5141(1991)

1. Dimensions (unit:mm)



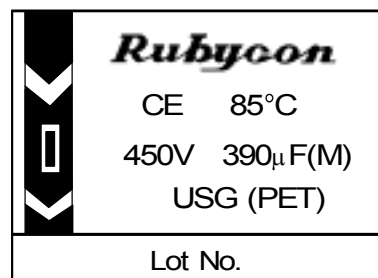
Name	Sleeve	Case	Seal	Terminal
Material	P.E.T.	Al	Rubber-laminated bakelite	SPCC(Tin plating)
Appearance	Black			

2. Electrical Performance

Nominal Capacitance (μ F)	Capacitance Tolerance (%)	Rated Voltage (V.DC)	Surge Voltage (V.DC)	Leakage Current Max./5Min. (μ A)	$\tan\delta$ Max.	Rated Ripple Current (A r.m.s.)
390	-20 ~ +20	450	500	20°C	20°C/120Hz	85°C/120Hz
				1256	0.20	2.32

3. Marking: Unless otherwise specified, capacitor shall be clearly marked on its body.

- (1) Brand
- (2) Mark Indicating Electrolytic Capacitor
- (3) Maximum Operating Temperature
- (4) Rated Voltage
- (5) Nominal Capacitance (Tolerance)
- (6) Series (Sleeve Material)
- (7) Polarity
- (8) Lot No.



4. Temperature Characteristics (Impedance ratio at 120Hz)

$Z(-25^{\circ}\text{C})/Z(20^{\circ}\text{C})$: 12 MAX.

5. Load Life Test

After 3000 +72/0 hours application of D.C. rated working voltage with full rated ripple current at $85\pm 2^{\circ}\text{C}$, the capacitor shall meet the following requirements.

Capacitance Change : Within $\pm 20\%$ of the initial value
Dissipation Factor : Not more than 200% of the specified value
Leakage Current : Not more than the specified value

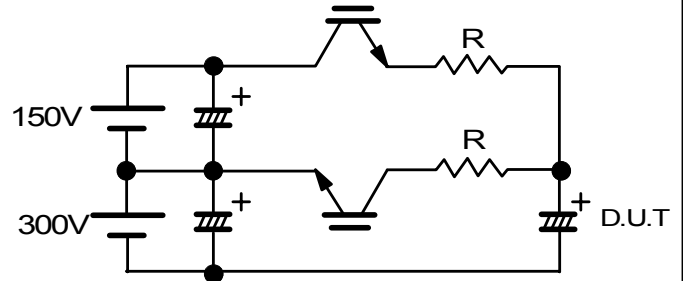
450 USG 390 M CDA SN 30X40	Rubycon RUBYCON CORPORATION	DRAWING No.	ISSUE No.
		REE - 046251	1

6. Charge –Discharge endurance

After applying the following charge discharge load for 100million times at the nominal temperature, the capacitors shall meet the following requirements.

Test condition

Charge voltage [V]	: 450
Discharge voltage [V]	: 300
Charge-Discharge voltage range [V]	: 150
Charge-Discharge frequency [Hz]	: 6
Charge-Discharge Resistance [Ω]	: 37



Criteria

Capacitance Change	: Within $\pm 20\%$ of the initial value
Dissipation Factor	: Not more than 200% of the specified value
Leakage Current	: Not more than the specified value

7. Notes (on the use of aluminum electrolytic capacitors)

(1)Insulation

Aluminum electrolytic capacitors are covered with P.E.T. sleeve which purpose is mainly indication of necessary items.

The case of capacitor and the cathode terminal are not insulated.

(2)Polarity

Please confirm the polarity before use because this capacitor has polarity.

*Guide to application except the above are described in our catalog and EIAJ RCR-2367C.

EIAJ RCR-2367C: "Safety Application Guide for fixed aluminum electrolytic capacitors for use in electronic equipment."

X-ON Electronics

Largest Supplier of Electrical and Electronic Components

Click to view similar products for [Aluminium Electrolytic Capacitors - Radial Leaded](#) category:

Click to view products by [Rubycon](#) manufacturer:

Other Similar products are found below :

[NRELS102M35V16X16C.140LLF](#) [ESRG160ETC100MD07D](#) [227RZS050M](#) [335CKR250M](#) [476CKH100MSA](#) [477CKR100M](#)
[107CKR010M](#) [107CKH063MSA](#) [RJH-25V222MI9#](#) [RJH-35V221MG5#](#) [B43827A1106M8](#) [RJH-50V221MH6#](#) [EKYA500ELL470MF11D](#)
[B41022A5686M6](#) [ESRG250ELL101MH09D](#) [EKMA160EC3101MF07D](#) [RJB-10V471MG3#](#) [ESMG160ETD221MF11D](#)
[EKZH160ETD152MJ20S](#) [RJH-35V122MJ6#](#) [EGXF630ELL621ML20S](#) [RBD-25V100KE3#N](#) [EKMA350ELL100ME07D](#)
[ESMG160ETD101ME11D](#) [ELXY100ETD102MJ20S](#) [EGXF500ELL561ML15S](#) [EKMG350ETD471MJ16S](#) [35YXA330MEFC10X12.5](#)
[RXW471M1ESA-0815](#) [ELXZ630ELL221MJ25S](#) [ERR1HM1R0D11OT](#) [LPE681M30060FVA](#) [LPL471M22030FVA](#) [HFE221M25030FVA](#)
[LKMD1401H221MF](#) [B41888G6108M000](#) [EKMA160ETD470MF07D](#) [UHW1J102MHD6](#) [EKMG500ETD221MJC5S](#) [LKMK2502W101MF](#)
[LKMD1401H181MF](#) [LKMI2502G820MF](#) [LKMJ2001J122MF](#) [LKML2501C472MF](#) [LKMJ4002C681MF](#) [450MXH330MEFCSN25X45](#)
[450MXK330MA2RFC22X50](#) [63ZLH560MEFCG412.5X30](#) [ELH2DM331O25KT](#) [ELH2DM471P30KT](#)