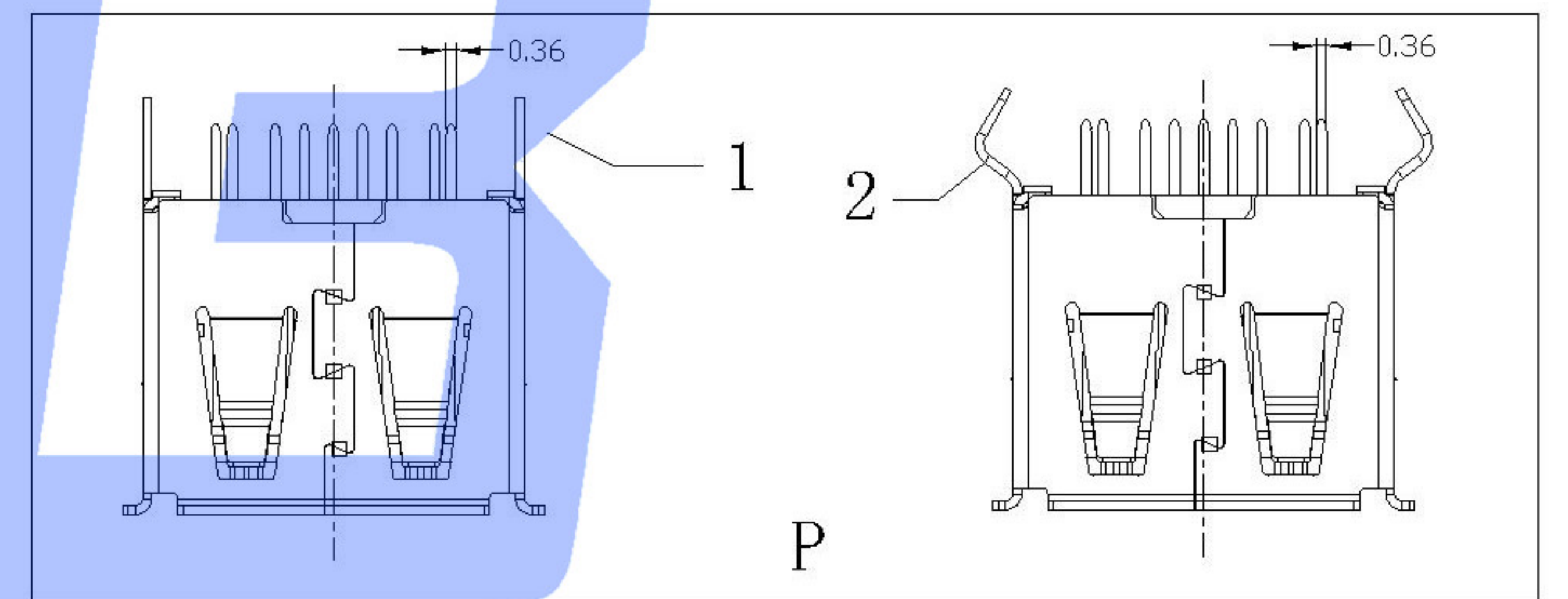
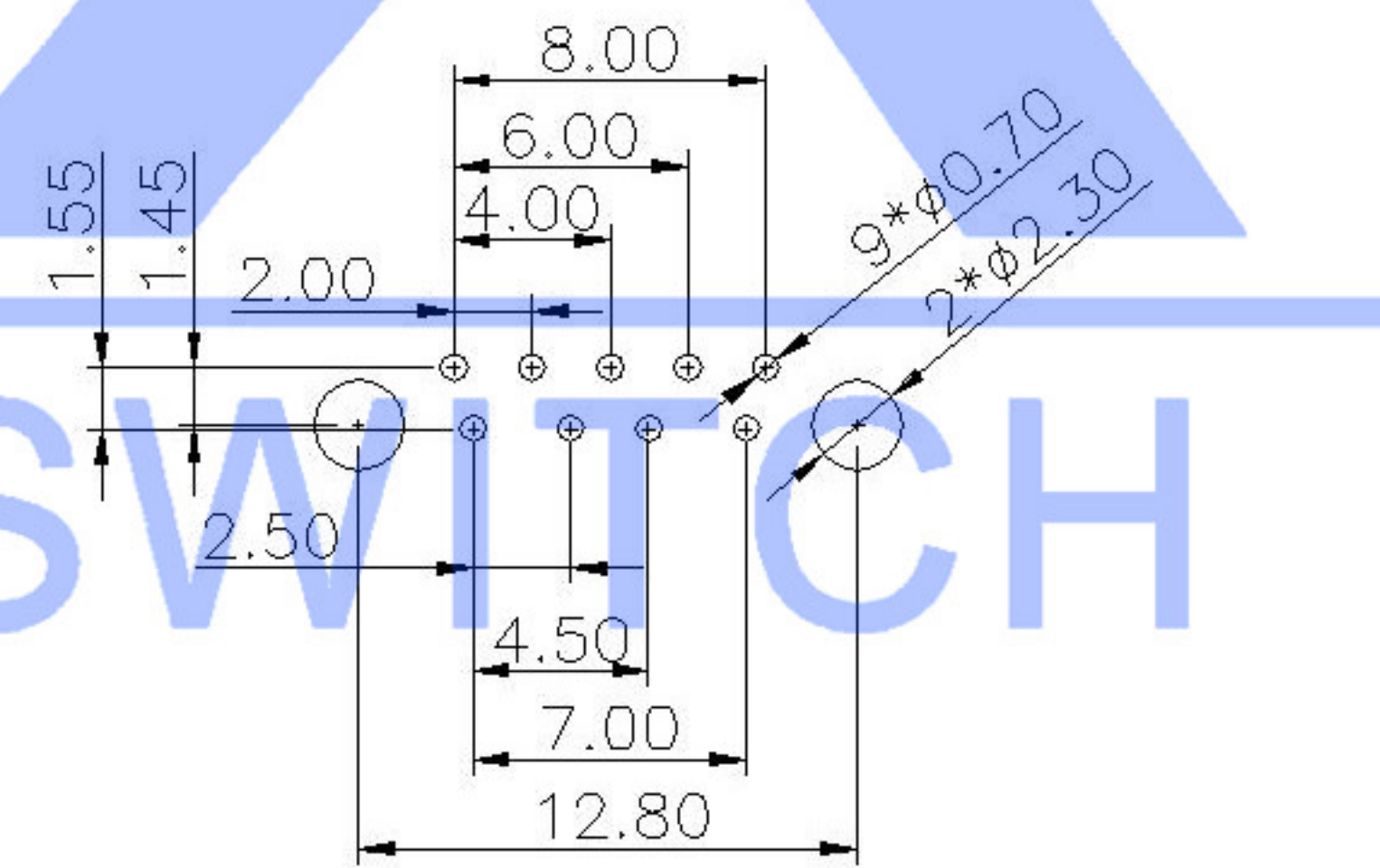
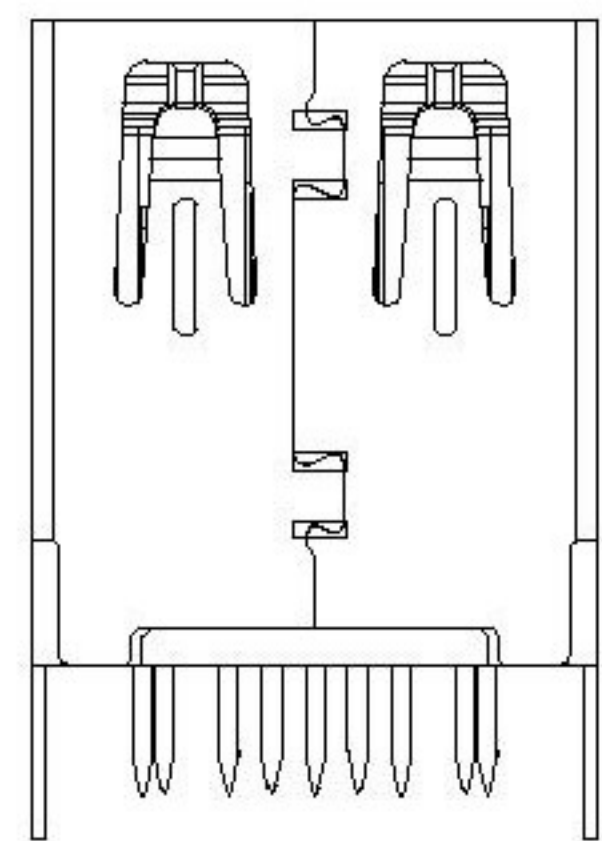


Flat (F)



SWITCH CONNECTOR

- NOTES:
- ELECTRICAL:
 - CURRENT RATING: 1.8AMP;
 - INSULATION RESISTANCE: 100MΩ MIN;
 - CONTACT RESISTANCE: 50mΩ MAX;
 - WITHSTANDING VOLTAGE: 100V AC;
 - OPERATING TEMPERATURE: -55°C ~ +85°C
 - Mechanical:
 - Mating Force: 35N MAX
 - Unmating Force: 10N MIN.
 - DIMENSIONS MARKED "▼" TO BE CHECKED BY Q.C & IPQC.

4. PART NO.

U233-09XN-XBLRC15-X-1-X

1Au 1U*
5Au 15U*
6Au 30U*

T:TIN
N:NICKEL

P:1 P:2
1:SPCC 5:BRASS
S:Scrolls F:Flat

B:BLACK W:WHITE BL:BLUE

1:PBT
2:PA6T
3:PA9T
4:LCP

| | | | | | | | | | | | | | | |
|---|-------------|------|---------|----------|------------------------|------|---------------------------------------|--|------|--|------------|-------------------------------|-------|----------|
| | | | | | ANGLAR | ±5° | DSND | | DATE | | SCALE: N/A | MODEL TYPE: USB 3.0 | | |
| | | | | | L ≤ 4 | ±0.2 | DWN | | DATE | | VIEW: | PART NO.: | | |
| | | | | | 4 < L ≤ 16 | ±0.3 | CHKD | | DATE | | UNIT: mm | DWG NO.: | | |
| | | | | | 16 < L ≤ 63 | ±0.4 | APPD | | DATE | | SIZE: A4 | U233-09XN-XBLRC15-X-1-X | | |
| | | | | | L > 63 | ±0.5 | KXB INDUSTRIAL PRECISION CO., LIMITED | | | | | WEIGHT | SHEET | REVISION |
| | | | | | UNSPECIFIED TOLERANCES | | | | | | | 1.0g | 1/1 | A0 |
| MARK | DESCRIPTION | DATE | REVISED | APPROVED | | | | | | | | | | |
| REVISIONS | | | | | | | | | | | | | | |
| www.xk-dg.cn www.helloxkb.com www.helloxkb.cn | | | | | | | | | | | | | | |

X-ON Electronics

Largest Supplier of Electrical and Electronic Components

Click to view similar products for [USB Connectors](#) category:

Click to view products by [XKB](#) manufacturer:

Other Similar products are found below :

[10033527-N3112MLF](#) [17-210561](#) [GMCB05B11124H1EU](#) [17-200931](#) [65-647-8-BK-BU](#) [690-010-295-484](#) [73725-1191BLF](#) [950](#) [E8144-B01021-L](#) [A-USB A-LP-SMT-C](#) [A-USB B-TOP-C](#) [MUSBA511N5](#) [MUSBB15131](#) [MUSBC111M5](#) [MUSBD11135](#) [217450-1](#) [CA 6 W LD](#)
[896-30-004-00-000000](#) [KUSBVX-BS1N-W30](#) [KUSBX-AP-KIT-SCBLK](#) [KUSBX-AS2N-W](#) [KUSBX-SMT2AP1S-W](#) [KUSBX-SMTAS1NBTR](#) [KUSBX-SMTBS1NBTR](#) [30-498-6](#) [SK-60A-2](#) [17-200261](#) [17-210051](#) [1734082-1](#) [FK-37-32SL](#) [30-1574](#) [30-470](#) [30-489](#) [30-541](#) [30-572-3](#) [30-9503](#) [M9177/2-1](#) [MAB 5 S](#) [MIKROE-1451](#) [33UBBR-04SW11R](#) [USBFTV2PEM2G](#) [USBFTVC6ZN](#) [USBFTVSCCG](#)
[KUSBX-AS2N-W30](#) [KUSBX-SLAS1N-W](#) [KUSBX-SLAS1N-W30](#) [1-1734084-2](#) [E8110-001-01](#) [MUSBC11135](#) [NK-27-32SL](#)