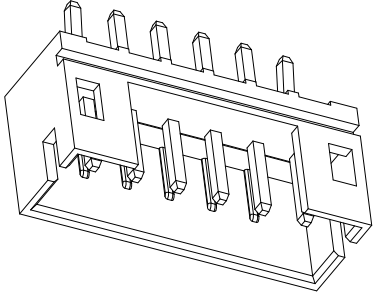
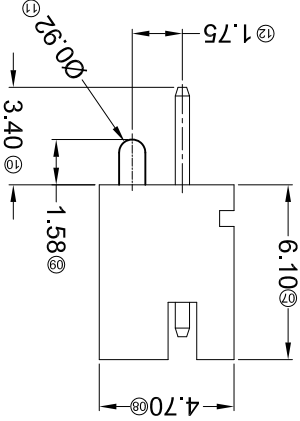
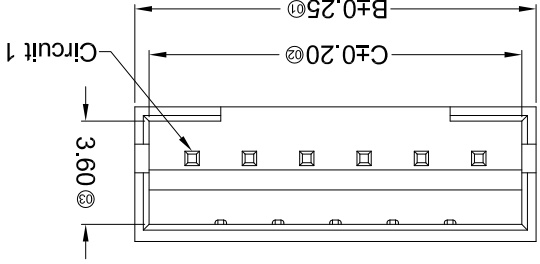
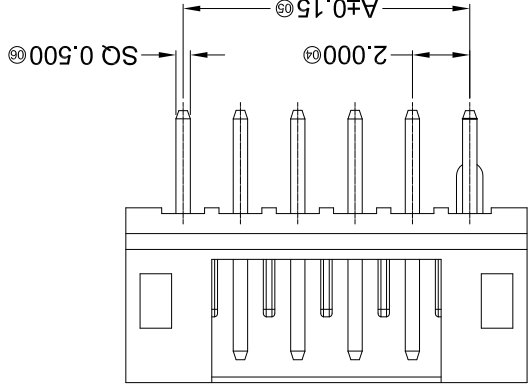
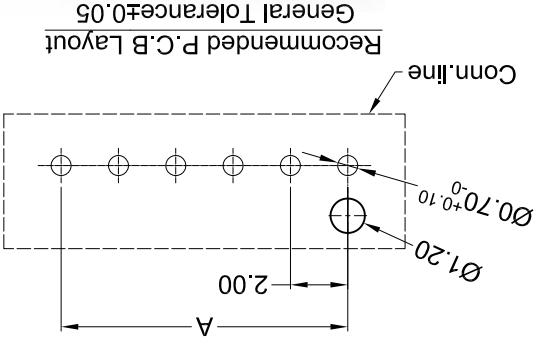


For and on behalf of
XKB INDUSTRIAL PRECISION CO., LIMITED
 香港星坤工業精密有限公司

MARK	DESCRIPTION	REVISIONS			UNSPECIFIED TOLERANCES		
		DATE	REVISED	APPROVED	DATE	APPROVED	UNSPECIFIED TOLERANCES
△X						L > 63	±0.5
△X						16 > L ≤ 63	±0.4
△X						4 < L ≤ 16	±0.3
						L ≤ 4	±0.2
						ANGULAR	±5°

REVISION	SHEET	WEIGHT	XKB INDUSTRIAL PRECISION CO., LIMITED			
A0	1/1	1.0g				
			SIZE: A4	DATE	DATE	DATE
			UNIT: mm	DATE	DATE	DATE
			VIEW:	DATE	DATE	DATE
			SCALE: N/A	DATE	DATE	DATE
			MODEL TYPE: X2016WV-XXS-LPSN			
			PART NO.:			
			2.00 mm Crimp Style Connectors			
			DWG NO.:			



PART NO	Material	Material(Pin)	Finish(Pin)	Suitable XKB Terminal
X2016WV-XXS-LPSN	LCP UL 94V-0	Brass	Tin-Plated	X2016H

Poles	Dimensions (mm)			Poles	Dimensions (mm)		
	A	B	C		A	B	C
02	2.00	6.00	5.00	09	16.00	20.00	19.00
03	4.00	8.00	7.00	10	18.00	22.00	21.00
04	6.00	10.00	9.00	11	20.00	24.00	23.00
05	8.00	12.00	11.00	12	22.00	26.00	25.00
06	10.00	14.00	13.00	13	24.00	28.00	27.00
07	12.00	16.00	15.00	14	26.00	30.00	29.00
08	14.00	18.00	17.00	15	28.00	32.00	31.00

- ① Series No. X2016 W V X-XX S-LP SN XX
- ② Category: W-WAFER
- ③ Welding Board Angle: V-Straight 180°
- ④ Welding Way: Blank-DIP
- ⑤ Row No.-Pin No.: XX-02P~20P
- ⑥ Plug the Pin & Special No.: Blank-Without Kink,S-With Post;
- ⑦ Material: LP-LCP 94V-0;
- ⑧ Plating Category: SN-Bright Tin Plating
- ⑨ Color: Blank-Natural Color;

- Specifications:
- Voltage rating: 100V AC / DC
 - Current rating: 2A AC / DC
 - Withstanding voltage: 800V AC/minute
 - Temperature range: -25°C~+85°C
 - Insulation resistance: ≥1000MΩ
 - Contact resistance: ≤10mΩ
 - After environmental testing: ≤20mΩ

For and on behalf of
XKB INDUSTRIAL PRECISION CO., LIMITED
 香港星坤工業精密有限公司

MARK	DESCRIPTION	DATE	REVISED	APPROVED	UNSPECIFIED TOLERANCES	
					L > 63	± 0.5
△ X					16 > L ≤ 63	± 0.4
△ X					4 < L ≤ 16	± 0.3
△ X					L ≤ 4	± 0.2
					ANGULAR	± 5°

REVISIONS	SIGNATURE(S)	

REV	DATE	DESCRIPTION
1		

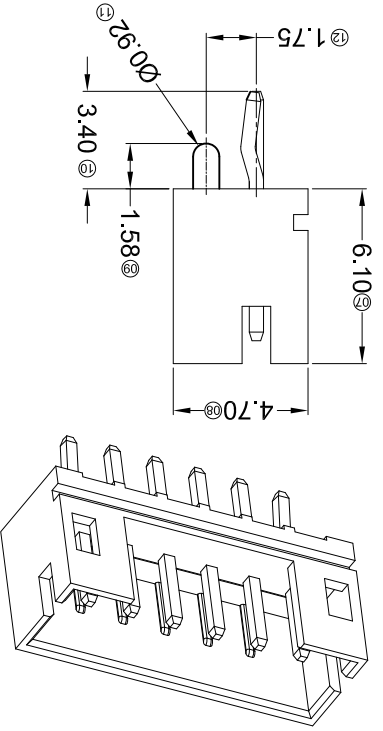
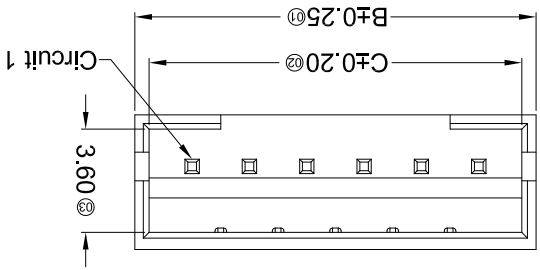
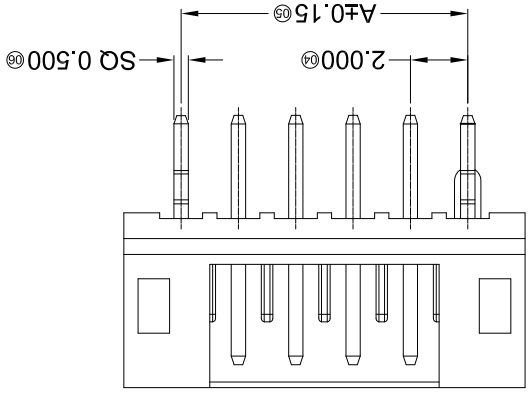
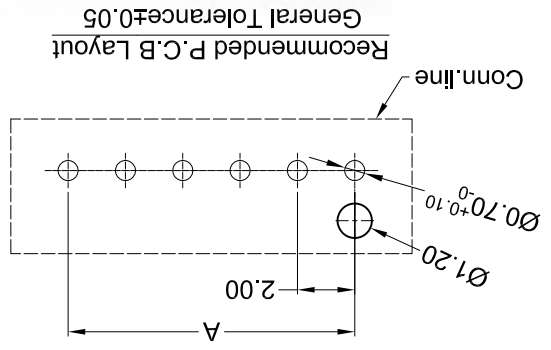
APPD	DATE	SIZE: A4

CHKD	DATE	UNIT: mm

DWN	DATE	VIEW:

DSND	DATE	SCALE: N/A

MODEL TYPE:	PART NO.:	WEIGHT:	SHEET:	REVISION:
2016WV-XXKS-4TSN	2.00 mm Crimp Style Connectors	1.0g	1/1	A0



PART NO	Material	Material(Pin)	Finish(Pin)	Suitable XKB Terminal
X2016WV-XXKS-4TSN	LCP UL 94V-0	Brass	Tin-Plated	X2016H

Poles	Dimensions (mm)		
	A	B	C
02	2.00	6.00	5.00
03	4.00	8.00	7.00
04	6.00	10.00	9.00
05	8.00	12.00	11.00
06	10.00	14.00	13.00
07	12.00	16.00	15.00
08	14.00	18.00	17.00

Poles	Dimensions (mm)		
	A	B	C
09	16.00	20.00	19.00
10	18.00	22.00	21.00
11	20.00	24.00	23.00
12	22.00	26.00	25.00
13	24.00	28.00	27.00
14	26.00	30.00	29.00
15	28.00	32.00	31.00

- Specifications :**
- Voltage rating: 100V AC / DC
 - Current rating: 2A AC / DC
 - Withstanding voltage: 800V AC/minute
 - Temperature range: -25°C~+85°C
 - Insulation resistance: ≥1000MΩ
 - Contact resistance: ≤10mΩ
 - After environmental testing: ≤20mΩ
- ① Series No.
 ② Category: W-WAFER
 ③ Welding Board Angle: V-Straight 180°
 ④ Welding Way: Blank-DIP
 ⑤ Row No.-Pin No.: XX-02P~20P
 ⑥ Plug the Pin & Special No.: K-With kink,S-With Post;
 ⑦ Material: 4T-PA4T 94V-0;
 ⑧ Plating Category: SN-Bright Tin Plating
 ⑨ Color : Blank-Natural Color;

X2016 W V X-XX KS-4T SN XX

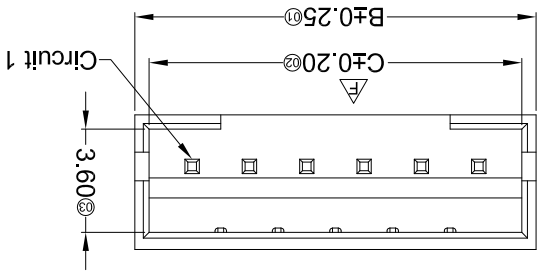
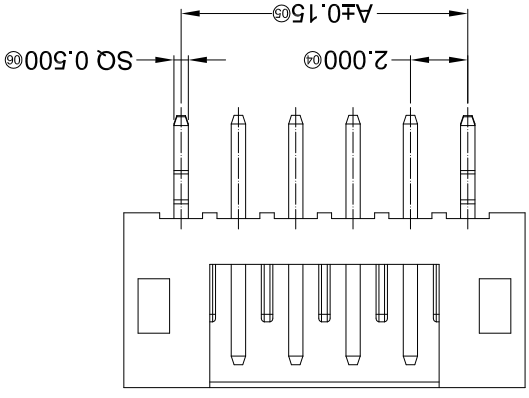
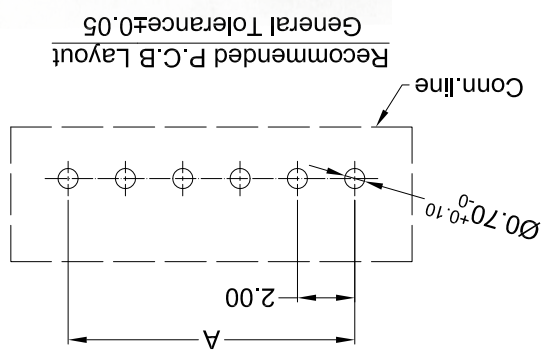
- ①
- ②
- ③
- ④
- ⑤
- ⑥
- ⑦
- ⑧
- ⑨

For and on behalf of
XKB INDUSTRIAL PRECISION CO., LIMITED
 香港星坤工業精密有限公司

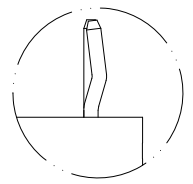
MARK	DESCRIPTION	REVISIONS			UNSPECIFIED TOLERANCES
		DATE	REVISED	APPROVED	
△ X					L > 63
△ X					16 > L ≤ 63
△ X					4 < L ≤ 16
△ X					L ≤ 4
					ANGULAR
					± 5°

REVISION		WEIGHT	XKB INDUSTRIAL PRECISION CO., LIMITED	
NO.	DESCRIPTION	1.0g	DATE	SIZE: A4
A0		1/1		

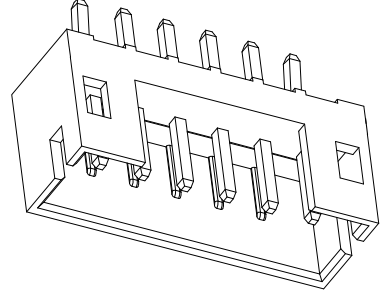
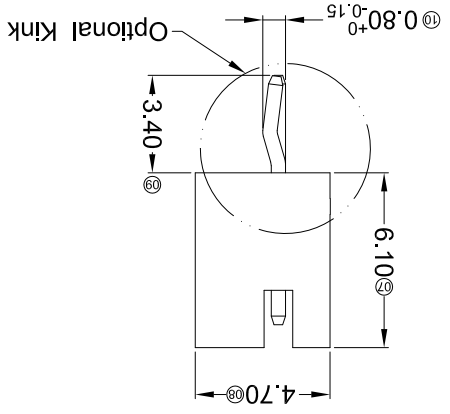
DNSD	DATE	SCALE: N/A	MODEL TYPE: X2016WV-XXKX-XXXXX
DWN	DATE	VIEW:	PART NO.:
CHKD	DATE	UNIT: mm	DWG NO.:
APPD	DATE	DATE	2.00 mm Crimp Style Connectors



Reverse Kink(K1)



Kink(K)



PART NO	Material	Material(Pin)	Finish(Pin)	Suitable XKB Terminal
X2016WV-XXKX-N0V01	Nylon 66 UL 94V-0	Brass	Tin-Plated	X2016H
X2016WV-XXKX-46SNGV	Nylon 46 UL 94V-0 Gray		Gold-Flash	
X2016WV-XXKX-46SNGV	Nylon 46 UL 94V-0 Gray	Tin-Plated		

Poles	Dimensions (mm)			Poles	Dimensions (mm)		
	A	B	C		A	B	C
02	2.00	6.00	4.80	09	16.00	20.00	18.80
03	4.00	8.00	6.80	10	18.00	22.00	20.80
04	6.00	12.00	8.80	11	22.00	24.00	22.80
05	8.00	16.00	10.80	12	24.00	26.00	24.80
06	10.00	20.00	12.80	13	26.00	28.00	26.80
07	12.00	24.00	14.80	14	28.00	30.00	28.80
08	14.00	28.00	16.80	15	30.00	32.00	30.80

- ① Series No. X2016 W V X-XX KX -N0 SN XX
- ② Category: W-WAFER
- ③ Welding Board Angle: V-Straight 180°
- ④ Welding Way: Blank-DIP
- ⑤ Row No.-Pin No.: XX-02P~20P
- ⑥ Plug the Pin & Special No.: K-Kink ; K1-Reverse Kink ;
- ⑦ Material: 46 -PA46 94V-0 ; N0-PA66 94V-0
- ⑧ Plating Category: SN-Bright Tin Plating ; V01-Gold Flash
- ⑨ Color : Blank-Natural Color ; GY-Gray

- Specifications :
- Voltage rating: 100V AC / DC
 - Current rating: 2A AC / DC
 - Withstanding voltage: 800V AC/minute
 - Temperature range: -25°C~+85°C
 - Insulation resistance: ≥1000MΩ
 - Contact resistance: ≤10mΩ
 - After environmental testing: ≤20mΩ

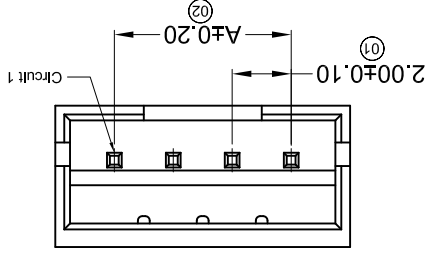
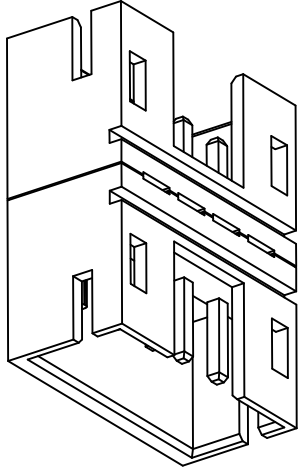
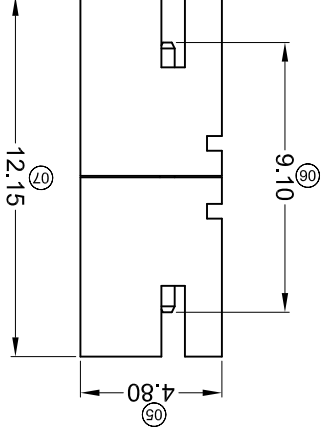
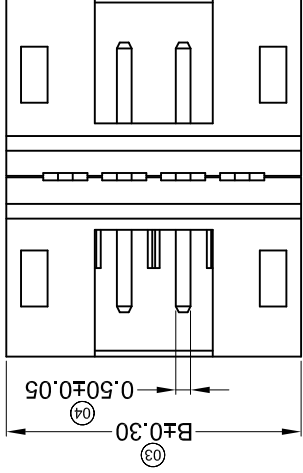
For and on behalf of
XKB INDUSTRIAL PRECISION CO., LIMITED
 香港星坤工業精密有限公司

MARK	DESCRIPTION	REVISIONS			UNSPECIFIED TOLERANCES	
		DATE	REVISED	APPROVED	L > 63	± 0.5
△ X					16 < L ≤ 63	± 0.4
△ X					4 < L ≤ 16	± 0.3
△ X					L ≤ 4	± 0.2
					ANGULAR	± 5°

REVISION		WEIGHT	XKB INDUSTRIAL PRECISION CO., LIMITED	
NO.	DESCRIPTION	1.0g	SIZE: A4	DATE
A0		1/1		

DNSD	DATE	SCALE: N/A	MODEL TYPE: 2016WV-XXH2-N0SN
DWN	DATE	VIEW:	PART NO.:
CHKD	DATE	UNIT: mm	DWG NO.:
APPD	DATE	SIZE: A4	2.00 mm Crimp Style Connector

PART NO	Material	Material(Pin)	Finish(Pin)	Suitable XKB Terminal	Qty/Bag
X2016WV-XXH2-N0SN	Nylon 66 UL 94V-0	Brass	Tin-Plated	X2016H	1,000Pcs



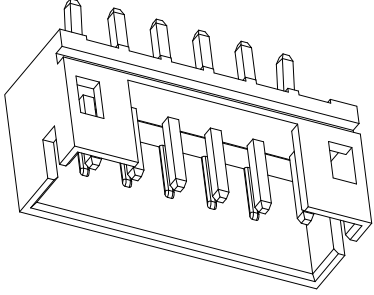
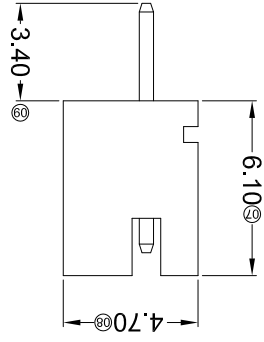
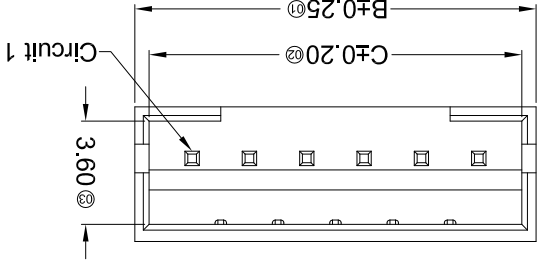
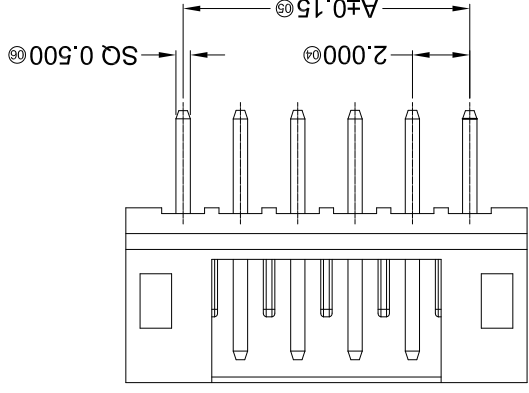
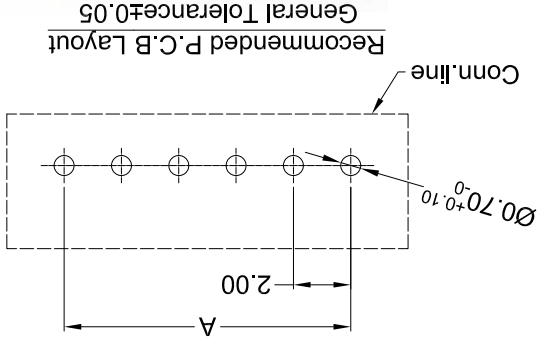
Poles		Dimensions (mm)	
A	B	A	B
02	2.00	6.00	6.00
03	4.00	8.00	8.00
04	6.00	10.00	10.00
05	8.00	12.00	12.00
06	10.00	14.00	14.00
07	12.00	16.00	16.00
08	14.00	18.00	18.00
09	16.00	20.00	20.00
10	18.00	22.00	22.00
11	20.00	24.00	24.00
12	22.00	26.00	26.00
13	24.00	28.00	28.00
14	26.00	30.00	30.00
15	28.00	32.00	32.00
16	30.00	34.00	34.00
17	32.00	36.00	36.00
18	34.00	38.00	38.00
19	36.00	40.00	40.00
20	38.00	42.00	42.00

- ① Series No. X2016 W V X-XX H2-N0 SN XX
- ② Category: W-WAFER
- ③ Welding Board Angle: V-180°; R-90°
- ④ Welding Way: Blank-DIP; S-SMT
- ⑤ Row No.-Pin No.: XX-Single Row; 2*XX-Double Row
- ⑥ Plug the Pin & Special No.: H2-Double sided insert
- ⑦ Material: N0-PA66 94V-0; 6T-PA6T 94V-0; 46-PA46
- ⑧ Plating Category: G**-Gold Plated Contact
 V**- All Gold-Plated
 01-Gold Flash 02-2u" 03-3u"
 05-5u" 10-10u" 15-15u"
 SN-Bright Tin Plating (70-120u")
 SN1-Bright Tin Plating (120u" Min).
 0-No Plating Material
 SW- Fog Tin Plating
 HS-Hight temperature Tin
- ⑨ Color: Blank-Natural Color

- Specifications:
- Voltage rating: 100V AC / DC
 - Current rating: 2A AC / DC
 - Withstanding voltage: 800V AC/minute
 - Temperature range: -25°C~+85°C
 - Insulation resistance: ≥1000MΩ
 - Contact resistance: ≤10mΩ
 - After environmental testing: ≤20mΩ

For and on behalf of
KXB INDUSTRIAL PRECISION CO., LIMITED
 香港星坤工業精密有限公司

MARK	DESCRIPTION	REVISIONS			UNSPECIFIED TOLERANCES
		DATE	REVISED	APPROVED	
△X					L > 63
△X					16 > L ≤ 63
△X					4 < L ≤ 16
△X					L ≤ 4
					ANGULAR
					±5°



PART NO	Material	Material(Pin)	Finish(Pin)	Suitable XKB Terminal
X2016WV-XX-6TSN	Nylon 6T UL94V-0	Brass	Tin-Plated	X2016H
X2016WV-XX-46SN	Nylon 46 UL 94V-0	Brass	Tin-Plated	X2016H
X2016WV-XX-N0SN	Nylon 66 UL 94V-0			

Poles	Dimensions (mm)			Poles	Dimensions (mm)		
	A	B	C		A	B	C
02	2.00	6.00	5.00	09	16.00	20.00	19.00
03	4.00	8.00	7.00	10	18.00	22.00	21.00
04	6.00	10.00	9.00	11	20.00	24.00	23.00
05	8.00	12.00	11.00	12	22.00	26.00	25.00
06	10.00	14.00	13.00	13	24.00	28.00	27.00
07	12.00	16.00	15.00	14	26.00	30.00	29.00
08	14.00	18.00	17.00	15	28.00	32.00	31.00

- ① Series No. X2016 W V X-XX XX -N0 SN XX
- ② Category: W-WAFER
- ③ Welding Board Angle: V-Straight 180°
- ④ Welding Way: Blank-DIP
- ⑤ Row No.-Pin No.: XX-02P~20P
- ⑥ Plug the Pin & Special No.: Blank-Without Kink
- ⑦ Material: 46 -PA46 94V-0 ; N0-PA66 94V-0 ;
- ⑧ Plating Category: SN-Bright Tin Plating
- ⑨ Color : Blank-Natural Color ; GY-Gray

- Specifications :
- Voltage rating: 100V AC / DC
 - Current rating: 2A AC / DC
 - Withstanding voltage: 800V AC/minute
 - Temperature range: -25°C~+85°C
 - Insulation resistance: ≥1000MΩ
 - Contact resistance: ≤10mΩ
 - After environmental testing: ≤20mΩ

DATE	SCALE: N/A	MODEL TYPE: X2016WV-XX-XXSN
DNSD	DATE	SCALE: N/A
DWN	DATE	VIEW:
CHKD	DATE	UNIT: mm
APPD	DATE	SIZE: A4
DWG NO.: 2.00 mm Crimp Style Connectors		
REVISION	SHEET	WEIGHT
A0	1/1	1.0g

KXB INDUSTRIAL PRECISION CO., LIMITED

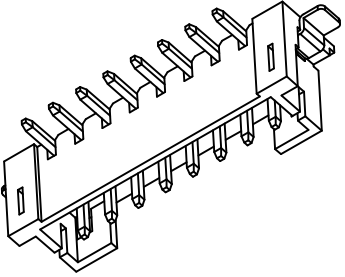
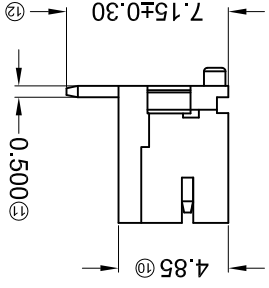
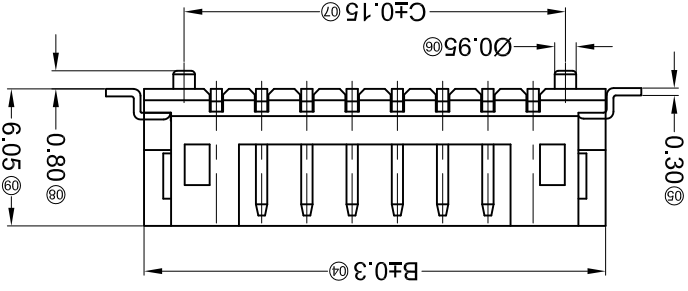
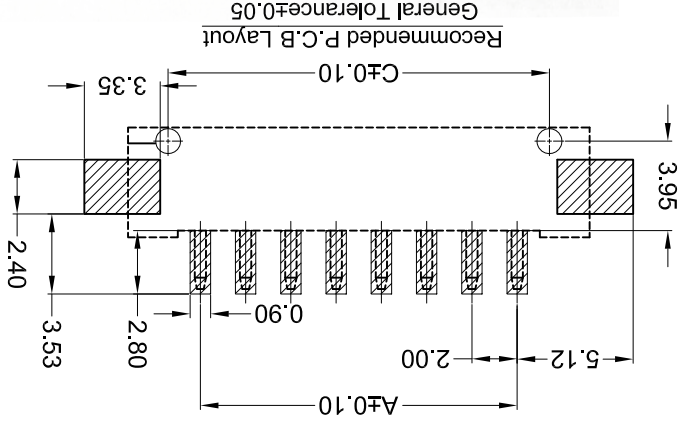
For and on behalf of
XKB INDUSTRIAL PRECISION CO., LIMITED
 香港星坤工業精密有限公司

MARK	DESCRIPTION	DATE	REVISID	APPROVED	UNSPECIFIED TOLERANCES
△ X					L > 63 ±0.5
△ X					16 < L ≤ 63 ±0.4
△ X					4 < L ≤ 16 ±0.3
					L ≤ 4 ±0.2
					ANGULAR ±5°

REVISIONS	SIGNATURE(S)	
DATE	REVISID	APPROVED

DSND	DATE	SCALE: N/A	MODEL TYPE: X2016WVS-XXS-46SN
DWN	DATE <td>VIEW: </td> <td>PART NO.:</td>	VIEW:	PART NO.:
CHKD	DATE <td>UNIT: mm</td> <td>DWG NO.:</td>	UNIT: mm	DWG NO.:
APPD	DATE <td>SIZE: A4</td> <td></td>	SIZE: A4	

WEIGHT	SHEET	REVISION
1.0g	1/1	A0



Poles	Dimensions (mm)		
	A	B	C
02	2.00	8.40	4.85
03	4.00	10.40	6.85
04	6.00	12.40	8.85
05	8.00	14.40	10.85
06	10.00	16.40	12.85
07	12.00	18.40	14.85
08	14.00	20.40	16.85

PART NO	Material	Material(Pin and Solder Tabs)	Thin-Plated	Suitable XKB Terminal
X2016WVS-XXS-46SN	PA46 UL 94V-0	Brass		X2016H

- X2016 W V S-XX S -46 SN XX
- ① Series No.
 - ② Category: W-WAFER
 - ③ Welding Board Angle: V-Straight 180°
 - ④ Welding Way: S-SMT
 - ⑤ Row No.-Pin No.: XX-02P~20P
 - ⑥ Plug the Pin & Special No.:
 - ⑦ S-With positioning column
 - ⑧ Material: 46 -PA46 94V-0;
 - ⑨ Plating Category: SN-Bright Tin Plating
 - ⑩ Color: Blank-Natural Color

- Specifications:
- Voltage rating: 100V AC / DC
 - Current rating: 2A AC / DC
 - Withstanding voltage: 800V AC/minute
 - Temperature range: -25°C~+85°C
 - Insulation resistance: ≥1000MΩ
 - Contact resistance: ≤10mΩ
 - After environmental testing: ≤20mΩ

REVISIONS		APPROVED		REVISED		DATE	
MARK	DESCRIPTION						
△X							
△X							
△X							

For and on behalf of
XKB INDUSTRIAL PRECISION CO., LIMITED
 香港星坤工業精密有限公司

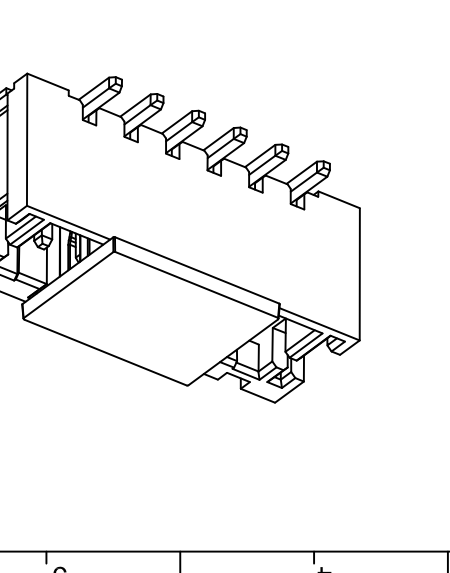
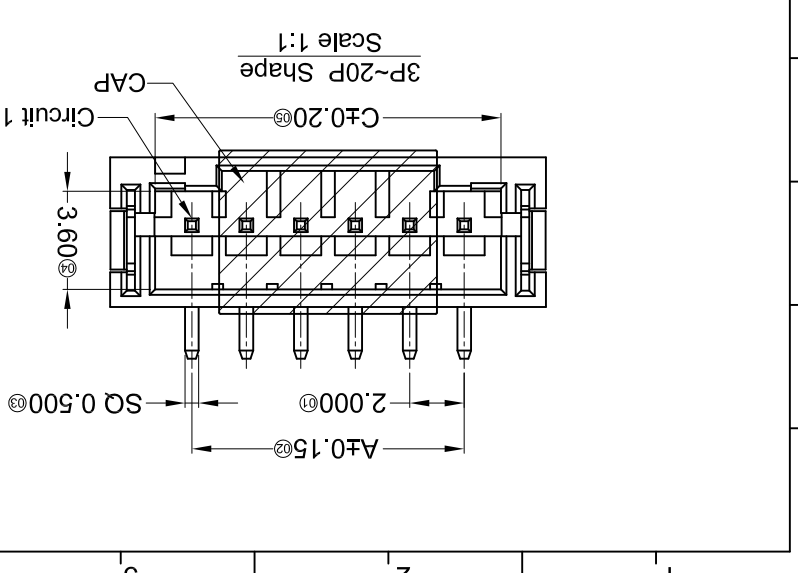
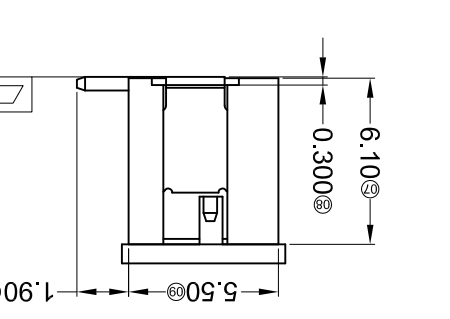
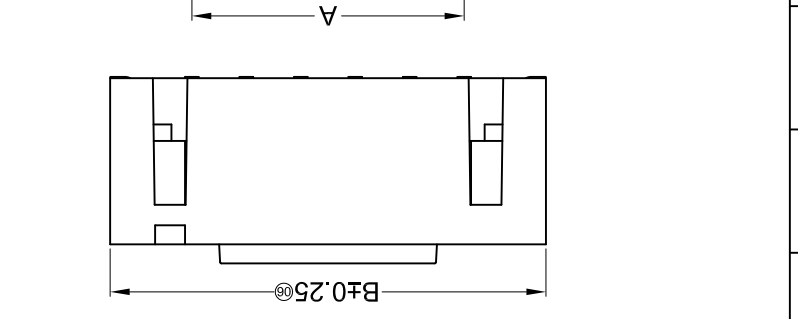
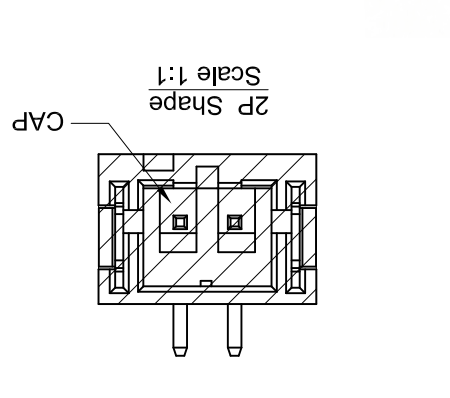
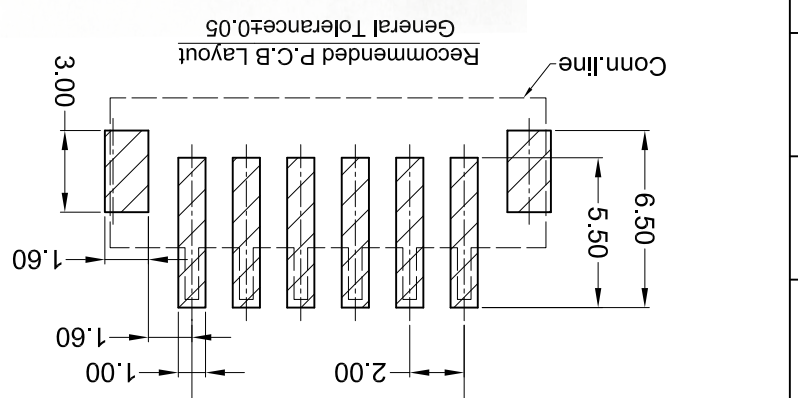
(Authorized Signatures)

UNSPECIFIED TOLERANCES		APPROVED		REVISED		DATE	
MARK	DESCRIPTION						
△X							
△X							
△X							

For and on behalf of
XKB INDUSTRIAL PRECISION CO., LIMITED
 香港星坤工業精密有限公司

(Authorized Signatures)

DSND	DATE	SCALE: N/A	MODEL TYPE: 2016WVS-XX-XXXXXXX
DWN	DATE	VIEW:	PART NO.: 2.00mm Crimp Style Connectors
CHKD	DATE	UNIT: mm	DWG NO.:
APPD	DATE	SIZE: A4	REVISION
		WEIGHT	1.0g
		SHEET	1/1
		REVISION	A0



Poles		Dimensions (mm)		Poles		Dimensions (mm)	
02	A	2.00	8.00	09	A	16.00	22.00
	B	4.00	10.00	10	B	18.00	24.00
	C	6.00	12.00	11	C	20.00	26.00
04	A	8.00	14.00	12	A	22.00	28.00
	B	10.00	16.00	13	B	24.00	30.00
	C	12.00	18.00	14	C	26.00	32.00
06	A	14.00	20.00	15	A	28.00	34.00
	B	16.00	22.00	16	B	30.00	36.00
	C	18.00	24.00	17	C	32.00	38.00
08	A	20.00	26.00	18	A	34.00	40.00
	B	22.00	28.00	19	B	36.00	42.00
	C	24.00	30.00	20	C	38.00	44.00
		26.00	32.00			40.00	46.00
		28.00	34.00			42.00	48.00
		30.00	36.00			44.00	50.00
		32.00	38.00			46.00	52.00
		34.00	40.00			48.00	54.00
		36.00	42.00			50.00	56.00
		38.00	44.00			52.00	58.00
		40.00	46.00			54.00	60.00
		42.00	48.00			56.00	62.00
		44.00	50.00			58.00	64.00
		46.00	52.00			60.00	66.00
		48.00	54.00			62.00	68.00
		50.00	56.00			64.00	70.00
		52.00	58.00			66.00	72.00
		54.00	60.00			68.00	74.00
		56.00	62.00			70.00	76.00
		58.00	64.00			72.00	78.00
		60.00	66.00			74.00	80.00
		62.00	68.00			76.00	82.00
		64.00	70.00			78.00	84.00
		66.00	72.00			80.00	86.00
		68.00	74.00			82.00	88.00
		70.00	76.00			84.00	90.00
		72.00	78.00			86.00	92.00
		74.00	80.00			88.00	94.00
		76.00	82.00			90.00	96.00
		78.00	84.00			92.00	98.00
		80.00	86.00			94.00	100.00

① Series No.
 ② Category: W-WAFER
 ③ Welding Board Angle: V-Straight 180°
 ④ Welding Way: S-SMT
 ⑤ Row No.-Pin No.: XX-02P~20P
 ⑥ Plug the Pin & Special No.
 ⑦ Material: LP-LCP 94V-0; 9T-PA9T 94V-0
 ⑧ Plating Category: SW-Matte Tin Plating; V01-Gold Flash
 ⑨ Color: HF-Halogen Free;

■ Specifications :
 • Voltage rating: 100V AC / DC
 • Current rating: 2A AC / DC
 • Withstanding voltage: 800V AC/minute
 • Temperature range: -25°C~+85°C
 • Insulation resistance: ≥1000MΩ
 • Contact resistance: ≤10mΩ
 • After environmental testing: ≤20mΩ

X2016 W V S-XX X-XX XXX XX

8 7 6 5 4 3 2 1

For and on behalf of
KXB INDUSTRIAL PRECISION CO., LIMITED
 香港星坤工業精密有限公司

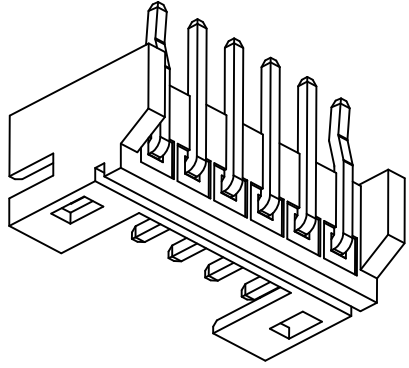
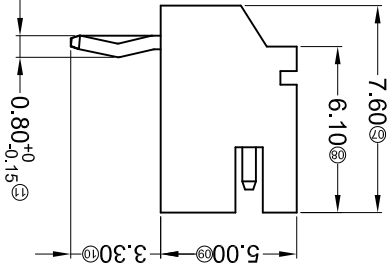
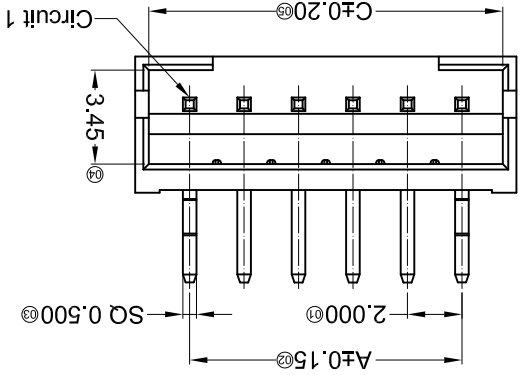
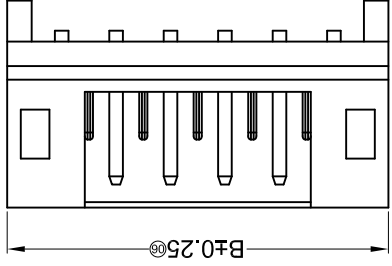
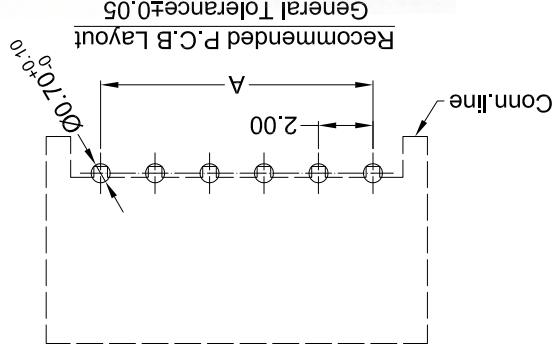
MARK	DESCRIPTION	DATE	REVISD	APPROVED	UNSPECIFIED TOLERANCES
△ X					L > 63
△ X					16 > L ≤ 63
△ X					4 < L ≤ 16
△ X					L ≤ 4
					ANGULAR
					±5°

REVISIONS	DATE	REVISD	APPROVED	UNSPECIFIED TOLERANCES
				L > 63
				16 > L ≤ 63
				4 < L ≤ 16
				L ≤ 4
				ANGULAR
				±5°

DATE	SCALE: N/A	MODEL TYPE:	2016WR-XXK-N0SN
DWNDN	VIEW:	PART NO.:	2016WR-XXK-N0SN
CHKD	UNIT: mm	DWG NO.:	
APPD	DATE	SIZE: A4	
	DATE		
	DATE		

DATE	SCALE: N/A	MODEL TYPE:	2016WR-XXK-N0SN
DWNDN	VIEW:	PART NO.:	2016WR-XXK-N0SN
CHKD	UNIT: mm	DWG NO.:	
APPD	DATE	SIZE: A4	
	DATE		
	DATE		

WEIGHT	SHEET	REVISION
1.0g	1/1	A0



PART NO	Material	Material(Pn)	Finish(Pn)	Suitable XKB Terminal
X2016WR-XXK-N0SN	Nylon 66 UL 94V-0	Brass	Tin-Plated	X2016H

Dimensions (mm)	Poles	Dimensions (mm)	Poles
02	A	09	A
03	B	10	B
04	C	11	C
05	A	12	A
06	B	13	B
07	C	14	C
08	A	15	A
	B	16	B
	C	17	C
	A	18	A
	B	19	B
	C	20	C
	A	21	A
	B	22	B
	C	23	C
	A	24	A
	B	25	B
	C	26	C
	A	27	A
	B	28	B
	C	29	C
	A	30	A
	B	31	B
	C	32	C
	A	33	A
	B	34	B
	C	35	C
	A	36	A
	B	37	B
	C	38	C
	A	39	A
	B	40	B
	C	41	C
	A	42	A
	B	43	B
	C	44	C
	A	45	A
	B	46	B
	C	47	C
	A	48	A
	B	49	B
	C	50	C

① Series No.
 ② Category: W-WAFER
 ③ Welding Board Angle: R-Right Angle 90°
 ④ Welding Way: Blank-DIP
 ⑤ Row No.-Pin No.: XX-02P~20P
 ⑥ Plug the Pin & Special No.: K-kink, DIP=3.30mm
 ⑦ Material: N0-PA66 94V-0
 ⑧ Plating Category: SN-Bright Tin Plating
 ⑨ Color: Blank-Natural Color

- Specifications:
- Voltage rating: 100V AC / DC
 - Current rating: 2A AC / DC
 - Withstanding voltage: 800V AC/minute
 - Temperature range: -25°C~+85°C
 - Insulation resistance: ≥1000MΩ
 - Contact resistance: ≤10mΩ
 - After environmental testing: ≤20mΩ

For and on behalf of
XKB INDUSTRIAL PRECISION CO., LIMITED
 香港星坤工業精密有限公司

MARK	DESCRIPTION	DATE	REVISED	APPROVED	UNSPECIFIED TOLERANCES
△ X					L > 63 ±0.5
△ X					16 < L ≤ 63 ±0.4
△ X					4 < L ≤ 16 ±0.3
△ X					L ≤ 4 ±0.2
					ANGULAR ±5°

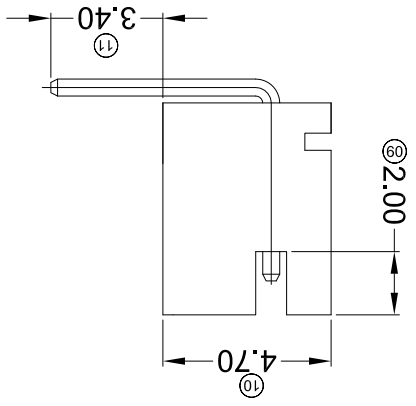
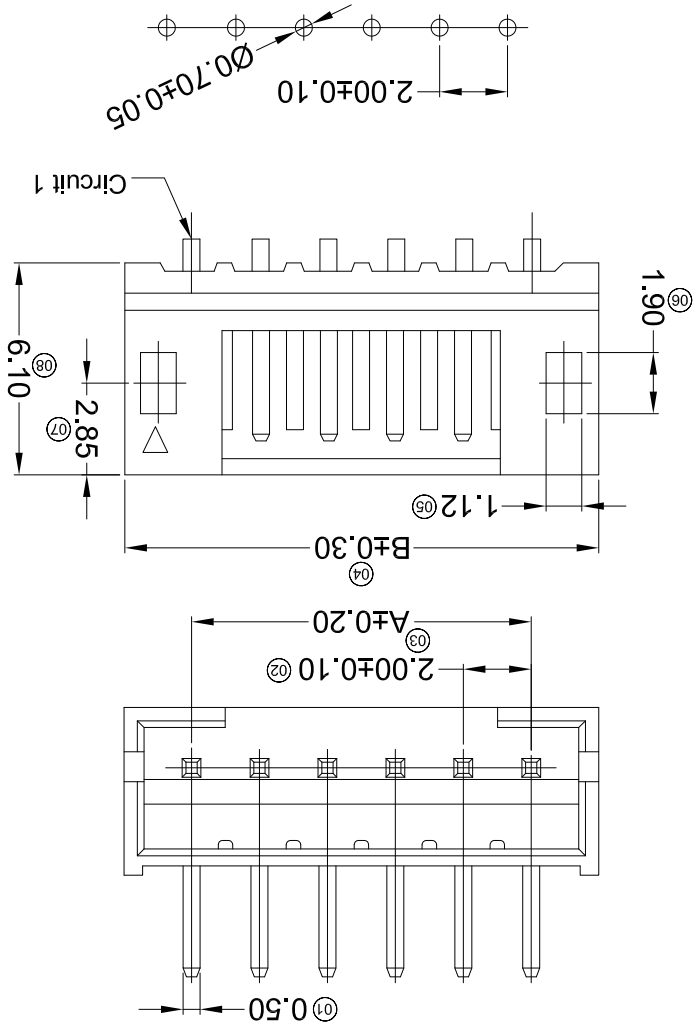
REVISION	SHEET	WEIGHT	REVISION
A0	1/1	1.0g	

DATE	DATE	DATE	DATE	DATE	DATE

SCALE: N/A	VIEW:	UNIT: mm	SIZE: A4

MODEL TYPE:	PART NO.:	DWG NO.:
X2016WR-XXB-N0SN		2.00 mm Crimp Style Connector

Recommend PCB Layout



PART NO	Material	Material(Pin)	Finish(Pin)	Suitable XKB Terminal	Q'ty/Bag
X2016WR-XXB-N0SN	Nylon 66 UL 94V-0	Brass	Tin-Plated	XZ016H	1,000Pcs

Poles	A	B
02	2.00	6.00
03	4.00	8.00
04	6.00	10.00
05	8.00	12.00
06	10.00	14.00
07	12.00	16.00
08	14.00	18.00
09	16.00	20.00
10	18.00	22.00
11	20.00	24.00
12	22.00	26.00
13	24.00	28.00
14	26.00	30.00
15	28.00	32.00
16	30.00	34.00
17	32.00	36.00
18	34.00	38.00
19	36.00	40.00
20	38.00	42.00

- ① Series No. X2016 WR X-XX B-N0 SN XX
- ② Category: W-WAFER
- ③ Welding Board Angle: V-180° ; R-90°
- ④ Welding Way: Blank-DIP ; S-SMT
- ⑤ Row No.-Pin No.: XX-Single Row ; 2*XX-Double Row
- ⑥ Plug the Pin & Special No.:
- B-With Groove ; Without Link Stopper
- ⑦ Material: NO -PA66 94V-0
- ⑧ Plating Category: G**-Gold Plated Contact
- V** - All Gold-Plated
- 01-Gold Flash 02-2u" 03-3u"
- 05-5u" 10-10u" 15-15u"
- SN1-Bright Tin Plating (70-120u")
- SN1-Bright Tin Plating (120u" Min).
- 0-No Plating Material
- SW-Fog Tin Plating
- HS-Hight temperature Tin
- ⑨ Color : Blank-Natural Color

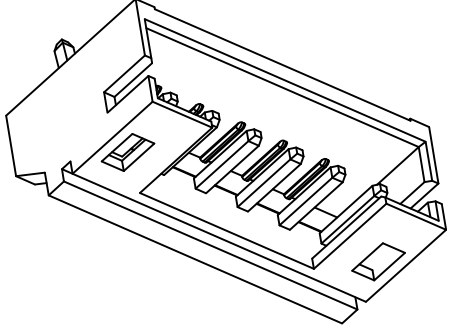
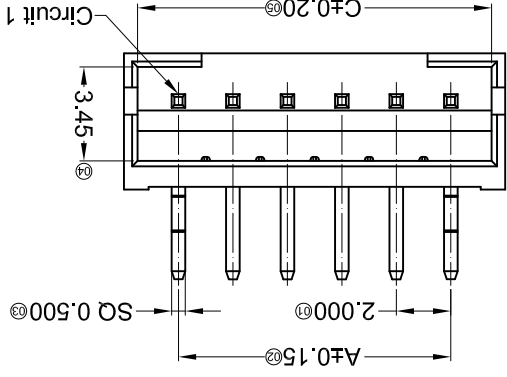
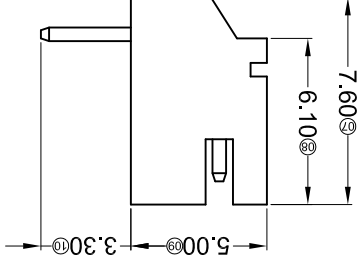
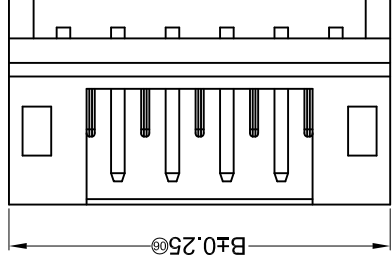
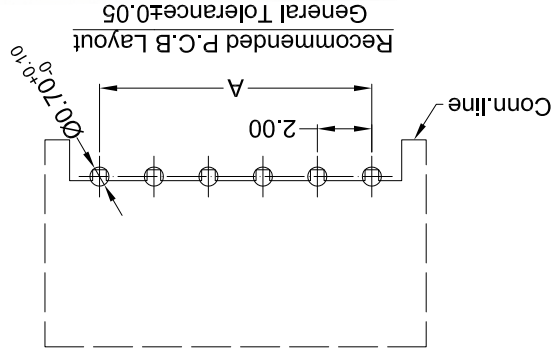
- Specifications :**
- Voltage rating: 100V AC / DC
 - Current rating: 2A AC / DC
 - Withstanding voltage: 800V AC/minute
 - Temperature range: -25°C~+85°C
 - Insulation resistance: ≥1000MΩ
 - Contact resistance: ≤10mΩ
 - After environmental testing: ≤20mΩ

For and on behalf of
XKB INDUSTRIAL PRECISION CO., LIMITED
 香港星坤工業精密有限公司
 Authorized Signatures

MARK	DESCRIPTION	DATE	REVISED	APPROVED	UNSPECIFIED TOLERANCES
△ X					L > 63
△ X					16 > L ≤ 63
△ X					4 < L ≤ 16
△ X					L ≤ 4
					ANGULAR ±5°

REVISIONS	DATE	REVISED	APPROVED	UNSPECIFIED TOLERANCES
				L > 63
				16 > L ≤ 63
				4 < L ≤ 16
				L ≤ 4
				ANGULAR ±5°

DSND	DATE	SCALE: N/A	MODEL TYPE:	2016WR-XX-NOSN
DWN	DATE <td>VIEW: </td> <td>PART NO.:</td> <td></td>	VIEW:	PART NO.:	
CHKD	DATE <td>UNIT: mm</td> <td>DWG NO.:</td> <td></td>	UNIT: mm	DWG NO.:	
APPD	DATE <td>SIZE: A4</td> <td>WEIGHT</td> <td>1.0g</td>	SIZE: A4	WEIGHT	1.0g
			SHEET	1/1
			REVISION	A0



PART NO	Material	Material(Pin)	Finish(Pin)	Suitable XKB Terminal
X2016WR-XX-NOSN	Nylon 66 UL 94V-0	Brass	Tin-Plated	X2016H

Poles	Dimensions (mm)		
	A	B	C
02	2.00	6.00	5.00
03	4.00	8.00	7.00
04	6.00	10.00	9.00
05	8.00	12.00	11.00
06	10.00	14.00	13.00
07	12.00	16.00	15.00
08	14.00	18.00	17.00
Dimensions (mm)			
Poles	A	B	C
09	16.00	20.00	19.00
10	18.00	22.00	21.00
11	20.00	24.00	23.00
12	22.00	26.00	25.00
13	24.00	28.00	27.00
14	26.00	30.00	29.00
15	28.00	32.00	31.00

- ① Series No.
 ② Category: W-WAFER
 ③ Welding Board Angle: R-Right Angle 90°
 ④ Welding Way: Blank-DIP
 ⑤ Row No.-Pin No.: XX-02P~20P
 ⑥ Plug the Pin & Special No.: Blank-Without kink
 ⑦ Material: NO-PA66 94V-0
 ⑧ Plating Category: SN-Bright Tin Plating
 ⑨ Color: Blank-Natural Color;
- X2016 W R X-XX XX -N0 SN XX
 ① ② ③ ④ ⑤ ⑥ ⑦ ⑧ ⑨

- Specifications :
- Voltage rating: 100V AC / DC
 - Current rating: 2A AC / DC
 - Withstanding voltage: 800V AC/minute
 - Temperature range: -25°C~+85°C
 - Insulation resistance: ≥1000MΩ
 - Contact resistance: ≤10mΩ
 - After environmental testing: ≤20mΩ

For and on behalf of
XKB INDUSTRIAL PRECISION CO., LIMITED
 香港星坤工業精密有限公司

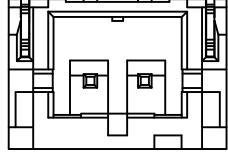
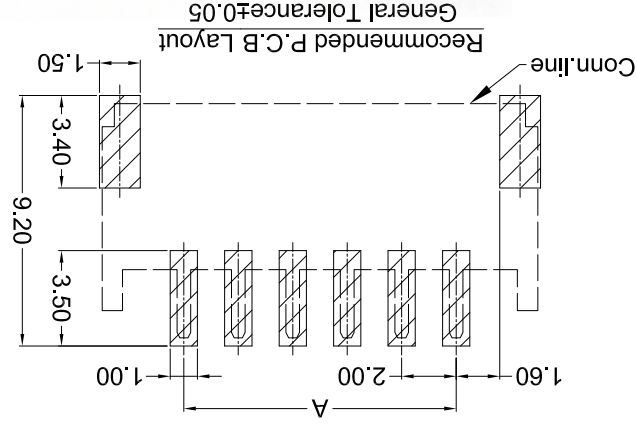
MARK	DESCRIPTION	DATE	REVISED	APPROVED	UNSPECIFIED TOLERANCES
△ X					L > 63
△ X					16 < L ≤ 63
△ X					4 < L ≤ 16
△ X					L ≤ 4
					ANGULAR
					± 5°

REVISIONS
 Authorized Signature(s)

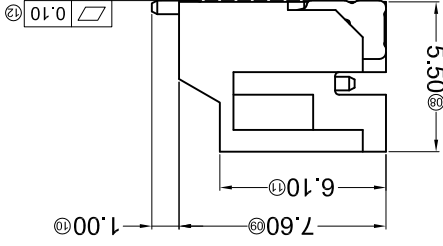
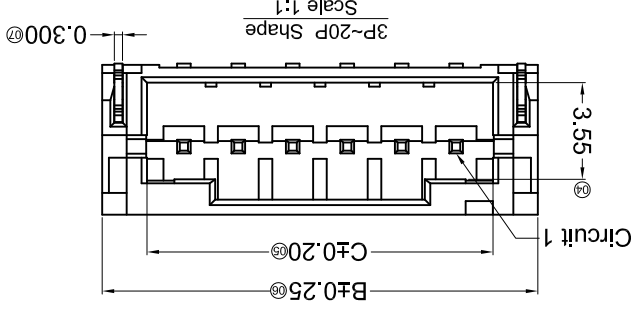
XKB INDUSTRIAL PRECISION CO., LIMITED

WEIGHT	1.0g
SHEET	1/1
REVISION	A0

DNSD	DATE	SCALE: N/A	MODEL TYPE: X2016WRS-XX-XXXXXXX
DWN	DATE	VIEW:	PART NO.:
CHKD	DATE	UNIT: mm	DWG NO.:
APPD	DATE	SIZE: A4	2.00mm Crimp Style Connectors



2P Shape
 Scale 1:1



PART NO	Material	Material (P/n)	Finish (P/n)	Material (Solder Tabs)	Suitable XKB Terminal
X2016WRS-XX-9TSM	PA9T UL 94V-0	Tin-Plated	Tin-Plated	Brass	Tin-Plated
X2016WRS-XX-LP5WHF	LCP UL 94V-0	Material	Material	Brass	Material
X2016WRS-XX-LP5SW	LCP UL 94V-0	Material	Material	Brass	Material
X2016WRS-XX-9T15BK	PA9T UL 94V-0	Gold15u"	Gold15u"	Brass	Gold-Flash
X2016WRS-XX-9T15BK Black	PA9T UL 94V-0	Material	Material	Brass	Tin-Plated
X2016WRS-XX-9T15SW	PA9T UL 94V-0	Material	Material	Brass	Tin-Plated

Poles	Dimensions (mm)		Poles	Dimensions (mm)	
	A	B		A	B
02	2.00	8.00	09	16.00	22.00
03	4.00	10.00	10	18.00	24.00
04	6.00	12.00	11	20.00	26.00
05	8.00	14.00	12	22.00	28.00
06	10.00	16.00	13	24.00	30.00
07	12.00	18.00	14	26.00	32.00
08	14.00	20.00	15	28.00	34.00
			16	30.00	36.00
			17	32.00	38.00
			18	34.00	40.00
			19	36.00	42.00
			20	38.00	44.00
				40.00	46.00
				42.00	48.00
				44.00	50.00

- Specifications :
- Voltage rating: 100V AC / DC
 - Current rating: 2A AC / DC
 - Withstanding voltage: 800V AC/minute
 - Temperature range: -25°C~+85°C
 - Insulation resistance: ≥100MΩ
 - Contact resistance: ≤10mΩ
 - After environmental testing: ≤20mΩ

X2016 W R S-XX X-XX XXX XX

- Series No.
- Category: W-WAFER
- Welding Board Angle: R-Right Angle 90°
- Welding Way: S-SMT
- Row No./Pin No.: XX-02P~20P
- Plug the Pin & Special No.
- Material: 9T-PA9T 94V-0 LP-LCP 94V-0
- Plating Category: SW-Matte Tin Plating; V15-Gold 15u"
- SN-Bright Tin Plating
- Color : HF-Halogen Free; Blank-Natural Color; BK-Black

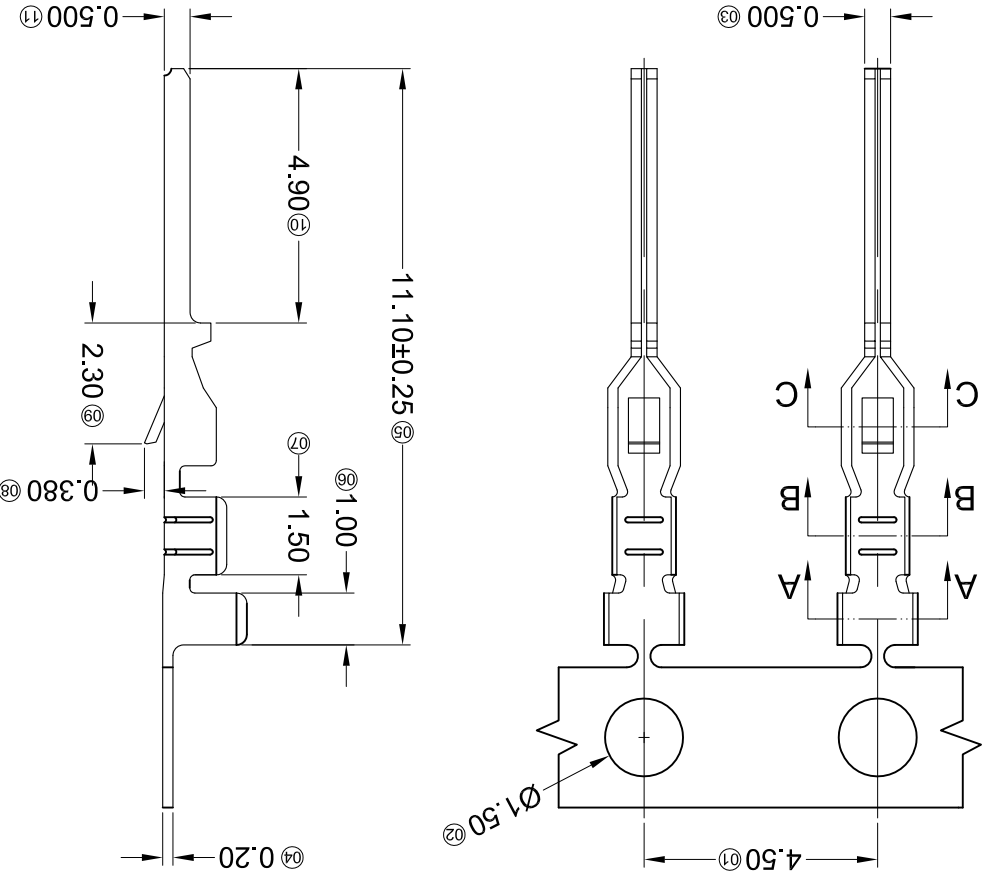
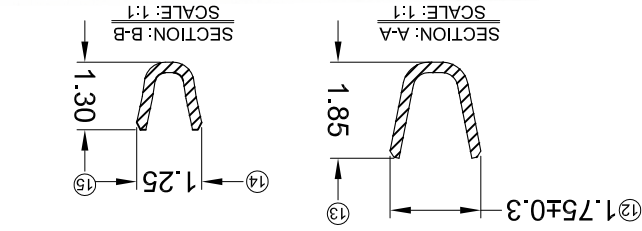
For and on behalf of
XKB INDUSTRIAL PRECISION CO., LIMITED
 香港星坤工業精密有限公司

REVISIONS		UNSPECIFIED TOLERANCES	
MARK	DESCRIPTION	APPROVED	REVISIED
△ X		L > 63	± 0.5
△ X		16 < L ≤ 63	± 0.4
△ X		4 < L ≤ 16	± 0.3
△ X		L ≤ 4	± 0.2
		ANGULAR	± 5°

REVISIONS		UNSPECIFIED TOLERANCES	
MARK	DESCRIPTION	APPROVED	REVISIED
△ X		L > 63	± 0.5
△ X		16 < L ≤ 63	± 0.4
△ X		4 < L ≤ 16	± 0.3
△ X		L ≤ 4	± 0.2
		ANGULAR	± 5°

DSND	DATE	SCALE: N/A	MODEL TYPE: X2016TM-PSN
DWN	DATE	VIEW:	PART NO.: 2.00 mm Crimp Style Connectors
CHKD	DATE	UNIT: mm	DWG NO.:
APPD	DATE	SIZE: A4	

PART NO	Material	Wire Range	Insulation O.D.	Finish	Suitable XKB Terminal
X2016TM-PSN	Phosphor Bronze	AWG#26-28	1.30mm(Max)	Stamping Before plating:30u" MIN, Nt.70u"Sn	X2016HF



X2016 T M-P SN X - X
 ① Series Number
 ② Category: T-terminal
 ③ Shape: M-Male
 ④ Material: P-Phosphor bronze
 ⑤ Plating style: SN-Bright tin plating
 ⑥ Plating method: Blank-Stamping before plating
 ⑦ Mold No./Mark/Special No.

- Specifications :
- Voltage rating: 100V AC / DC
 - Current rating: 2A AC / DC
 - Withstanding voltage: 800V AC/minute
 - Temperature range: -25°C~+85°C
 - Insulation resistance: ≥1000MΩ
 - Contact resistance: ≤10mΩ
 - After environmental testing: ≤20mΩ

8 7 6 5 4 3 2 1

1 2 3 4 5 6 7 8

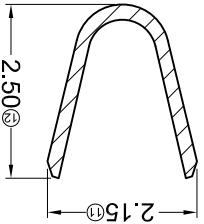
For and on behalf of
KKB INDUSTRIAL PRECISION CO., LIMITED
 香港星坤工業精密有限公司

MARK	DESCRIPTION	DATE	REVISED	APPROVED	UNSPECIFIED TOLERANCES
△ X					L > 63 ± 0.5
△ X					16 < L ≤ 63 ± 0.4
△ X					4 < L ≤ 16 ± 0.3
△ X					L ≤ 4 ± 0.2
					ANGULAR ± 5°

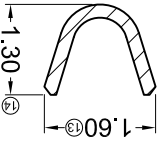
REVISION	SHEET	WEIGHT	SIZE	DATE	DATE	DATE	DATE
A0	1/1	1.0g	A4				

KKB INDUSTRIAL PRECISION CO., LIMITED
 X2016T-P-PSN
 X2016T-P-SNB
 X2016T-PV01
 X2016H
 X2016T-P-XXXX
 MODEL TYPE: X2016T-P-XXXX
 PART NO.:
 2.00 mm Crimp Style Connectors
 DWG NO.:
 SCALE: N/A
 APPD
 CHKD
 DWN
 DSND

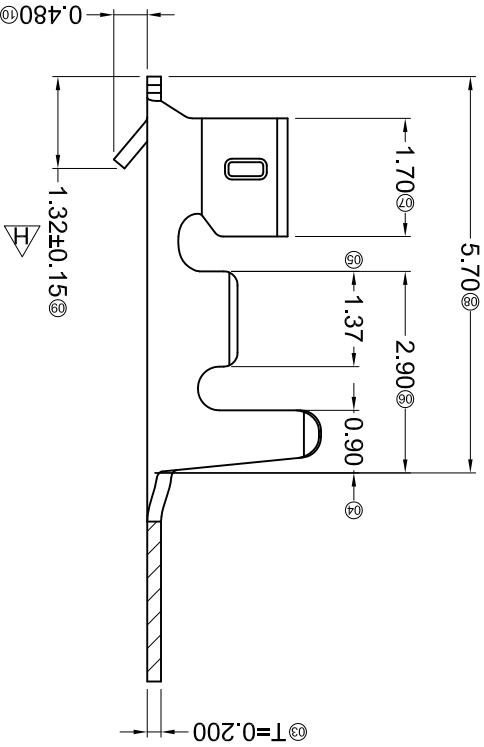
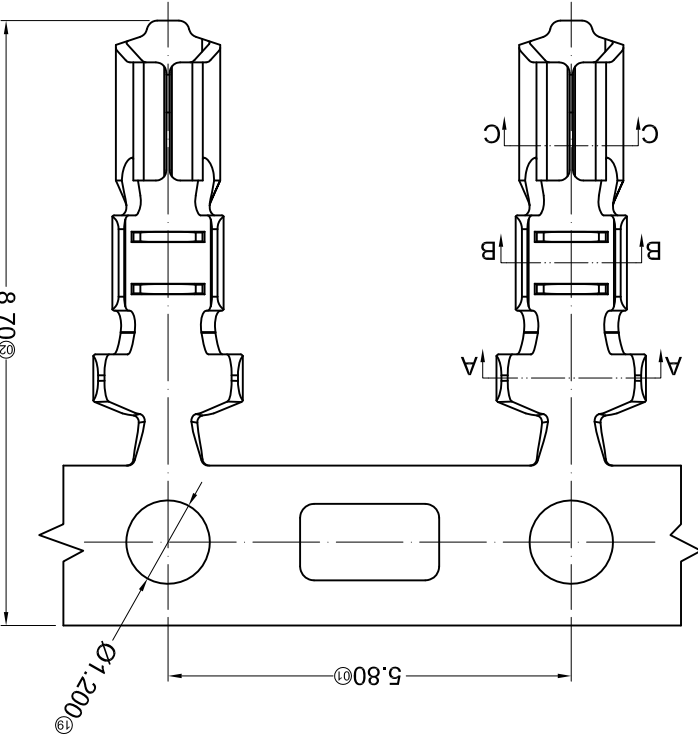
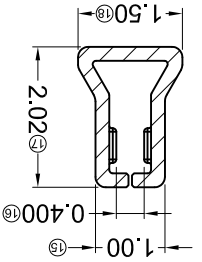
SECTION: A-A
SCALE: 1:1



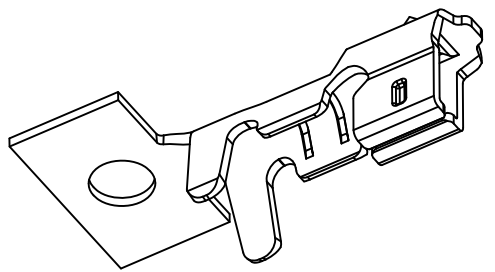
SECTION: B-B
SCALE: 1:1



SECTION: C-C
SCALE: 1:1



XPART NO	Material	Wire Range	Insulation O.D.	Finish	XPART NO
X2016T-PV01	Phosphor Bronze	AWG#24-30	1.50mm(Max)	Stamping Before plating:30u" MIN, Ni: 70u"Sn	X2016T-P-PSN
				Whole Gold: Gold Flash	X2016H
				Stamping Before plating:30u" MIN, Ni: 70u"Sn	
				Stamping Before plating:30u" MIN, Ni: 70u"Sn	



- Specifications :**
- Voltage rating: 100V AC / DC
 - Current rating: 2A AC / DC
 - Withstanding voltage: 800V AC/minute
 - Temperature range: -25°C~+85°C
 - Insulation resistance: ≥1000MΩ
 - Contact resistance: ≤10mΩ
 - After environmental testing: ≤20mΩ
- X2016 T X-P XXX X - X
 ① Series Number
 ② Category: T-terminal
 ③ Shape: Blank-ordinary
 ④ Material: P-Phosphor bronze
 ⑤ Plating style: V01-Gold Flash ; SN-Bright tin plating
 ⑥ Plating method: Blank-stamping before plating
 B-Plating before stamping
 ⑦ Mold No./Mark/Special No.

For and on behalf of
KXB INDUSTRIAL PRECISION CO., LIMITED
 香港星坤工業精密有限公司

Authorized Signatures

MARK	DESCRIPTION	DATE	REVISED	APPROVED	UNSPECIFIED TOLERANCES
△ X					L > 63 ± 0.5
△ X					16 < L ≤ 63 ± 0.4
△ X					4 < L ≤ 16 ± 0.3
△ X					L ≤ 4 ± 0.2
					ANGULAR ± 5°

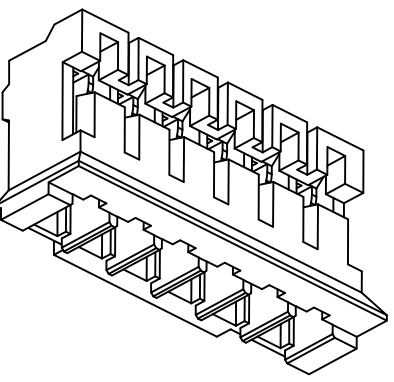
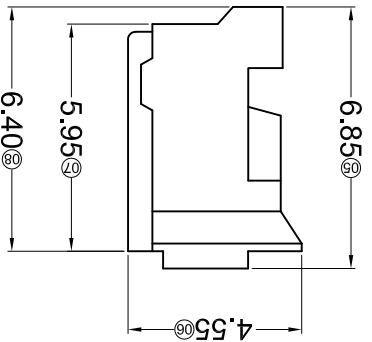
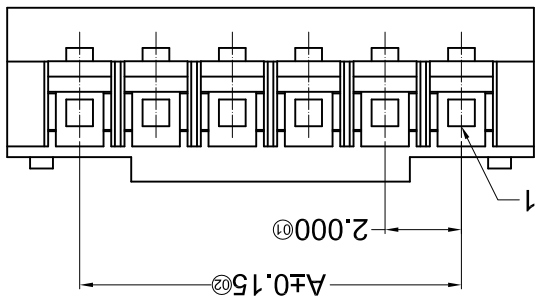
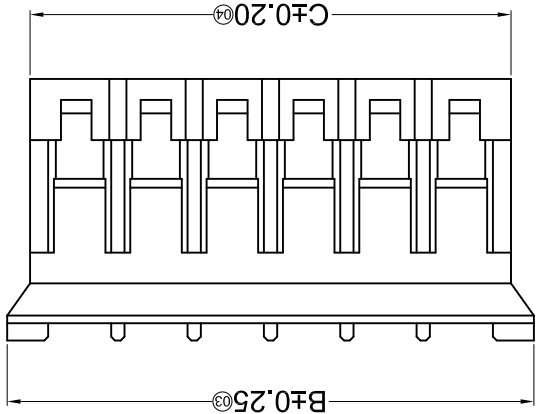
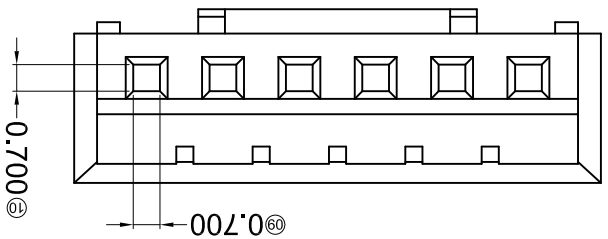
REVISION	SHEET	WEIGHT	1/1	1.0g	8
AO					

DATE	SCALE: N/A	MODEL TYPE: X2016H-XX-N0XX	VIEW:	DATE	DATE	DATE	DATE	DATE	DATE

DATE	DATE	DATE	DATE	DATE	DATE	DATE	DATE	DATE	DATE

DATE	DATE	DATE	DATE	DATE	DATE	DATE	DATE	DATE	DATE

DATE	DATE	DATE	DATE	DATE	DATE	DATE	DATE	DATE	DATE

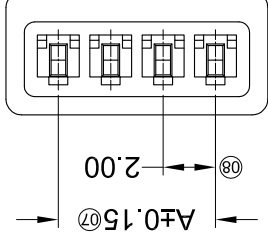
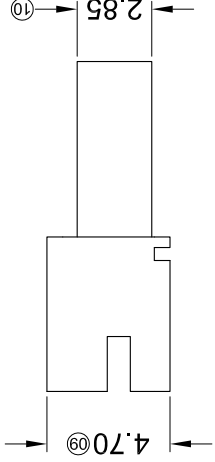
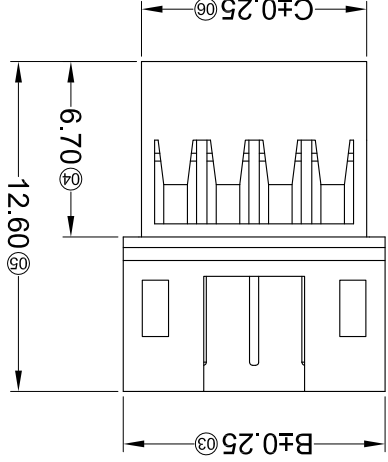
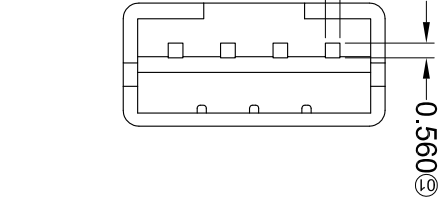


PART NO	Material	Suitable XKB Terminal	Suitable XKB Terminal
X2016H-XX-N0	Nylon 66 UL 94V-0		Suitable XKB Terminal
X2016H-XX-N0HF	PA66 UL 94V-0 Halogen Free	X2016T	
X2016H-XX-N0C	Nylon 66 UL 94V-0		X2016W

Poles	Dimensions (mm)		
	A	B	C
02	2.00	5.80	4.60
03	4.00	7.80	6.60
04	6.00	9.80	8.60
05	8.00	11.80	10.60
06	10.00	13.80	12.60
07	12.00	15.80	14.60
08	14.00	17.80	16.60
09	16.00	19.80	18.60
10	18.00	21.80	20.60
11	20.00	23.80	22.60

- ① Series No.
 - ② Category: H-HSG
 - ③ Appearance type: Blank-Ordinary
 - ④ Row No.-Pin No.: XX-02P~20P
 - ⑤ Plug the Pin & special No.: Blank-Ordinary
 - ⑥ Material: N0-PA66 94V-0
 - ⑦ HF-Halogen Free
 - ⑧ C-Glowing Filament ;
- X2016 H X-XX X-N0 HF-C

- Specifications :
- Voltage rating: 100V AC / DC
 - Current rating: 2A AC / DC
 - Withstanding voltage: 800V AC/minute
 - Temperature range: -25°C~+85°C
 - Insulation resistance: ≥1000MΩ
 - Contact resistance: ≤10mΩ
 - After environmental testing: ≤20mΩ



For and on behalf of
XKB INDUSTRIAL PRECISION CO., LIMITED
 香港星坤工業精密有限公司

MARK	DESCRIPTION	DATE	REVISD	APPROVED	UNSPECIFIED TOLERANCES
△ X					L > 63
△ X					16 < L ≤ 63
△ X					4 < L ≤ 16
					L ≤ 4
					ANGULAR
					± 5°

REVISION	SHEET	WEIGHT	SIZE: A4	DATE	DATE	DATE	DATE
AO	1/1	1.0g					

XKB INDUSTRIAL PRECISION CO., LIMITED

DNSD	SCALE: N/A	DATE	DATE
DWN	VIEW:	DATE	DATE
CHKD	UNIT: mm	DATE	DATE
APPD	SIZE: A4	DATE	DATE

MODEL TYPE: X2016HF-XX-N0XX
 PART NO.:
 2.00mm Crimp Style Connectors
 DWG NO.:

PART NO	Material	Suitable XKB Terminal	Suitable XKB Terminal
X2016HF-XX-N0BK Nylon 66 UL 94V-0 Black		X2016TM	
X2016HF-XX-N0 Nylon 66 UL 94V-0			Suitable XKB Terminal

Poles	Dimensions (mm)		
	A	B	C
02	2.00	6.00	4.60
03	4.00	8.00	6.60
04	6.00	10.00	8.60
05	8.00	12.00	10.60
06	10.00	14.00	12.60
07	12.00	16.00	14.60
08	14.00	18.00	16.60
09	16.00	20.00	18.60
10	18.00	22.00	20.60
11	20.00	24.00	22.60

Poles	Dimensions (mm)		
	A	B	C
02	22.00	26.00	24.60
03	24.00	28.00	26.60
04	26.00	30.00	28.60
05	28.00	32.00	30.60
06	30.00	34.00	32.60
07	32.00	36.00	34.60
08	34.00	38.00	36.60
09	36.00	40.00	38.60
10	38.00	42.00	40.60
11	40.00	44.00	42.60

- ① Series No.
- ② Category: H-HSG
- ③ Welding Board Angle: F-Female HSG
- ④ Row No.-Pin No.: XX-02P~20P
- ⑤ Plug the Pin & special No.:
- ⑥ Material: N0-PA66 94V-0;
- ⑦ Color: Blank-natural color; BK-Black

X2016 H F-XX X-N0 XX

- Voltage rating: 125V AC / DC
- Current rating: 1A AC / DC
- Withstanding voltage: 250V AC/minute
- Temperature range: -25°C~+85°C
- Insulation resistance: ≥100MΩ
- Contact resistance: ≤20mΩ
- After environmental testing: ≤40mΩ

■ Specifications :

X-ON Electronics

Largest Supplier of Electrical and Electronic Components

Click to view similar products for [Headers & Wire Housings](#) category:

Click to view products by [XKB](#) manufacturer:

Other Similar products are found below :

[95000-104TRLF](#) [10135584-644402LF](#) [DF62W-EP2022PCA](#) [95000-106TRLF](#) [DF62W-2022SCA](#) [DF62W-EP2022PC](#) [2203348](#) [DF62W-2022SC](#) [1084018](#) [1029039](#) [1084017](#) [802-10-012-10-002000](#) [1112640](#) [1112639](#) [891-007-9SS-BST1T](#) [000-34000](#) [0008550134](#) [0009482033](#) [0009507031](#) [57102-F02-18ULF](#) [57102-S06-03LF](#) [57202-S52-04LF](#) [PCN6-15S-2.5E](#) [0039019024](#) [58102-G61-06LF](#) [582553-1](#) [0009485154](#) [0009508121](#) [0022285053](#) [0050291907](#) [018731A](#) [LY20-4P-DT1-P1E-BR](#) [02.125.8002.8](#) [60101931](#) [60598-1 \(Cut Strip\)](#) [M1625-3R/100](#) [61062-3](#) [61082-181009](#) [CSU011177004](#) [636-1427](#) [638009-1](#) [641938-9](#) [641991-4](#) [644168-1](#) [644827-2](#) [647662-1](#) [65039-019ELF](#) [65692-001LF](#) [65781-018](#) [65781-047](#)