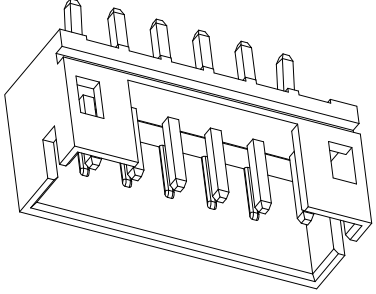
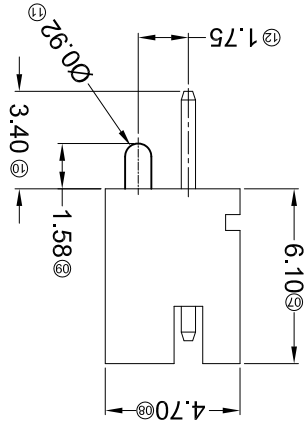
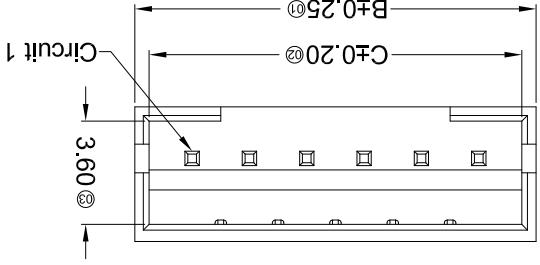
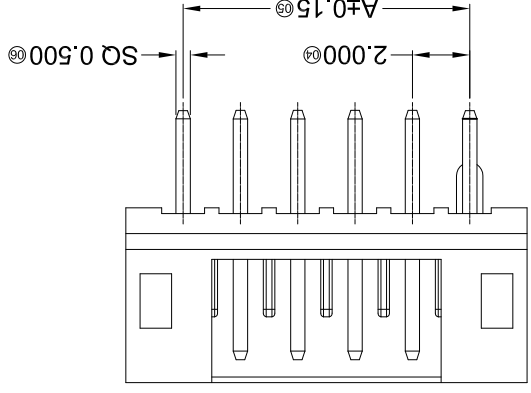
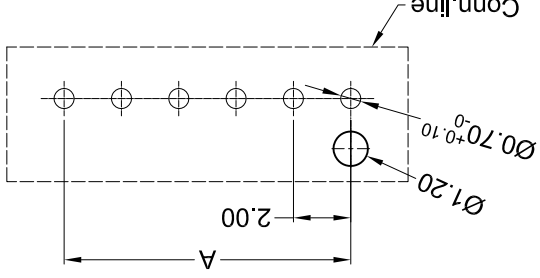


For and on behalf of
XKB INDUSTRIAL PRECISION CO., LIMITED
 香港星坤工業精密有限公司

MARK	DESCRIPTION	REVISIONS			UNSPECIFIED TOLERANCES		
		DATE	REVISED	APPROVED	DATE	APPROVED	UNSPECIFIED TOLERANCES
△X						L > 63	±0.5
△X						16 > L ≤ 63	±0.4
△X						4 < L ≤ 16	±0.3
						L ≤ 4	±0.2
						ANGULAR	±5°

REVISION		WEIGHT		SHEET		REVISION	
A0		1.0g		1/1		A0	
DMSD	DATE	SCALE: N/A	MODEL TYPE: X2016WV-XXS-LPSN	DWN	DATE	VIEW:	PART NO.:
CHKD	DATE	UNIT: mm	DWG NO.:	APPD	DATE	SIZE: A4	2.00 mm Crimp Style Connectors

Recommended P.C.B Layout
 General Tolerance ±0.05



PART NO	Material	Material(Pin)	Finish(Pin)	Suitable XKB Terminal
X2016WV-XXS-LPSN	LCP UL 94V-0	Brass	Tin-Plated	X2016H

Poles	Dimensions (mm)			Poles	Dimensions (mm)		
	A	B	C		A	B	C
02	2.00	6.00	5.00	09	16.00	20.00	19.00
03	4.00	8.00	7.00	10	18.00	22.00	21.00
04	6.00	10.00	9.00	11	20.00	24.00	23.00
05	8.00	12.00	11.00	12	22.00	26.00	25.00
06	10.00	14.00	13.00	13	24.00	28.00	27.00
07	12.00	16.00	15.00	14	26.00	30.00	29.00
08	14.00	18.00	17.00	15	28.00	32.00	31.00

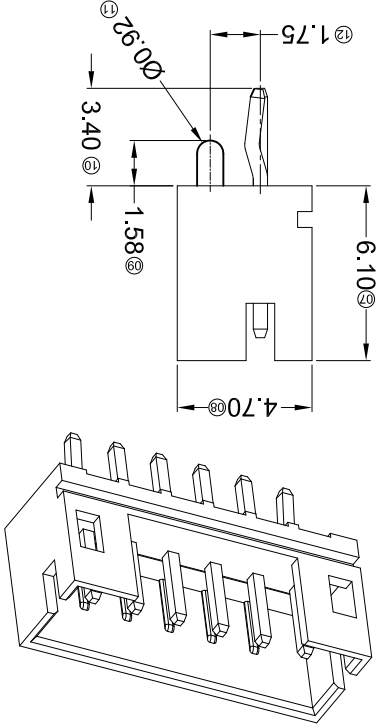
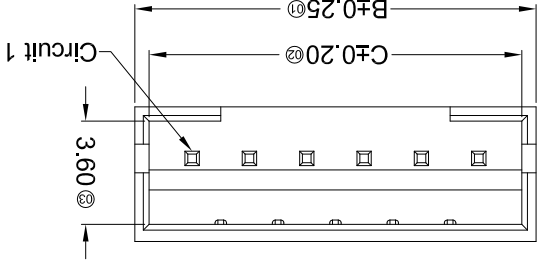
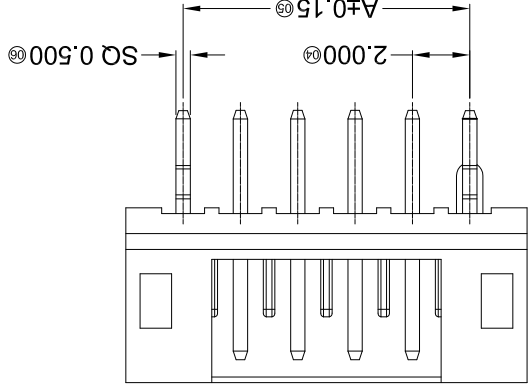
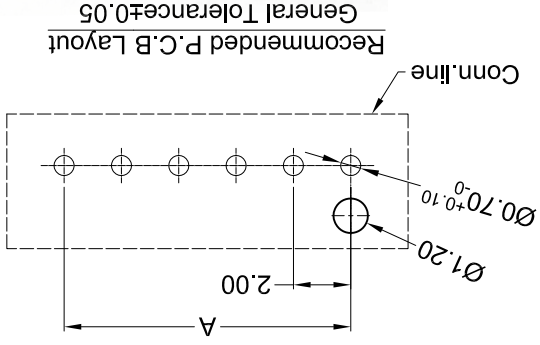
- Series No.**
 X2016 W V X-XX S-LP SN XX
- ① Series No.
 - ② Category: W-WAFER
 - ③ Welding Board Angle: V-Straight 180°
 - ④ Welding Way: Blank-DIP
 - ⑤ Row No.-Pin No.: XX-02P~20P
 - ⑥ Plug the Pin & Special No.: Blank-Without Kink,S-With Post;
 - ⑦ Material: LP-LCP 94V-0;
 - ⑧ Plating Category: SN-Bright Tin Plating
 - ⑨ Color: Blank-Natural Color;

- Specifications:**
- Voltage rating: 100V AC / DC
 - Current rating: 2A AC / DC
 - Withstanding voltage: 800V AC/minute
 - Temperature range: -25°C~+85°C
 - Insulation resistance: ≥1000MΩ
 - Contact resistance: ≤10mΩ
 - After environmental testing: ≤20mΩ

For and on behalf of
XKB INDUSTRIAL PRECISION CO., LIMITED
 香港星坤工業精密有限公司

MARK	DESCRIPTION	DATE	REVISED	APPROVED	UNSPECIFIED TOLERANCES
△ X					L > 63
△ X					16 > L ≤ 63
△ X					4 < L ≤ 16
					L ≤ 4
					ANGULAR
					± 5°

REVISIONS	UNSPECIFIED TOLERANCES	
REVISED	APPROVED	DATE
SHEET	DATE	DATE
1/1	DATE	DATE
WEIGHT	DATE	DATE
1.0g	DATE	DATE
REVISION	DATE	DATE
A0	DATE	DATE



PART NO	Material	Material(Pin)	Finish(Pin)	Suitable XKB Terminal
X2016WV-XXKS-4TSN	LCP UL 94V-0	Brass	Tin-Plated	X2016H

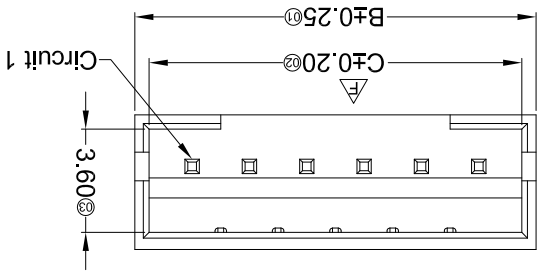
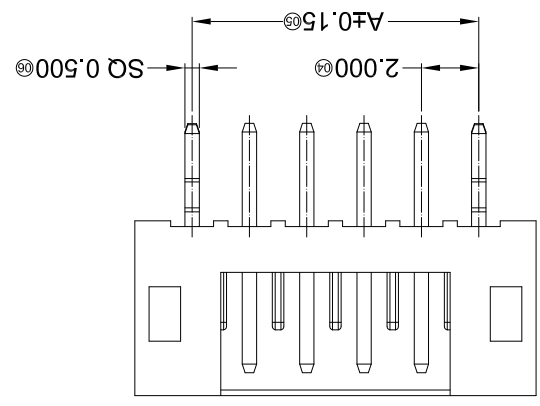
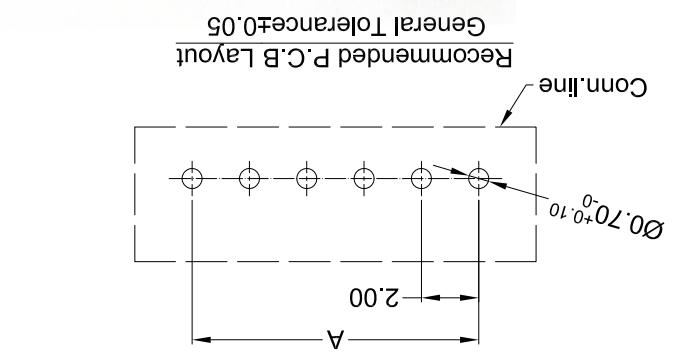
Poles	Dimensions (mm)			Poles	Dimensions (mm)		
	A	B	C		A	B	C
02	2.00	6.00	5.00	09	16.00	20.00	19.00
03	4.00	8.00	7.00	10	18.00	22.00	21.00
04	6.00	10.00	9.00	11	20.00	24.00	23.00
05	8.00	12.00	11.00	12	22.00	26.00	25.00
06	10.00	14.00	13.00	13	24.00	28.00	27.00
07	12.00	16.00	15.00	14	26.00	30.00	29.00
08	14.00	18.00	17.00	15	28.00	32.00	31.00

- ① Series No. X2016 W V X-XX KS-4T SN XX
- ② Category: W-WAFER
- ③ Welding Board Angle: V-Straight 180°
- ④ Welding Way: Blank-DIP
- ⑤ Row No.-Pin No.: XX-02P~20P
- ⑥ Plug the Pin & Special No.: K-With kink,S-With Post;
- ⑦ Material: 4T-PA4T 94V-0;
- ⑧ Plating Category: SN-Bright Tin Plating
- ⑨ Color: Blank-Natural Color;

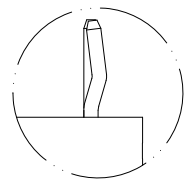
- Specifications :
- Voltage rating: 100V AC / DC
 - Current rating: 2A AC / DC
 - Withstanding voltage: 800V AC/minute
 - Temperature range: -25°C~+85°C
 - Insulation resistance: ≥1000MΩ
 - Contact resistance: ≤10mΩ
 - After environmental testing: ≤20mΩ

For and on behalf of
XKB INDUSTRIAL PRECISION CO., LIMITED
 香港星坤工業精密有限公司

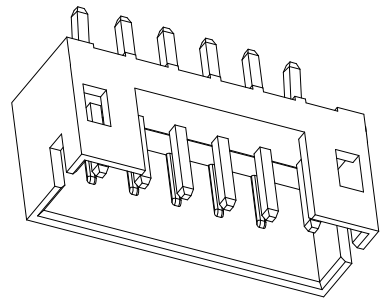
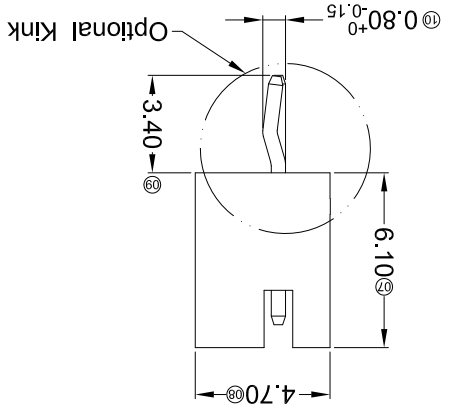
MARK	DESCRIPTION	DATE	REVISED	APPROVED	UNSPECIFIED TOLERANCES
△ X					L > 63
△ X					16 > L ≤ 63
△ X					4 < L ≤ 16
△ X					L ≤ 4
					ANGULAR
					± 5°



Reverse Kink(K1)



Kink(K)



PART NO	Material	Material(Pin)	Finish(Pin)	Suitable XKB Terminal
X2016WV-XXKX-46SNV	Nylon 46 UL 94V-0 Gray	Brass	Tin-Plated	X2016H
X2016WV-XXKX-NOV01	Nylon 66 UL 94V-0		Gold-Flash	
X2016WV-XXKX-N0SN			Tin-Plated	

Poles	Dimensions (mm)			Poles	Dimensions (mm)		
	A	B	C		A	B	C
02	2.00	6.00	4.80	09	16.00	20.00	18.80
03	4.00	8.00	6.80	10	18.00	22.00	20.80
04	6.00	12.00	8.80	11	22.00	24.00	22.80
05	8.00	16.00	10.80	12	26.00	26.80	24.80
06	10.00	20.00	12.80	13	28.00	28.00	26.80
07	12.00	26.00	14.80	14	30.00	30.00	28.80
08	14.00	32.00	16.80	15	32.00	32.00	30.80

- ① Series No. X2016 W V X-XX KX -N0 SN XX
- ② Category: W-WAFER
- ③ Welding Board Angle: V-Straight 180°
- ④ Welding Way: Blank-DIP
- ⑤ Row No.-Pin No.: XX-02P~20P
- ⑥ Plug the Pin & Special No.: K-Kink ; K1-Reverse Kink ;
- ⑦ Material: 46 -PA46 94V-0 ; N0-PA66 94V-0
- ⑧ Plating Category: SN-Bright Tin Plating ; V01-Gold Flash
- ⑨ Color : Blank-Natural Color ; GY-Gray

- Specifications :
- Voltage rating: 100V AC / DC
 - Current rating: 2A AC / DC
 - Withstanding voltage: 800V AC/minute
 - Temperature range: -25°C~+85°C
 - Insulation resistance: ≥1000MΩ
 - Contact resistance: ≤10mΩ
 - After environmental testing: ≤20mΩ

DATE	SCALE: N/A	MODEL TYPE: X2016WV-XXKX-XXXXX
DNSD	DATE	
DWN	DATE	
CHKD	DATE	
APPD	DATE	
	SIZE: A4	
	UNIT: mm	
	VIEW:	
	PART NO.:	
	DWG NO.:	
	WEIGHT	1.0g
	SHEET	1/1
	REVISION	A0

XKB INDUSTRIAL PRECISION CO., LIMITED

REVISIONS
 Authorized Signature(s)

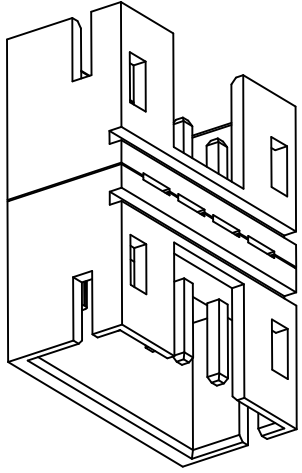
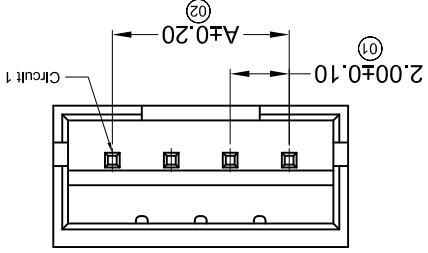
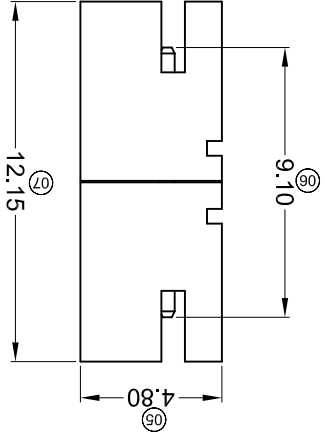
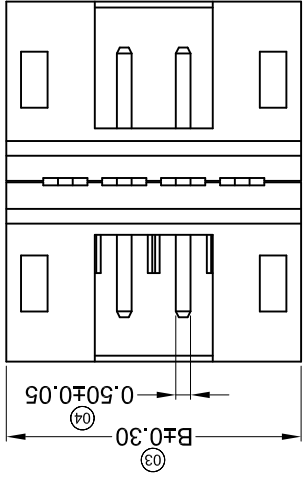
For and on behalf of
XKB INDUSTRIAL PRECISION CO., LIMITED
 香港星坤工業精密有限公司

MARK	DESCRIPTION	REVISIONS			UNSPECIFIED TOLERANCES	
		DATE	REVISED	APPROVED	L > 63	± 0.5
△ X					16 < L ≤ 63	± 0.4
△ X					4 < L ≤ 16	± 0.3
△ X					L ≤ 4	± 0.2
					ANGULAR	± 5°

REVISION		WEIGHT	XKB INDUSTRIAL PRECISION CO., LIMITED	
NO.	DESCRIPTION	1.0g	SIZE: A4	DATE
A0		1/1		

DNSD	DATE	SCALE: N/A	MODEL TYPE: 2016WV-XXH2-N0SN
DWN	DATE	VIEW:	PART NO.:
CHKD	DATE	UNIT: mm	DWG NO.:
APPD	DATE	SIZE: A4	2.00 mm Crimp Style Connector

PART NO	Material	Material(Pin)	Finish(Pin)	Suitable XKB Terminal	Q'ty/Bag
X2016WV-XXH2-N0SN	Nylon 66 UL 94V-0	Brass	Tin-Plated	X2016H	1,000Pcs

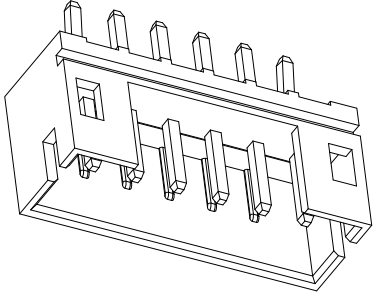
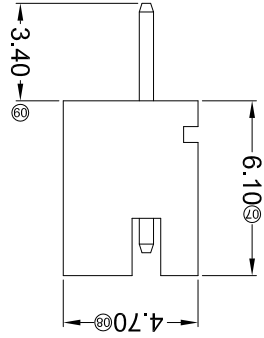
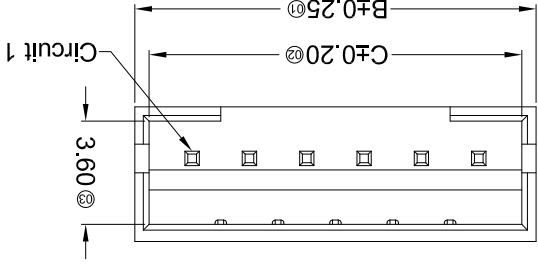
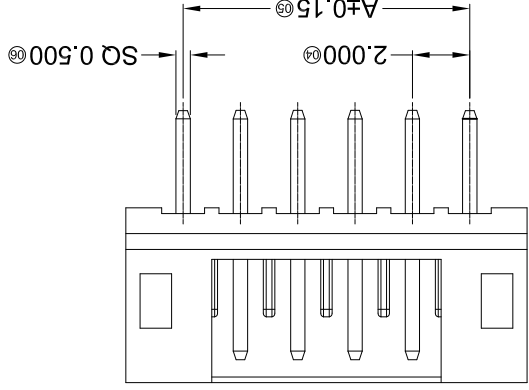
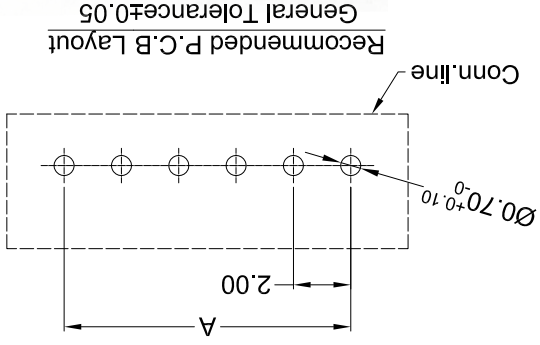


① Series No.	② Category: W-WAFER	③ Welding Board Angle: V-180°; R-90°	④ Welding Way: Blank-DIP; S-SMT	⑤ Row No.-Pin No.: XX-Single Row; 2*XX-Double Row	⑥ Plug the Pin & Special No.: H2-Double sided insert	⑦ Material: N0-PA66 94V-0; 6T-PA6T 94V-0; 46-PA46	⑧ Plating Category: G**-Gold Plated Contact	V**- All Gold-Plated	01-Gold Flash 02-2u" 03-3u"	05-5u" 10-10u" 15-15u"	SN-Bright Tin Plating (70-120u")	SN1-Bright Tin Plating (120u" Min).	0-No Plating Material	SW- Fog Tin Plating	HS-Hight temperature Tin	⑨ Color: Blank-Natural Color	
02	2.00	6.00	03	4.00	8.00	02	2.00	6.00	03	4.00	8.00	02	2.00	6.00	03	4.00	8.00
03	4.00	8.00	04	6.00	10.00	04	6.00	10.00	04	6.00	10.00	04	6.00	10.00	04	6.00	10.00
04	6.00	10.00	05	8.00	12.00	05	8.00	12.00	05	8.00	12.00	05	8.00	12.00	05	8.00	12.00
05	8.00	12.00	06	10.00	14.00	06	10.00	14.00	06	10.00	14.00	06	10.00	14.00	06	10.00	14.00
06	10.00	14.00	07	12.00	16.00	07	12.00	16.00	07	12.00	16.00	07	12.00	16.00	07	12.00	16.00
07	12.00	16.00	08	14.00	18.00	08	14.00	18.00	08	14.00	18.00	08	14.00	18.00	08	14.00	18.00
08	14.00	18.00	09	16.00	20.00	09	16.00	20.00	09	16.00	20.00	09	16.00	20.00	09	16.00	20.00
09	16.00	20.00	10	18.00	22.00	10	18.00	22.00	10	18.00	22.00	10	18.00	22.00	10	18.00	22.00
10	18.00	22.00	11	20.00	24.00	11	20.00	24.00	11	20.00	24.00	11	20.00	24.00	11	20.00	24.00
11	20.00	24.00	12	22.00	26.00	12	22.00	26.00	12	22.00	26.00	12	22.00	26.00	12	22.00	26.00
12	22.00	26.00	13	24.00	28.00	13	24.00	28.00	13	24.00	28.00	13	24.00	28.00	13	24.00	28.00
13	24.00	28.00	14	26.00	30.00	14	26.00	30.00	14	26.00	30.00	14	26.00	30.00	14	26.00	30.00
14	26.00	30.00	15	28.00	32.00	15	28.00	32.00	15	28.00	32.00	15	28.00	32.00	15	28.00	32.00
15	28.00	32.00	16	30.00	34.00	16	30.00	34.00	16	30.00	34.00	16	30.00	34.00	16	30.00	34.00
16	30.00	34.00	17	32.00	36.00	17	32.00	36.00	17	32.00	36.00	17	32.00	36.00	17	32.00	36.00
17	32.00	36.00	18	34.00	38.00	18	34.00	38.00	18	34.00	38.00	18	34.00	38.00	18	34.00	38.00
18	34.00	38.00	19	36.00	40.00	19	36.00	40.00	19	36.00	40.00	19	36.00	40.00	19	36.00	40.00
19	36.00	40.00	20	38.00	42.00	20	38.00	42.00	20	38.00	42.00	20	38.00	42.00	20	38.00	42.00
20	38.00	42.00															

- Specifications:**
- Voltage rating: 100V AC / DC
 - Current rating: 2A AC / DC
 - Withstanding voltage: 800V AC/minute
 - Temperature range: -25°C~+85°C
 - Insulation resistance: ≥1000MΩ
 - Contact resistance: ≤10mΩ
 - After environmental testing: ≤20mΩ

For and on behalf of
KXB INDUSTRIAL PRECISION CO., LIMITED
 香港星坤工業精密有限公司

MARK	DESCRIPTION	DATE	REVISED	APPROVED	UNSPECIFIED TOLERANCES
△ X					L > 63
△ X					16 > L ≤ 63
△ X					4 < L ≤ 16
					L ≤ 4
					ANGULAR
					± 5°



PART NO	Material	Material(Pin)	Finish(Pin)	Suitable XKB Terminal
X2016WV-XX-6TSN	Nylon 6T UL94V-0	Brass	Tin-Plated	X2016H
X2016WV-XX-46SN	Nylon 46 UL 94V-0	Brass	Tin-Plated	X2016H
X2016WV-XX-N0SN	Nylon 66 UL 94V-0			

Poles	Dimensions (mm)			Poles	Dimensions (mm)		
	A	B	C		A	B	C
02	2.00	6.00	5.00	09	16.00	20.00	19.00
03	4.00	8.00	7.00	10	18.00	22.00	21.00
04	6.00	10.00	9.00	11	20.00	24.00	23.00
05	8.00	12.00	11.00	12	22.00	26.00	25.00
06	10.00	14.00	13.00	13	24.00	28.00	27.00
07	12.00	16.00	15.00	14	26.00	30.00	29.00
08	14.00	18.00	17.00	15	28.00	32.00	31.00

- ① Series No. X2016 W V X-XX XX -N0 SN XX
 ② Category: W-WAFER
 ③ Welding Board Angle: V-Straight 180°
 ④ Welding Way: Blank-DIP
 ⑤ Row No.-Pin No.: XX-02P~20P
 ⑥ Plug the Pin & Special No.: Blank-Without Kink
 ⑦ Material: 46 -PA46 94V-0 ; N0-PA66 94V-0 ;
 ⑧ Color : Blank-Natural Color ; GY-Gray
 ⑨ Plating Category: SN-Bright Tin Plating

- Specifications :
- Voltage rating: 100V AC / DC
 - Current rating: 2A AC / DC
 - Withstanding voltage: 800V AC/minute
 - Temperature range: -25°C~+85°C
 - Insulation resistance: ≥1000MΩ
 - Contact resistance: ≤10mΩ
 - After environmental testing: ≤20mΩ

DATE	SCALE: N/A	MODEL TYPE: X2016WV-XX-XSSN
DNSD	DATE	SCALE: N/A
DWN	DATE	VIEW:
CHKD	DATE	UNIT: mm
APPD	DATE	SIZE: A4

REVISION	SHEET	WEIGHT
A0	1/1	1.0g

DATE	SCALE: N/A	MODEL TYPE: X2016WV-XX-XSSN
DNSD	DATE	SCALE: N/A
DWN	DATE	VIEW:
CHKD	DATE	UNIT: mm
APPD	DATE	SIZE: A4

REVISION	SHEET	WEIGHT
A0	1/1	1.0g

- ① Series No. X2016 W V X-XX XX -N0 SN XX
 ② Category: W-WAFER
 ③ Welding Board Angle: V-Straight 180°
 ④ Welding Way: Blank-DIP
 ⑤ Row No.-Pin No.: XX-02P~20P
 ⑥ Plug the Pin & Special No.: Blank-Without Kink
 ⑦ Material: 46 -PA46 94V-0 ; N0-PA66 94V-0 ;
 ⑧ Color : Blank-Natural Color ; GY-Gray
 ⑨ Plating Category: SN-Bright Tin Plating

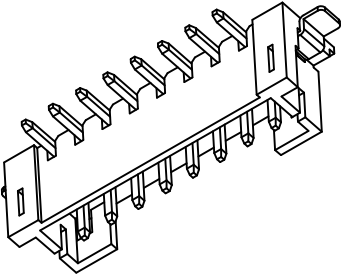
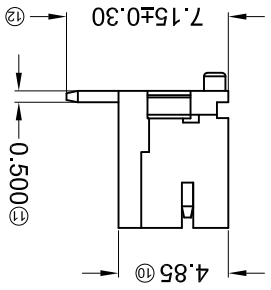
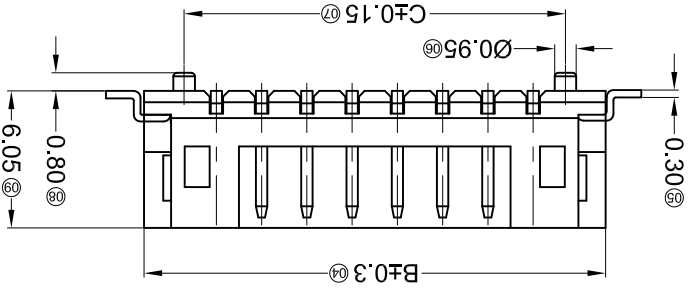
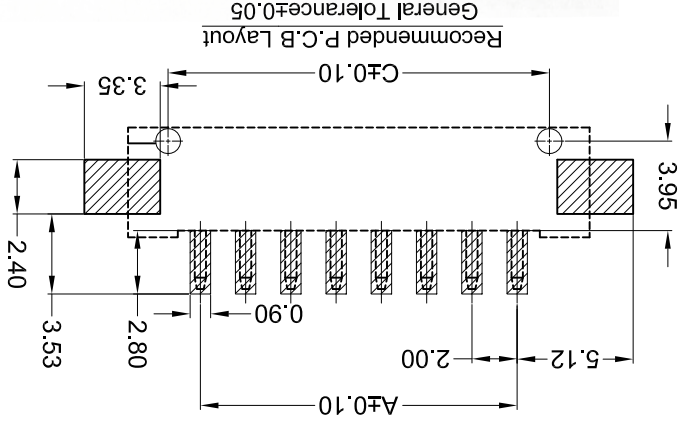
- Specifications :
- Voltage rating: 100V AC / DC
 - Current rating: 2A AC / DC
 - Withstanding voltage: 800V AC/minute
 - Temperature range: -25°C~+85°C
 - Insulation resistance: ≥1000MΩ
 - Contact resistance: ≤10mΩ
 - After environmental testing: ≤20mΩ

For and on behalf of
XKB INDUSTRIAL PRECISION CO., LIMITED
 香港星坤工業精密有限公司

MARK	DESCRIPTION	REVISIONS			UNSPECIFIED TOLERANCES		
		DATE	REVISED	APPROVED	L > 63	± 0.5	
△ X						16 < L ≤ 63	± 0.4
△ X						4 < L ≤ 16	± 0.3
△ X						L ≤ 4	± 0.2
						ANGULAR	± 5°

DSND	DATE	SCALE: N/A	MODEL TYPE: X2016WVS-XXS-46SN
DWN	DATE <td>VIEW: </td> <td>PART NO.:</td>	VIEW:	PART NO.:
CHKD	DATE <td>UNIT: mm</td> <td>DWG NO.:</td>	UNIT: mm	DWG NO.:
APPD	DATE <td>SIZE: A4</td> <td></td>	SIZE: A4	

WEIGHT	SHEET	REVISION
1.0g	1/1	A0



Poles	Dimensions (mm)			Poles	Dimensions (mm)		
	A	B	C		A	B	C
02	2.00	8.40	4.85	09	16.00	22.40	18.85
03	4.00	10.40	6.85	10	18.00	24.40	20.85
04	6.00	12.40	8.85	11	20.00	26.40	22.85
05	8.00	14.40	10.85	12	22.00	28.40	24.85
06	10.00	16.40	12.85	13	24.00	30.40	26.85
07	12.00	18.40	14.85	14	26.00	32.40	28.85
08	14.00	20.40	16.85	15	28.00	34.40	30.85

PART NO	Material	Material(Pin and Solder Tabs)	Thin-Plated	Suitable XKB Terminal
X2016WVS-XXS-46SN	PA46 UL 94V-0	Brass		X2016H

- X2016 W V S-XX S-46 SN XX
- ① Series No.
 - ② Category: W-WAFER
 - ③ Welding Board Angle: V-Straight 180°
 - ④ Welding Way: S-SMT
 - ⑤ Row No.-Pin No.: XX-02P~20P
 - ⑥ Plug the Pin & Special No.:
 - ⑦ S-With positioning column
 - ⑧ Material: 46-PA46 94V-0;
 - ⑨ Plating Category: SN-Bright Tin Plating
 - ⑩ Color: Blank-Natural Color

- Specifications:
- Voltage rating: 100V AC / DC
 - Current rating: 2A AC / DC
 - Withstanding voltage: 800V AC/minute
 - Temperature range: -25°C~+85°C
 - Insulation resistance: ≥1000MΩ
 - Contact resistance: ≤10mΩ
 - After environmental testing: ≤20mΩ

For and on behalf of
KXB INDUSTRIAL PRECISION CO., LIMITED
 香港星坤工業精密有限公司

MARK	DESCRIPTION	DATE	REVISD	APPROVED	UNSPECIFIED TOLERANCES
△ X					L > 63
△ X					16 > L ≤ 63
△ X					4 < L ≤ 16
△ X					L ≤ 4
					ANGULAR
					±5°

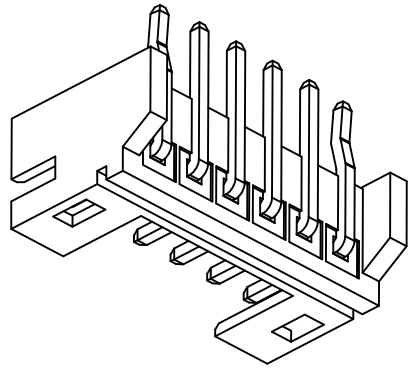
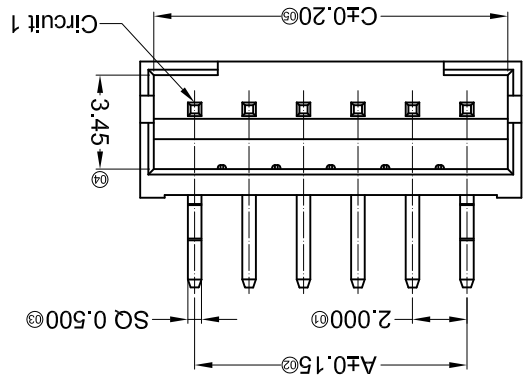
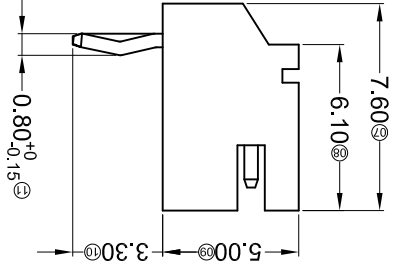
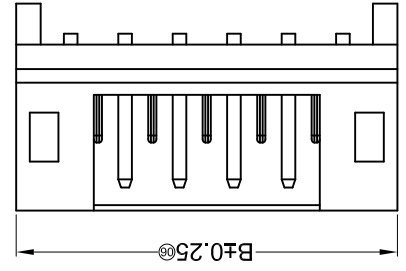
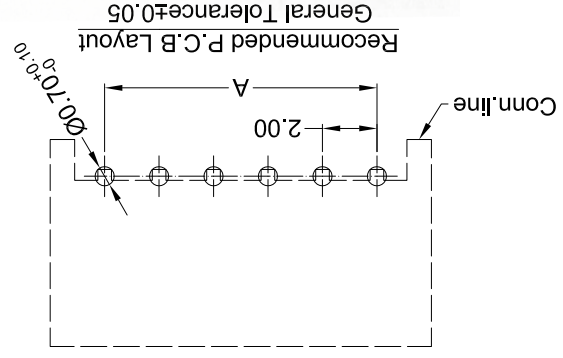
REVISIONS	DATE	REVISD	APPROVED	UNSPECIFIED TOLERANCES
				L > 63
				16 > L ≤ 63
				4 < L ≤ 16
				L ≤ 4
				ANGULAR
				±5°

DATE	SCALE: N/A	MODEL TYPE:	2016WR-XXK-N0SN

DATE	VIEW:	2.00mm Crimp Style Connectors

DATE	UNIT: mm	DWG NO.:

DATE	SIZE: A4	WEIGHT	REVISION
		1.0g	A0



X2016 W R X-XX K -N0 SN XX

- ① Series No.
- ② Category: W-WAFER
- ③ Welding Board Angle: R-Right Angle 90°
- ④ Welding Way: Blank-DIP
- ⑤ Row No.-Pin No.: XX-02P~20P
- ⑥ Plug the Pin & Special No.: K-kink, DIP=3.30mm
- ⑦ Material: N0-PA66 94V-0
- ⑧ Plating Category: SN-Right Tin Plating
- ⑨ Color: Blank-Natural Color;

- Specifications :
- Voltage rating: 100V AC / DC
 - Current rating: 2A AC / DC
 - Withstanding voltage: 800V AC/minute
 - Temperature range: -25°C~+85°C
 - Insulation resistance: ≥1000MΩ
 - Contact resistance: ≤10mΩ
 - After environmental testing: ≤20mΩ

Part No	Material	Material (Pn)	Finish (Pn)	Suitable XKB Terminal
X2016WR-XXK-N0SN	Nylon 66 UL 94V-0	Brass	Tin-Plated	X2016H

Poles	Dimensions (mm)		Poles	Dimensions (mm)	
	A	B		A	B
02	2.00	6.00	09	16.00	20.00
03	4.00	8.00	10	18.00	22.00
04	6.00	10.00	11	20.00	24.00
05	8.00	12.00	12	22.00	26.00
06	10.00	14.00	13	24.00	28.00
07	12.00	16.00	14	26.00	29.00
08	14.00	18.00	15	28.00	31.00

For and on behalf of
XKB INDUSTRIAL PRECISION CO., LIMITED
 香港星坤工業精密有限公司

MARK	DESCRIPTION	DATE	REVISED	APPROVED	UNSPECIFIED TOLERANCES
△ X					L > 63 ±0.5
△ X					16 < L ≤ 63 ±0.4
△ X					4 < L ≤ 16 ±0.3
△ X					L ≤ 4 ±0.2
					ANGULAR ±5°

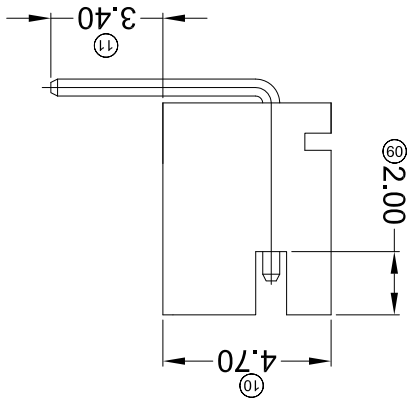
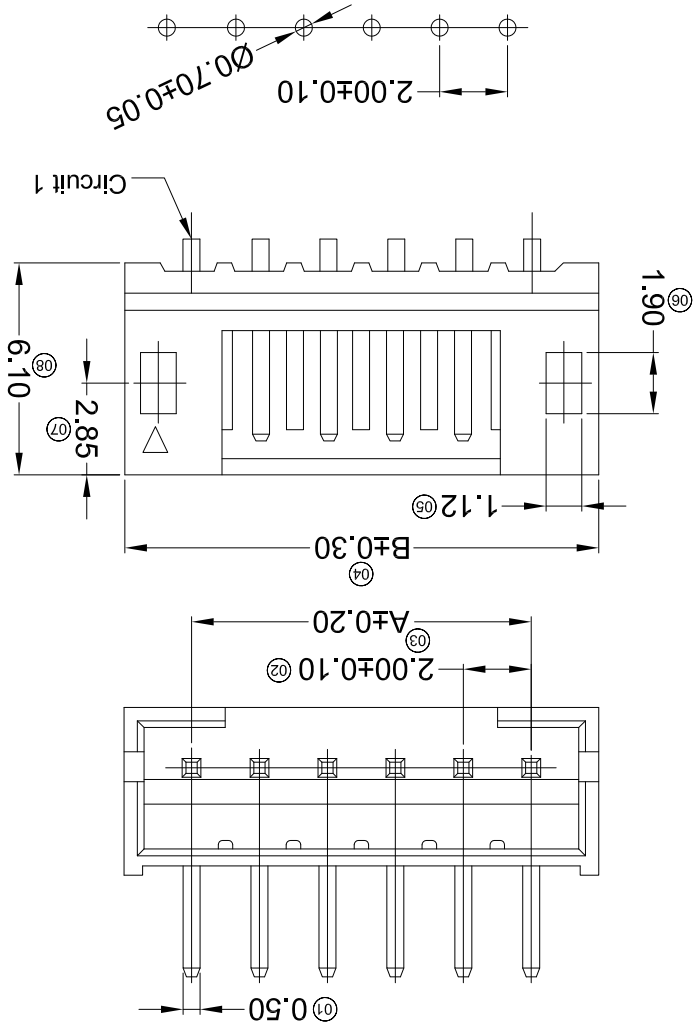
REVISIONS	XKB INDUSTRIAL PRECISION CO., LIMITED	
DATE	APPD	DATE
REVISED	CHKD	DATE
APPROVED	DWN	DATE
	DSND	DATE

WEIGHT	1.0g
SHEET	1/1
REVISION	A0

SIZE:	A4
UNIT:	mm
VIEW:	VIEW: ①
SCALE:	N/A

MODEL TYPE:	X2016WR-XXB-N0SN
PART NO.:	
DWG NO.:	2.00 mm Crimp Style Connector

Recommend PCB Layout



PART NO	Material	Material(Pin)	Finish(Pin)	Suitable XKB Terminal	Q'ty/Bag
X2016WR-XXB-N0SN	Nylon 66 UL 94V-0	Brass	Tin-Plated	XZ2016H	1,000Pcs

Poles	A	B
02	2.00	6.00
03	4.00	8.00
04	6.00	10.00
05	8.00	12.00
06	10.00	14.00
07	12.00	16.00
08	14.00	18.00
09	16.00	20.00
10	18.00	22.00
11	20.00	24.00
12	22.00	26.00
13	24.00	28.00
14	26.00	30.00
15	28.00	32.00
16	30.00	34.00
17	32.00	36.00
18	34.00	38.00
19	36.00	40.00
20	38.00	42.00

- ① Series No.
- ② Category: W-WAFER
- ③ Welding Board Angle: V-180°; R-90°
- ④ Welding Way: Blank-DIP; S-SMT
- ⑤ Row No.-Pin No.: XX-Single Row; 2*XX-Double Row
- ⑥ Plug the Pin & Special No.:
- ⑦ Material: NO -PA66 94V-0
- ⑧ Plating Category: G**-Gold Plated Contact
- V** - All Gold-Plated
- 01-Gold Flash 02-2u" 03-3u"
- 05-5u" 10-10u" 15-15u"
- SN-Bright Tin Plating (70-120u")
- SN1-Bright Tin Plating (120u" Min).
- 0-No Plating Material
- SW-Fog Tin Plating
- HS-Hight temperature Tin
- ⑨ Color: Blank-Natural Color

- Specifications:**
- Voltage rating: 100V AC / DC
 - Current rating: 2A AC / DC
 - Withstanding voltage: 800V AC/minute
 - Temperature range: -25°C~+85°C
 - Insulation resistance: ≥1000MΩ
 - Contact resistance: ≤10mΩ
 - After environmental testing: ≤20mΩ

For and on behalf of
XKB INDUSTRIAL PRECISION CO., LIMITED
 香港星坤工業精密有限公司
 Authorized Signatures

MARK	DESCRIPTION	DATE	REVISED	APPROVED	UNSPECIFIED TOLERANCES
△ X					L > 63
△ X					16 > L ≤ 63
△ X					4 < L ≤ 16
△ X					L ≤ 4
					ANGULAR ±5°

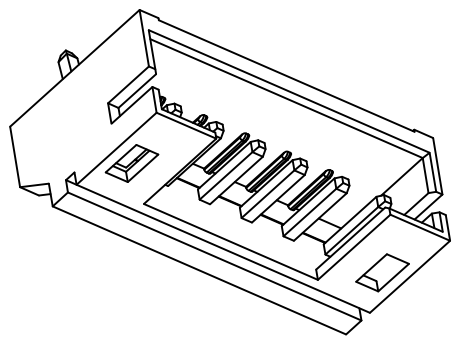
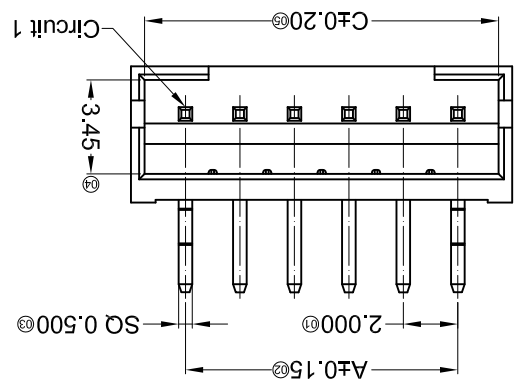
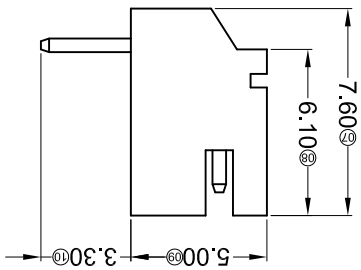
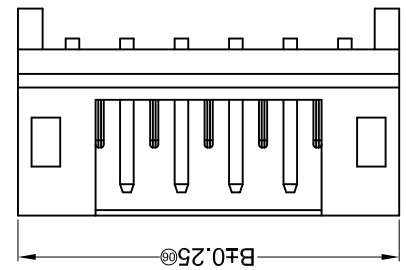
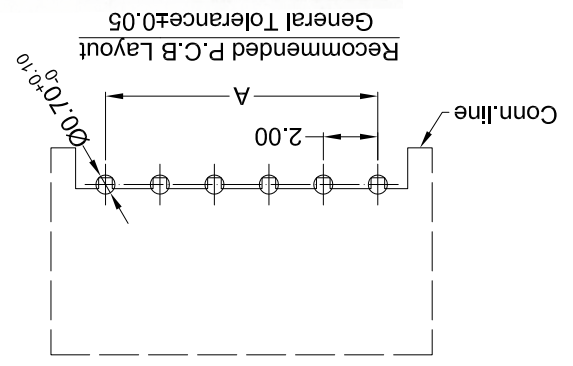
REVISIONS	WEIGHT	SHEET	REVISION
	1.0g	1/1	A0

DSND	DATE	SCALE: N/A	MODEL TYPE:
			2016WR-XX-NOSN

DWN	DATE	VIEW:	PART NO.:
		④	2016WR-XX-NOSN

CHKD	DATE	UNIT: mm	DWG NO.:
			2.00 mm Crimp Style Connectors

APPD	DATE	SIZE: A4



- ① Series No.
 ② Category: W-WAFER
 ③ Welding Board Angle: R-Right Angle 90°
 ④ Welding Way: Blank-DIP
 ⑤ Row No.-Pin No.: XX-02P~20P
 ⑥ Plug the Pin & Special No.: Blank-Without kink
 ⑦ Material: NO-PA66 94V-0
 ⑧ Plating Category: SN-Bright Tin Plating
 ⑨ Color: Blank-Natural Color;

- Specifications:
- Voltage rating: 100V AC / DC
 - Current rating: 2A AC / DC
 - Withstanding voltage: 800V AC/minute
 - Temperature range: -25°C~+85°C
 - Insulation resistance: ≥100MΩ
 - Contact resistance: ≤10mΩ
 - After environmental testing: ≤20mΩ

PART NO	Material	Material(Pin)	Finish(Pin)	Suitable XKB Terminal
X2016WR-XX-NOSN	Nylon 66 UL 94V-0	Brass	Tin-Plated	X2016H

Poles	Dimensions (mm)		
	A	B	C
02	2.00	6.00	5.00
03	4.00	8.00	7.00
04	6.00	10.00	9.00
05	8.00	12.00	11.00
06	10.00	14.00	13.00
07	12.00	16.00	15.00
08	14.00	18.00	17.00

Poles	Dimensions (mm)		
	A	B	C
02	30.00	34.00	33.00
03	36.00	36.00	35.00
04	38.00	38.00	37.00
05	40.00	40.00	39.00
06	42.00	42.00	41.00

For and on behalf of
XKB INDUSTRIAL PRECISION CO., LIMITED
 香港星坤工業精密有限公司

REVISIONS
 Authorized Signature(s)

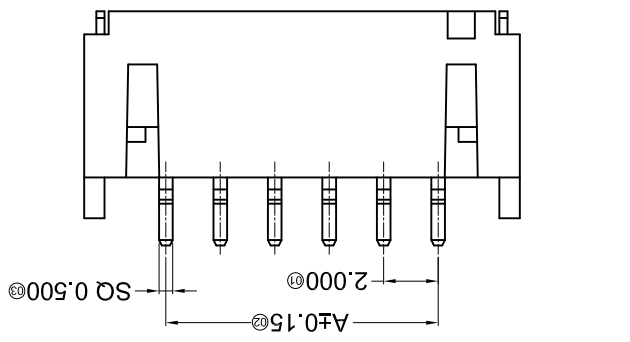
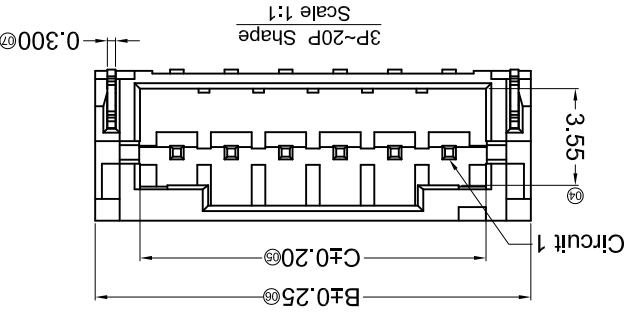
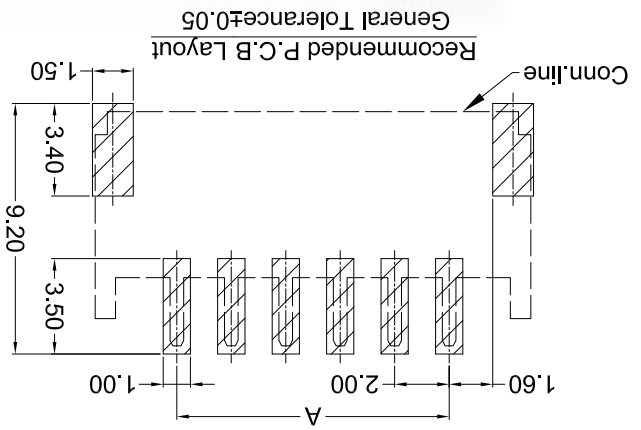
MARK	DESCRIPTION	DATE	REVISED	APPROVED	UNSPECIFIED TOLERANCES
△ X					L > 63
△ X					16 < L ≤ 63
△ X					4 < L ≤ 16
△ X					L ≤ 4
					ANGULAR
					± 5°

APPD	DATE	SIZE: A4	WEIGHT	SHEET	REVISION
			1.0g	1/1	A0

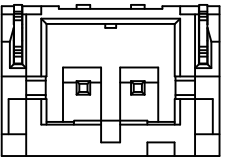
CHKD	DATE	UNIT: mm	DWG NO.:
			2.00mm Crimp Style Connectors

DWN	DATE	VIEW:	PART NO.:
		①	X2016WRS-XX-XXXXXX

DSND	DATE	SCALE: N/A	MODEL TYPE:
			X2016WRS-XX-XXXXXX



2P Shape
 Scale 1:1

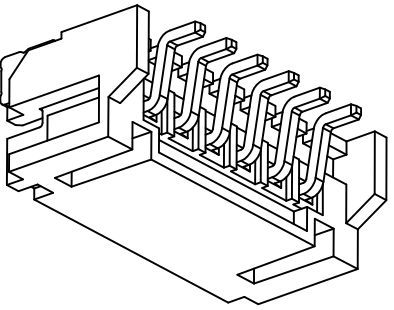


PART NO	Material	Material (P/n)	Finish (P/n)	Material (Solder Tabs)	Suitable XKB Terminal
X2016WRS-XX-9TSM	PA9T UL 94V-0	Tin-Plated	Tin-Plated	Brass	Male Tin-Plated
X2016WRS-XX-LP5WHF	LCP UL 94V-0	Halogen Free	Halogen Free	Brass	Male Tin-Plated
X2016WRS-XX-LP5SW	LCP UL 94V-0	Halogen Free	Halogen Free	Brass	Male Tin-Plated
X2016WRS-XX-9T15BK	PA9T UL 94V-0	Black	Black	Brass	Male Gold-Flash Tin-Plated
X2016WRS-XX-9T15SW	PA9T UL 94V-0	Black	Black	Brass	Male Tin-Plated

Poles	Dimensions (mm)		Poles		Dimensions (mm)	
	A	B	A	B	A	B
02	2.00	8.00	16.00	22.00	18.70	16
03	4.00	10.00	18.00	24.00	20.70	17
04	6.00	12.00	20.00	26.00	22.70	18
05	8.00	14.00	22.00	28.00	24.70	19
06	10.00	16.00	24.00	30.00	26.70	20
07	12.00	18.00	26.00	32.00	28.70	
08	14.00	20.00	28.00	34.00	30.70	

- ① Series No.
 ② Category: W-WAFER
 ③ Welding Board Angle: R-Right Angle 90°
 ④ Welding Way: S-SMT
 ⑤ Row No./Pin No.: XX-02P~20P
 ⑥ Plug the Pin & Special No.
 ⑦ Material: 9T-PA9T 94V-0 LP-LCP 94V-0
 ⑧ Plating Category: SW-Matte Tin Plating; V15-Gold 15u"
 ⑨ Color: HF-Halogen Free; Blank-Natural Color; BK-Black

- Specifications:
- Voltage rating: 100V AC / DC
 - Current rating: 2A AC / DC
 - Withstanding voltage: 800V AC/minute
 - Temperature range: -25°C~+85°C
 - Insulation resistance: ≥100MΩ
 - Contact resistance: ≤10mΩ
 - After environmental testing: ≤20mΩ



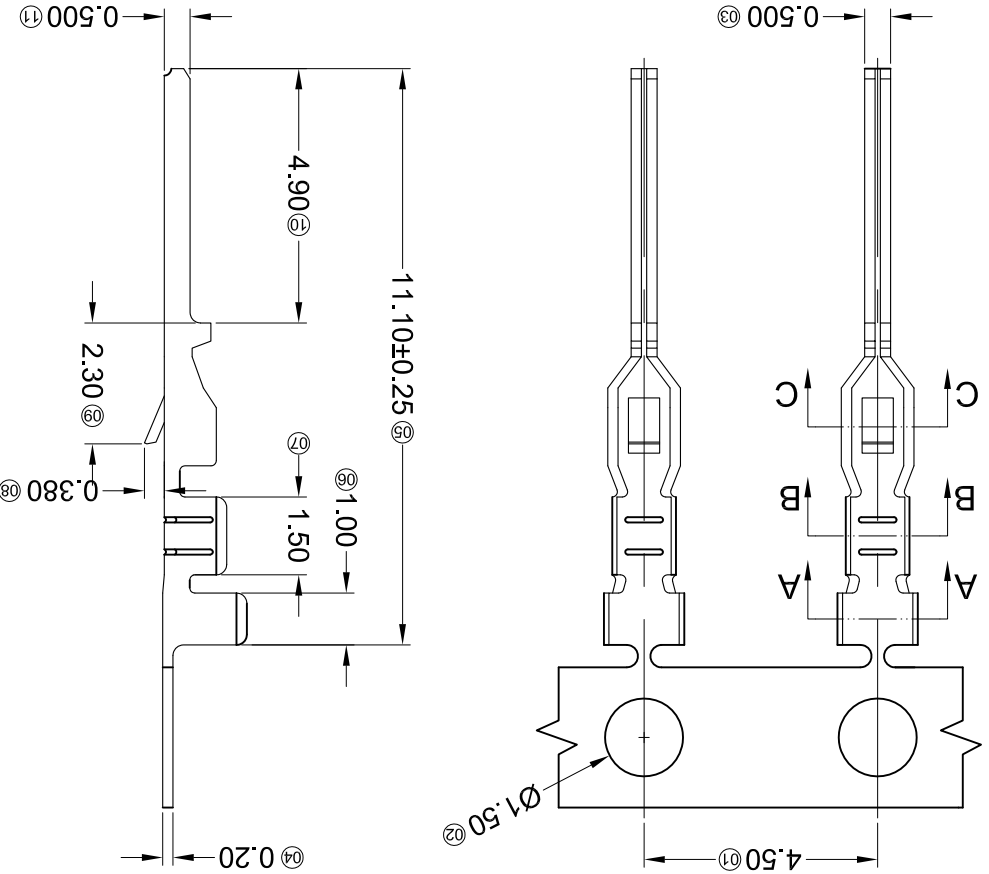
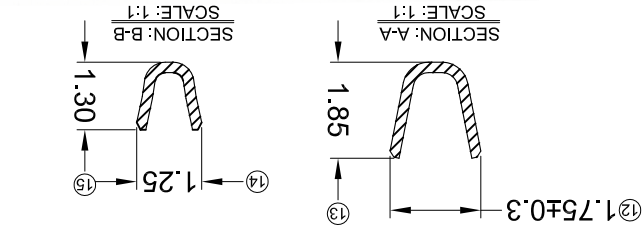
For and on behalf of
XKB INDUSTRIAL PRECISION CO., LIMITED
 香港星坤工業精密有限公司

REVISIONS		UNSPECIFIED TOLERANCES	
MARK	DESCRIPTION	APPROVED	REVISIED
△ X		L > 63	± 0.5
△ X		16 < L ≤ 63	± 0.4
△ X		4 < L ≤ 16	± 0.3
△ X		L ≤ 4	± 0.2
		ANGULAR	± 5°

REVISIONS		UNSPECIFIED TOLERANCES	
MARK	DESCRIPTION	APPROVED	REVISIED
△ X		L > 63	± 0.5
△ X		16 < L ≤ 63	± 0.4
△ X		4 < L ≤ 16	± 0.3
△ X		L ≤ 4	± 0.2
		ANGULAR	± 5°

DSND	DATE	SCALE: N/A	MODEL TYPE: X2016TM-PSN
DWN	DATE	VIEW:	PART NO.: 2.00 mm Crimp Style Connectors
CHKD	DATE	UNIT: mm	DWG NO.:
APPD	DATE	SIZE: A4	

PART NO	Material	Wire Range	Insulation O.D.	Finish	Suitable XKB Terminal
X2016TM-PSN	Phosphor Bronze	AWG#26-28	1.30mm(Max)	Stamping Before plating:30u" MIN, Nt.70u"Sn	X2016HF



■ Specifications :

- Voltage rating: 100V AC / DC
- Current rating: 2A AC / DC
- Withstanding voltage: 800V AC/minute
- Temperature range: -25°C~+85°C
- Insulation resistance: ≥1000MΩ
- Contact resistance: ≤10mΩ
- After environmental testing: ≤20mΩ

- ① Series Number
- ② Category: T-terminal
- ③ Shape: M-Male
- ④ Material: P-Phosphor bronze
- ⑤ Plating style: SN-Bright tin plating
- ⑥ Plating method: Blank-Stamping before plating
- ⑦ Mold No./Mark/Special No.

X2016 T M-P SN X - X
 ① ② ③ ④ ⑤ ⑥ ⑦

For and on behalf of
KXB INDUSTRIAL PRECISION CO., LIMITED
 香港星坤工業精密有限公司

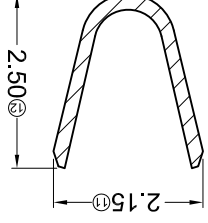
MARK	DESCRIPTION	DATE	REVISED	APPROVED	UNSPECIFIED TOLERANCES
△ X					L > 63
△ X					16 < L ≤ 63
△ X					4 < L ≤ 16
△ X					L ≤ 4
					ANGULAR
					± 5°

REVISIONS
 Authorized Signature(s)

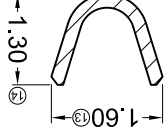
DATE	DATE	DATE	DATE	DATE	DATE
DATE	DATE	DATE	DATE	DATE	DATE
SCALE: N/A	VIEW:	UNIT: mm	SIZE: A4	WEIGHT	REVISION
MODEL TYPE: X2016T-P-XXXX	PART NO.:	2.00 mm Crimp Style Connectors		DWG NO.:	REVISION
					1/1
					AO

XPART NO	Material	Wire Range	Insulation O.D.	Finish	Suitable XKB Terminal
X2016T-PV01	Phosphor Bronze	AWG#24-30	1.50mm(Max)	Stamping Before plating:30u" MIN, Ni, 70u"Sn	
X2016T-P-SNB	AWG#24-30	1.50mm(Max)	Plating Before Stamping:10u" MIN, Ni, 30u"Sn	Whole Gold :Gold Flash	
X2016T-P-PSN			Stamping Before plating:30u" MIN, Ni, 70u"Sn		

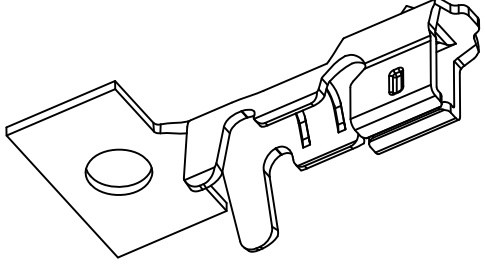
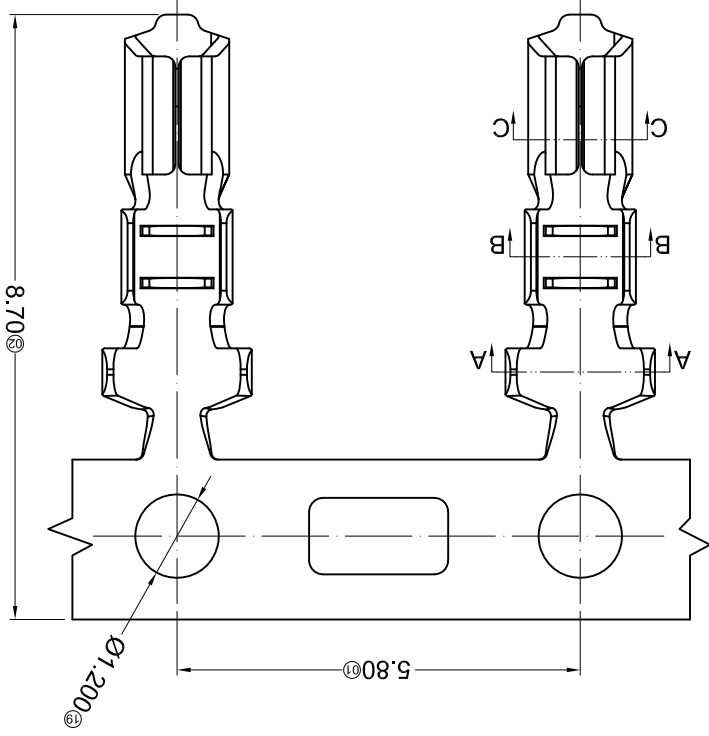
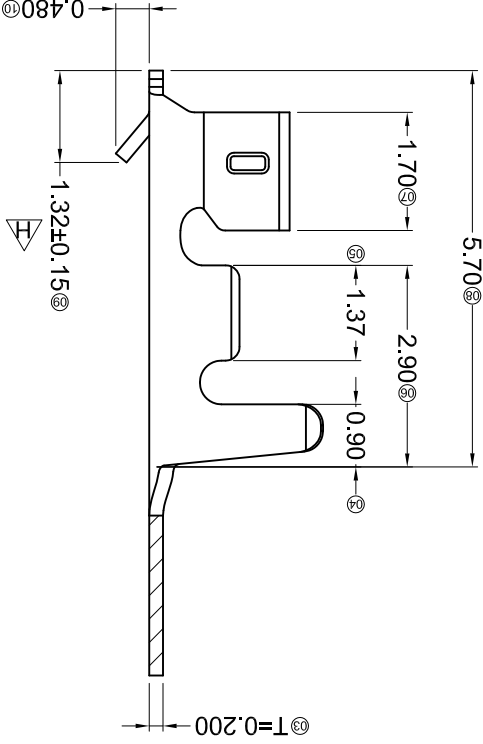
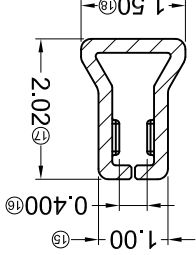
SECTION: A-A
 SCALE: 1:1



SECTION: B-B
 SCALE: 1:1



SECTION: C-C
 SCALE: 1:1



- Specifications :
- Voltage rating: 100V AC / DC
 - Current rating: 2A AC / DC
 - Withstanding voltage: 800V AC/minute
 - Temperature range: -25°C~+85°C
 - Insulation resistance: ≥1000MΩ
 - Contact resistance: ≤10mΩ
 - After environmental testing: ≤20mΩ

X2016 T X-P XXX X - X

① Series Number

② Category: T-terminal

③ Shape: Blank-ordinary

④ Material: P-Phosphor bronze

⑤ Plating style: V01-Gold Flash ; SN-Bright tin plating

⑥ Plating method: Blank-stamping before plating

⑦ Mold No./Mark/Special No.

B-Plating before stamping

Blank-stamping before plating

For and on behalf of
XKB INDUSTRIAL PRECISION CO., LIMITED
 香港星坤工業精密有限公司

REVISIONS
 Authorized Signatures

MARK	DESCRIPTION	DATE	REVISED	APPROVED	UNSPECIFIED TOLERANCES
△ X					L > 63 ± 0.5
△ X					16 < L ≤ 63 ± 0.4
△ X					4 < L ≤ 16 ± 0.3
△ X					L ≤ 4 ± 0.2
					ANGULAR ± 5°

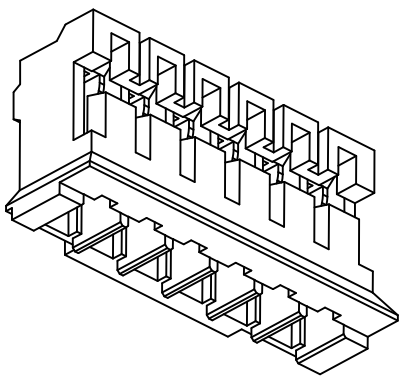
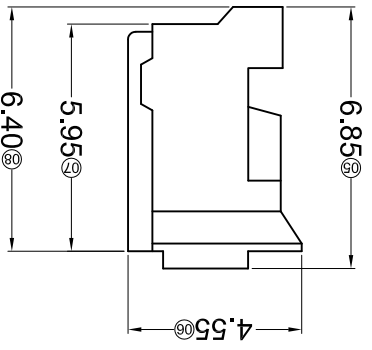
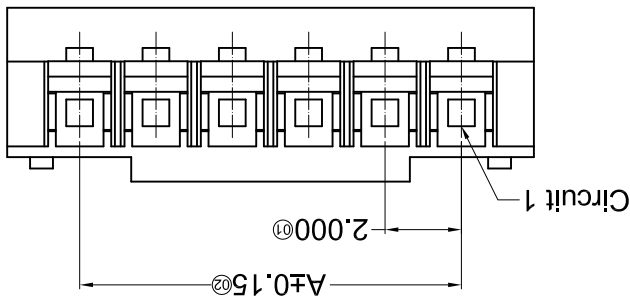
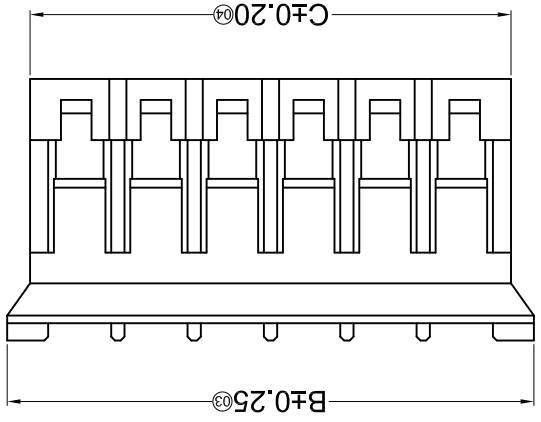
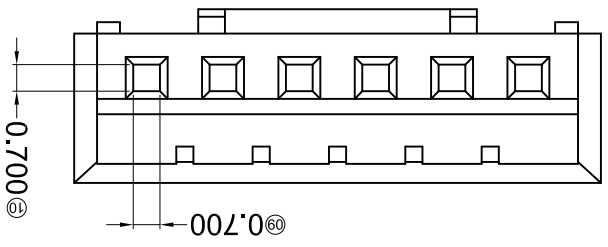
REVISION	SHEET	WEIGHT	1/1	1.0g	8
AO					

DATE	SCALE: N/A	MODEL TYPE: X2016H-XX-N0XX	VIEW:	DATE	DATE	DATE	DATE	DATE	DATE

DATE	DATE	DATE	DATE	DATE	DATE	DATE	DATE	DATE	DATE

DATE	DATE	DATE	DATE	DATE	DATE	DATE	DATE	DATE	DATE

DATE	DATE	DATE	DATE	DATE	DATE	DATE	DATE	DATE	DATE



PART NO	Material	Suitable XKB Terminal	Suitable XKB Terminal
X2016H-XX-N0	Nylon 66 UL 94V-0		Suitable XKB Terminal
X2016H-XX-N0HF	PA66 UL 94V-0 Halogen Free	X2016T	
X2016H-XX-N0C	Nylon 66 UL 94V-0		X2016W

Poles	Dimensions (mm)		
	A	B	C
02	2.00	5.80	4.60
03	4.00	7.80	6.60
04	6.00	9.80	8.60
05	8.00	11.80	10.60
06	10.00	13.80	12.60
07	12.00	15.80	14.60
08	14.00	17.80	16.60
09	16.00	19.80	18.60
10	18.00	21.80	20.60
11	20.00	23.80	22.60

- ① Series No.
 - ② Category: H-HSG
 - ③ Appearance type: Blank-Ordinary
 - ④ Row No.-Pin No.: XX-02P~20P
 - ⑤ Plug the Pin & special No.: Blank-Ordinary
 - ⑥ Material: N0-PA66 94V-0
 - ⑦ HF-Halogen Free
 - ⑧ C-Glowing Filament;
- X2016 H X-XX X-N0 HF-C

- Specifications:
- Voltage rating: 100V AC / DC
 - Current rating: 2A AC / DC
 - Withstanding voltage: 800V AC/minute
 - Temperature range: -25°C~+85°C
 - Insulation resistance: ≥1000MΩ
 - Contact resistance: ≤10mΩ
 - After environmental testing: ≤20mΩ

For and on behalf of
XKB INDUSTRIAL PRECISION CO., LIMITED
 香港星坤工業精密有限公司

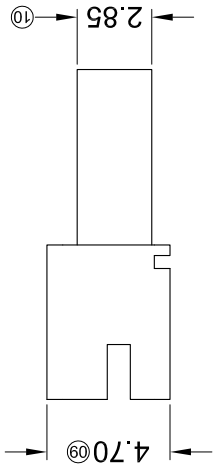
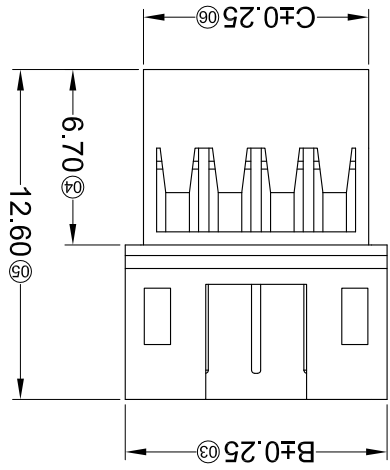
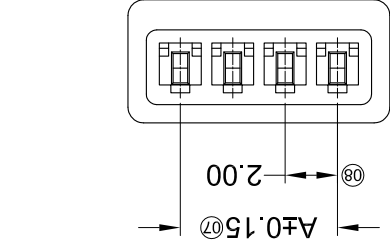
MARK	DESCRIPTION	DATE	REVISED	APPROVED	UNSPECIFIED TOLERANCES
△ X					L > 63
△ X					16 < L ≤ 63
△ X					4 < L ≤ 16
					L ≤ 4
					ANGULAR
					± 5°

REVISION	SHEET	WEIGHT	DATE	DATE	DATE	DATE
A0	1/1	1.0g				

XKB INDUSTRIAL PRECISION CO., LIMITED

DNSD	SCALE: N/A	DATE	
DWN	VIEW:	DATE	
CHKD	UNIT: mm	DATE	
APPD	SIZE: A4	DATE	

MODEL TYPE: X2016HF-XX-N0XX
 PART NO.:
 2.0mm Crimp Style Connectors
 DWG NO.:



PART NO	Material	Suitable XKB Terminal	Suitable XKB Terminal
X2016HF-XX-N0	Nylon 66 UL 94V-0	X2016TM	Suitable XKB Terminal
X2016HF-XX-N0BK	Nylon 66 UL 94V-0 Black	X2016TM	Suitable XKB Terminal

Poles	Dimensions (mm)		
	A	B	C
02	2.00	6.00	4.60
03	4.00	8.00	6.60
04	6.00	10.00	8.60
05	8.00	12.00	10.60
06	10.00	14.00	12.60
07	12.00	16.00	14.60
08	14.00	18.00	16.60
09	16.00	20.00	18.60
10	18.00	22.00	20.60
11	20.00	24.00	22.60

- ① Series No.
- ② Category: H-HSG
- ③ Welding Board Angle: F-Female HSG
- ④ Row No.-Pin No.: XX-02P~20P
- ⑤ Plug the Pin & special No.:
- ⑥ Material: N0-PA66 94V-0;
- ⑦ Color: Blank-natural color; BK-Black

X2016 H F-XX X-N0 XX

- Specifications :
- Voltage rating: 125V AC / DC
 - Current rating: 1A AC / DC
 - Withstanding voltage: 250V AC/minute
 - Temperature range: -25°C~+85°C
 - Insulation resistance: ≥100MΩ
 - Contact resistance: ≤20mΩ
 - After environmental testing: ≤40mΩ

X-ON Electronics

Largest Supplier of Electrical and Electronic Components

Click to view similar products for [Headers & Wire Housings](#) category:

Click to view products by [XKB](#) manufacturer:

Other Similar products are found below :

[95000-104TRLF](#) [10135584-644402LF](#) [DF62W-EP2022PCA](#) [95000-106TRLF](#) [DF62W-2022SCA](#) [DF62W-EP2022PC](#) [2203348](#) [DF62W-2022SC](#) [1084018](#) [1029039](#) [1084017](#) [802-10-012-10-002000](#) [1112640](#) [1112639](#) [891-007-9SS-BST1T](#) [000-34000](#) [0008550134](#) [0009482033](#) [0009507031](#) [57102-F02-18ULF](#) [57102-S06-03LF](#) [57202-S52-04LF](#) [PCN6-15S-2.5E](#) [0039019024](#) [58102-G61-06LF](#) [582553-1](#) [0009485154](#) [0009508121](#) [0022285053](#) [0050291907](#) [018731A](#) [LY20-4P-DT1-P1E-BR](#) [02.125.8002.8](#) [60101931](#) [60598-1 \(Cut Strip\)](#) [M1625-3R/100](#) [61062-3](#) [61082-181009](#) [CSU011177004](#) [636-1427](#) [638009-1](#) [641938-9](#) [641991-4](#) [644168-1](#) [644827-2](#) [647662-1](#) [65039-019ELF](#) [65692-001LF](#) [65781-018](#) [65781-047](#)