

For and on behalf of  
**XKB INDUSTRIAL PRECISION CO., LIMITED**  
 香港星坤工業精密有限公司

Revisions (Authorized Signatures)

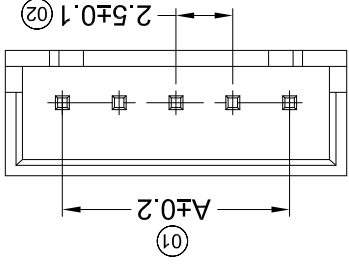
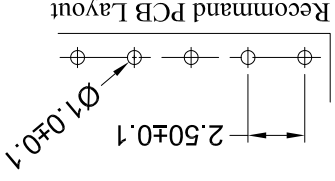
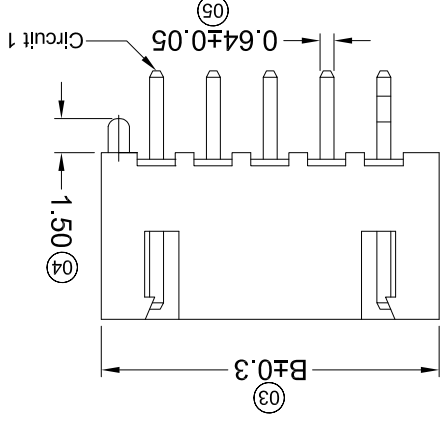
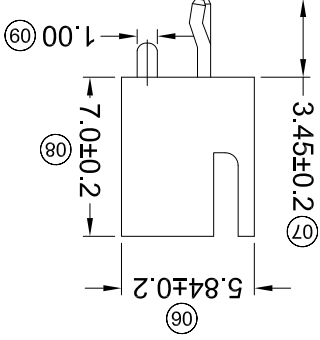
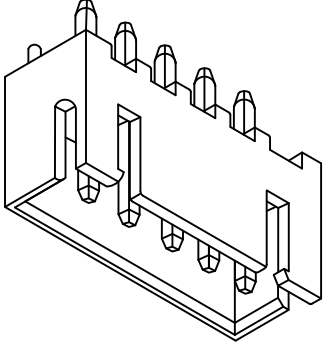
MARK	DESCRIPTION	DATE	REVISED	APPROVED	UNSPECIFIED TOLERANCES
△X					L > 63 ±0.5
△X					16 > L ≤ 63 ±0.4
△X					4 < L ≤ 16 ±0.3
△X					L ≤ 4 ±0.2
					ANGULAR ±5°

DATE	SCALE: N/A	MODEL TYPE:
		X8821WV-XXKS-N0SN
DATE	VIEW:	PART NO.:
		2.50 mm Crimp style Connector
DATE	UNIT: mm	DWG NO.:
DATE	SIZE: A4	REVISION
		1/1
DATE	WEIGHT	A0
	1.0g	

PART NO	Material	Material(Pin)	Finish(Pin)	Suitable XKB Terminal
X8821WV-XXKS-N0SN	Nylon 66 UL 94V-0	Brass	Tin-Plated	X8821H

Dimensions (mm)	A	B
02	2.50	7.50
03	5.00	10.00
04	7.50	12.50
05	10.00	15.00
06	12.50	17.50
07	15.00	20.00
08	17.50	22.50
09	20.00	25.00
10	22.50	27.50
11	25.00	30.00
12	27.50	32.50
13	30.00	35.00
14	32.50	37.50
15	35.00	40.00
16	37.50	42.50
17	40.00	45.00
18	42.50	47.50
19	45.00	50.00
20	47.50	52.50

- ① Series No. X8821 W V X-XX KS -N0 SN XX
- ② Category: W-WAFER
- ③ Welding Board Angle: V-180° ; R-90°
- ④ Welding Way: Blank-DIP ; S-SMT
- ⑤ Row No.-Pin No.: XX-Single Row ; 2\*XX-Double Row
- ⑥ Plug the Pin & Special No.: Blank-Without Kink ; K-With Kink
- ⑦ Material: NO -PA66 94V-0  
S-With Post
- ⑧ Plating Category: G\*\*-Gold Plated Contact  
V\*\*- All Gold-Plated  
01-Gold Flash 02-2u" 03-3u"  
05-5u" 10-10u" 15-15u"  
SN-Bright Tin Plating (70u")  
SN1-Bright Tin Plating (120u" Min).  
0-No Plating Material  
SW- Fog Tin Plating  
HS-Hight temperature Tin
- ⑨ Color : Blank-Natural Color ;



- Specifications :
- Voltage rating: 250V AC / DC
  - Current rating: 3A AC / DC
  - Withstanding voltage: 1000V AC/minute
  - Temperature range: -25°C~+85°C
  - Insulation resistance: ≥1000MΩ
  - Contact resistance: ≤10mΩ
  - After environmental testing: ≤20mΩ

REVISIONS (Authorized Signatures)

MARK	DESCRIPTION	DATE	REVISED	APPROVED	UNSPECIFIED TOLERANCES
△X					L > 63 ±0.5
△X					16 > L ≤ 63 ±0.4
△X					4 < L ≤ 16 ±0.3
					L ≤ 4 ±0.2
					ANGULAR ±5°

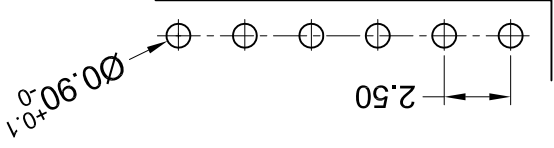
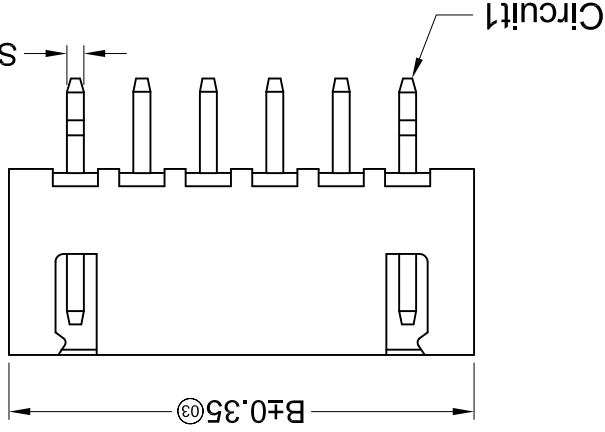
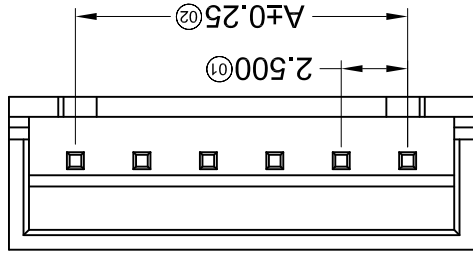
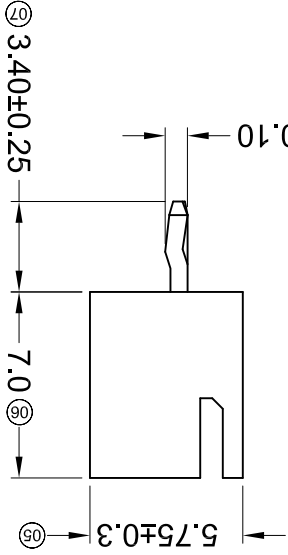
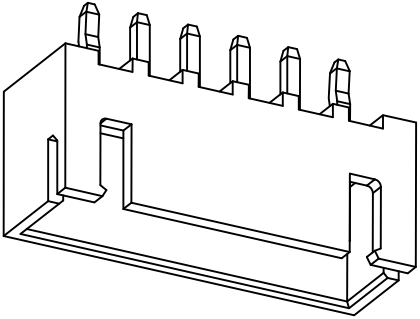
For and on behalf of  
**XKB INDUSTRIAL PRECISION CO., LIMITED**  
 香港星坤工業精密有限公司

DATE	SCALE: N/A	MODEL TYPE:
DNSD		X8821WV-XXK-N0SN
DWN		PART NO.: X8821WV-XXK-N0SN
CHKD		DWG NO.: 2.50mm Crimp Style Connector
APPD		SIZE: A4
		WEIGHT: 1.0g
		SHEET: 1/1
		REVISION: A0

PART NO	Material	Material(Pin)	Finish(Pin)	Suitable XKB Terminal
X8821WV-XXK-N0SN	Nylon 66 UL 94V-0	Brass	Tin-Plated	X8821H

Poles	Dimensions(mm)	
	A	B
02	2.50	7.50
03	5.00	10.00
04	7.50	12.50
05	10.00	15.00
06	12.50	17.50
07	15.00	20.00
08	17.50	22.50
09	20.00	25.00
10	22.50	27.50
11	25.00	30.00
Dimensions(mm)	A	B
	47.50	52.50

- ① Series No.  
 X8821 W V X-XX K-N0 SN XX
- ② Category: W-WAFER  
 ③ Welding Board Angle: V-Stringht 180°  
 ④ Welding Way: Blank-DIP;  
 ⑤ Row No.-Pin No.: XX-Single Row;  
 ⑥ Plug the Pin & Special No.: K-KINK  
 ⑦ Material: NO -PA66 94V-0  
 ⑧ Plating Category: SN-Bright Tin Plating  
 ⑨ Color: Blank-Natural Color
- Specifications:
- Voltage rating: 250V AC / DC
  - Current rating: 3A AC / DC
  - Withstanding voltage: 1000V AC/minute
  - Temperature range: -25°C~+85°C
  - Insulation resistance: ≥1000MΩ
  - Contact resistance: ≤10mΩ
  - After environmental testing: ≤20mΩ



Recommended P.C.B Layout  
 General Tolerance±0.05

REVISIONS: \_\_\_\_\_  
 (Unauthorized Signature(s))

DESCRIPTION

MARK

DATE

REVISOR

APPROVED

UNSPECIFIED TOLERANCES

±0.5

L > 63

16 > L ≤ 63 ±0.4

4 < L ≤ 16 ±0.3

L ≤ 4 ±0.2

ANGULAR ±5°

香港星坤工業精密有限公司  
 XKB INDUSTRIAL PRECISION CO., LIMITED

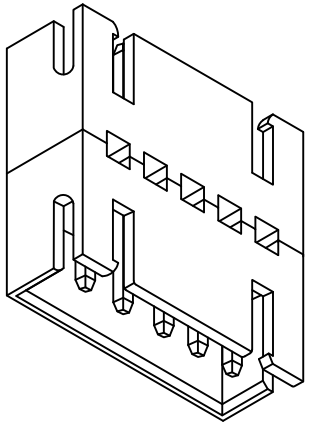
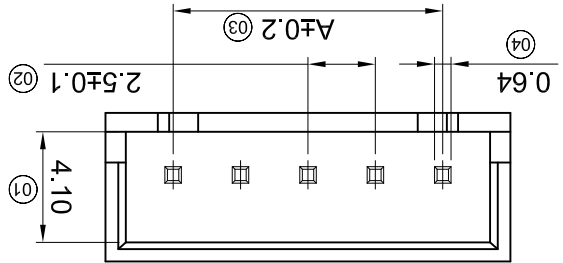
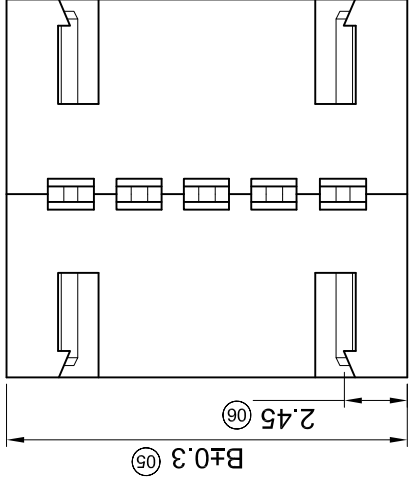
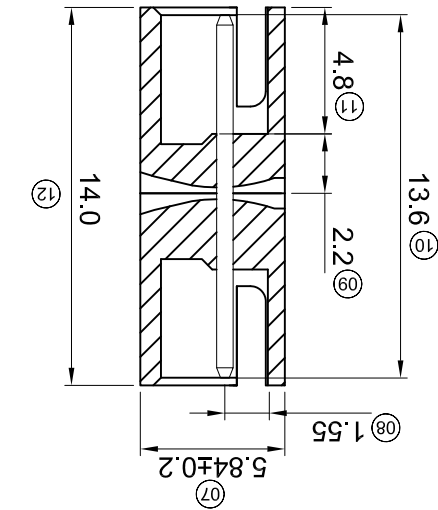
For and on behalf of  
 XKB INDUSTRIAL PRECISION CO., LIMITED

REVISION	SHEET	WEIGHT	XKB INDUSTRIAL PRECISION CO., LIMITED			
A0	1/1	1.0g	SIZE: A4	DATE	DATE	DATE
2.50 mm Crimp style Connector			UNIT: mm	DATE	DATE	DATE
PART NO.: X8821WV-XXH2-N0SN			VIEW:	DATE	DATE	DATE
MODEL TYPE: X8821WV-XXH2-N0SN			SCALE: N/A	DATE	DATE	DATE

PART NO	Material	Material(Pin)	Finish(Pin)	Suitable XKB Terminal
X8821WV-XXH2-N0SN	Nylon 66 UL 94V-0	Brass	Tin-Plated	X8821H

Dimensions (mm)	A	B
02	2.50	7.50
03	5.00	10.00
04	7.50	12.50
05	10.00	15.00
06	12.50	17.50
07	15.00	20.00
08	17.50	22.50
09	20.00	25.00
10	22.50	27.50
11	25.00	30.00
12	27.50	32.50
13	30.00	35.00
14	32.50	37.50
15	35.00	40.00
16	37.50	42.50
17	40.00	45.00
18	42.50	47.50
19	45.00	50.00
20	47.50	52.50

- ① Series No. X8821 W V X-XX H2 -N0 XX XX
- ② Category: W-WAFER
- ③ Welding Board Angle: V-180° ; R-90°
- ④ Welding Way: Blank-DIP ; S-SMT
- ⑤ Row No.-Pin No.: XX-Single Row ; 2\*XX-Double Row
- ⑥ Plug the Pin & Special No.: H2-Double-Faced Wafer
- ⑦ Material: N0-PA66 94V-0
- ⑧ Plating Category: G\*\*-Gold Plated Contact
- V\*\*- All Gold-Plated
- 01-Gold Flash 02-2u" 03-3u"
- 05-5u" 10-10u" 15-15u"
- SN-Bright Tin Plating (70u")
- SN1-Bright Tin Plating (120u" Min).
- 0-No Plating Material
- SW-Fog Tin Plating
- HS-Hight temperature Tin
- ⑨ Color : Blank-Natural Color ;



- Specifications :
- Voltage rating: 250V AC / DC
  - Current rating: 3A AC / DC
  - Withstanding voltage: 1000V AC/minute
  - Temperature range: -25°C~+85°C
  - Insulation resistance: ≥1000MΩ
  - Contact resistance: ≤10mΩ
  - After environmental testing: ≤20mΩ

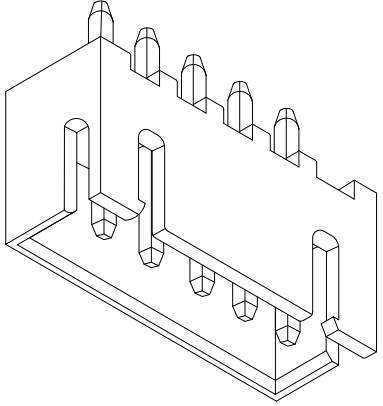
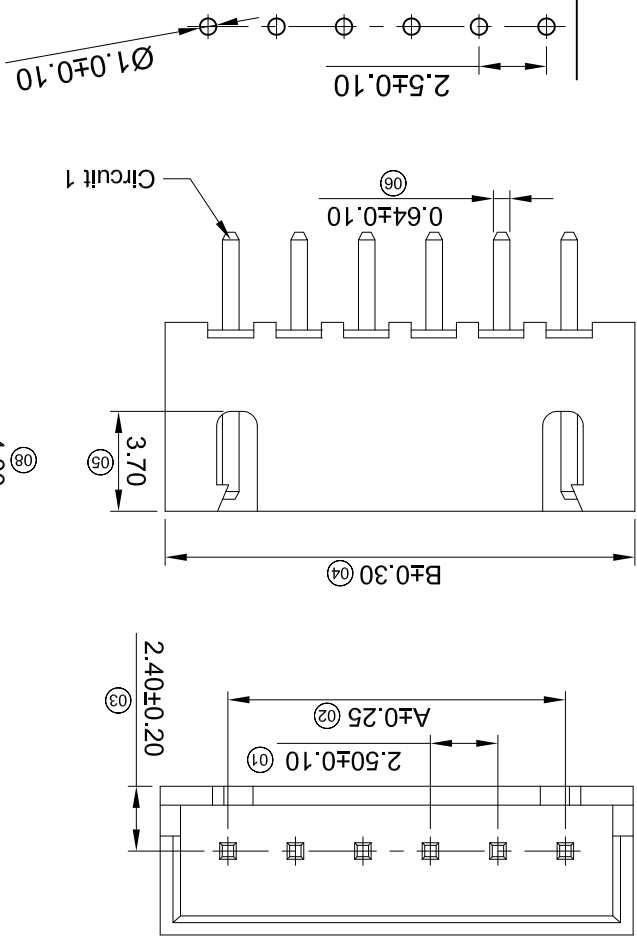
For and on behalf of  
**XKB INDUSTRIAL PRECISION CO., LIMITED**  
 香港星坤工業精密有限公司

Revisions Signatures(s)

MARK	DESCRIPTION	DATE	REVISED	APPROVED	UNSPECIFIED TOLERANCES
△X					±0.5
△X					L > 63
△X					16 < L ≤ 63
					±0.4
					4 < L ≤ 16
					±0.2
					L ≤ 4
					ANGULAR
					±5°

REVISION	SHEET	WEIGHT	XKB INDUSTRIAL PRECISION CO., LIMITED			
A0	1/1	1.0g				
			SIZE: A4	DATE	DATE	DATE
			UNIT: mm	DATE	DATE	DATE
			VIEW:	DATE	DATE	DATE
			SCALE: N/A	DATE	DATE	DATE
			MODEL TYPE: X8821WV-XX-N0XX			
			PART NO.: 2.50 mm Crimp style Connector			
			DWG NO.:			

Recommend PCB Layout



X8821 W V X-XX X-N0 XX XX

- ① Series No.
- ② Category: W-WAFER
- ③ Welding Board Angle: V-180° ; R-90°
- ④ Welding Way: Blank-DIP ; S-SMT
- ⑤ Row No.-Pin No.: XX-Single Row ; 2\*XX-Double Row
- ⑥ Plug the Pin & Special No.:
- ⑦ Material: N0-PA66 94V-0
- ⑧ Plating Category: G\*\*-Gold Plated Contact
- ⑨ V\*\*- All Gold-Plated
- 01-Gold flash 02-2u" 03-3u"
- 05-5u" 10-10u" 15-15u"
- SN-Bright Tin Plating (70u")
- SN-1-Bright Tin Plating (120u" Min).
- 0-No Plating Material
- SW-Fog Tin Plating
- HS-Hight temperature Tin
- ⑩ Color : Blank-Natural Color ;

Dimensions (mm)	A	B
02	2.50	7.50
03	5.00	10.00
04	7.50	12.50
05	10.00	15.00
06	12.50	17.50
07	15.00	20.00
08	17.50	22.50
09	20.00	25.00
10	22.50	27.50
11	25.00	30.00
12	27.50	32.50
13	30.00	35.00
14	32.50	37.50
15	35.00	40.00
16	37.50	42.50
17	40.00	45.00
18	42.50	47.50
19	45.00	50.00
20	47.50	52.50

- Specifications :
- Voltage rating: 250V AC / DC
  - Current rating: 3A AC / DC
  - Withstanding voltage: 1000V AC/minute
  - Temperature range: -25°C~+85°C
  - Insulation resistance: ≥1000MΩ
  - Contact resistance: ≤10mΩ
  - After environmental testing: ≤20mΩ

REVISIONS		APPROVED		REVISED		DATE	
MARK	DESCRIPTION						
△X							
△X							
△X							

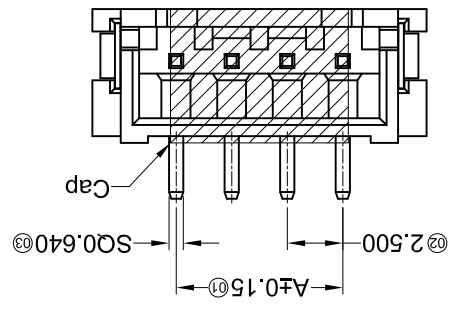
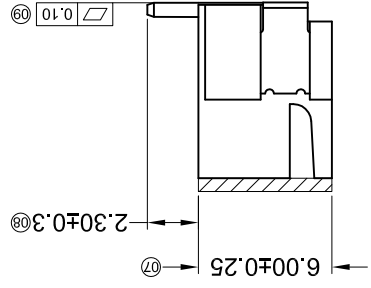
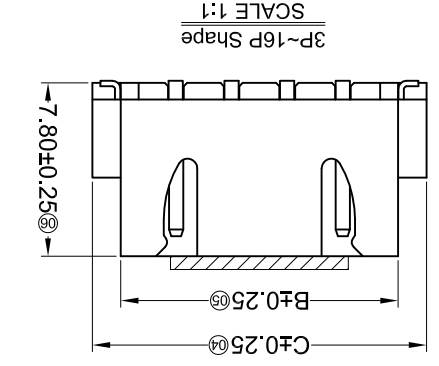
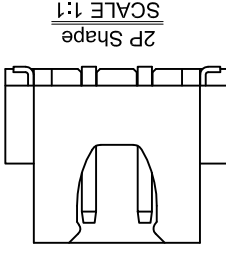
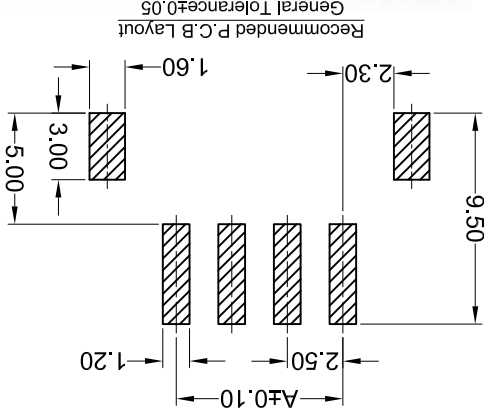
**香港星坤工業精密有限公司**  
KKB INDUSTRIAL PRECISION CO., LIMITED

*For and on behalf of*

UNSPECIFIED TOLERANCES	APPROVED		REVISED		DATE	
±0.5	L > 63					
±0.4	16 < L ≤ 63					
±0.3	4 < L ≤ 16					
±0.2	L ≤ 4					
±5°	ANGULAR					

DSND	DATE	SCALE: N/A	MODEL TYPE: X8821WVS-XX-9TSN
DWN	DATE	VIEW:	PART NO.:
CHKD	DATE	UNIT: mm	DWG NO.:
APPD	DATE	SIZE: A4	

**KKB INDUSTRIAL PRECISION CO., LIMITED**



Poles	A	B	C	Dimensions(mm)
02	2.50	7.45	10.00	27.45
03	5.00	9.95	12.50	29.95
04	7.50	12.45	15.00	32.45
05	10.00	14.95	17.50	34.95
06	12.50	17.45	20.00	37.45
07	15.00	19.95	22.50	39.95
08	17.50	22.45	25.00	42.45
09	20.00	24.95	27.50	45.00

Poles	A	B	C	Dimensions(mm)
02	2.50	7.45	10.00	27.45
03	5.00	9.95	12.50	29.95
04	7.50	12.45	15.00	32.45
05	10.00	14.95	17.50	34.95
06	12.50	17.45	20.00	37.45
07	15.00	19.95	22.50	39.95
08	17.50	22.45	25.00	42.45
09	20.00	24.95	27.50	45.00

PART NO	Material	Material(Pin)	Finish(Pin)	Material(Solder Tabs)	Finish(Solder Tabs)	Suitable XKB Terminal
X8821WVS-XX-9TSN	PA9T UL 94V-0	Brass	Tin-plated	Phosphore Bronze	Tin-plated	x8821H

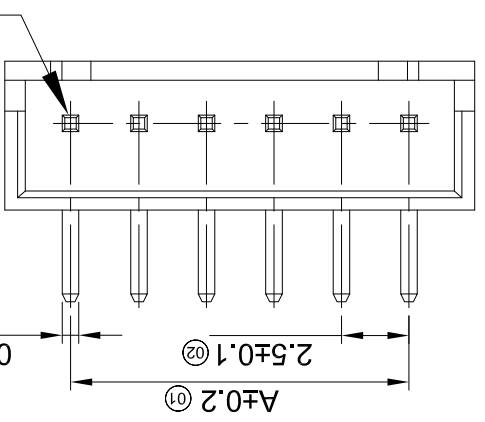
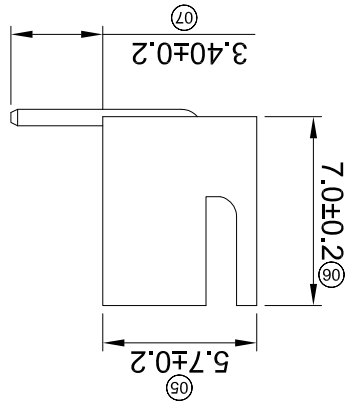
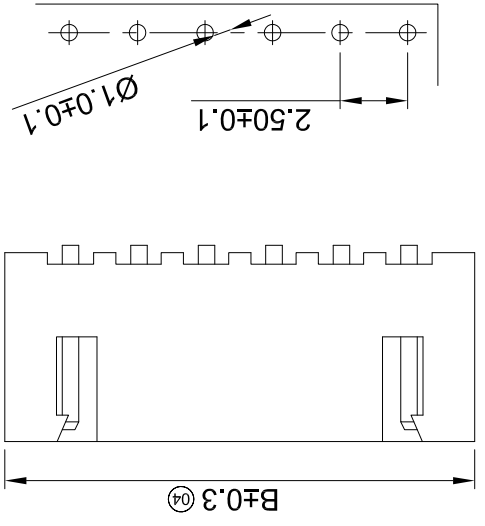
- Specifications :**
- Voltage rating: 250V AC / DC
  - Current rating: 3A AC / DC
  - Withstanding voltage: 1000V AC/minute
  - Temperature range: -25°C~+85°C
  - Insulation resistance: ≥1000MΩ
  - Contact resistance: ≤10mΩ
  - After environmental testing: ≤20mΩ
- Series No.**
- X8821 W V S-XX X-9T SN XX
- ① ② ③ ④ ⑤ ⑥ ⑦ ⑧ ⑨
- ① Series No.
  - ② Category: W-WAFER
  - ③ Welding Board Angle: V-180°
  - ④ Welding Way: S-SMT
  - ⑤ Row No.-Pin No.: XX-Single Row
  - ⑥ Plug the Pin & Special No.:
  - ⑦ Material: 9T -PA9T 94V-0
  - ⑧ Plating Category: SN-Bright Tin Plating
  - ⑨ Color: Blank-Natural Color

For and on behalf of  
**KXB INDUSTRIAL PRECISION CO., LIMITED**  
 香港星坤工業精密有限公司

MARK	DESCRIPTION	DATE	REVISED	APPROVED	UNSPECIFIED TOLERANCES	
					L > 63	± 0.5
△ X					16 < L ≤ 63	± 0.4
△ X					4 < L ≤ 16	± 0.3
△ X					L ≤ 4	± 0.2
					ANGULAR	± 5°

REVISIONS		WEIGHT		KXB INDUSTRIAL PRECISION CO., LIMITED	
NO.	DESCRIPTION	1.0g	SHEET	SIZE: A4	DATE
A0	REVISION	1/1			

**Recommend PCB Layout**



PART NO	Material	Material(Pin)	Finish(Pin)	Suitable XKB Terminal
X8821WR-XXS-N0SN	Nylon 66 UL 94V-0	Brass	Tin-Plated	X8821H

Dimensions (mm)	A	B
02	2.50	7.50
03	5.00	10.00
04	7.50	12.50
05	10.00	15.00
06	12.50	17.50
07	15.00	20.00
08	17.50	22.50
09	20.00	25.00
10	22.50	27.50
11	25.00	30.00
12	27.50	32.50
13	30.00	35.00
14	32.50	37.50
15	35.00	40.00
16	37.50	42.50
17	40.00	45.00
18	42.50	47.50
19	45.00	50.00
20	47.50	52.50

- X8821 W R X-XX S-N0 SN XX**
- ① Series No.
  - ② Category: W-WAFER
  - ③ Welding Board Angle: V-180°; R-90°
  - ④ Welding Way: Blank-DIP; S-SMT
  - ⑤ Row No.-Pin No.: XX-Single Row; 2\*XX-Double Row
  - ⑥ Plug the Pin & Special No.: S-No Positioning
  - ⑦ Material: N0 -PA66 94V-0
  - ⑧ Plating Category: G\*\*-Gold Plated Contact
  - ⑨ V\*\*- All Gold-Plated
  - ⑩ 01-1u" 02-2u" 03-3u"
  - ⑪ 05-5u" 10-10u" 15-15u"
  - ⑫ SN-Bright Tin Plating (70u")
  - ⑬ SN1-Bright Tin Plating (120u" Min).
  - ⑭ 0-No Plating Material
  - ⑮ SW-Fog Tin Plating
  - ⑯ HS-Hight temperature Tin
  - ⑰ Color: Blank-Natural Color

- Specifications:**
- Voltage rating: 250V AC / DC
  - Current rating: 3A AC / DC
  - Withstanding voltage: 1000V AC/minute
  - Temperature range: -25°C~+85°C
  - Insulation resistance: ≥1000MΩ
  - Contact resistance: ≤10mΩ
  - After environmental testing: ≤20mΩ

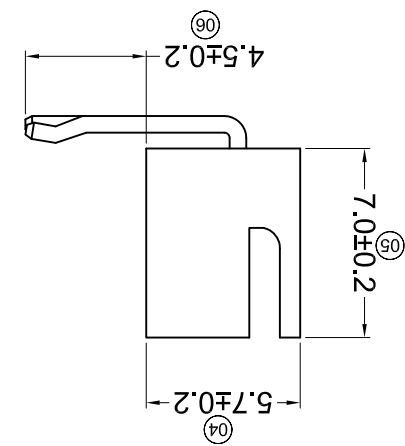
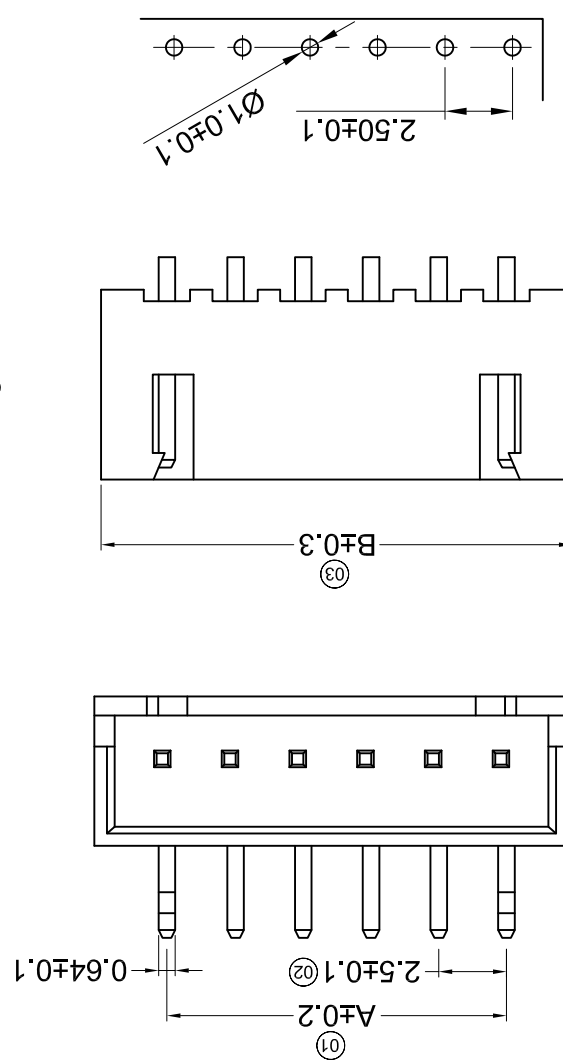
REVISIONS		APPROVED		REVISED		DATE		DESCRIPTION		MARK	
Δ X											
Δ X											
Δ X											

香港星坤工業精密有限公司  
KKB INDUSTRIAL PRECISION CO., LIMITED  
For and on behalf of

UNSPECIFIED TOLERANCES		APPROVED		REVISED		DATE		DESCRIPTION		MARK	
±0.5	L > 63										
±0.4	16 < L ≤ 63										
±0.3	4 < L ≤ 16										
±0.2	L ≤ 4										
±5°	ANGULAR										

WEIGHT	1.0g	REVISION	A0
SHEET	1/1	KKB INDUSTRIAL PRECISION CO., LIMITED	
SIZE	A4	DATE	
UNIT	mm	DATE	
VIEW	VIEW:	DATE	
SCALE	N/A	DATE	
MODEL TYPE	X8821WR-XXKS-N0SN	DATE	
PART NO.		DATE	
DWG NO.	2.50 mm Crimp style Connector	DATE	

Recommend PCB Layout



PART NO	Material	Material(Pin)	Finish(Pin)	Suitable XKB Terminal
X8821WR-XXKS-N0SN	Nylon 66 UL 94V-0	Brass	Tin-Plated	X8821H

Dimensions (mm)	A	B
Poles	2.50	7.50
02	2.50	7.50
03	5.00	10.00
04	7.50	12.50
05	10.00	15.00
06	12.50	17.50
07	15.00	20.00
08	17.50	22.50
09	20.00	25.00
10	22.50	27.50
11	25.00	30.00
12	27.50	32.50
13	30.00	35.00
14	32.50	37.50
15	35.00	40.00
16	37.50	42.50
17	40.00	45.00
18	42.50	47.50
19	45.00	50.00
20	47.50	52.50

- X8821 W R X-XX KS -N0 SN XX
- ① Series No.
  - ② Category : W-WAFER
  - ③ Welding Board Angle : V-180° ; R-90°
  - ④ Welding Way : Blank-DIP ; S-SMT
  - ⑤ Row No.-Pin No. : XX-Single Row ; 2\*XX-Double Row
  - ⑥ Plug the Pin & Special No. : KS- With Kink and No Positioning
  - ⑦ Material : N0 -PA66 94V-0
  - ⑧ Plating Category : G\*-Gold Plated Contact
  - ⑨ V\*- All Gold-Plated
  - ⑩ 01-Gold Flash 02-2u" 03-3u"
  - ⑪ 05-5u" 10-10u" 15-15u"
  - ⑫ SN-Bright Tin Plating (70u")
  - ⑬ SN1-Bright Tin Plating (120u" Min).
  - ⑭ 0-No Plating Material
  - ⑮ SW-Fog Tin Plating
  - ⑯ HS-Hight temperature Tin
  - ⑰ Color : Blank-Natural Color ;

- Specifications :
- Voltage rating: 250V AC / DC
  - Current rating: 3A AC / DC
  - Withstanding voltage: 1000V AC/minute
  - Temperature range: -25°C~+85°C
  - Insulation resistance: ≥1000MΩ
  - Contact resistance: ≤10mΩ
  - After environmental testing: ≤20mΩ

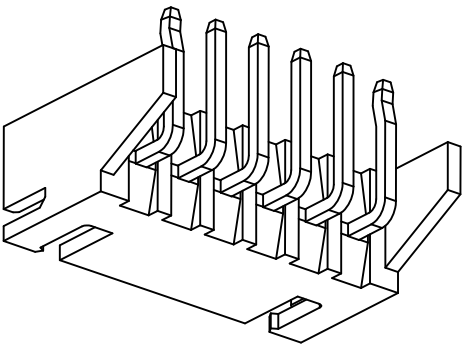
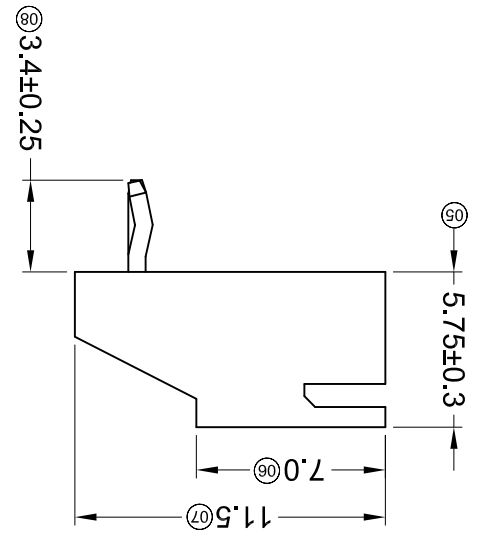
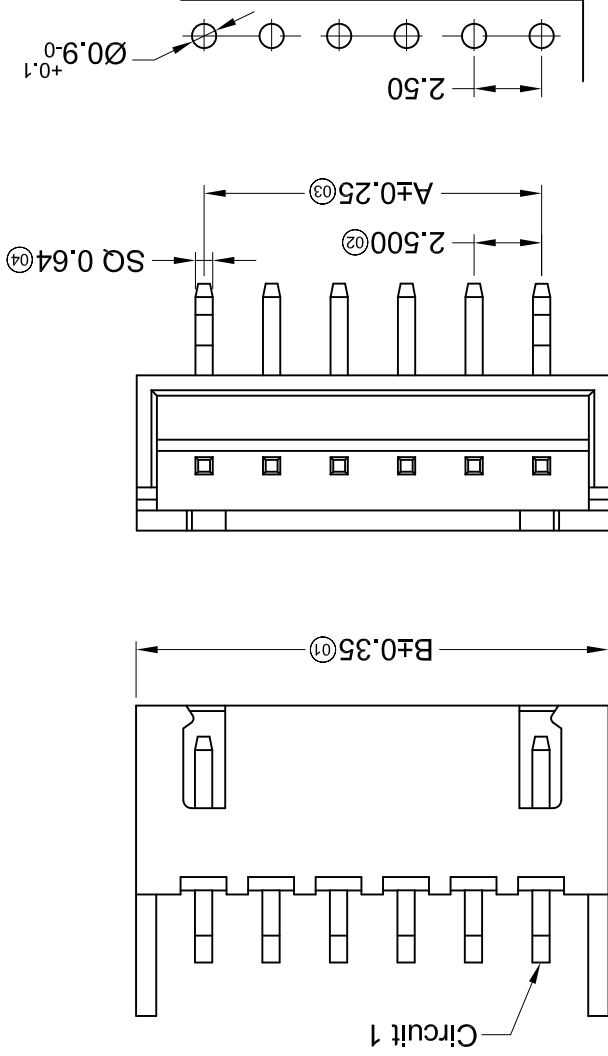
For and on behalf of  
**XKB INDUSTRIAL PRECISION CO., LIMITED**  
 香港星坤工業精密有限公司

Authorized Signatures

MARK	DESCRIPTION	DATE	REVISED	APPROVED	UNSPECIFIED TOLERANCES
△X					L > 63 ±0.5
△X					16 < L ≤ 63 ±0.4
△X					4 < L ≤ 16 ±0.3
					L ≤ 4 ±0.2
					ANGULAR ±5°

DATE	SCALE: N/A	MODEL TYPE: X8821WR-XXK-NOSN	DWNSD	DATE	VIEW:	PART NO.: 2.50mm Crimp style Connector	DWGS NO.:	SIZE: A4
			CHKD	DATE <td>UNIT: mm</td> <td></td> <td></td> <td></td>	UNIT: mm			
			APPD	DATE <td></td> <td></td> <td></td> <td></td>				

Recommended P.C.B Layout  
 General Tolerance±0.05



PART NO	Material	Material(Pin)	Finish(Pin)	Suitable XKB Terminal
X8821WR-XXK-NOSN	Nylon 66 UL 94V-0	Brass	Tin-Plated	X8821H

Poles	Dimensions(mm)		Poles	Dimensions(mm)	
	A	B		A	B
02	2.50	7.50	12	27.50	32.50
03	5.00	10.00	13	30.00	35.00
04	7.50	12.50	14	32.50	37.50
05	10.00	15.00	15	35.00	40.00
06	12.50	17.50	16	37.50	42.50
07	15.00	20.00	17	40.00	45.00
08	17.50	22.50	18	42.50	47.50
09	20.00	25.00	19	45.00	50.00
10	22.50	27.50	20	47.50	52.50
11	25.00	30.00			

X8821 W R X-XX K -N0 SN XX  
 ① ② ③ ④ ⑤ ⑥ ⑦ ⑧ ⑨

- ① Series No.
- ② Category: W-WAFER
- ③ Welding Board Angle: R-Right Angle 90°
- ④ Welding Way: Blank-DIP;
- ⑤ Row No.-Pin No.: XX-Single Row;
- ⑥ Plug the Pin & Special No.: K-KINK
- ⑦ Material: NO -PA66 94V-0
- ⑧ Plating Category: SN-Bright Tin Plating
- ⑨ Color: Blank-Natural Color

- Specifications:
- Voltage rating: 250V AC / DC
  - Current rating: 3A AC / DC
  - Withstanding voltage: 1000V AC/minute
  - Temperature range: -25°C~+85°C
  - Insulation resistance: ≥1000MΩ
  - Contact resistance: ≤10mΩ
  - After environmental testing: ≤20mΩ



REVISIONS		APPROVED	REVISOR	DATE	DESCRIPTION	MARK
1	Initial					
<b>香港星坤工業精密有限公司</b> <b>XKB INDUSTRIAL PRECISION CO., LIMITED</b> <i>For and on behalf of</i>						
<b>REVISIONS SIGNATURE(S)</b>						

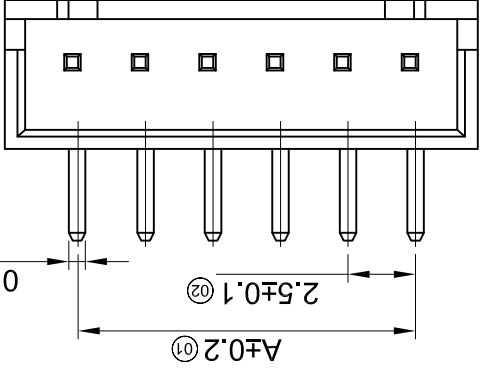
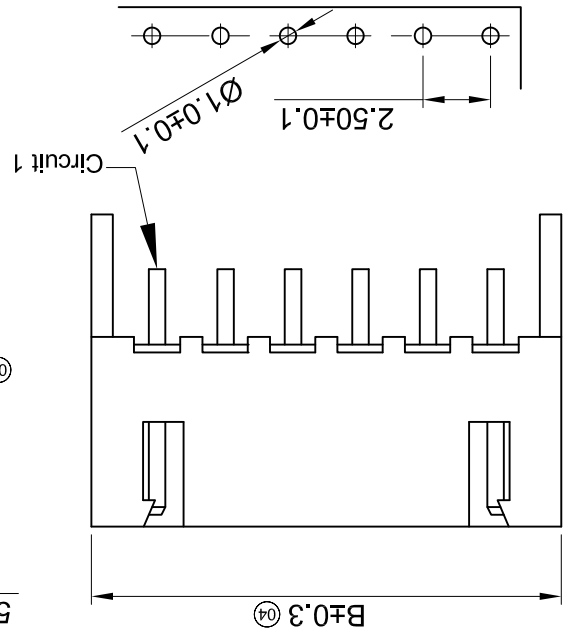
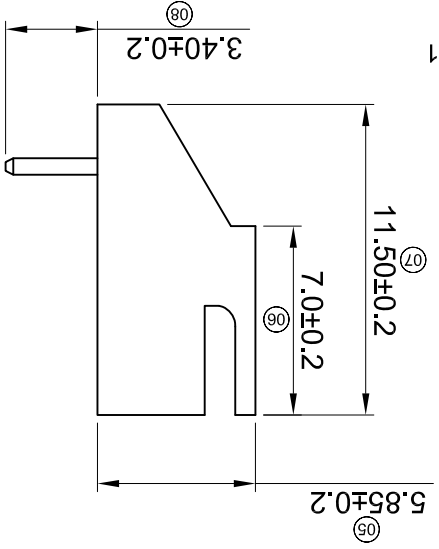
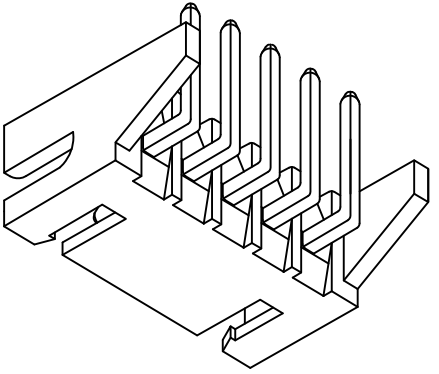
UNSPECIFIED TOLERANCES	±0.5	DATE		APPD		SIZE: A4
L > 63	±0.4	DATE		CHKD		UNIT: mm
16 < L ≤ 63	±0.3	DATE		DWN		VIEW:
4 < L ≤ 16	±0.2	DATE		DSND		SCALE: N/A
L ≤ 4	±0.2					
ANGULAR	±5°					

PART NO	Material	Material(Pin)	Finish(Pin)	Suitable Xkb Terminal
X8821WR-XX-N0SN	Nylon 66 UL 94V-0	Brass	Tin-Plated	X8821H

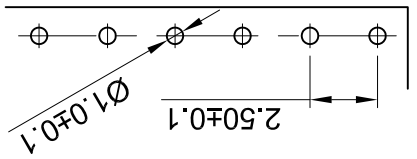
Dimensions (mm)	A	B
02	2.50	7.50
03	5.00	10.00
04	7.50	12.50
05	10.00	15.00
06	12.50	17.50
07	15.00	20.00
08	17.50	22.50
09	20.00	25.00
10	22.50	27.50
11	25.00	30.00
12	27.50	32.50
13	30.00	35.00
14	32.50	37.50
15	35.00	40.00
16	37.50	42.50
17	40.00	45.00
18	42.50	47.50
19	45.00	50.00
20	47.50	52.50

- ① Series No.**  
X8821 W R X-XX X-N0 SN XX
- ② Category:** W-WAFER
- ③ Welding Board Angle:** V-180° ; R-90°
- ④ Welding Way:** Blank-DIP ; S-SMT
- ⑤ Row No.-Pin No.:** XX-Single Row ; 2\*XX-Double Row
- ⑥ Plug the Pin & Special No.:**
- ⑦ Material:** N0 -PA66 94V-0
- ⑧ Plating Category:** G\*\*-Gold Plated Contact  
V\*\*- All Gold-Plated  
01-Gold Flash 02-2u" 03-3u"  
05-5u" 10-10u" 15-15u"  
SN-Bright Tin Plating (70-120u")  
SN-1 Bright Tin Plating (120u" Min).  
0-No Plating Material  
SW-Fog Tin Plating  
HS-Hight temperature Tin
- ⑨ Color:** Blank-Natural Color ;

- Specifications :**
- Voltage rating: 250V AC / DC
  - Current rating: 3A AC / DC
  - Withstanding voltage: 1000V AC/minute
  - Temperature range: -25°C~+85°C
  - Insulation resistance: ≥1000MΩ
  - Contact resistance: ≤10mΩ
  - After environmental testing: ≤20mΩ



Recommend PCB Layout



UNSPECIFIED TOLERANCES	±0.5	DATE		APPD		SIZE: A4
L > 63	±0.4	DATE		CHKD		UNIT: mm
16 < L ≤ 63	±0.3	DATE		DWN		VIEW:
4 < L ≤ 16	±0.2	DATE		DSND		SCALE: N/A
L ≤ 4	±0.2					
ANGULAR	±5°					

REVISION	SHEET	WEIGHT	1.0g
A0	1/1		

MODEL TYPE:	X8821WR-XX-N0SN
PART NO.:	
2.50 mm Crimp style Connector	
DWG NO.:	

DATE		DATE	
DATE		DATE	
DATE		DATE	

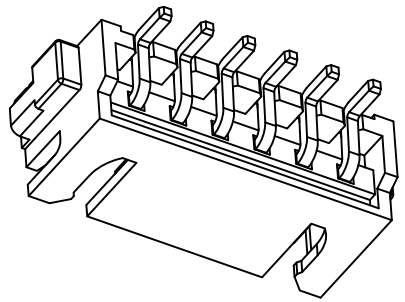
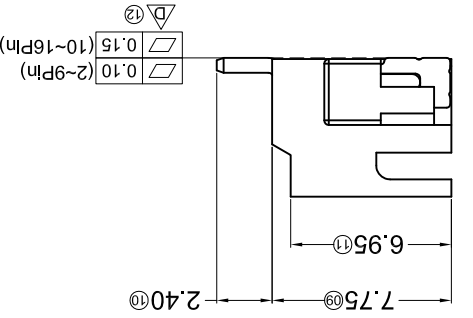
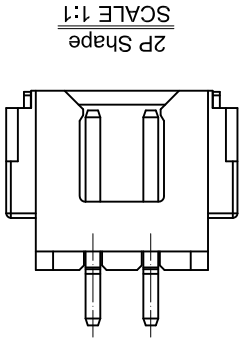
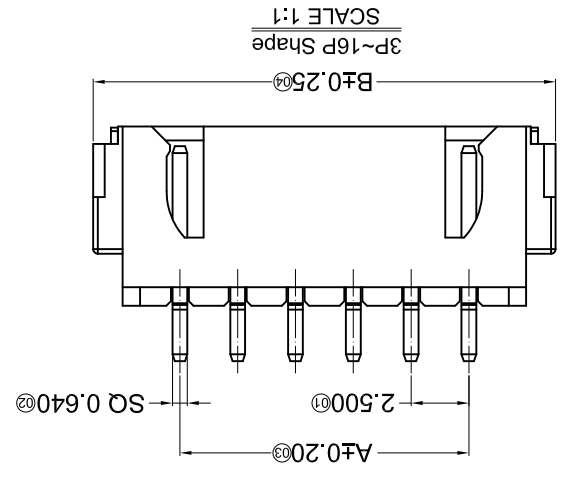
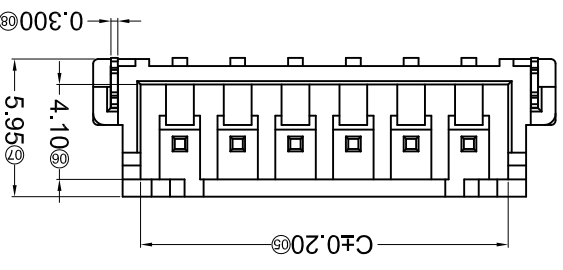
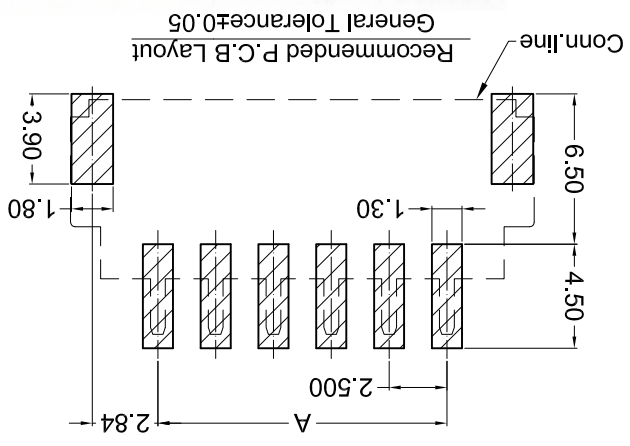
REVISION	SHEET	WEIGHT	1.0g
A0	1/1		

REVISIONS		APPROVED	REVISED	DATE	DESCRIPTION	MARK
UNSPECIFIED TOLERANCES						
±0.5	L > 63					△ X
±0.4	16 < L ≤ 63					△ X
±0.3	4 < L ≤ 16					△ X
±0.2	L ≤ 4					△ X
±5°	ANGULAR					

*For and on behalf of*  
**XKB INDUSTRIAL PRECISION CO., LIMITED**  
 香港星坤工業精密有限公司

DATE	SCALE: N/A	MODEL TYPE: X8821WRS-XX-9TXX
DATE	VIEW:	PART NO.: 2.50mm Crimp Style Connector
DATE	UNIT: mm	DWG NO.:
DATE	SIZE: A4	REVISION
DATE		WEIGHT 1.0g
DATE		SHEET 1/1
DATE		A0

**XKB INDUSTRIAL PRECISION CO., LIMITED**



PART NO	Material	Solder (Pin and Tabs)	Finish (Pin)	Finish (Solder Tabs)	Suitable XKB Terminal
X8821WRS-XX-9T01	PA 9T UL 94V-0	Brass	Tin-Plated	Tin-Plated	X8821H
X8821WRS-XX-9TXX	PA 9T UL 94V-0	Brass	Gold Flash	Tin-Plated	X8821H

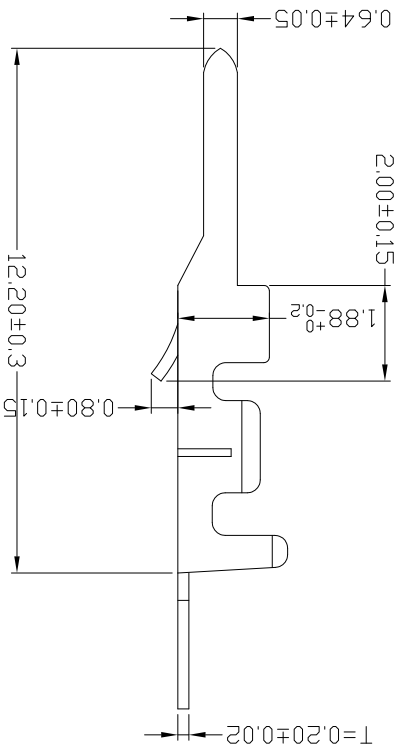
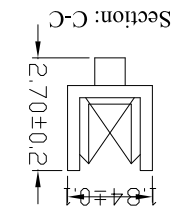
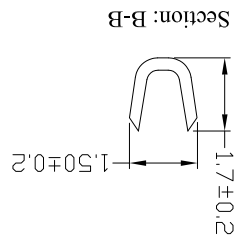
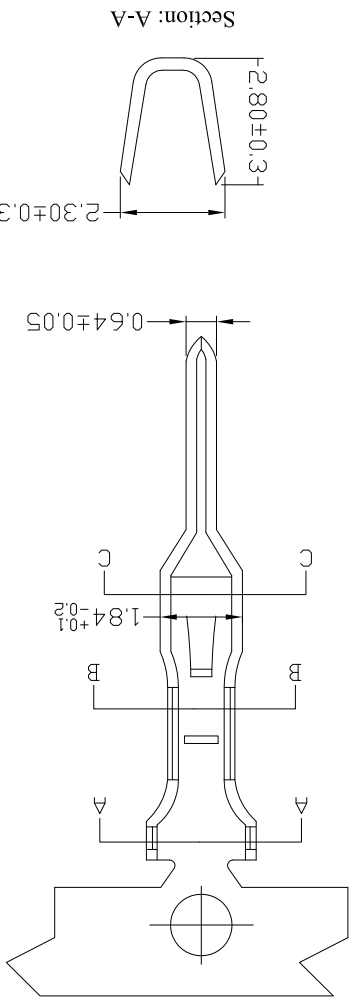
Poles	Dimensions (mm)		
	A	B	C
02	2.50	10.00	5.90
03	5.00	12.50	8.40
04	7.50	15.00	10.90
05	10.00	17.50	13.40
06	12.50	20.00	15.90
07	15.00	22.50	18.40
08	17.50	25.00	20.90
09	20.00	27.50	23.40
Poles	Dimensions (mm)		
	A	B	C
02	22.50	30.00	25.90
03	32.50	32.50	28.40
04	35.00	30.90	30.90
05	30.00	37.50	33.40
06	40.00	35.90	35.90
07	42.50	38.40	38.40
08	35.00	45.00	40.90
09	45.00	40.90	40.90

- ① Series No.
- ② Category: W-WAFER
- ③ Welding Board Angle: R-Right Angle 90°
- ④ Welding Way: S-SMT
- ⑤ Row No.-Pin No.: XX-02P~16P
- ⑥ Plug the Pin & Special No.:
- ⑦ Material: 9T -PA9T UL 94V-0
- ⑧ Plating Category: SN-Bright Tin Plating
- ⑨ Color : Blank-Natural Color

X8821 W R S-XX X-9T XX XX

- Specifications :**
- Voltage rating: 250V AC / DC
  - Current rating: 3A AC / DC
  - Withstanding voltage: 1000V AC/minute
  - Temperature range: -25°C~+85°C
  - Insulation resistance: ≥1000MΩ
  - Contact resistance: ≤10mΩ
  - After environmental testing: ≤20mΩ

PART NO	Material	Wire Range	Insulation O.D.	Finish	Suitable XKB Terminal
X8821TM-PSN	Phosphor Bronze	AWG#22-26	1.90mm(Max)	Stamping Before Plating:30-50u" Ni;70-120u"Sn	X8821HF



REVISIONS		APPROVED		REVISED		DATE	
MARK	DESCRIPTION						
△X							
△X							
△X							

**For and on behalf of**  
**XKB INDUSTRIAL PRECISION CO., LIMITED**  
 香港星坤工業精密有限公司

*Authorized Signature(s)*

DNSD	DATE	SCALE: N/A	MODEL TYPE: X8821TM-PSN
DWN	DATE	VIEW:	PART NO.: 2.50 mm Crimp Style connectors
CHKD	DATE	UNIT: mm	DWG NO.:
APPD	DATE	SIZE: A4	
UNSPECIFIED TOLERANCES		WEIGHT: 1.0g	REVISION: A0

**■ Specifications(规格):**

- Voltage rating(额定电压): 250V AC / DC
- Current rating(额定电流): 3A AC / DC
- Withstanding voltage(耐压值): 1000V AC/minute
- Temperature range(工作温度): -25°C~+85°C
- Insulation resistance(绝缘电阻): ≥1000MΩ
- Contact resistance(接触电阻): ≤10mΩ
- After environmental testing(环境测试后): ≤20mΩ

**X8821 T M-P SN X-X**

①系列  
 ②类别: T端子  
 ③外观形态: M-公端  
 ④材质: P-磷铜  
 ⑤电镀类别: G\*\*-镀金 V\*\*-镀全金  
 ⑥电镀方式: 0-素材 SW-镀雾锡 SN-镀亮锡(70-120U) SN1-镀亮锡(120U"Min.) \*10-10U" \*15-15U" \*30-30U" \*50-50U" \*01-Gold Flash \*02-2U" \*03-3U" \*05-5U"  
 ⑦型号/MARK及特殊码

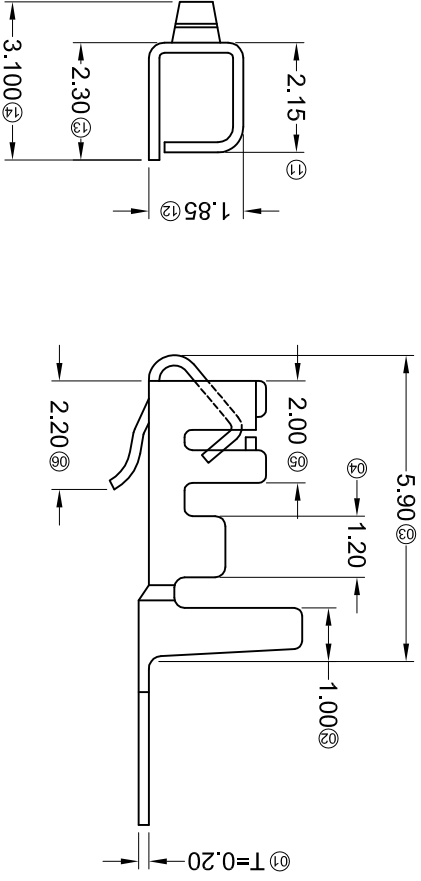
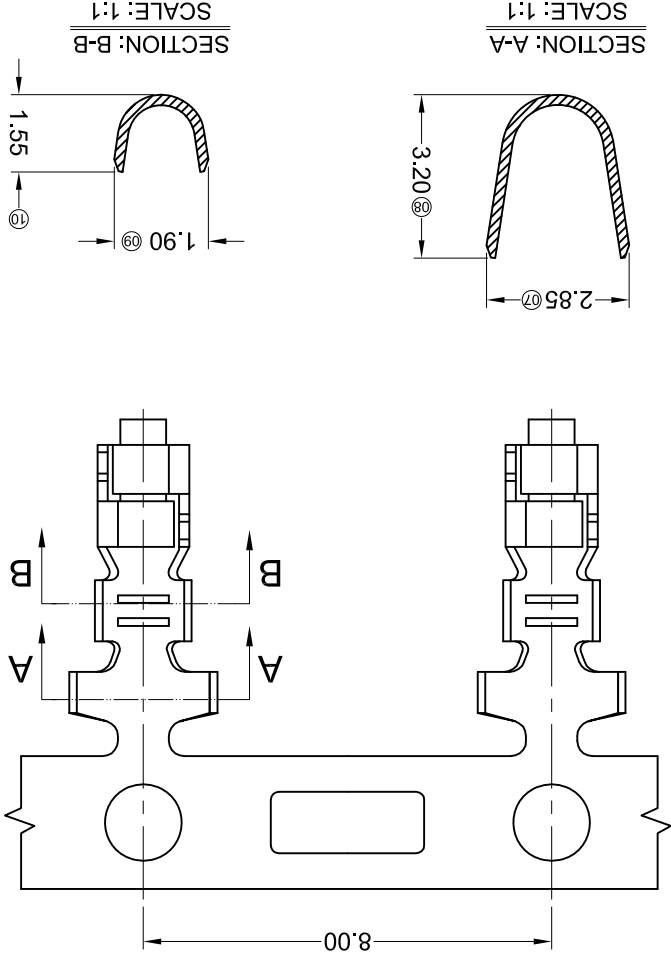
空码-先冲后镀 B-先镀后冲

For and on behalf of  
**KXB INDUSTRIAL PRECISION CO., LIMITED**  
 香港星坤工業精密有限公司

Authorized Signature(s)

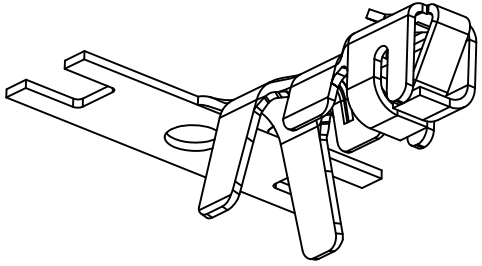
MARK	DESCRIPTION	DATE	REVISED	APPROVED	UNSPECIFIED TOLERANCES
△X					L > 63 ± 0.5
△X					16 < L ≤ 63 ± 0.4
△X					4 < L ≤ 16 ± 0.3
					L ≤ 4 ± 0.2
					ANGULAR ± 5°

REVISION	SHEET	WEIGHT	KXB INDUSTRIAL PRECISION CO., LIMITED			
A0	1/1	1.0g	DATE	DATE	DATE	DATE
			SCALE: N/A	VIEW:	PART NO.: X8821T-BSNB	MODEL TYPE: X8821T-BSNB
			UNIT: mm	2.50mm Crimp Style Connectors	DWG NO.:	
			SIZE: A4			



PART NO	MATERIAL	WIRE RANGE	INSULATION O.D.	FINISH	Suitable XKB Terminal
X8821T-BSN	Brass	AWG#22-26	1.90mm(Max)	Stamping Before Plating:100°Ni:40u"Sn	X8821H
X8821T-BSNB	Brass	AWG#22-26	1.90mm(Max)	Stamping Before Plating:100°Ni:40u"Sn	X8821H
X8821T-PSNB	Phosphor Bronze	AWG#22-26	1.90mm(Max)	Stamping Before Plating:100°Ni:40u"Sn	X8821H
X8821T-PSN	Phosphor Bronze	AWG#22-26	1.90mm(Max)	Stamping Before Plating:300°Ni:70u"Sn	X8821H

- Specifications :
- Voltage rating: 250V AC / DC
  - Current rating: 3A AC / DC
  - Withstanding voltage: 1000V AC/minute
  - Temperature range: -25°C~+85°C
  - Insulation resistance: ≥1000MΩ
  - Contact resistance: ≤10mΩ
  - After environmental testing: ≤20mΩ
- X8821 T X-B SN X - X
- ① Series Number  
 ② Category: T-terminal  
 ③ Shape: Blank-ordinary  
 ④ Material: B-Brass P-Phosphor bronze  
 ⑤ Plating style: SN-Bright tin plating  
 ⑥ Plating method: Blank-stamping before plating  
 B-Plating before stamping  
 ⑦ Mold No./Mark/Special No.



Authorized Signatures

For and on behalf of  
**KKB INDUSTRIAL PRECISION CO., LIMITED**  
 香港星坤工業精密有限公司

MARK	DESCRIPTION	DATE	REVISED	APPROVED	UNSPECIFIED TOLERANCES
△X					L > 63 ±0.5
△X					16 < L ≤ 63 ±0.4
△X					4 < L ≤ 16 ±0.3
					L ≤ 4 ±0.2
					ANGULAR ±5°

REVISION	SHEET	WEIGHT	KKB INDUSTRIAL PRECISION CO., LIMITED			
A0	1/1	1.0g	SIZE: A4	DATE	DATE	DATE
			UNIT: mm	DATE	DATE	DATE
			VIEW:	DATE	DATE	DATE
			SCALE: N/A	DATE	DATE	DATE
			MODEL TYPE: X8821H-XX-N0			
			PART NO.: X8821H-XX-N0			
			2.50mm Crimp style Connector			
			DWG NO.:			

PART NO	Material	Suitable XKB Terminal	Suitable XKB Terminal
X8821H-XX-N0	Nylon 66 UL 94V-0	X8821T	X8821W, 8821HF

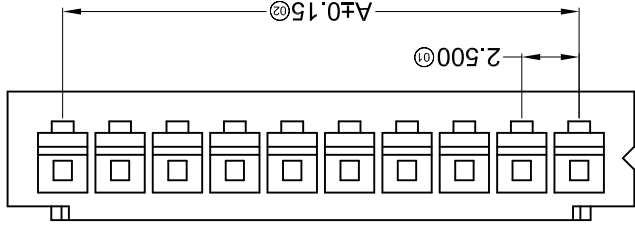
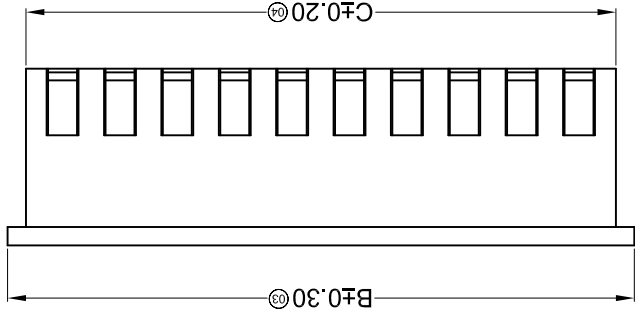
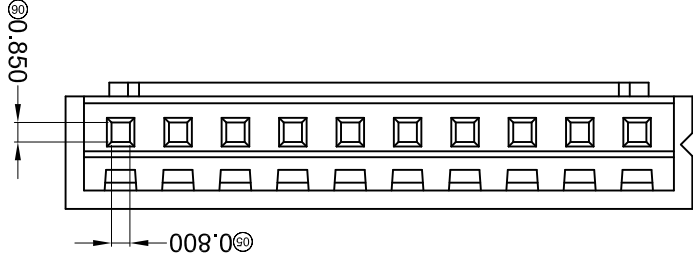
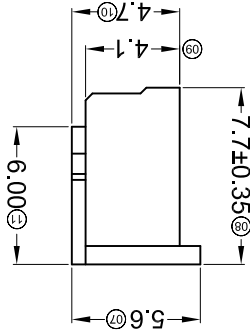
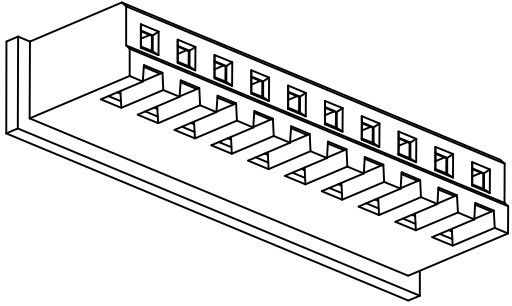
Poles	Dimensions(mm)		
	A	B	C
02	2.50	7.30	5.70
03	5.00	9.80	8.20
04	7.50	12.30	10.70
05	10.00	14.80	13.20
06	12.50	17.30	15.70
07	15.00	19.80	18.20
08	17.50	22.30	20.70
09	20.00	24.80	23.20

- ① Series No.
- ② Category: H-HSG
- ③ Appearance type: Blank-Ordinary
- ④ Row No.-Pin No.: XX-Single Row
- ⑤ Plug the Pin & Special No. Blank-Ordinary
- ⑥ Material: N0-PA66 94V-0
- ⑦ Color: Blank : Natural Color

X8821 H X-XX X-N0 XX

- Voltage rating: 250V AC / DC
- Current rating: 3A AC / DC
- Withstanding voltage: 1000V AC/minute
- Temperature range: -25°C~+85°C
- Insulation resistance: ≥1000MΩ
- Contact resistance: ≤10mΩ
- After environmental testing: ≤20mΩ

■ Specifications :

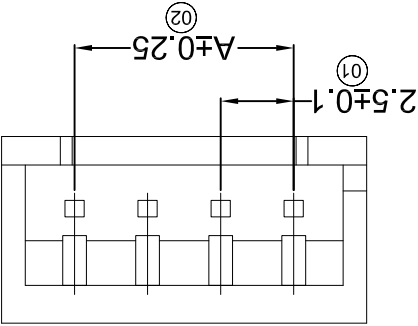
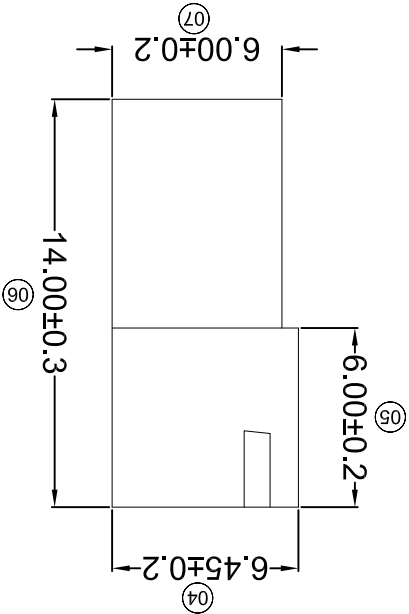
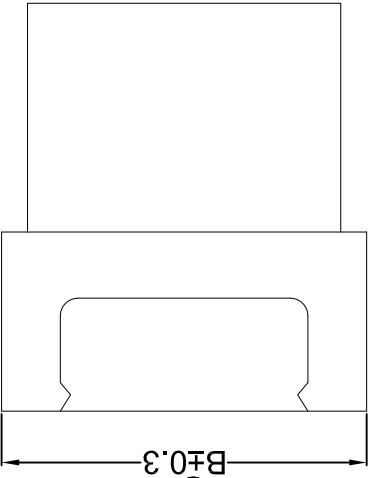


For and on behalf of  
**XKB INDUSTRIAL PRECISION CO., LIMITED**  
 香港星坤工業精密有限公司

Revisions Authorized Signatures(s)

MARK	DESCRIPTION	DATE	REVISED	APPROVED	UNSPECIFIED TOLERANCES
△X					ANGULAR ±5°
△X					1 ≤ L ±0.2
△X					4 < L ≤ 16 ±0.3
△X					16 < L ≤ 63 ±0.4
					L > 63 ±0.5

DSND	DATE	SCALE: N/A	MODEL TYPE: X8821HF-XX-N0
DWN	DATE <td>VIEW: </td> <td>PART NO.: 2.50 mm Crimp style Connector</td>	VIEW:	PART NO.: 2.50 mm Crimp style Connector
CHKD	DATE <td>UNIT: mm</td> <td>DWG NO.:</td>	UNIT: mm	DWG NO.:
APPD	DATE <td>SIZE: A4</td> <td>WEIGHT 1.0g</td>	SIZE: A4	WEIGHT 1.0g
			SHEET 1/1
			REVISION A0



**X8821 H F-XX X-N0 XX**

- ① Series No.
- ② Category: H-HSG
- ③ Appearance type: F-Female
- ④ Row No.-Pin No.: XX-Single Row
- ⑤ Plug the Pin & Special No. Blank-Ordinary
- ⑥ Material : NO-PA66 94V-0
- ⑦ Color: Blank : Natural Color

Poles	Dimensions (mm)	
	A	B
02	2.50	7.50
03	5.00	10.00
04	7.50	12.50
05	10.00	15.00
06	12.50	17.50
07	15.00	20.00
08	17.50	22.50
09	20.00	25.00
10	22.50	27.50
11	25.00	30.00
12	27.50	32.50
13	30.00	35.00
14	32.50	37.50
15	35.00	40.00
16	37.50	42.50
17	40.00	45.00
18	42.50	47.50
19	45.00	50.00
20	47.50	52.50

PART NO	Material	Suitable XKB Terminal	Suitable XKB Terminal
X8821HF-XX-N0	Nylon 66 UL 94V-0	X8821TM	X8821W、8821H

- Specifications :**
- Voltage rating: 250V AC / DC
  - Current rating: 3A AC / DC
  - Withstanding voltage: 1000V AC/minute
  - Temperature range: -25°C~+85°C
  - Insulation resistance: ≥1000MΩ
  - Contact resistance: ≤10mΩ
  - After environmental testing : ≤20mΩ

## X-ON Electronics

Largest Supplier of Electrical and Electronic Components

*Click to view similar products for [Headers & Wire Housings](#) category:*

*Click to view products by [XKB](#) manufacturer:*

Other Similar products are found below :

[95000-104TRLF](#) [10135584-644402LF](#) [DF62W-EP2022PCA](#) [95000-106TRLF](#) [DF62W-2022SCA](#) [DF62W-EP2022PC](#) [2203348](#) [DF62W-2022SC](#) [1084018](#) [1029039](#) [1084017](#) [802-10-012-10-002000](#) [1112640](#) [1112639](#) [891-007-9SS-BST1T](#) [000-34000](#) [0008550134](#) [0009482033](#) [0009507031](#) [57102-F02-18ULF](#) [57102-S06-03LF](#) [57202-S52-04LF](#) [PCN6-15S-2.5E](#) [0039019024](#) [58102-G61-06LF](#) [582553-1](#) [0009485154](#) [0009508121](#) [0022285053](#) [0050291907](#) [018731A](#) [LY20-4P-DT1-P1E-BR](#) [02.125.8002.8](#) [60101931](#) [60598-1 \(Cut Strip\)](#) [M1625-3R/100](#) [61062-3](#) [61082-181009](#) [CSU011177004](#) [636-1427](#) [638009-1](#) [641938-9](#) [641991-4](#) [644168-1](#) [644827-2](#) [647662-1](#) [65039-019ELF](#) [65692-001LF](#) [65781-018](#) [65781-047](#)