

*For and on behalf of*  
**XKB INDUSTRIAL PRECISION CO., LIMITED**  
 香港星坤工業精密有限公司

*Unauthorized Signature(s)*

MARK	DESCRIPTION	DATE	REVISED	APPROVED	UNSPECIFIED TOLERANCES
△X					L > 63 ±0.5
△X					16 > L ≤ 63 ±0.4
△X					4 > L ≤ 16 ±0.3
△X					L ≤ 4 ±0.2
					ANGULAR ±5°

REVISION	SHEET	WEIGHT	SCALE: N/A	DATE	DNSD
A0	1/1	1.0g			

SIZE: A4	DATE	APPD

UNIT: mm	DATE	CHKD

VIEW:	DATE	DWN

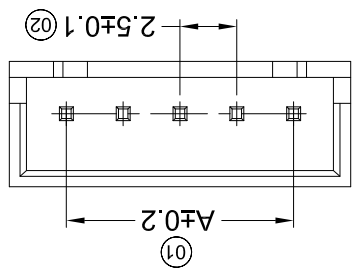
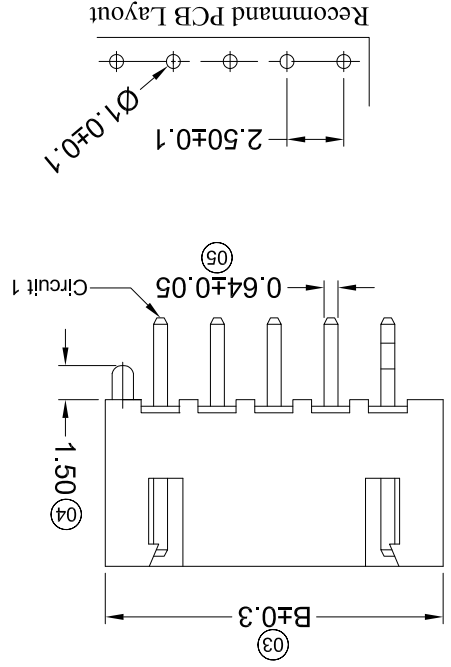
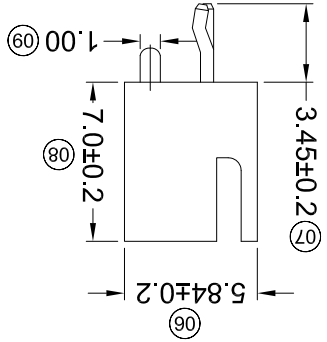
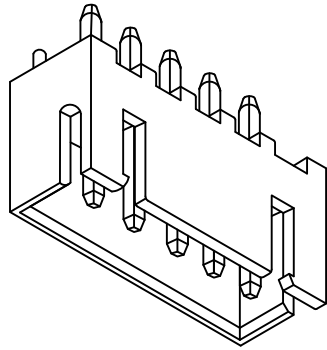
PART NO.:	DATE	DATE

MODEL TYPE:	SCALE: N/A	DATE
X8821WV-XXKS-N0SN		

PART NO	Material	Material(Pin)	Finish(Pin)	Suitable XKB Terminal
X8821WV-XXKS-N0SN	Nylon 66 UL 94V-0	Brass	Tin-Plated	X8821H

Dimensions (mm)	A	B
02	2.50	7.50
03	5.00	10.00
04	7.50	12.50
05	10.00	15.00
06	12.50	17.50
07	15.00	20.00
08	17.50	22.50
09	20.00	25.00
10	22.50	27.50
11	25.00	30.00
12	27.50	32.50
13	30.00	35.00
14	32.50	37.50
15	35.00	40.00
16	37.50	42.50
17	40.00	45.00
18	42.50	47.50
19	45.00	50.00
20	47.50	52.50

- ① Series No. X8821 W V X-XX KS -N0 SN XX
- ② Category: W-WAFER
- ③ Welding Board Angle: V-180° ; R-90°
- ④ Welding Way: Blank-DIP ; S-SMT
- ⑤ Row No.-Pin No.: XX-Single Row ; 2\*XX-Double Row
- ⑥ Plug the Pin & Special No.: Blank-Without Kink ; K-With Kink
- ⑦ Material: N0 -PA66 94V-0  
S-With Post
- ⑧ Plating Category: G\*\*-Gold Plated Contact  
V\*\*- All Gold-Plated  
01-Gold Flash 02-2u" 03-3u"  
05-5u" 10-10u" 15-15u"  
SN-Bright Tin Plating (70u")  
SN1-Bright Tin Plating (120u" Min).  
0-No Plating Material  
SW- Fog Tin Plating  
HS-Hight temperature Tin
- ⑨ Color : Blank-Natural Color ;



- Specifications :
- Voltage rating: 250V AC / DC
  - Current rating: 3A AC / DC
  - Withstanding voltage: 1000V AC/minute
  - Temperature range: -25°C~+85°C
  - Insulation resistance: ≥1000MΩ
  - Contact resistance: ≤10mΩ
  - After environmental testing: ≤20mΩ

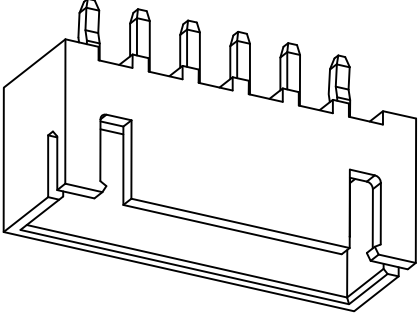
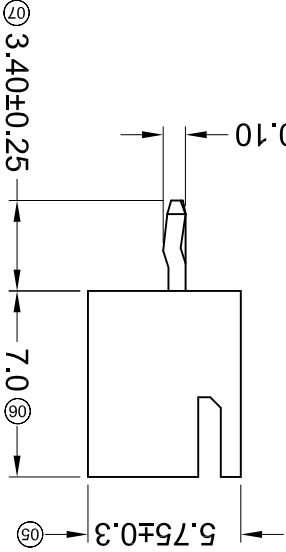
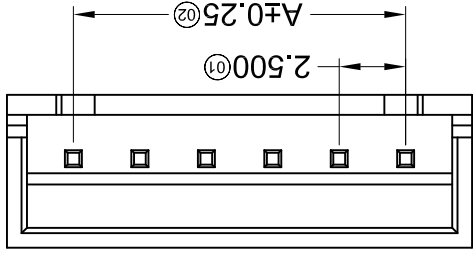
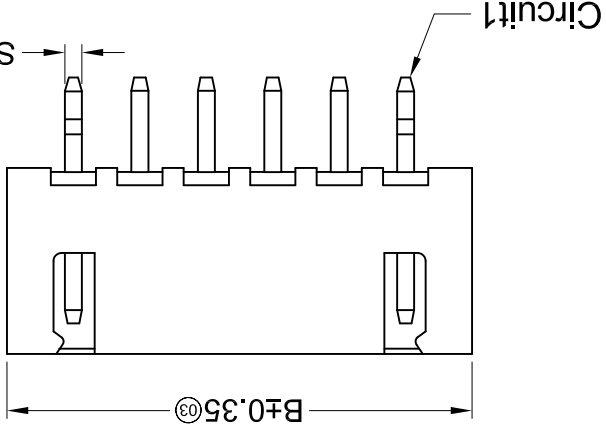
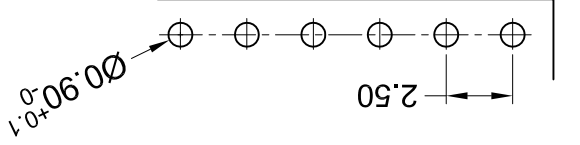
For and on behalf of  
**XKB INDUSTRIAL PRECISION CO., LIMITED**  
 香港星坤工業精密有限公司

REVISIONS  
 Authorized Signature(s)

MARK	DESCRIPTION	DATE	REVISED	APPROVED	UNSPECIFIED TOLERANCES
△X					L > 63 ±0.5
△X					16 > L ≤ 63 ±0.4
△X					4 < L ≤ 16 ±0.3
					L ≤ 4 ±0.2
					ANGULAR ±5°

DATE	SCALE: N/A	MODEL TYPE:
DNSD		X8821WV-XXK-N0SN
DWN		PART NO.:
CHKD		VIEW:
APPD		UNIT: mm
		SIZE: A4
		DWG NO.:
		2.50mm Crimp Style Connector
		WEIGHT 1.0g
		SHEET 1/1
		REVISION A0

Recommended P.C.B Layout  
 General Tolerance±0.05



PART NO	Material	Material(Pin)	Finish(Pin)	Suitable XKB Terminal
X8821WV-XXK-N0SN	Nylon 66 UL 94V-0	Brass	Tin-Plated	X8821H

Poles	Dimensions(mm)	
	A	B
02	2.50	7.50
03	5.00	10.00
04	7.50	12.50
05	10.00	15.00
06	12.50	17.50
07	15.00	20.00
08	17.50	22.50
09	20.00	25.00
10	22.50	27.50
11	25.00	30.00

- ① Series No.  
 ② Category: W-WAFER  
 ③ Welding Board Angle: V-Stringht 180°  
 ④ Welding Way: Blank-DIP;  
 ⑤ Row No.-Pin No.: XX-Single Row;  
 ⑥ Plug the Pin & Special No.: K-KINK  
 ⑦ Material: NO -PA66 94V-0  
 ⑧ Plating Category: SN-Bright Tin Plating  
 ⑨ Color: Blank-Natural Color
- X8821 W V X-XX K-N0 SN XX  
 ① ② ③ ④ ⑤ ⑥ ⑦ ⑧ ⑨

- Specifications:
- Voltage rating: 250V AC / DC
  - Current rating: 3A AC / DC
  - Withstanding voltage: 1000V AC/minute
  - Temperature range: -25°C~+85°C
  - Insulation resistance: ≥1000MΩ
  - Contact resistance: ≤10mΩ
  - After environmental testing: ≤20mΩ

For and on behalf of  
**XKB INDUSTRIAL PRECISION CO., LIMITED**  
 香港星坤工業精密有限公司

REVISIONS  
 (Unauthorized Signatures)

MARK	DESCRIPTION	DATE	REVISED	APPROVED	UNSPECIFIED TOLERANCES
△X					L > 63 ±0.5
△X					16 > L ≤ 63 ±0.4
△X					4 < L ≤ 16 ±0.3
					L ≤ 4 ±0.2
					ANGULAR ±5°

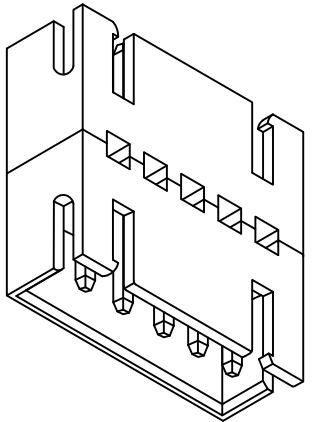
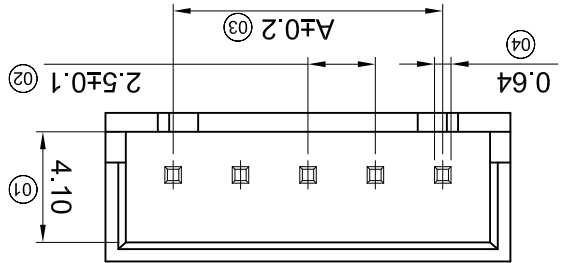
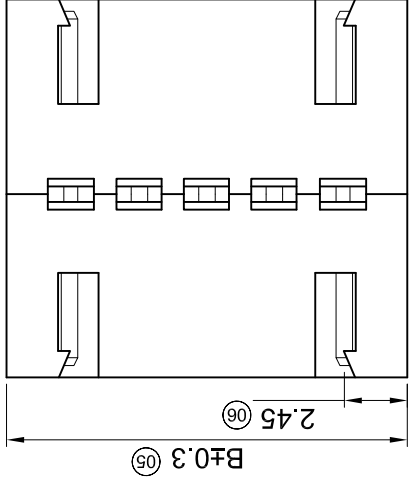
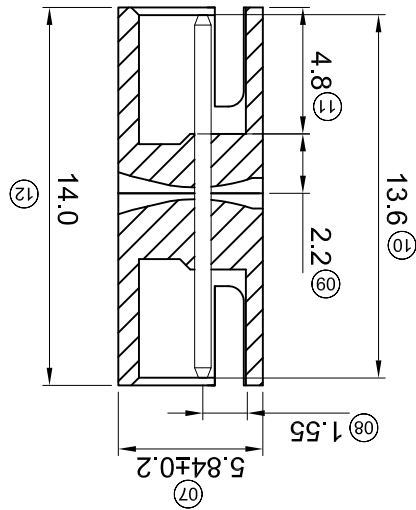
REVISION	SHEET	WEIGHT	SCALE: N/A	DATE	DNSD	DATE	DWN	DATE	CHKD	DATE	APPD	SIZE: A4
A0	1/1	1.0g										

**XKB INDUSTRIAL PRECISION CO., LIMITED**

PART NO	Material	Material(Pin)	Finish(Pin)	Suitable XKB Terminal
X8821WV-XXHX2-N0SN	Nylon 66 UL 94V-0	Brass	Tin-Plated	X8821H

Dimensions (mm)	A	B
02	2.50	7.50
03	5.00	10.00
04	7.50	12.50
05	10.00	15.00
06	12.50	17.50
07	15.00	20.00
08	17.50	22.50
09	20.00	25.00
10	22.50	27.50
11	25.00	30.00
12	27.50	32.50
13	30.00	35.00
14	32.50	37.50
15	35.00	40.00
16	37.50	42.50
17	40.00	45.00
18	42.50	47.50
19	45.00	50.00
20	47.50	52.50

- ① Series No. X8821 W V X-XX H2 -N0 XX XX
- ② Category: W-WAFER
- ③ Welding Board Angle: V-180° ; R-90°
- ④ Welding Way: Blank-DIP ; S-SMT
- ⑤ Row No.-Pin No.: XX-Single Row ; 2\*XX-Double Row
- ⑥ Plug the Pin & Special No.: H2-Double-Faced Wafer
- ⑦ Material: N0 -PA66 94V-0
- ⑧ Plating Category: G\*\*-Gold Plated Contact
- V\*\*- All Gold-Plated
- 01-Gold Flash 02-2u" 03-3u"
- 05-5u" 10-10u" 15-15u"
- SN-Bright Tin Plating (70u")
- SN1-Bright Tin Plating (120u" Min).
- 0-No Plating Material
- SW-Fog Tin Plating
- HS-Hight temperature Tin
- ⑨ Color : Blank-Natural Color ;



- Specifications :**
- Voltage rating: 250V AC / DC
  - Current rating: 3A AC / DC
  - Withstanding voltage: 1000V AC/minute
  - Temperature range: -25°C~+85°C
  - Insulation resistance: ≥1000MΩ
  - Contact resistance: ≤10mΩ
  - After environmental testing: ≤20mΩ

REVISIONS		UNSPECIFIED TOLERANCES	
MARK	DESCRIPTION	DATE	APPROVED
△ X			
△ X			
△ X			

For and on behalf of  
**XKB INDUSTRIAL PRECISION CO., LIMITED**  
 香港星坤工業精密有限公司

DNSD	DATE	SCALE: N/A	MODEL TYPE: X8821WV-XX-N0XX
DWN	DATE	VIEW:	PART NO.: 2.50 mm Crimp style Connector
CHKD	DATE	UNIT: mm	DWG NO.:
APPD	DATE	SIZE: A4	WEIGHT 1.0g
			SHEET 1/1
			REVISION A0

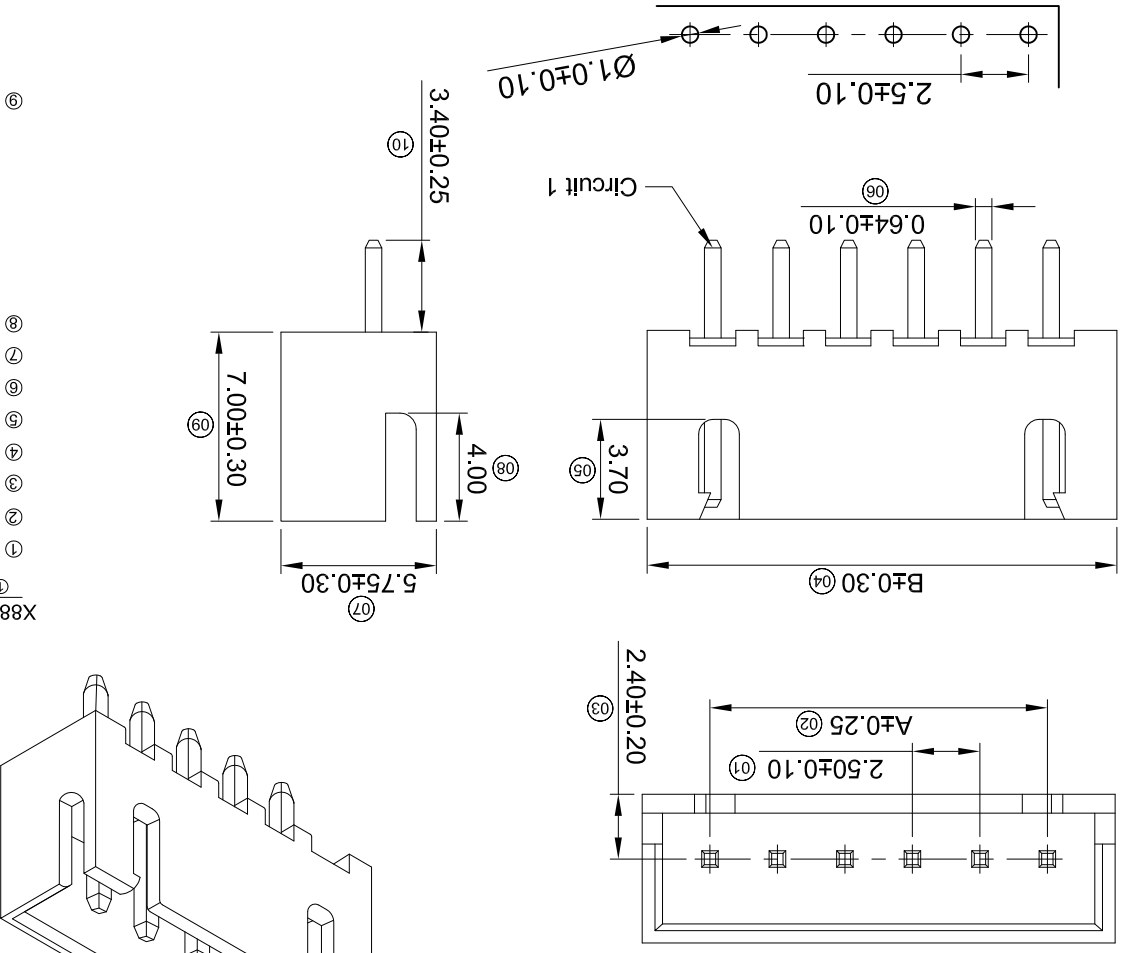
**XKB INDUSTRIAL PRECISION CO., LIMITED**

PART NO	Material	Material(Fin)	Finish(Fin)	Suitable XKB Terminal
X8821WV-XX-N0V01	Nylon 66 UL 94V-0	Brass	Gold-Flash	
X8821WV-XX-N0SN	Nylon 66 UL 94V-0	Brass	Th-Plated	

Poles	A	B
Dimensions (mm)	2.50	7.50
	5.00	10.00
	7.50	12.50
	10.00	15.00
	12.50	17.50
	15.00	20.00
	17.50	22.50
	20.00	25.00
	22.50	27.50
	25.00	30.00
	30.00	32.50
	35.00	35.00
	37.50	37.50
	40.00	40.00
	42.50	42.50
	45.00	45.00
	47.50	47.50
	50.00	50.00
	52.50	52.50

- X8821 W V X-XX X -N0 XX XX**
- ① Series No.
  - ② Category: W-WAFER
  - ③ Welding Board Angle: V-180° ; R-90°
  - ④ Welding Way: Blank-DIP ; S-SMT
  - ⑤ Row No.-Pin No.: XX-Single Row ; 2\*XX-Double Row
  - ⑥ Plug the Pin & Special No.:
  - ⑦ Material: N0 -PA66 94V-0
  - ⑧ Plating Category: G\*\*-Gold Plated Contact
  - ⑨ V\*\*- All Gold-Plated
  - ⑩ 01-Gold flash 02-2u" 03-3u"
  - ⑪ 05-5u" 10-10u" 15-15u"
  - ⑫ SN-Bright Tin Plating (70u")
  - ⑬ SN-1-Bright Tin Plating (120u" Min).
  - ⑭ 0-No Plating Material
  - ⑮ SW-Fog Tin Plating
  - ⑯ HS-Hight temperature Tin
  - ⑰ Color : Blank-Natural Color ;

**Recommend PCB Layout**



- Specifications :**
- Voltage rating: 250V AC / DC
  - Current rating: 3A AC / DC
  - Withstanding voltage: 1000V AC/minute
  - Temperature range: -25°C~+85°C
  - Insulation resistance: ≥1000MΩ
  - Contact resistance: ≤10mΩ
  - After environmental testing: ≤20mΩ

REVISIONS		APPROVED		REVISED		DATE	
MARK	DESCRIPTION						
△X							
△X							
△X							

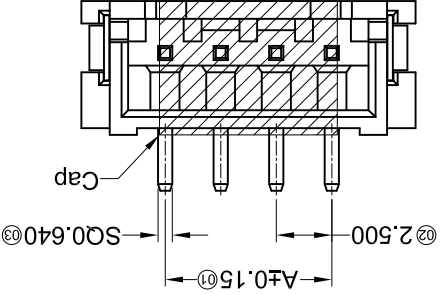
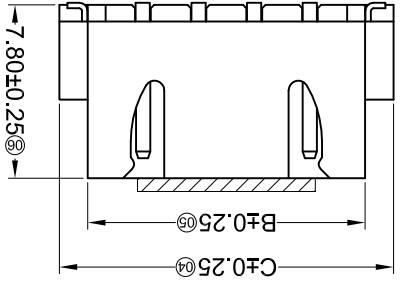
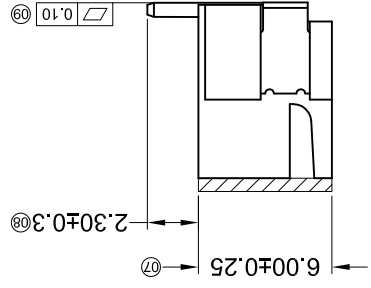
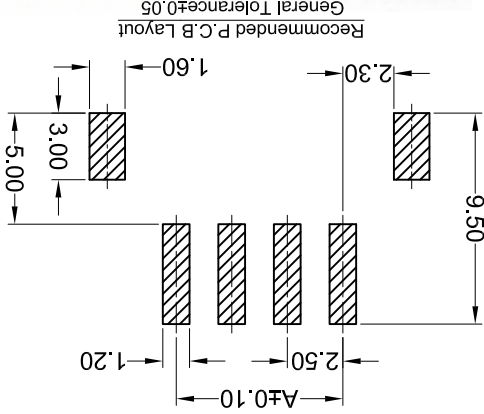
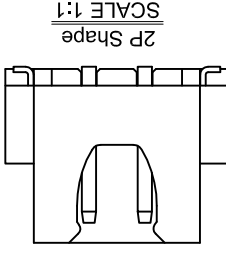
**For and on behalf of**  
**XKB INDUSTRIAL PRECISION CO., LIMITED**  
 香港星坤工業精密有限公司

*Unauthorized Signature(s)*

DSND	DATE	SCALE: N/A	MODEL TYPE: X8821WVS-XX-9TSN
DWN	DATE	VIEW:	PART NO.:
CHKD	DATE	UNIT: mm	2.50mm Crimp Style Connectors
APPD	DATE	SIZE: A4	DWG NO.:
UNSPECIFIED TOLERANCES		WEIGHT	REVISION
±0.5	L > 63	1.0g	1/1
±0.4	16 < L ≤ 63		
±0.3	4 < L ≤ 16		
±0.2	L ≤ 4		
±5°	ANGULAR		

PART NO	Material	Material (Fin)	Finish (Fin)	Material (Fin)	Material (Fin)	Material (Fin)	Material (Fin)
X8821WVS-XX-9TSN	PA9T UL 94V-0	Brass	Tin-plated	Phosphore Bronze	Tin-plated	Finish (Solder Tabs)	Suitable XKB Terminal
X8821H							

Poles	Dimensions(mm)			Poles	Dimensions(mm)		
	A	B	C		A	B	C
02	2.50	7.45	10.00	10	22.50	27.45	30.00
03	5.00	9.95	12.50	11	25.00	29.95	32.50
04	7.50	12.45	15.00	12	27.50	32.45	35.00
05	10.00	14.95	17.50	13	30.00	34.95	37.50
06	12.50	17.45	20.00	14	32.50	37.45	40.00
07	15.00	19.95	22.50	15	35.00	39.95	42.50
08	17.50	22.45	25.00	16	37.50	42.45	45.00
09	20.00	24.95	27.50				



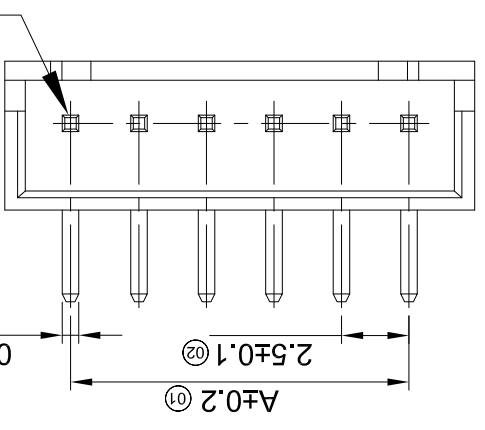
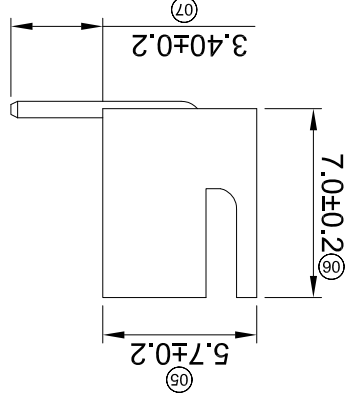
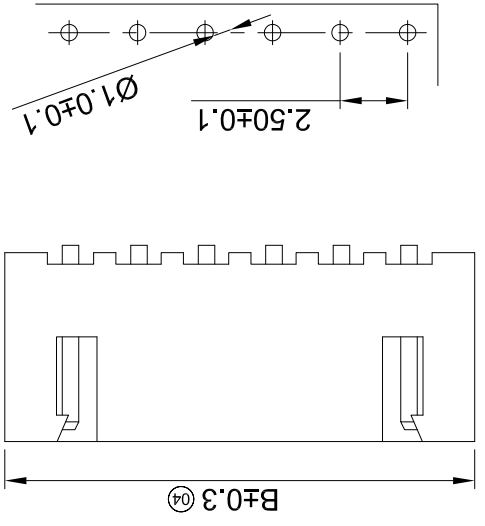
- Specifications :**
- Voltage rating: 250V AC / DC
  - Current rating: 3A AC / DC
  - Withstanding voltage: 1000V AC/minute
  - Temperature range: -25°C~+85°C
  - Insulation resistance: ≥1000MΩ
  - Contact resistance: ≤10mΩ
  - After environmental testing: ≤20mΩ
- ① Series No.  
 ② Category: W-WAFER  
 ③ Welding Board Angle: V-180°  
 ④ Welding Way: S-SMT  
 ⑤ Row No.-Pin No.: XX-Single Row  
 ⑥ Plug the Pin & Special No.:  
 ⑦ Material: 9T -PA9T 94V-0  
 ⑧ Plating Category: SN-Bright Tin Plating  
 ⑨ Color: Blank-Natural Color
- X8821 W V S-XX X-9T SN XX  
 ① ② ③ ④ ⑤ ⑥ ⑦ ⑧ ⑨

For and on behalf of  
**KXB INDUSTRIAL PRECISION CO., LIMITED**  
 香港星坤工業精密有限公司

MARK	DESCRIPTION	DATE	REVISED	APPROVED	UNSPECIFIED TOLERANCES
△X					L > 63
△X					16 < L ≤ 63
△X					4 < L ≤ 16
					L ≤ 4
					ANGULAR
					± 0.2
					± 0.5

REVISION	SHEET	WEIGHT	DATE	DATE	DATE	DATE	DATE
A0	1/1	1.0g					

**Recommend PCB Layout**



PART NO	Material	Material(Pin)	Finish(Pin)	Suitable XKB Terminal
X8821WR-XXS-N0SN	Nylon 66 UL 94V-0	Brass	Tin-Plated	X8821H

Dimensions (mm)	A	B
02	2.50	7.50
03	5.00	10.00
04	7.50	12.50
05	10.00	15.00
06	12.50	17.50
07	15.00	20.00
08	17.50	22.50
09	20.00	25.00
10	22.50	27.50
11	25.00	30.00
12	27.50	32.50
13	30.00	35.00
14	32.50	37.50
15	35.00	40.00
16	37.50	42.50
17	40.00	45.00
18	42.50	47.50
19	45.00	50.00
20	47.50	52.50

- ① Series No.**  
 X8821 W R X-XX S-N0 SN XX
- ② Category:** W-WAFER
- ③ Welding Board Angle:** V-180° ; R-90°
- ④ Welding Way:** Blank-DIP ; S-SMT
- ⑤ Row No.-Pin No.:** XX-Single Row ; 2\*XX-Double Row
- ⑥ Plug the Pin & Special No.:** S-No Positioning
- ⑦ Material:** N0 -PA66 94V-0
- ⑧ Plating Category:** G\*\*-Gold Plated Contact  
 V\*\*- All Gold-Plated  
 01-1u" 02-2u" 03-3u"  
 05-5u" 10-10u" 15-15u"  
 SN-Bright Tin Plating (70u")  
 SN1-Bright Tin Plating (120u" Min).  
 0-No Plating Material  
 SW-Fog Tin Plating  
 HS-Hight temperature Tin
- ⑨ Color:** Blank-Natural Color ;

- Specifications :**
- Voltage rating: 250V AC / DC
  - Current rating: 3A AC / DC
  - Withstanding voltage: 1000V AC/minute
  - Temperature range: -25°C~+85°C
  - Insulation resistance: ≥1000MΩ
  - Contact resistance: ≤10mΩ
  - After environmental testing: ≤20mΩ

For and on behalf of  
**KXB INDUSTRIAL PRECISION CO., LIMITED**  
 香港星坤工業精密有限公司

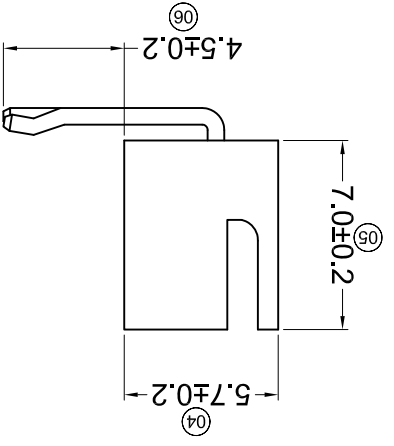
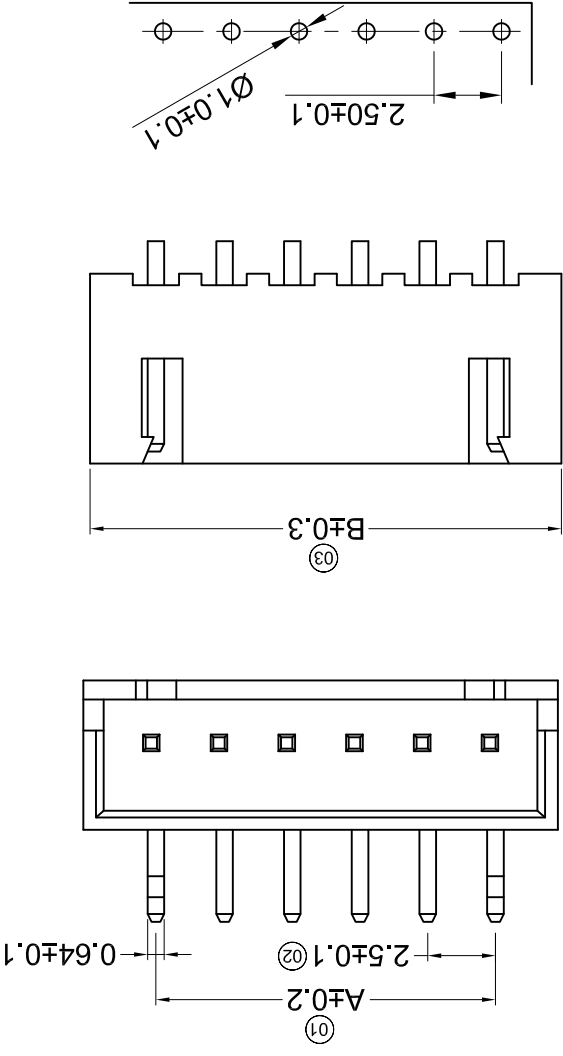
Revisions (Authorized Signatures)

MARK	DESCRIPTION	DATE	REVISED	APPROVED	UNSPECIFIED TOLERANCES
△ X					L > 63 ± 0.5
△ X					16 < L ≤ 63 ± 0.4
△ X					4 < L ≤ 16 ± 0.3
△ X					L ≤ 4 ± 0.2
					ANGULAR ± 5°

DATE	DNSD	DATE	DWN	DATE	CHKD	DATE	APPD

MODEL TYPE:	X8821WR-XXKS-N0SN
SCALE: N/A	
VIEW:	
UNIT: mm	
SIZE: A4	
WEIGHT	1.0g
SHEET	1/1
REVISION	A0

Recommend PCB Layout



PART NO	Material	Material(Pin)	Finish(Pin)	Suitable XKB Terminal
X8821WR-XXKS-N0SN	Nylon 66 UL 94V-0	Brass	Tin-Plated	X8821H

Dimensions (mm)	A	B
02	2.50	7.50
03	5.00	10.00
04	7.50	12.50
05	10.00	15.00
06	12.50	17.50
07	15.00	20.00
08	17.50	22.50
09	20.00	25.00
10	22.50	27.50
11	25.00	30.00
12	27.50	32.50
13	30.00	35.00
14	32.50	37.50
15	35.00	40.00
16	37.50	42.50
17	40.00	45.00
18	42.50	47.50
19	45.00	50.00
20	47.50	52.50

- X8821 W R X-XX KS -N0 SN XX
- ① Series No.
  - ② Category : W-WAFER
  - ③ Welding Board Angle : V-180° ; R-90°
  - ④ Welding Way : Blank-DIP ; S-SMT
  - ⑤ Row No.-Pin No. : XX-Single Row ; 2\*XX-Double Row
  - ⑥ Plug the Pin & Special No. : KS- With Kink and No Positioning
  - ⑦ Material: N0 -PA66 94V-0
  - ⑧ Plating Category: G\*-Gold Plated Contact
  - ⑨ V\*- All Gold-Plated
  - ⑩ 01-Gold Flash 02-2u" 03-3u"
  - ⑪ 05-5u" 10-10u" 15-15u"
  - ⑫ SN-Bright Tin Plating (70u")
  - ⑬ SN1-Bright Tin Plating (120u" Min).
  - ⑭ 0-No Plating Material
  - ⑮ SW- Fog Tin Plating
  - ⑯ HS-Hight temperature Tin
  - ⑰ Color : Blank-Natural Color ;

- Specifications :
- Voltage rating: 250V AC / DC
  - Current rating: 3A AC / DC
  - Withstanding voltage: 1000V AC/minute
  - Temperature range: -25°C~+85°C
  - Insulation resistance: ≥1000MΩ
  - Contact resistance: ≤10mΩ
  - After environmental testing: ≤20mΩ





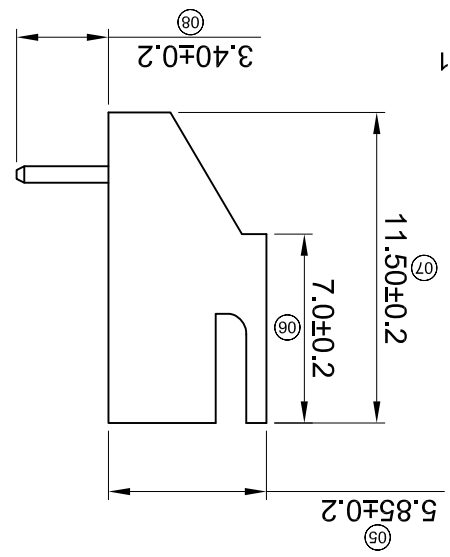
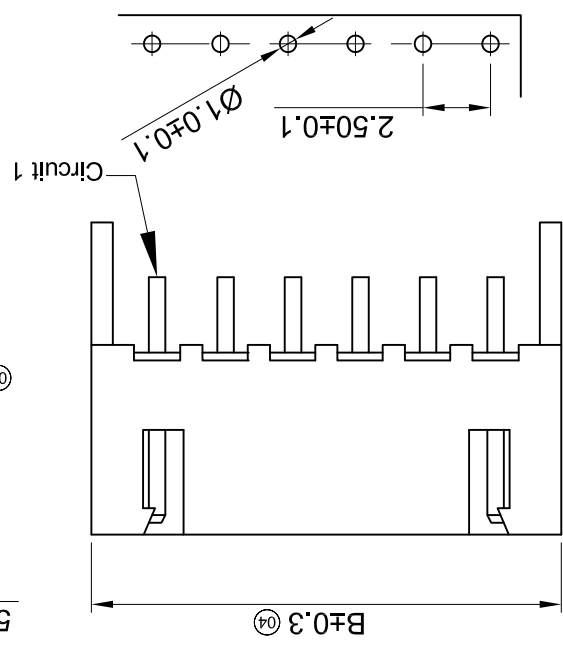
REVISIONS		APPROVED		REVISED		DATE	
MARK	DESCRIPTION						
△X							
△X							
△X							

香港星坤工業精密有限公司  
 KKB INDUSTRIAL PRECISION CO., LIMITED  
 For and on behalf of

DNSD	DATE	SCALE: N/A	MODEL TYPE: X8821WR-XX-N0SN
DWN	DATE	VIEW:	PART NO.: 2.50 mm Crimp style Connector
CHKD	DATE	UNIT: mm	DWG NO.:
APPD	DATE	SIZE: A4	

WEIGHT	1.0g
SHEET	1/1
REVISION	A0

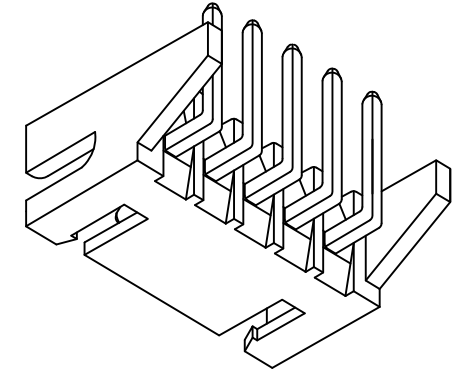
Recommend PCB Layout



PART NO	Material	Material(Pin)	Finish(Pin)	Suitable KXB Terminal
X8821WR-XX-N0SN	Nylon 66 UL 94V-0	Brass	Tin-Plated	X8821H

Dimensions (mm)	A	B
Poles	02	02
	03	03
	04	04
	05	05
	06	06
	07	07
	08	08
	09	09
	10	10
	11	11
	12	12
	13	13
	14	14
	15	15
	16	16
	17	17
	18	18
	19	19
	20	20
	47.50	47.50
	50.00	50.00
	52.50	52.50

- X8821 W R X-XX X-N0 SN XX
- ① Series No.
  - ② Category: W-WAFER
  - ③ Welding Board Angle: V-180° ; R-90°
  - ④ Welding Way: Blank-DIP ; S-SMT
  - ⑤ Row No.-Pin No.: XX-Single Row ; 2\*XX-Double Row
  - ⑥ Plug the Pin & Special No.:
  - ⑦ Material: N0 -PA66 94V-0
  - ⑧ Plating Category: G\*\*-Gold Plated Contact
  - ⑨ V\*\*- All Gold-Plated
  - 01-Gold Flash 02-2u" 03-3u"
  - 05-5u" 10-10u" 15-15u"
  - SN-Bright Tin Plating (70-120u")
  - SN-1 Bright Tin Plating (120u" Min).
  - 0-No Plating Material
  - SW-Fog Tin Plating
  - HS-Hight temperature Tin
  - ⑩ Color : Blank-Natural Color ;



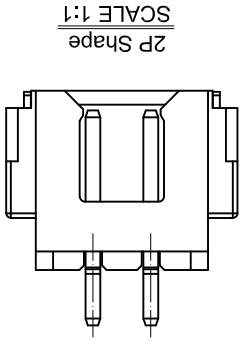
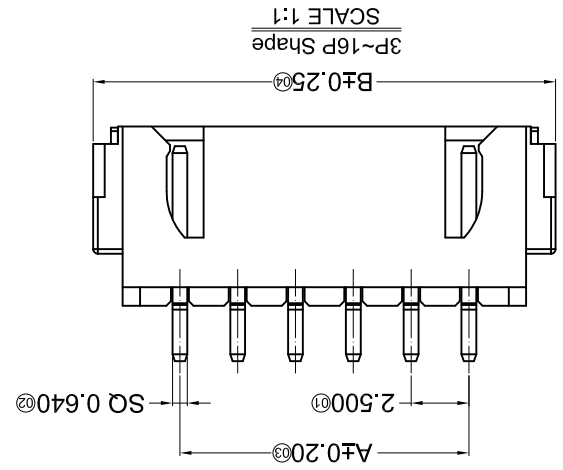
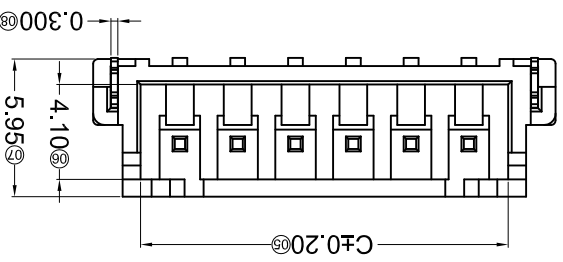
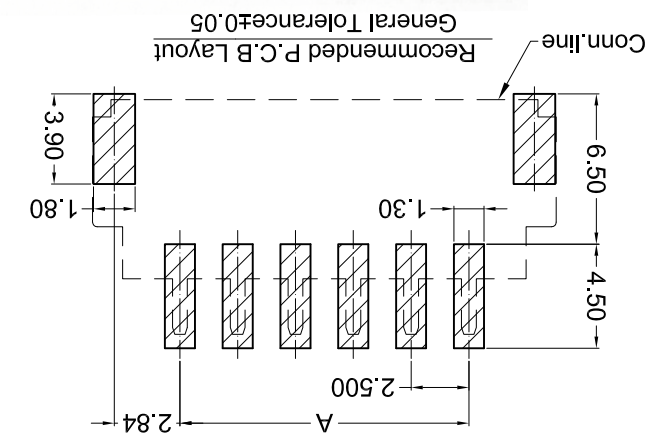
- Specifications :
- Voltage rating: 250V AC / DC
  - Current rating: 3A AC / DC
  - Withstanding voltage: 1000V AC/minute
  - Temperature range: -25°C~+85°C
  - Insulation resistance: ≥1000MΩ
  - Contact resistance: ≤10mΩ
  - After environmental testing: ≤20mΩ

For and on behalf of  
**XKB INDUSTRIAL PRECISION CO., LIMITED**  
 香港星坤工業精密有限公司

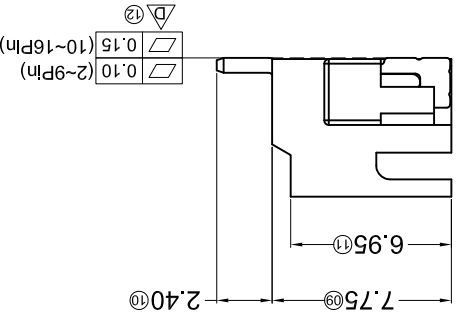
REVISIONS  
 (Unauthorized Signature(s))

MARK	DESCRIPTION	DATE	REVISION	APPROVED	UNSPECIFIED TOLERANCES
△X					L > 63 ± 0.5
△X					16 < L ≤ 63 ± 0.4
△X					4 < L ≤ 16 ± 0.3
△X					L ≤ 4 ± 0.2
					ANGULAR ± 5°

DATE	SCALE: N/A	MODEL TYPE:	MODEL NO.:	DWN	DATE	VIEW:	UNIT: mm	CHKD	DATE	APPD	DATE	SIZE: A4	WEIGHT	SHEET	REVISION
		X8821WRS-XX-9TXX	X8821WRS-XX-9TXX										1.0g	1/1	A0



2P Shape  
 SCALE 1:1



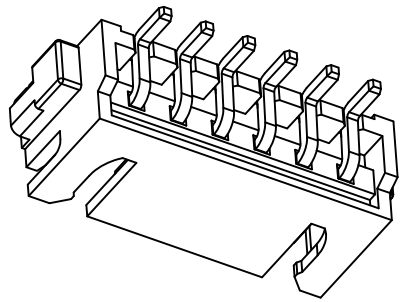
PART NO	Material	Solder(Pin and Tabs)	Finish(Pin)	Finish(Solder Tabs)	Suitable XKB Terminal
X8821WRS-XX-9T01	PA 9T UL 94V-0	Brass	Tin-Plated	Tin-Plated	X8821H
X8821WRS-XX-9TXX			Gold Flash	Tin-Plated	

Poles	Dimensions (mm)		
	A	B	C
02	2.50	10.00	5.90
03	5.00	12.50	8.40
04	7.50	15.00	10.90
05	10.00	17.50	13.40
06	12.50	20.00	15.90
07	15.00	22.50	18.40
08	17.50	25.00	20.90
09	20.00	27.50	23.40
Poles			
A B C			
Dimensions (mm)			

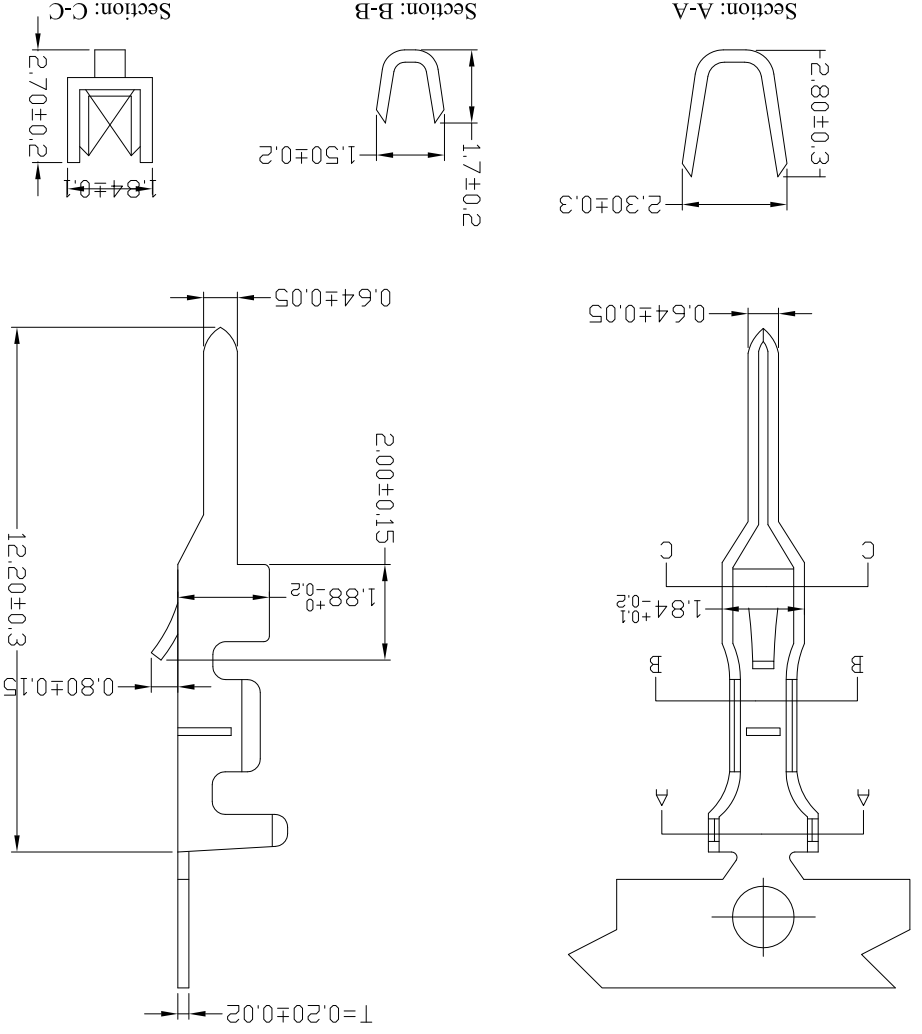
- ① Series No.
- ② Category: W-WAFER
- ③ Welding Board Angle: R-Right Angle 90°
- ④ Welding Way: S-SMT
- ⑤ Row No.-Pin No.: XX-02P~16P
- ⑥ Plug the Pin & Special No.:
- ⑦ Material: 9T -PA9T UL 94V-0
- ⑧ Plating Category: SN-Bright Tin Plating
- ⑨ Color : Blank-Natural Color

X8821 W R S-XX X-9T XX XX

- Specifications :
- Voltage rating: 250V AC / DC
  - Current rating: 3A AC / DC
  - Withstanding voltage: 1000V AC/minute
  - Temperature range: -25°C~+85°C
  - Insulation resistance: ≥1000MΩ
  - Contact resistance: ≤10mΩ
  - After environmental testing: ≤20mΩ



PART NO	Material	Wire Range	Insulation O.D.	Finish	Suitable XKB Terminal
X8821TM-PSN	Phosphor Bronze	AWG#22-26	1.90mm(Max)	Stamping Before Plating:30-50u" Ni;70-120u"Sn	X8821HF



- Specifications(规格) :
- Voltage rating(额定电压): 250V AC / DC
  - Current rating(额定电流): 3A AC / DC
  - Withstanding voltage(耐压值): 1000V AC/minute
  - Temperature range(工作温度): -25°C~+85°C
  - Insulation resistance(绝缘电阻): ≥1000MΩ
  - Contact resistance(接触电阻): ≤10mΩ
  - After environmental testing(环境测试后): ≤20mΩ

X8821 T M-P SN X-X

- ①系列  
②类别:  
T端子  
③外观形态:  
M-公端  
④材质:  
P-磷铜  
⑤电镀类别:G\*\*-镀金 V\*\*-镀全金  
⑥电镀方式:  
0-素材 SW-镀雾锡  
SN-镀亮锡(70-120U") SN1-镀亮锡(120U"Min.)  
\*10-10U" \*15-15U" \*30-30U" \*50-50U"  
\*01-Gold Flash \*02-2U" \*03-3U" \*05-5U"

- ⑦型号/MARK及特殊码  
空码-先冲后镀 B-先镀后冲  
⑥电镀方式:  
0-素材 SW-镀雾锡  
SN-镀亮锡(70-120U") SN1-镀亮锡(120U"Min.)  
\*10-10U" \*15-15U" \*30-30U" \*50-50U"  
\*01-Gold Flash \*02-2U" \*03-3U" \*05-5U"

DSND	DATE	SCALE: N/A	MODEL TYPE: X8821TM-PSN
DWN	DATE	VIEW:	PART NO.: 2.50 mm Crimp Style connectors
CHKD	DATE	UNIT: mm	DWG NO.:
APPD	DATE	SIZE: A4	WEIGHT: 1.0g
			SHEET: 1/1
			REVISION: A0

UNSPECIFIED TOLERANCES		REVISIONS		AUTHORIZED SIGNATURE(S)	
±0.5	L > 63	DATE	REVISOR	DATE	DESCRIPTION
±0.4	16 < L ≤ 63	APPROVED	REVISED		
±0.3	4 < L ≤ 16				
±0.2	L ≤ 4				
±5°	ANGULAR				

For and on behalf of  
XKB INDUSTRIAL PRECISION CO., LIMITED  
香港星坤工業精密有限公司

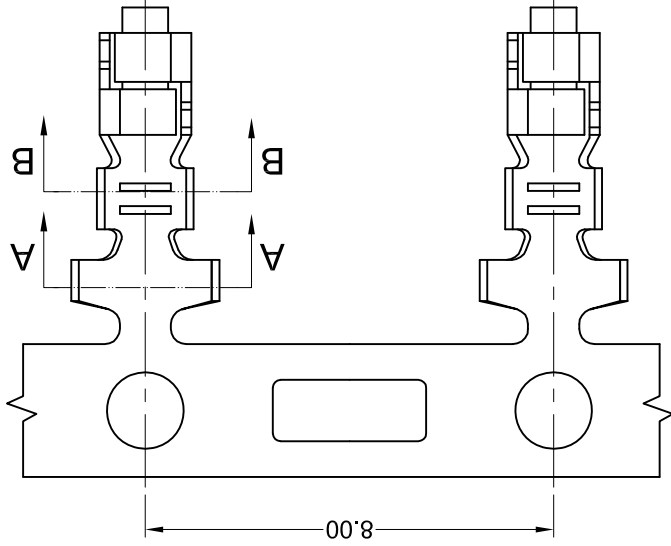
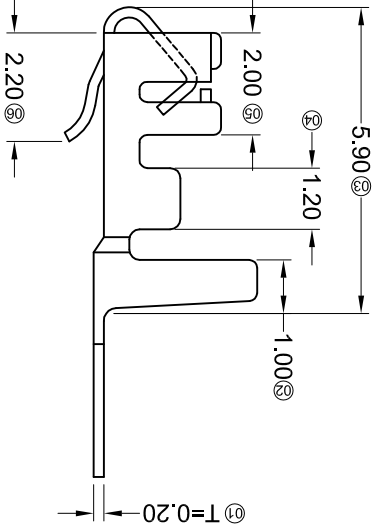
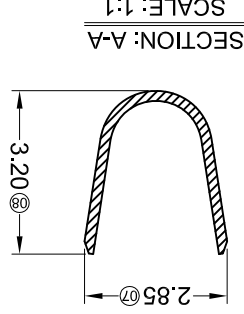
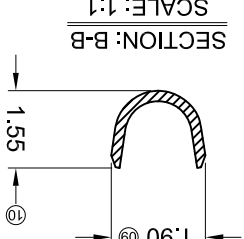
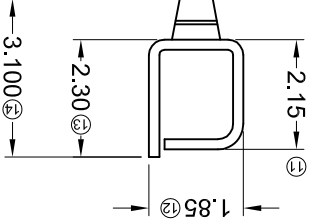
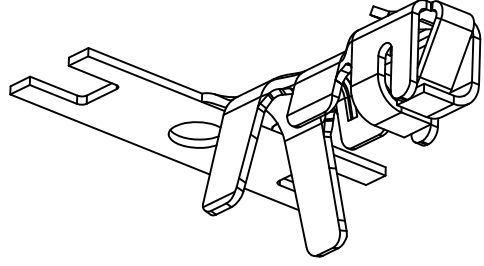
For and on behalf of  
**KXB INDUSTRIAL PRECISION CO., LIMITED**  
 香港星坤工業精密有限公司

Authorized Signature(s)

MARK	DESCRIPTION	DATE	REVISED	APPROVED	UNSPECIFIED TOLERANCES
△ X					L > 63 ± 0.5
△ X					16 < L ≤ 63 ± 0.4
△ X					4 < L ≤ 16 ± 0.3
					L ≤ 4 ± 0.2
					ANGULAR ± 5°

REVISION	SHEET	WEIGHT	KXB INDUSTRIAL PRECISION CO., LIMITED			
A0	1/1	1.0g	DATE	DATE	DATE	DATE
			SCALE: N/A	VIEW:	PART NO.: X8821T-BSNB	MODEL TYPE: X8821T-BSNB
			UNIT: mm	2.50mm Crimp Style Connectors	DWG NO.:	
			SIZE: A4			

PART NO	Material	Wire Range	Insulation O.D.	Finish	Plating
X8821T-BSN	Brass	AWG#22-26	1.90mm(Max)	Stamping Before Plating:30u" Ni:70u"Sn	Stamping Before Plating:30u" Ni:70u"Sn
X8821T-BSNB	Phosphor Bronze			Stamping Before Plating:10u" Ni:40u"Sn	Stamping Before Plating:10u" Ni:40u"Sn
X8821T-PSNB				Stamping Before Plating:10u" Ni:40u"Sn	Stamping Before Plating:10u" Ni:40u"Sn
X8821T-PSN				Stamping Before Plating:30u" Ni:70u"Sn	Stamping Before Plating:30u" Ni:70u"Sn



- Specifications :
- Voltage rating: 250V AC / DC
  - Current rating: 3A AC / DC
  - Withstanding voltage: 1000V AC/minute
  - Temperature range: -25°C~+85°C
  - Insulation resistance: ≥1000MΩ
  - Contact resistance: ≤10mΩ
  - After environmental testing: ≤20mΩ
- X8821 T X-B SN X - X
- ① Series Number  
 ② Category: T-terminal  
 ③ Shape: Blank-ordinary  
 ④ Material: B-Brass P-Phosphor bronze  
 ⑤ Plating style: SN-Bright tin plating  
 ⑥ Plating method: Blank-stamping before plating  
 B-Plating before stamping  
 ⑦ Mold No./Mark/Special No.

Authorized Signature(s)

For and on behalf of  
**KKB INDUSTRIAL PRECISION CO., LIMITED**  
 香港星坤工業精密有限公司

MARK	DESCRIPTION	DATE	REVISED	APPROVED	UNSPECIFIED TOLERANCES
△X					L > 63 ±0.5
△X					16 < L ≤ 63 ±0.4
△X					4 < L ≤ 16 ±0.3
					L ≤ 4 ±0.2
					ANGULAR ±5°

REVISION	SHEET	WEIGHT	KKB INDUSTRIAL PRECISION CO., LIMITED			
A0	1/1	1.0g	SIZE: A4	DATE	DATE	DATE
			UNIT: mm	DATE	DATE	DATE
			VIEW:	DATE	DATE	DATE
			SCALE: N/A	DATE	DATE	DATE
			MODEL TYPE: X8821H-XX-N0			
			PART NO.: X8821H-XX-N0			
			2.50mm Crimp style Connector			
			DWG NO.:			

PART NO	Material	Suitable XKB Terminal	Suitable XKB Terminal
X8821H-XX-N0	Nylon 66 UL 94V-0	X8821T	X8821W, 8821HF

Poles	Dimensions(mm)		
	A	B	C
02	2.50	7.30	5.70
03	5.00	9.80	8.20
04	7.50	12.30	10.70
05	10.00	14.80	13.20
06	12.50	17.30	15.70
07	15.00	19.80	18.20
08	17.50	22.30	20.70
09	20.00	24.80	23.20

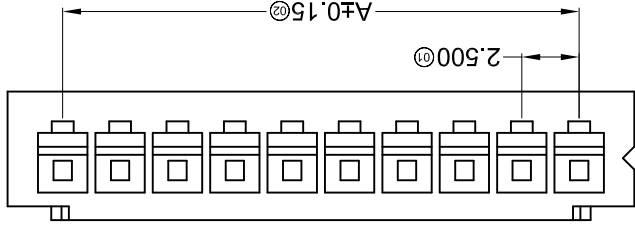
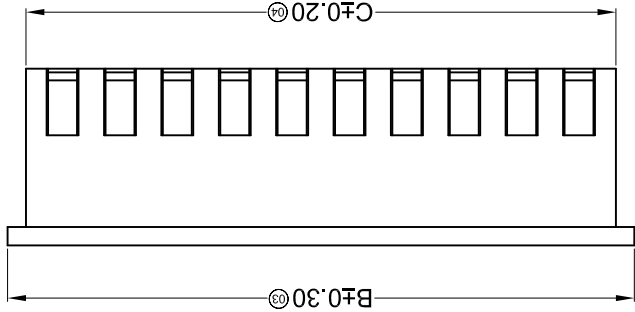
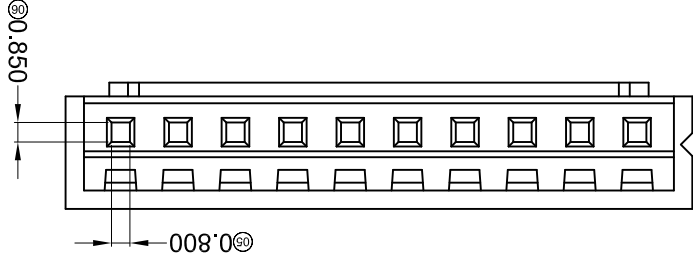
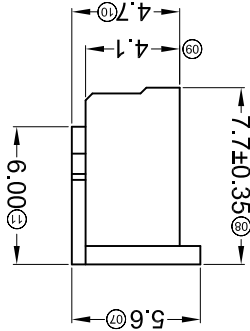
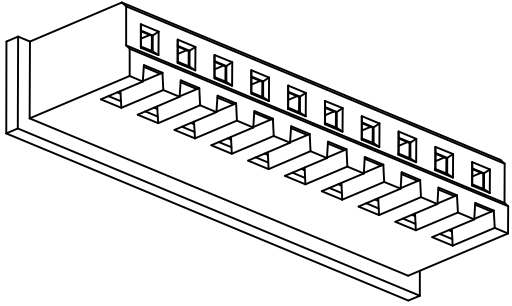
  

Poles	Dimensions(mm)		
	A	B	C
02	22.50	27.30	25.70
03	25.00	29.80	28.20
04	27.50	32.30	30.70
05	30.00	34.80	33.20
06	32.50	37.30	35.70
07	35.00	39.80	38.20
08	37.50	42.30	40.70

- ① Series No.
- ② Category: H-HSG
- ③ Appearance type: Blank-Ordinary
- ④ Row No.-Pin No.: XX-Single Row
- ⑤ Plug the Pin & Special No. Blank-Ordinary
- ⑥ Material: N0-PA66 94V-0
- ⑦ Color: Blank : Natural Color

X8821 H X-XX X-N0 XX

- Voltage rating: 250V AC / DC
- Current rating: 3A AC / DC
- Withstanding voltage: 1000V AC/minute
- Temperature range: -25°C~+85°C
- Insulation resistance: ≥1000MΩ
- Contact resistance: ≤10mΩ
- After environmental testing: ≤20mΩ





## X-ON Electronics

Largest Supplier of Electrical and Electronic Components

*Click to view similar products for [Headers & Wire Housings](#) category:*

*Click to view products by [XKB](#) manufacturer:*

Other Similar products are found below :

[95000-104TRLF](#) [10135584-644402LF](#) [DF62W-EP2022PCA](#) [95000-106TRLF](#) [DF62W-2022SCA](#) [DF62W-EP2022PC](#) [2203348](#) [DF62W-2022SC](#) [1084018](#) [1029039](#) [1084017](#) [802-10-012-10-002000](#) [1112640](#) [1112639](#) [891-007-9SS-BST1T](#) [000-34000](#) [0008550134](#) [0009482033](#) [0009507031](#) [57102-F02-18ULF](#) [57102-S06-03LF](#) [57202-S52-04LF](#) [PCN6-15S-2.5E](#) [0039019024](#) [58102-G61-06LF](#) [582553-1](#) [0009485154](#) [0009508121](#) [0022285053](#) [0050291907](#) [018731A](#) [LY20-4P-DT1-P1E-BR](#) [02.125.8002.8](#) [60101931](#) [60598-1 \(Cut Strip\)](#) [M1625-3R/100](#) [61062-3](#) [61082-181009](#) [CSU011177004](#) [636-1427](#) [638009-1](#) [641938-9](#) [641991-4](#) [644168-1](#) [644827-2](#) [647662-1](#) [65039-019ELF](#) [65692-001LF](#) [65781-018](#) [65781-047](#)