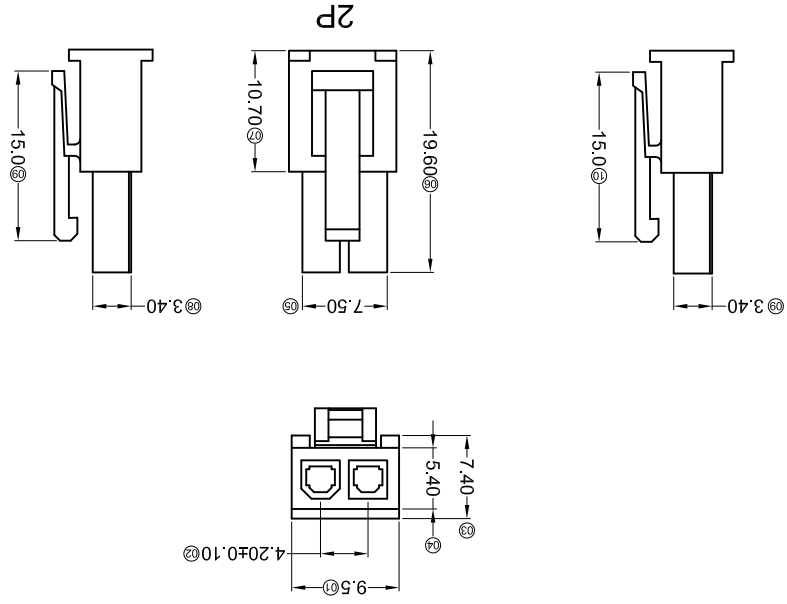
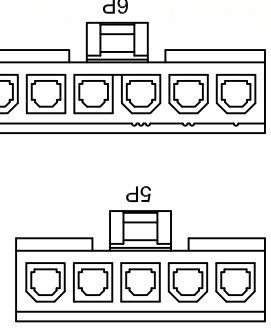
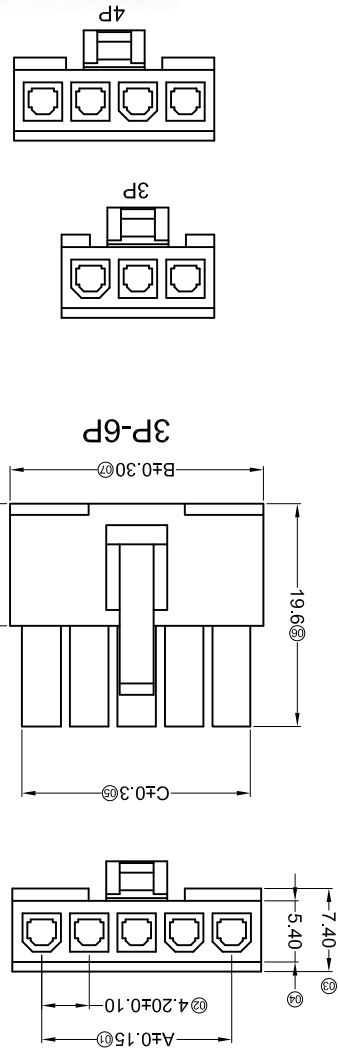


For and on behalf of
KXB INDUSTRIAL PRECISION CO., LIMITED
 香港星坤工業精密有限公司

MARK	DESCRIPTION	DATE	REVISED	APPROVED	UNSPECIFIED TOLERANCES
△ X					L > 63 ± 0.5
△ X					16 < L ≤ 63 ± 0.4
△ X					4 < L ≤ 16 ± 0.3
△ X					L ≤ 4 ± 0.2
					ANGULAR ± 5°

REVISIONS	KXB INDUSTRIAL PRECISION CO., LIMITED				
DATE	DATE	DATE	DATE	DATE	DATE
REVISED	REVISED	REVISED	REVISED	REVISED	REVISED
APPROVED	APPROVED	APPROVED	APPROVED	APPROVED	APPROVED
UNSPECIFIED TOLERANCES	UNSPECIFIED TOLERANCES	UNSPECIFIED TOLERANCES	UNSPECIFIED TOLERANCES	UNSPECIFIED TOLERANCES	UNSPECIFIED TOLERANCES

MODEL TYPE:	X9357HM-XX-XX
SCALE: N/A	
DATE	
DWNSD	
DWN	
CHKD	
APPD	
SIZE: A4	
UNIT: mm	
VIEW:	
PART NO.:	
DWG NO.:	
WEIGHT	1.0g
SHEET	1/1
REVISION	A0



PART NO	Material	Suitable XKB Terminal
X9357HM-XX-N0	Nylon 66 94V-0	X9357TF
X9357HM-XX-N2	Nylon 66 94V-2	X9357W Or 9357H

Poles	Dimensions(mm)		
	A	B	C
06	21.00	26.10	24.10
05	16.80	22.00	20.20
04	12.60	17.70	15.80
03	8.40	13.50	11.60
02	4.20	9.50	7.50

- ① Series No.
 ② Category: H-HSG
 ③ Welding Board Angle: M-Male housing
 ④ Row No.-Pin No.: XX-02P~16P
 ⑤ Plug the Pin & special No.:
 ⑥ Material: N0-PA66 94V-0; N2-PA66 94V-2
 ⑦ Color : Blank-Natural Color

X9357 H M-XX XX-XX XX

- Specifications :
- Voltage rating: 600V AC / DC
 - Current rating: 9A AC / DC
 - Withstanding voltage: 1500V AC/minute
 - Temperature range: -25°C~+85°C
 - Insulation resistance: ≥1000MΩ
 - Contact resistance: ≤10mΩ
 - After environmental testing : ≤20mΩ

For and on behalf of
KXB INDUSTRIAL PRECISION CO., LIMITED
 香港星坤工業精密有限公司

Authorized Signatures

MARK	DESCRIPTION	DATE	REVISED	APPROVED	UNSPECIFIED TOLERANCES
△ X					L > 63 ± 0.5
△ X					16 < L ≤ 63 ± 0.4
△ X					4 < L ≤ 16 ± 0.3
△ X					L ≤ 4 ± 0.2
					ANGULAR ± 5°

REVISION	SHEET	WEIGHT	DATE	DATE	DATE	DATE	DATE
A0	1/1	1.0g					

KXB INDUSTRIAL PRECISION CO., LIMITED

DSND	SCALE: N/A	DATE	DATE	DATE	DATE
DWN	VIEW:	DATE	DATE	DATE	DATE
CHKD	UNIT: mm	DATE	DATE	DATE	DATE
APPD	SIZE: A4	DATE	DATE	DATE	DATE

MODEL TYPE: X9357HF-XXX-XX
 PART NO.:
 4.20 mm Crimp Style Connectors
 DWG NO.:

PART NO	Material	Suitable XKB Terminal	Suitable XKB Terminal	Note
X9357HF-XXG-N2	Nylon 66 94V-2	X9357TM	X9357W Or 9357H	With Ears
X9357HF-XXL-N2	Nylon 66 94V-2			Without Ears
X9357HF-XXG-N0	Nylon 66 94V-0			With Ears
X9357HF-XXH-N0	Nylon 66 94V-0			Without Ears

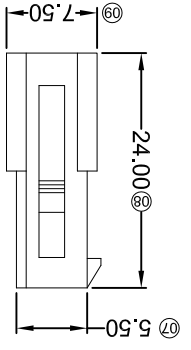
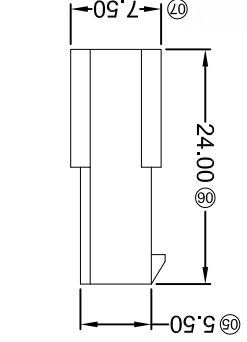
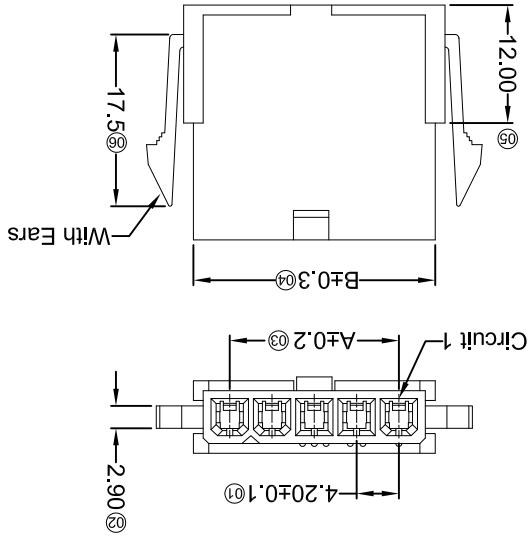
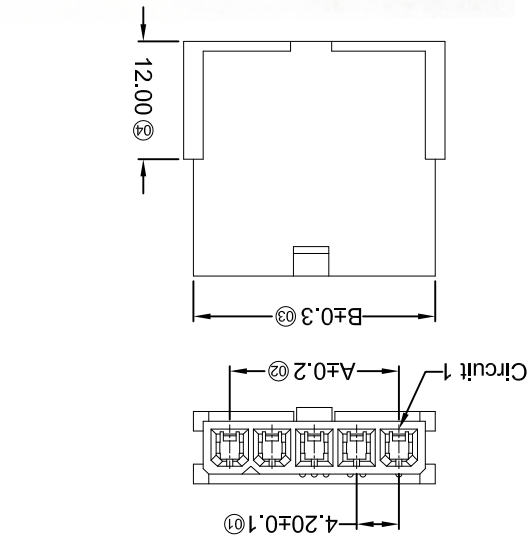
Poles	Dimensions(mm)				Poles
	A	B	A	B	
02	4.20	9.80	08	29.40	35.00
03	8.40	14.00	09	33.60	39.20
04	12.60	18.20	10	37.80	43.40
05	16.80	22.40	11	42.00	47.60
06	21.00	26.60	12	46.20	51.80
07	25.20	30.80			

Specifications :

- Voltage rating: 600V AC / DC
- Current rating: 9A AC / DC
- Withstanding voltage: 1500V AC/minute
- Temperature range: -25°C~+85°C
- Insulation resistance: ≥1000MΩ
- Contact resistance: ≤10mΩ
- After environmental testing: ≤20mΩ

X9357 H F-XX X-XX XX

① Series No.
 ② Category: H-HSG
 ③ Welding Board Angle: F-Female
 ④ Row No.-Pin No.: XX-02P~12P
 ⑤ Plug the Pin & special No.:
 I-Without the Wing; G-With the Wing
 ⑥ Material: N0-PA66 94V-0; N2-PA66 94V-2
 ⑦ Color : Blank-Natural Color

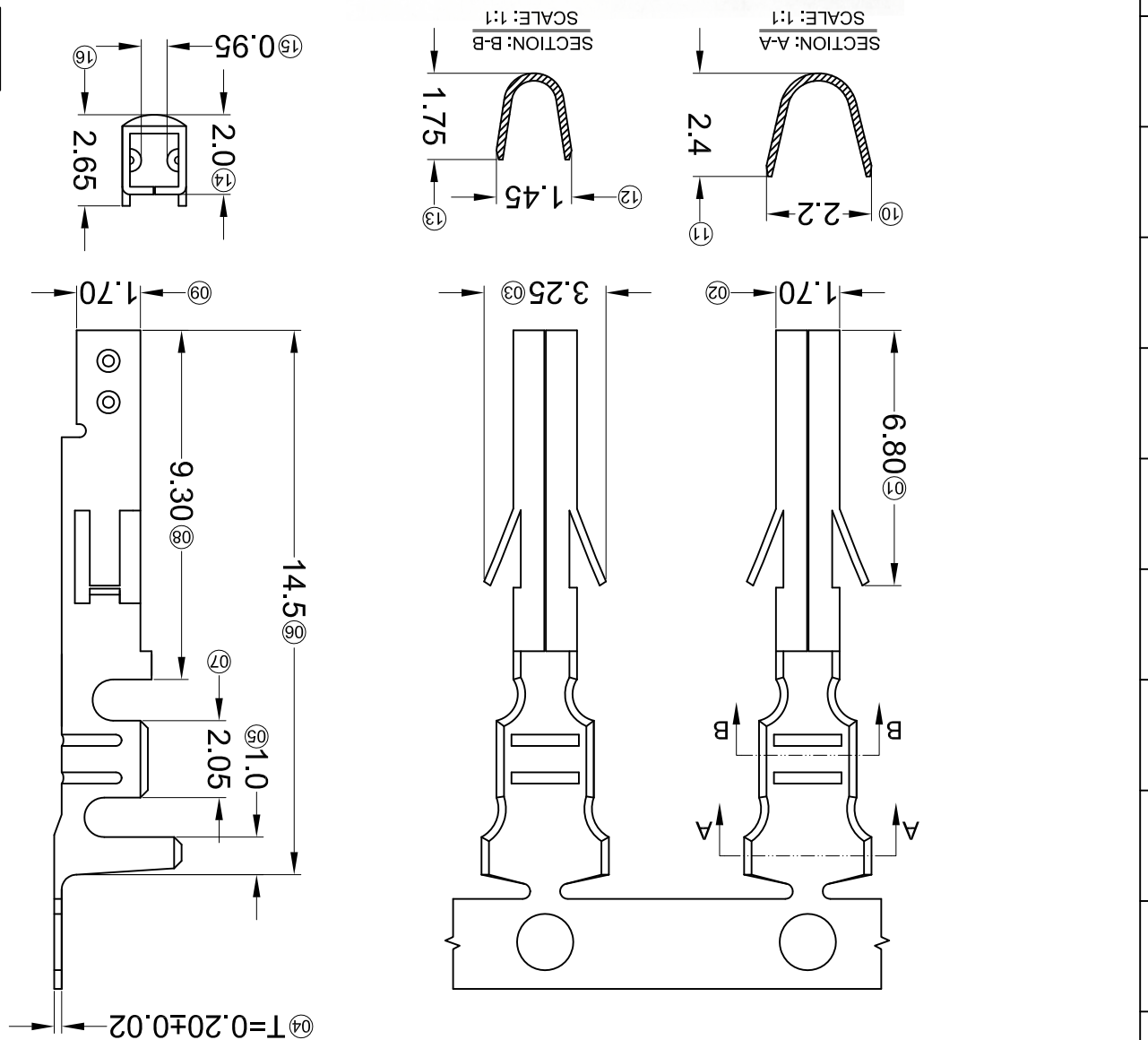


For and on behalf of
XKB INDUSTRIAL PRECISION CO., LIMITED
香港星坤工業精密有限公司

MARK	DESCRIPTION	DATE	REVISED	APPROVED	UNSPECIFIED TOLERANCES
△ X					L > 63 ± 0.5
△ X					16 < L ≤ 63 ± 0.4
△ X					4 < L ≤ 16 ± 0.3
					L ≤ 4 ± 0.2
					ANGULAR ± 5°

REVISIONS
(Authorized Signatures)

REVISION	SHEET	WEIGHT	1.0g	1/1	REVISION
XKB INDUSTRIAL PRECISION CO., LIMITED					
		SIZE: A4		DATE	DATE
		UNIT: mm		DATE	DATE
		VIEW:		DATE	DATE
		SCALE: N/A		DATE	DATE
		MODEL TYPE: X9357TF-XSN-M			
		PART NO.: 4.20 mm Crimp Style Connectors			
		DWG NO.:			



PART NO	Material	Wire Range	Insulation O.D.	Finish	Suitable XKB
X9357TF-P-SN-M	Phosphor Bronze	AWG#24-28	1.90mm(Max)	Stamping Before Plating :30u" MIN, Ni:70u"Sn MIN.	X9357HM
X9357TF-B-SN-M	Brass				

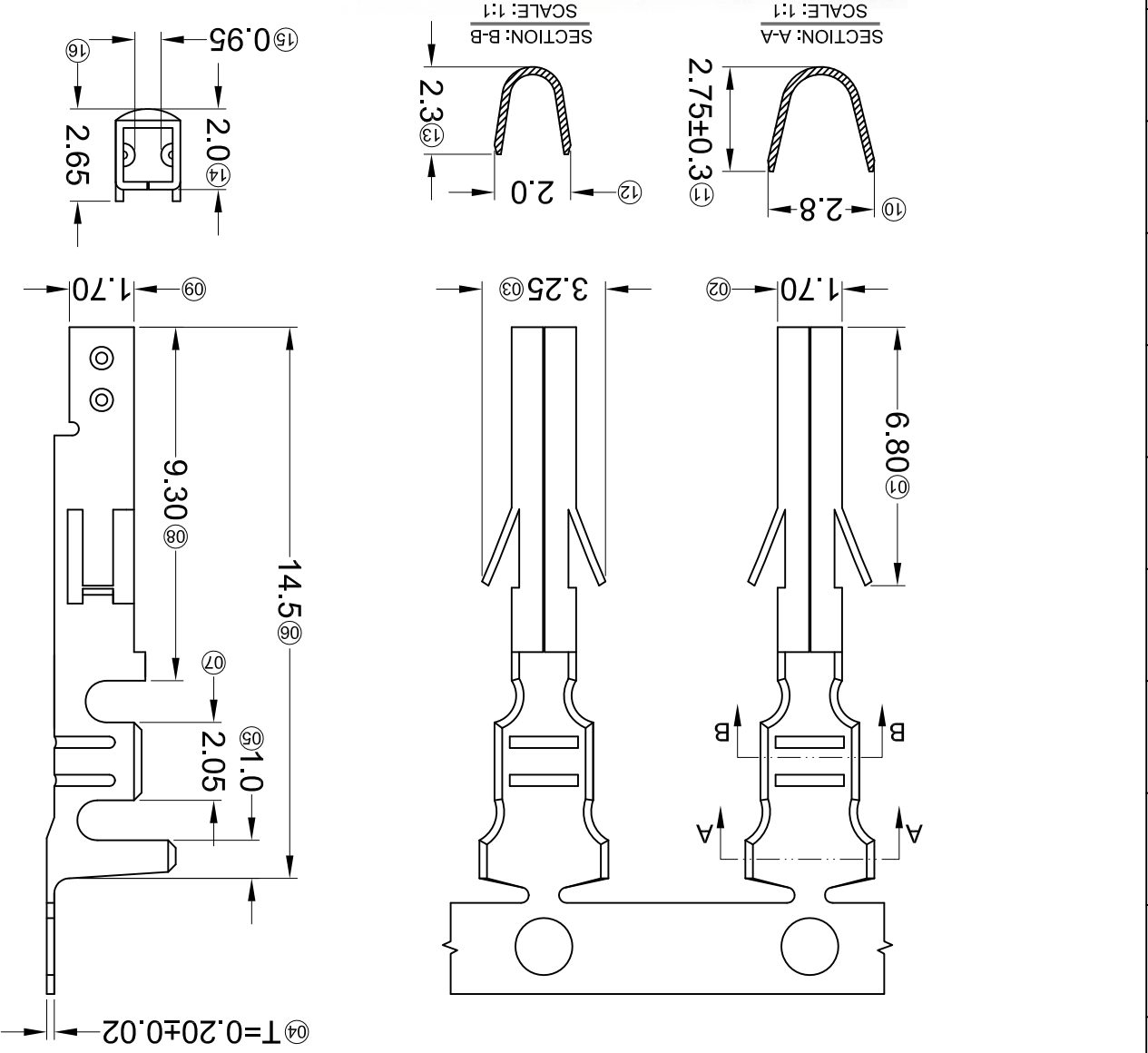
- Specifications :**
- Voltage rating: 600V AC / DC
 - Current rating: 9A AC / DC
 - Withstanding voltage: 1500V AC/minute
 - Temperature range: -25°C~+85°C
 - Insulation resistance: ≥1000MΩ
 - Contact resistance: ≤10mΩ
 - After environmental testing : ≤20mΩ
- Series Number**
- X9357 T F-X SN X-M
- ① ② ③ ④ ⑤ ⑥ ⑦
- ① Series Number
 - ② Category: T-terminal
 - ③ Shape: F-Female
 - ④ Material: B-Brass; P-Phosphor Bronze
 - ⑤ Plating style: SN-Bright tin plating
 - ⑥ Plating method:
 - ⑦ Blank-Stamping before plating;
 - ⑧ Special No: M-Low Leads

For and on behalf of
KXB INDUSTRIAL PRECISION CO., LIMITED
 香港星坤工業精密有限公司

REVISIONS
 (Authorized Signatures)

MARK	DESCRIPTION	DATE	REVISED	APPROVED	UNSPECIFIED TOLERANCES
△ X					L > 63 ± 0.5
△ X					16 < L ≤ 63 ± 0.4
△ X					4 < L ≤ 16 ± 0.3
					L ≤ 4 ± 0.2
					ANGULAR ± 5°

REVISION	SHEET	WEIGHT	1.0g	1/1	AO
KXB INDUSTRIAL PRECISION CO., LIMITED					
DWGS NO.:	SIZE: A4	UNIT: mm	DATE	DATE	DATE
4.20 mm Crimp Style Connectors					
PART NO.:	VIEW:	DATE	DATE	DATE	DATE
X9357TF-XSN-L					
MODEL TYPE:	SCALE: N/A	DATE	DATE	DATE	DATE
X9357TF-XSN-L					

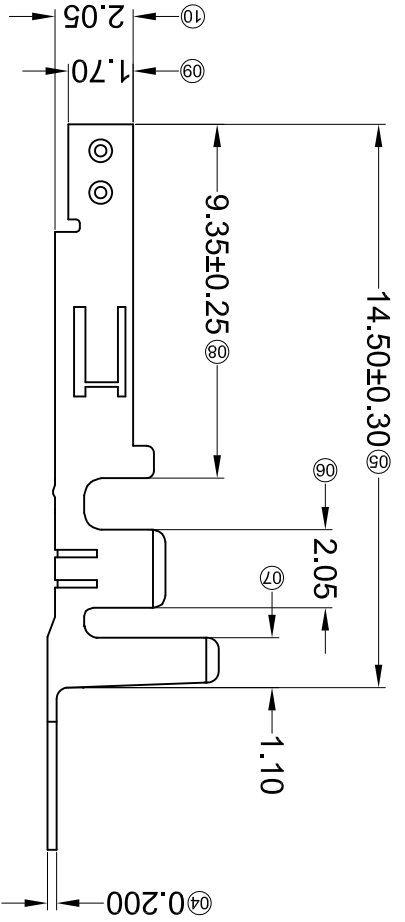
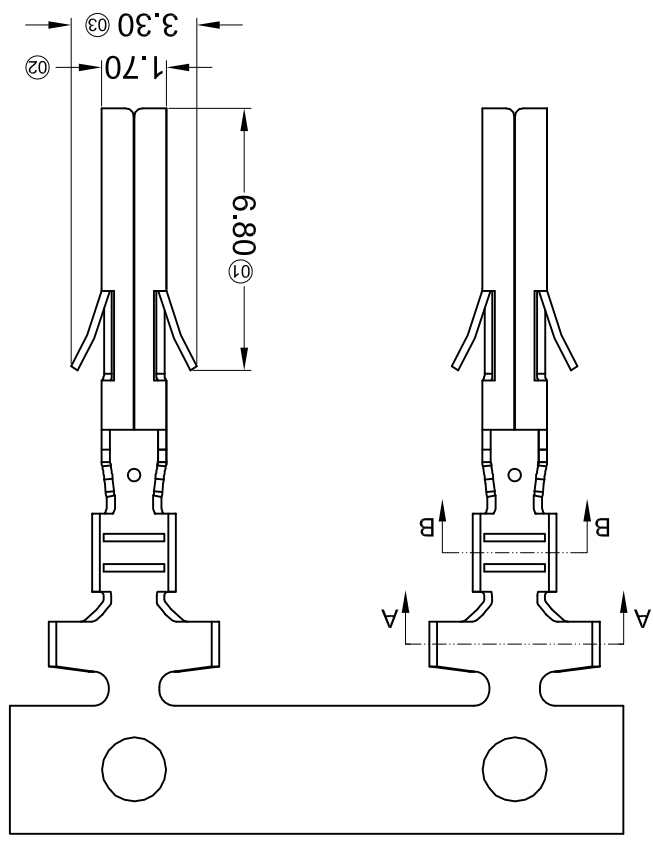
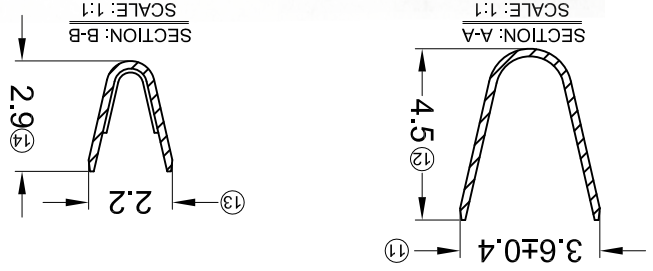


PART NO	Material	Wire Range	Insulation O.D.	Finish	Suitable KXB
X9357TF-BSN-L	Brass	AWG#18-24	2.10mm(Max)	Stamping Before Plating :30u" MIN, Ni:70u"Sn MIN.	X9357HM
X9357TF-PSN-L	Phosphor Bronze				

- **Specifications :**
- Voltage rating: 600V AC / DC
 - Current rating: 9A AC / DC
 - Withstanding voltage: 1500V AC/minute
 - Temperature range: -25°C~+85°C
 - Insulation resistance: ≥1000MΩ
 - Contact resistance: ≤10mΩ
 - After environmental testing : ≤20mΩ
- X9357 T F-X SN X-L
- ① Series Number
 ② Category: T-terminal
 ③ Shape: F-Female
 ④ Material: B-Brass; P-Phosphor Bronze
 ⑤ Plating style: SN-Bright tin plating
 ⑥ Plating method:
 Blank-Stamping before plating;
 ⑦ Special No: L-Normal Leads

REVISIONS <i>(Authorized Signatures)</i>		UNSPECIFIED TOLERANCES		KXB INDUSTRIAL PRECISION CO., LIMITED	
MARK	DESCRIPTION	DATE	REVISD	APPROVED	
△ X					
△ X					
△ X					
		L > 63	± 0.5		
		16 < L ≤ 63	± 0.4		
		4 < L ≤ 16	± 0.3		
		L ≤ 4	± 0.2		
		ANGULAR	± 5°		
DNSD	DATE	SCALE: N/A	MODEL TYPE: X9357TF-XSN-H	DWN	DATE
CHKD	DATE	UNIT: mm	PART NO.: 4.20 mm Crimp Style Connectors	APPD	DATE
SIZE: A4					
WEIGHT	SHEET	REVISION			
1.0g	1/1	A0			

For and on behalf of
KXB INDUSTRIAL PRECISION CO., LIMITED
香港星坤工業精密有限公司



PART NO	MATERIAL	WIRE RANGE	INSULATION O.D.	FINISH	SUITABLE XKB
X9357TF-BSN-H	Brass	AWG#16-24	3.10mm(Max)	Stamping Before Plating : 30u" MIN. Ni70u"Sn MIN.	X9357HM
X9357TF-PSN-H	Phosphor Bronze				

- Specifications :
- Voltage rating: 600V AC / DC
 - Current rating: 9A AC / DC
 - Withstanding voltage: 1500V AC/minute
 - Temperature range: -25°C~+85°C
 - Insulation resistance: ≥1000MΩ
 - Contact resistance: ≤10mΩ
 - After environmental testing : ≤20mΩ
- X9357 T F-X SN X-H
- ① Series Number
② Category: T-terminal
③ Shape: F-Female
④ Material: B-Brass; P-Phosphor Bronze
⑤ Plating style: SN-Bright tin plating
⑥ Plating method:
Blank-Stamping before plating;
⑦ Special No: H-High Leads

For and on behalf of
XKB INDUSTRIAL PRECISION CO., LIMITED
 香港星坤工業精密有限公司

REVISIONS
 (Authorized Signatures)

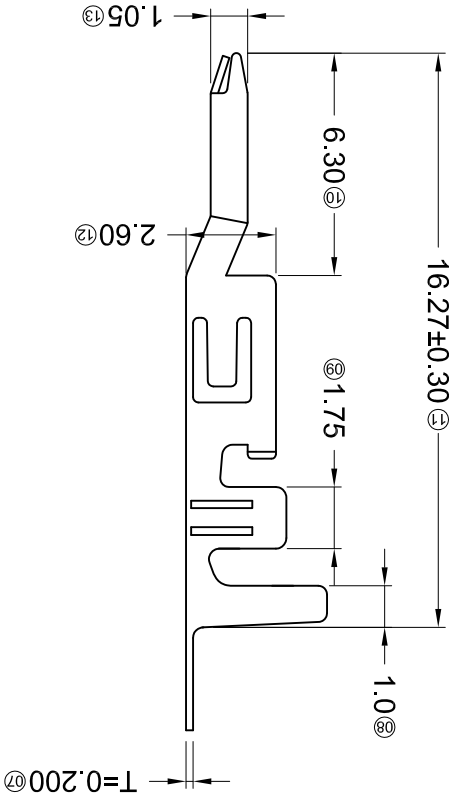
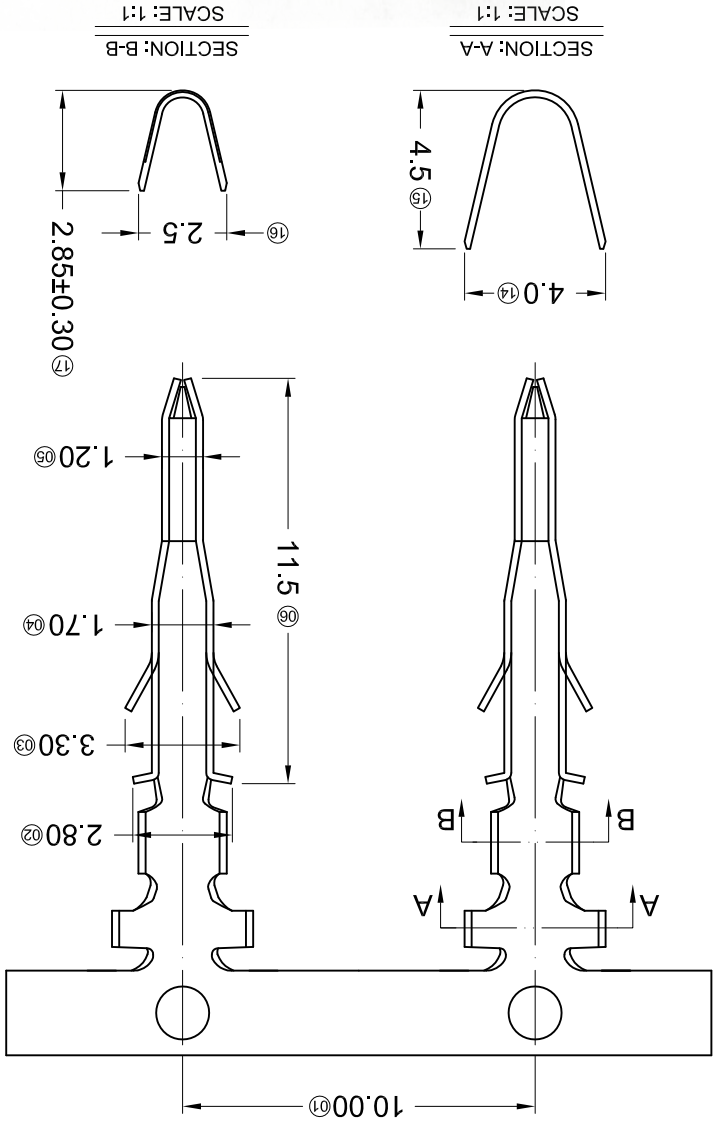
MARK	DESCRIPTION	DATE	REVISED	APPROVED	UNSPECIFIED TOLERANCES
△ X					L > 63 ± 0.5
△ X					16 < L ≤ 63 ± 0.4
△ X					4 < L ≤ 16 ± 0.3
△ X					L ≤ 4 ± 0.2
					ANGULAR ± 5°

REVISION	SHEET	WEIGHT	SIZE	DATE	DATE	DATE	DATE	DATE
A0	1/1	1.0g	A4					

XKB INDUSTRIAL PRECISION CO., LIMITED

DWGN NO.:	UNIT: mm	VIEW:	SCALE: N/A
4.20 mm Crimp Style Connector			
PART NO.:			
X9357TM-BSN-H			
MODEL TYPE:			

PART NO	Material	Wire Range	Insulation O.D.	Finish	Suitable XKB
X9357TM-BSN-H	Brass	AWG#16-22	3.10mm(Max)	Stamping Before Plating:30u" Ni:70u"Sn	X9357HF



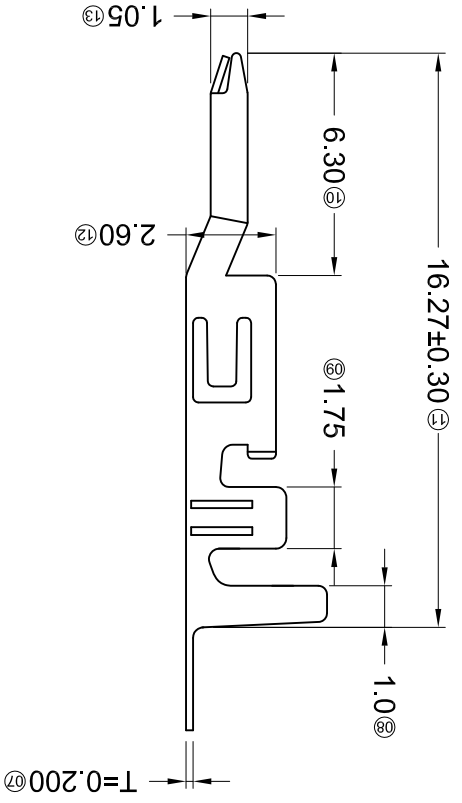
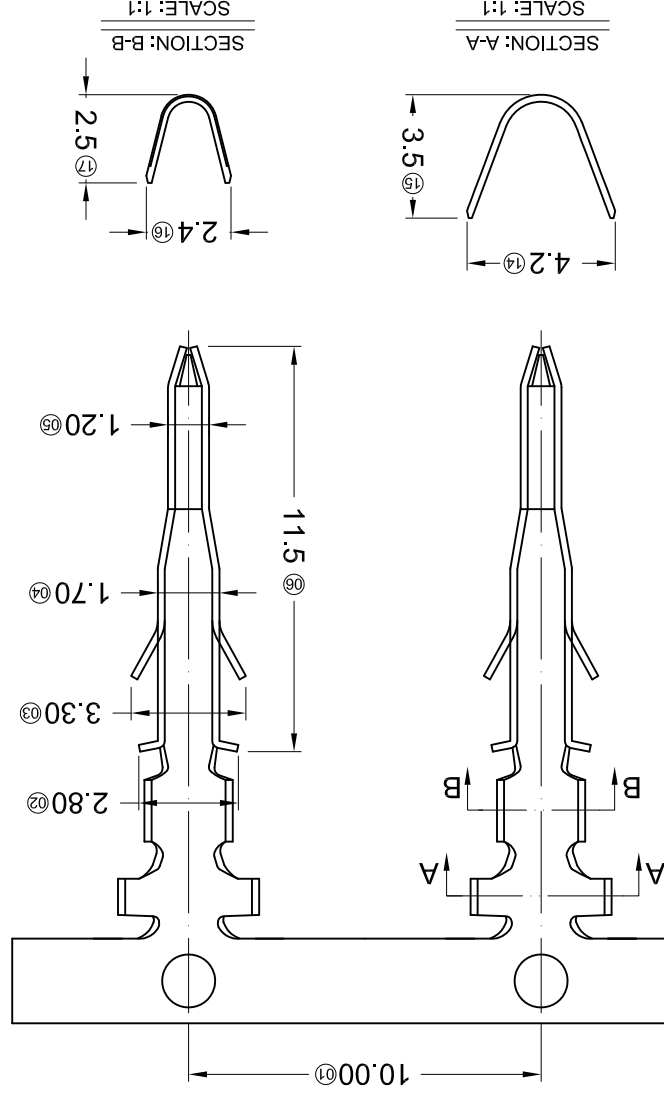
- Specifications :**
- Voltage rating: 600V AC / DC
 - Current rating: 9A AC / DC
 - Withstanding voltage: 1500V AC/minute
 - Temperature range: -25°C~+85°C
 - Insulation resistance: ≥1000MΩ
 - Contact resistance: ≤10mΩ
 - After environmental testing: ≤20mΩ
- X9357 T M-B SN X-H**
- Series No.
 - Category: T-Terminal
 - Appearance type: M-Male Terminal
 - Material: B-Brass
 - Plating Style: SN-Bright Tin Plating
 - Plating Method :
 - Blank-Stamping before Plating
 - H-High Crimp

REVISIONS		UNSPECIFIED TOLERANCES	
MARK	DESCRIPTION	DATE	APPROVED
△ X			
△ X			
△ X			
REVISED SIGNATURE(S)		REVISOR	DATE

For and on behalf of
XKB INDUSTRIAL PRECISION CO., LIMITED
 香港星坤工業精密有限公司

DSND	DATE	SCALE: N/A	MODEL TYPE: X9357TM-XSN
DWN	DATE	VIEW:	PART NO.:
CHKD	DATE	UNIT: mm	DWG NO.:
APPD	DATE	SIZE: A4	
XKB INDUSTRIAL PRECISION CO., LIMITED		WEIGHT: 1.0g	SHEET: 1/1
		REVISION	A0

PART NO	Material	Wire Range	Insulation O.D.	Finish	Suitable XKB
X9357TM-BSN	Brass	AWG#18-22	3.00mm(Max)	Stamping Before Plating:30u" Ni;70u"Sn	X9357HF
X9357TM-PSN	Phosphor Bronze				



- Specifications :**
- Voltage rating: 600V AC / DC
 - Current rating: 9A AC / DC
 - Withstanding voltage: 1500V AC/minute
 - Temperature range: -25°C~+85°C
 - Insulation resistance: ≥1000MΩ
 - Contact resistance: ≤10mΩ
 - After environmental testing: ≤20mΩ
- X9357 T M-X SN X-X
- Series No.
 - Category: T-Terminal
 - Appearance type: M-Male Terminal
 - Material: B-Brass; P-Phosphor Bronze
 - Plating Style: SN-Bright Tin Plating
 - Plating Method :
 - Blank-Stamping before Plating
 - Mold NO/MARK&Special NO

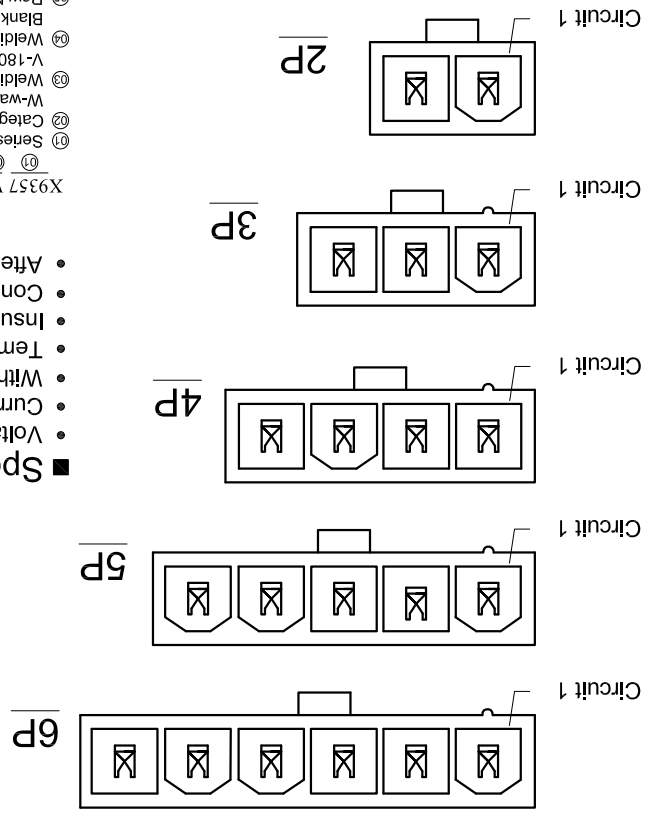
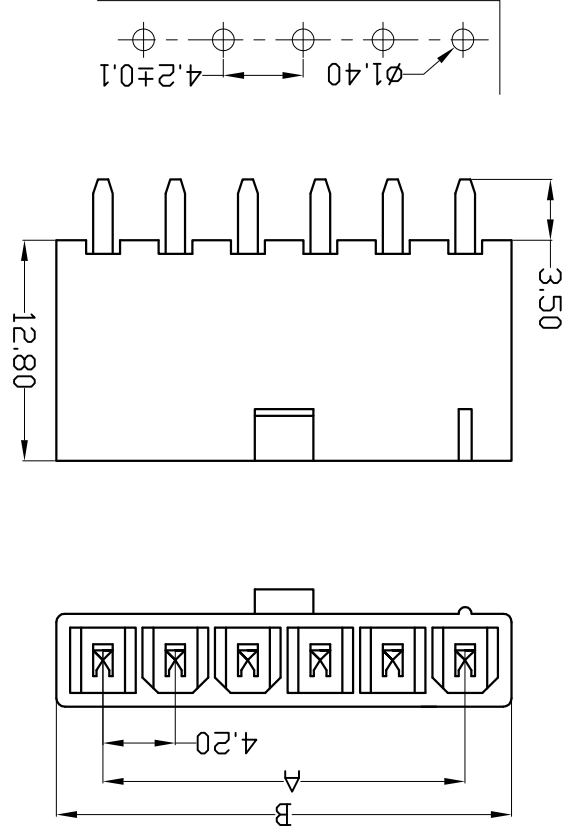
REVISIONS		UNSPECIFIED TOLERANCES		KXB INDUSTRIAL PRECISION CO., LIMITED	
MARK	DESCRIPTION	DATE	REVISED	APPROVED	L > 63
△ X					16 < L ≤ 63
△ X					4 < L ≤ 16
△ X					L ≤ 4
					ANGULAR
					±5°
DSND	DATE	SCALE: N/A	MODEL TYPE:	X9357WV-XXHN-XXSN	
DWN	DATE	VIEW:	PART NO.:	4.20mm Crimp Style connectors	
CHKD	DATE	UNIT: mm	DWG NO.:		
APPD	DATE	SIZE: A4	WEIGHT	1.0g	
			SHEET	1/1	
			REVISION	A0	

For and on behalf of
 KXB INDUSTRIAL PRECISION CO., LIMITED
 香港星坤工業精密有限公司

PART NO	Material	Material(Pin)	Finish(Pin)	Suitable XKB Terminal
X9357WR-XXHN-N2SN	Nylon 66 UL 94V-2	Brass	Tin-Plated	X9357H
X9357WV-XXHN-N0SN	Nylon 66 UL 94V-0	Brass	Tin-Plated	X9357H

Poles	A	B
2	4.20	9.60
3	8.40	13.80
4	12.60	18.00
5	16.80	22.20
6	21.00	26.40

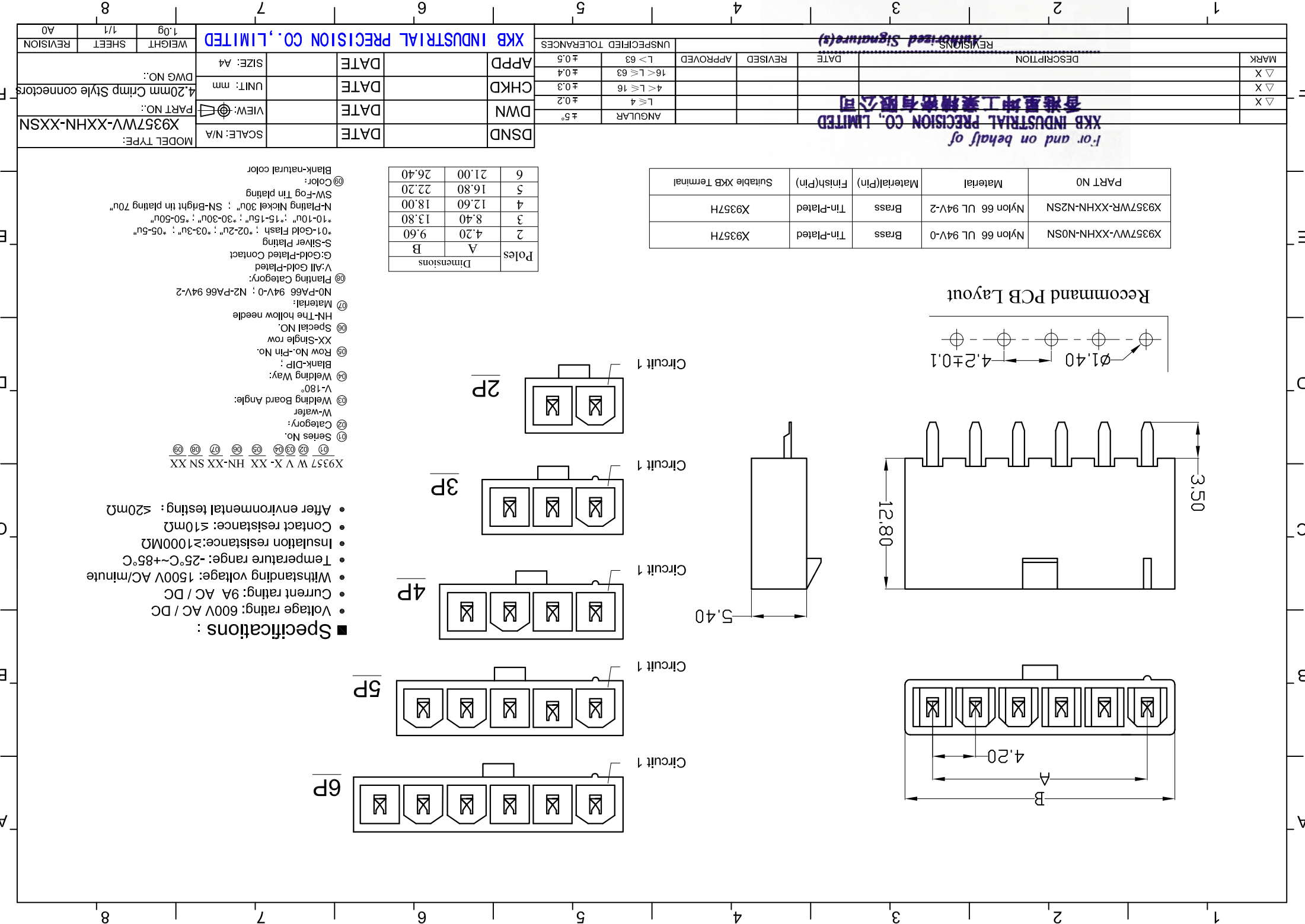
Recommend PCB Layout



- ① Series No.
- ② Category:
- ③ W-water
- ④ Welding Board Angle:
- ⑤ V-180°
- ⑥ Welding Way:
- ⑦ Blank-DIP:
- ⑧ Row No.-Pin No.
- ⑨ XX-Single row
- ⑩ Special NO.
- ⑪ HN-The hollow needle
- ⑫ Material:
- ⑬ NO-PA66 94V-0; N2-PA66 94V-2
- ⑭ Planting Category:
- ⑮ V-All Gold-Plated
- ⑯ G-Gold-Plated Contact
- ⑰ S-Silver Plating
- ⑱ *0-Gold Flash : *02-2u" : *03-3u" : *05-5u"
- ⑲ *10-10u" : *15-15u" : *30-30u" : *50-50u"
- ⑳ N-Plating Nickel 30u" : SM-Bright tin plating 70u"
- ㉑ SW-Fog Tin plating
- ㉒ Color:
- ㉓ Blank-natural color

- Specifications :
- Voltage rating: 600V AC / DC
 - Current rating: 9A AC / DC
 - Withstanding voltage: 1500V AC/minute
 - Temperature range: -25°C~+85°C
 - Insulation resistance: ≥1000MΩ
 - Contact resistance: ≤10mΩ
 - After environmental testing : ≤20mΩ

X9357 W V X-XX HN-XX SN XX



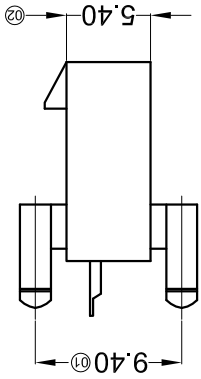
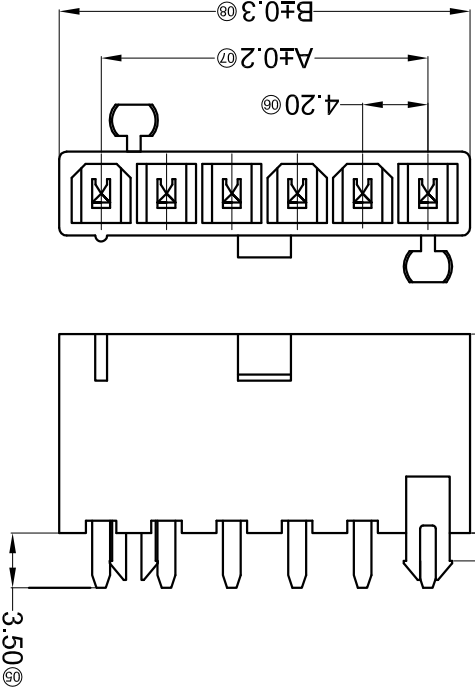
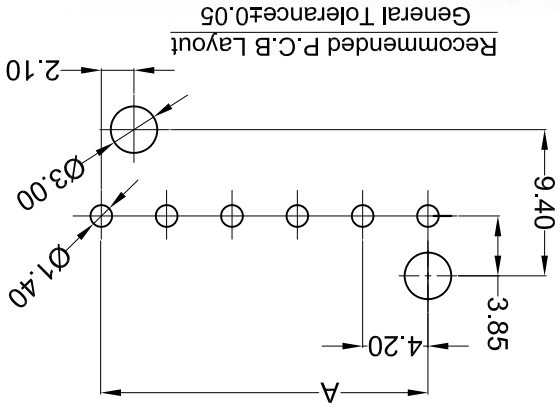
For and on behalf of
KKB INDUSTRIAL PRECISION CO., LIMITED
 香港星洲工業精密有限公司

REVISIONS
 (Authorized Signatures)

MARK	DESCRIPTION	DATE	REVISED	APPROVED	UNSPECIFIED TOLERANCES
△ X					L > 63 ± 0.5
△ X					16 < L ≤ 63 ± 0.4
△ X					4 < L ≤ 16 ± 0.3
△ X					L ≤ 4 ± 0.2
					ANGULAR ± 5°

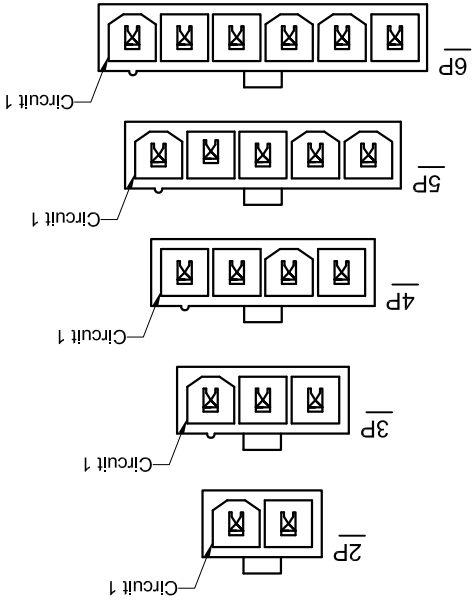
DATE	DATE	DATE	DATE	DATE
DSND	DWN	CHKD	APPD	
SCALE: N/A	VIEW:	UNIT: mm	SIZE: A4	

REVISION	SHEET	WEIGHT
A0	1/1	1.0g



PART NO	Material	Material(Pin)	Finish(Pin)	Suitable XKB Terminal
X9357WV-XXFS-N2SN	Nylon 66 UL 94V-2	Brass	Tin-Plated	X9357H
X9357WV-XXFS-N0SN	Nylon 66 UL 94V-0			
X9357WV-XXFS-46SN	Nylon 46 UL 94V-0			

Poles	Dimensions(mm)		Poles	Dimensions(mm)
	A	B		
04	12.60	18.00		
03	8.40	13.80	06	21.00
02	4.20	9.60	05	16.80
			A	B



■ Specifications :

- Voltage rating: 600V AC / DC
- Current rating: 9A AC / DC
- Withstanding voltage: 1500V AC/minute
- Temperature range: -25°C~+85°C
- Insulation resistance: ≥1000MΩ
- Contact resistance: ≤10mΩ
- After environmental testing: ≤20mΩ

X9357 W V X-XX FS-XX SN XX

① Series No.

② Category: W-water

③ Welding Board Angle: V- Straight 180°

④ Welding Way: Blank-DIP

⑤ Row No.-Pin No.: XX-02P-06P

⑥ Plug the Pin & Special No.:

⑦ FS-The hollow needle with positioning column

⑧ Material: 46-PA46 94V-0; N0-PA66 94V-0

⑨ N2-PA66 94V-0

⑩ Planting Category: SN-Bright tin plating;

⑪ Color: Blank-natural color

For and on behalf of
KKB INDUSTRIAL PRECISION CO., LIMITED
 香港星坤工業精密有限公司

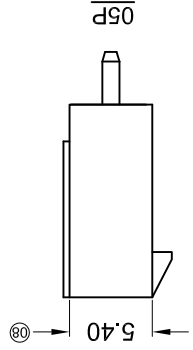
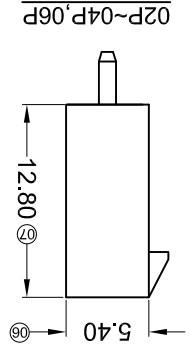
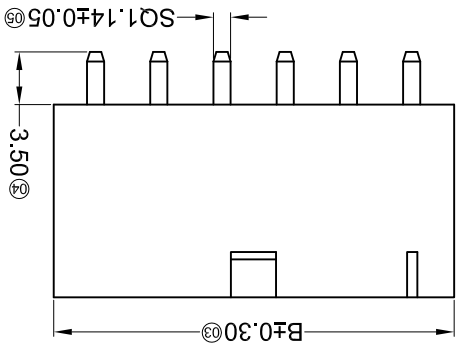
REVISIONS
 (Authorized Signatures)

MARK	DESCRIPTION	DATE	REVISED	APPROVED	UNSPECIFIED TOLERANCES
△ X					L > 63
△ X					16 < L ≤ 63
△ X					4 < L ≤ 16
△ X					L ≤ 4
					ANGULAR ±5°

DSND	DATE	SCALE: N/A	MODEL TYPE: X9357WV-XX-XXSN
DWN	DATE	VIEW:	PART NO.:
CHKD	DATE	UNIT: mm	DWG NO.:
APPD	DATE	SIZE: A4	REVISION
			1/1
			WEIGHT 1.0g
			SHEET
			A0

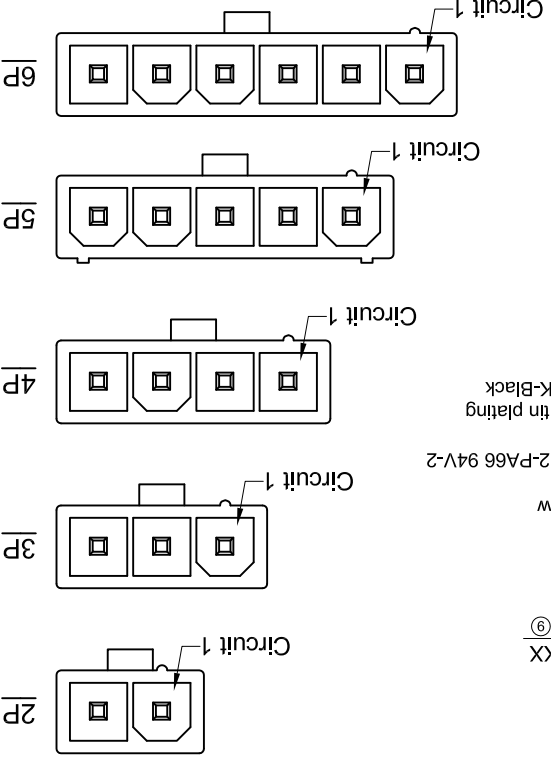
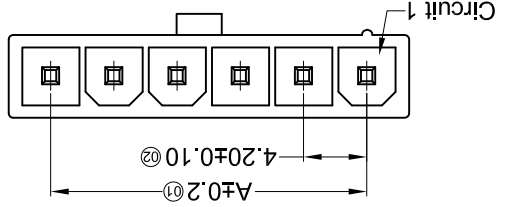
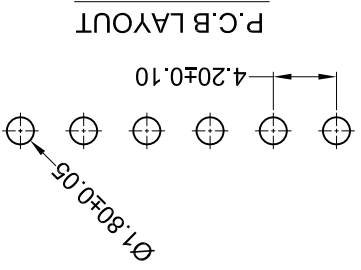
PART NO	Material	Material(Pin)	Finish(Pin)	Suitable XKB Terminal
X9357WV-XXHF-N2SN	Nylon 66 UL 94V-2 Halogen free	Brass	Tin-Plated	9357H
X9357WV-XX-N0V01	Nylon 66 UL 94V-0		Gold-Flash	
X9357WV-XX-N0SN	Nylon 66 UL 94V-0		Tin-Plated	
X9357WV-XX-N2V01	Nylon 66 UL 94V-2		Gold-Flash	
X9357WV-XX-N2SN	Nylon 66 UL 94V-2		Tin-Plated	
X9357WV-XX-N2SN	Nylon 66 UL 94V-2		Tin-Plated	

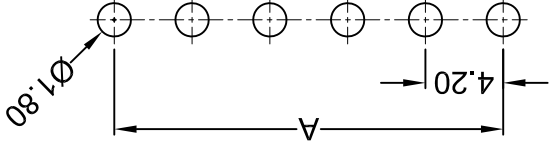
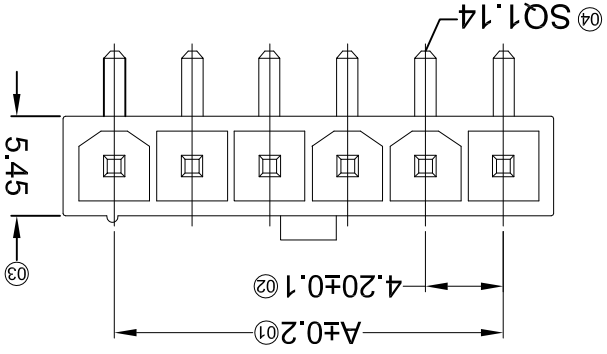
Poles	Dimensions(mm)	
	A	B
02	4.20	9.60
03	8.40	13.80
04	12.60	18.00
05	16.80	22.20
06	21.00	26.40



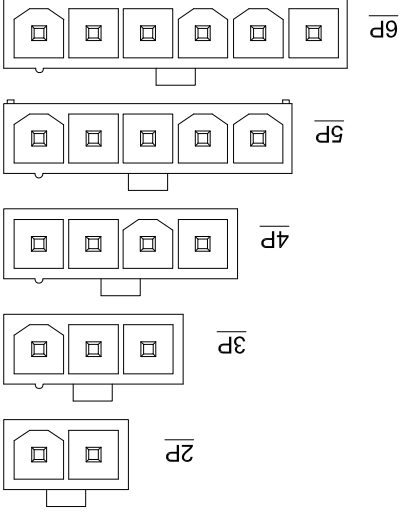
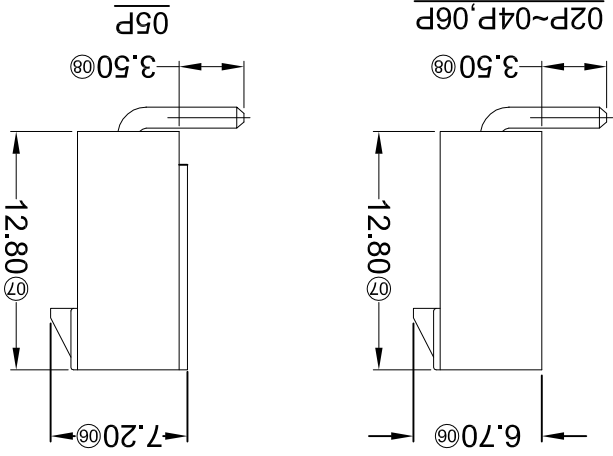
- Specifications :**
- Voltage rating: 600V AC / DC
 - Current rating: 9A AC / DC
 - Withstanding voltage: 1500V AC/minute
 - Temperature range: -25°C~+85°C
 - Insulation resistance: ≥1000MΩ
 - Contact resistance: ≤10mΩ
 - After environmental testing: ≤20mΩ

X9357 W V X- XX X-XX SN XX
 ① Series No.
 ② Category: W-water
 ③ Welding Board Angle: V-180°
 ④ Welding Way: Blank-DIP;
 ⑤ Row No.-Pin No.: XX-Single row
 ⑥ Special NO. HF-Halogen free
 ⑦ Material: N0-PA66 94V-0; N2-PA66 94V-2
 ⑧ Plating Category:
 V01:All Gold Flash; SN-Bright tin plating
 ⑨ Color: Blank-natural color ;BK-Black





Recommended P.C.B Layout
General Tolerance±0.05



■ Specifications :

- Voltage rating: 600V AC / DC
- Current rating: 9A AC / DC
- Withstanding voltage: 1500V AC/minute
- Temperature range: -25°C~+85°C
- Insulation resistance: ≥1000MΩ
- Contact resistance: ≤10mΩ
- After environmental testing : ≤20mΩ

- ①7 Series No.
- ①2 Category: W-water
- ①3 Welding Board Angle: R-Right Angle 90°
- ①4 Welding Way: Blank-DIP
- ①5 Row No.-Pin No.: XX-02P~06P
- ①6 Special NO.:
- ①7 Material: N0-PA66 94V-0; LP-LCP 94V-0; N2-PA66 94V-2; 9T-PA9T 94-0; 6T-PA6T 94V-0
- ①8 Plating Category: SN-Bright tin plating
- ①9 Color: Blank-natural color :

X9357 W R X- XX X-XX SN XX
①1 ①2 ①3 ①4 ①5 ①6 ①7 ①8 ①9

Poles	Dimensions(mm)	
	A	B
02	4.20	9.60
03	8.40	13.80
04	12.60	18.00
05	16.80	22.20
06	21.00	26.40

PART NO	Material	Material(Pin)	Finish(Pin)	Suitable XKB Terminal
X9357WR-XXX-9TSN	Nylon 9T UL 94V-0	Brass	Tin-Plated	X9357H
X9357WR-XXX-6TSN	Nylon 6T UL 94V-0			
X9357WR-XXX-LPSN	LCP UL 94V-0			
X9357WR-XXX-N0SN	Nylon 66 UL 94V-0			
X9357WR-XXX-N2SN	Nylon 66 UL 94V-2			
X9357WR-XXX-9TSN	Nylon 66 UL 94V-2			

For and on behalf of
KKB INDUSTRIAL PRECISION CO., LIMITED
香港星坤工業精密有限公司

REVISIONS
(Authorized Signatures)

MARK	DESCRIPTION	DATE	REVISED	APPROVED	UNSPECIFIED TOLERANCES	APPD	DATE	SIZE: A4	WEIGHT	SHEET	REVISION
△X					±0.2	DWN	DATE	VIEW:	1.0g	1/1	A0
△X					16 > L ≤ 63	CHKD	DATE	UNIT: mm			
△X					4 < L ≤ 16						
					L ≤ 4						
					ANGULAR ±5°	DSND	DATE	SCALE: N/A			
					±0.5						
					±0.3						
					±0.4						
					L > 63						
					±0.5						

MODEL TYPE: X9357WR-XX-XXSN
PART NO.:
4.20mm Crimp Style connectors
DWG NO.:

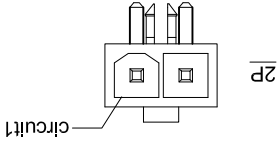
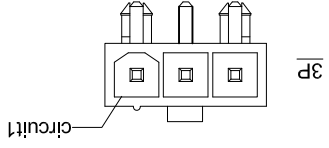
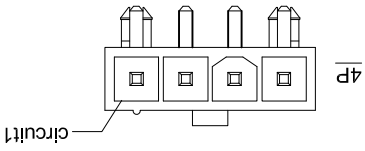
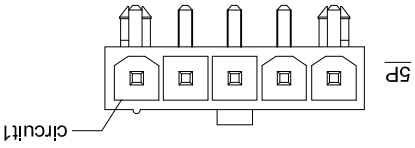
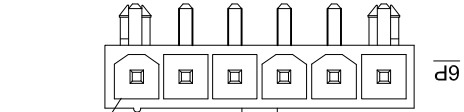
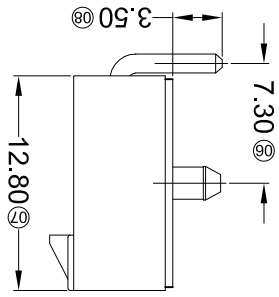
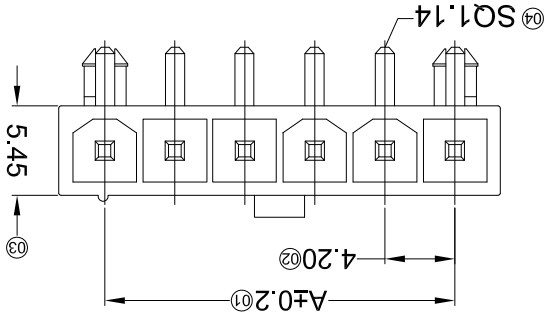
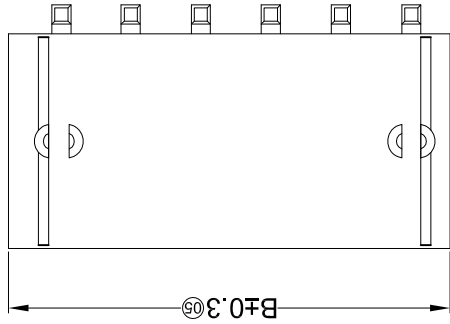
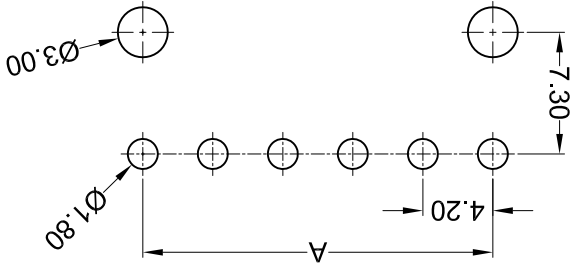
For and on behalf of
XKB INDUSTRIAL PRECISION CO., LIMITED
 香港星坤工業精密有限公司

MARK	DESCRIPTION	DATE	REVISED	APPROVED	UNSPECIFIED TOLERANCES
△ X					±0.5
△ X					L > 63
△ X					16 < L ≤ 63
					±0.4
					4 < L ≤ 16
					±0.3
					L ≤ 4
					±0.2
					ANGULAR
					±5°

DSND	DATE	SCALE: N/A	MODEL TYPE: X9357WR-XXS-XXSNXX
DWN	DATE <td>VIEW: </td> <td>PART NO.: 4.20mm Crimp Style connectors</td>	VIEW:	PART NO.: 4.20mm Crimp Style connectors
CHKD	DATE <td>UNIT: mm <td>DWG NO.:</td> </td>	UNIT: mm <td>DWG NO.:</td>	DWG NO.:
APPD	DATE <td>SIZE: A4 <td></td> </td>	SIZE: A4 <td></td>	

REVISION	SHEET	WEIGHT
A0	1/1	1.0g

Recommended P.C.B Layout
 General Tolerance ±0.05



Poles	A	B
Dimensions (mm)	4.20	9.60
6	21.00	26.40
5	16.80	22.20
4	12.60	18.00
3	8.40	13.80
2	4.20	9.60

PART NO	Material	Material(Pin)	Finish(Pin)	Suitable XKB Terminal
X9357WR-XXS-N2SN	Nylon 66 UL 94V-2	Brass	Tin-Plated	X9357H
X9357WR-XXS-N0SN	Nylon 66 UL 94V-0			
X9357WR-XXS-N2SNBK (Black)	Nylon 66 UL 94V-2			

- X9357 WR X-XX S-XX SN XX
 ① Series No. ② Category: W-water ③ Welding Board Angle: R-Right Angle 90° ④ Welding Way: Blank-DIP ⑤ Row No.-Pin No.: XX-Single row ⑥ Special NO.: S-With positioning column ⑦ Material: N0-PA66 94V-0; N2-PA66 94V-2 ⑧ Plating Category: SN-Bright tin plating; BK-Black ⑨ Color: Blank-natural color; BK-Black

- Specifications:
- Voltage rating: 600V AC / DC
 - Current rating: 9A AC / DC
 - Withstanding voltage: 1500V AC/minute
 - Temperature range: -25°C~+85°C
 - Insulation resistance: ≥1000MΩ
 - Contact resistance: ≤10mΩ
 - After environmental testing: ≤20mΩ

X-ON Electronics

Largest Supplier of Electrical and Electronic Components

Click to view similar products for [Headers & Wire Housings](#) category:

Click to view products by [XKB](#) manufacturer:

Other Similar products are found below :

[95000-104TRLF](#) [10135584-644402LF](#) [DF62W-EP2022PCA](#) [95000-106TRLF](#) [DF62W-2022SCA](#) [DF62W-EP2022PC](#) [2203348](#) [DF62W-2022SC](#) [1084018](#) [1029039](#) [1084017](#) [802-10-012-10-002000](#) [1112640](#) [1112639](#) [891-007-9SS-BST1T](#) [000-34000](#) [0008550134](#) [0009482033](#) [0009507031](#) [57102-F02-18ULF](#) [57102-S06-03LF](#) [57202-S52-04LF](#) [PCN6-15S-2.5E](#) [0039019024](#) [58102-G61-06LF](#) [582553-1](#) [0009485154](#) [0009508121](#) [0022285053](#) [0050291907](#) [018731A](#) [LY20-4P-DT1-P1E-BR](#) [02.125.8002.8](#) [60101931](#) [60598-1 \(Cut Strip\)](#) [M1625-3R/100](#) [61062-3](#) [61082-181009](#) [CSU011177004](#) [636-1427](#) [638009-1](#) [641938-9](#) [641991-4](#) [644168-1](#) [644827-2](#) [647662-1](#) [65039-019ELF](#) [65692-001LF](#) [65781-018](#) [65781-047](#)