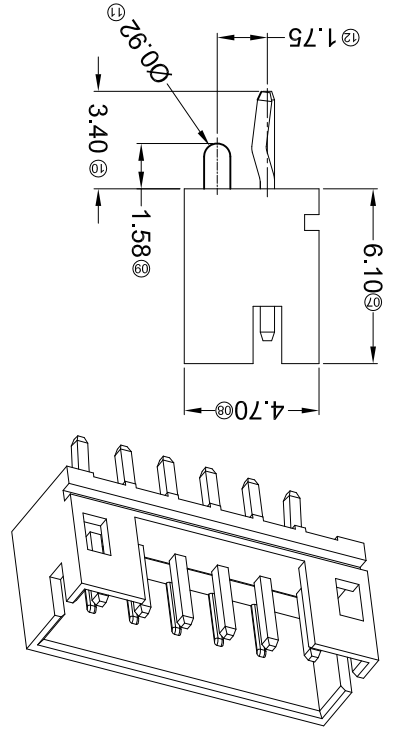
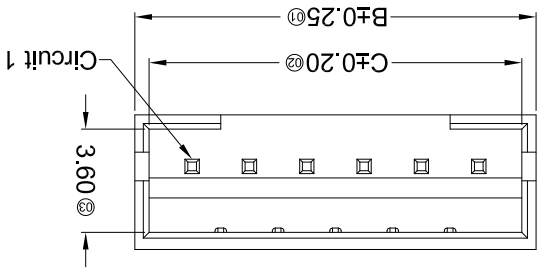
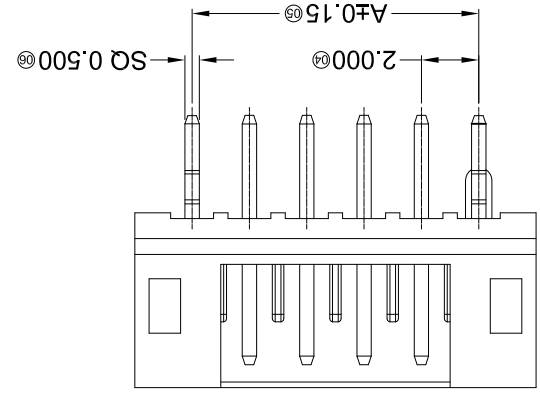
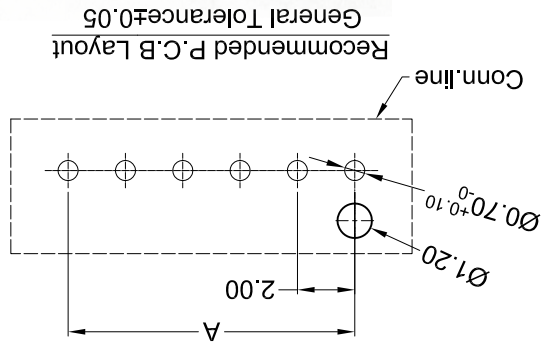




*For and on behalf of*  
**XKB INDUSTRIAL PRECISION CO., LIMITED**  
 香港星坤工業精密有限公司

MARK	DESCRIPTION	REVISIONS			UNSPECIFIED TOLERANCES		
		DATE	REVISED	APPROVED	DATE	APPROVED	UNSPECIFIED TOLERANCES
△X						L > 63	±0.5
△X						16 > L ≤ 63	±0.4
△X						4 < L ≤ 16	±0.3
△X						L ≤ 4	±0.2
						ANGULAR	±5°

<b>XKB INDUSTRIAL PRECISION CO., LIMITED</b>			
DNSD	DATE	SCALE: N/A	MODEL TYPE: 2016WV-XXKS-4TSN
DWN	DATE	VIEW:	PART NO.: 2016WV-XXKS-4TSN
CHKD	DATE	UNIT: mm	DWG NO.: 2.00 mm Crimp Style Connectors
APPD	DATE	SIZE: A4	WEIGHT: 1.0g
			REVISION SHEET 1/1
			REVISION A0



PART NO	Material	Material(Pin)	Finish(Pin)	Suitable XKB Terminal
X2016WV-XXKS-4TSN	LCP UL 94V-0	Brass	Tin-Plated	X2016H

Poles	Dimensions (mm)			Poles	Dimensions (mm)		
	A	B	C		A	B	C
02	2.00	6.00	5.00	09	16.00	20.00	19.00
03	4.00	8.00	7.00	10	18.00	22.00	21.00
04	6.00	10.00	9.00	11	20.00	24.00	23.00
05	8.00	12.00	11.00	12	22.00	26.00	25.00
06	10.00	14.00	13.00	13	24.00	28.00	27.00
07	12.00	16.00	15.00	14	26.00	30.00	29.00
08	14.00	18.00	17.00	15	28.00	32.00	31.00

- ① Series No.**  
 X2016 W V X-XX KS-4T SN XX
- ② Category:** W-WAFER  
**③ Welding Board Angle:** V-Straight 180°  
**④ Welding Way:** Blank-DIP  
**⑤ Row No.-Pin No.:** XX-02P~20P  
**⑥ Plug the Pin & Special No.:** K-With kink,S-With Post;  
**⑦ Material:** 4T-PA4T 94V-0;  
**⑧ Plating Category:** SN-Bright Tin Plating  
**⑨ Color:** Blank-Natural Color;

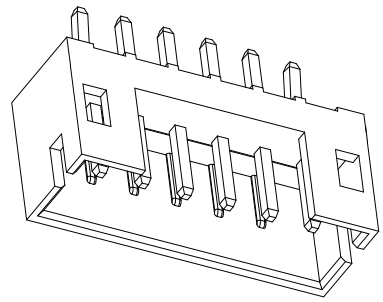
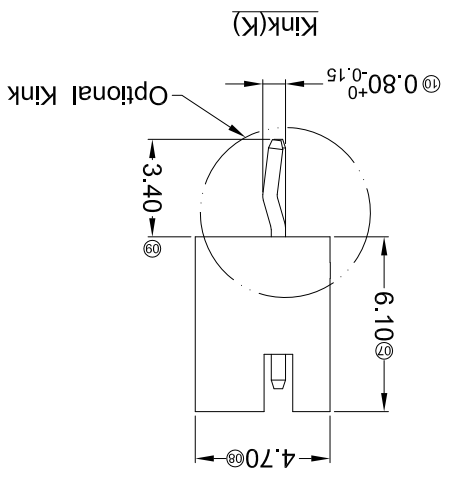
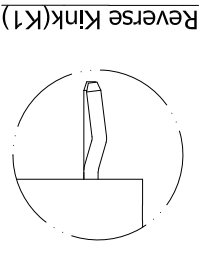
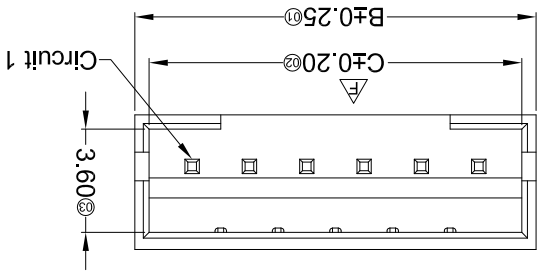
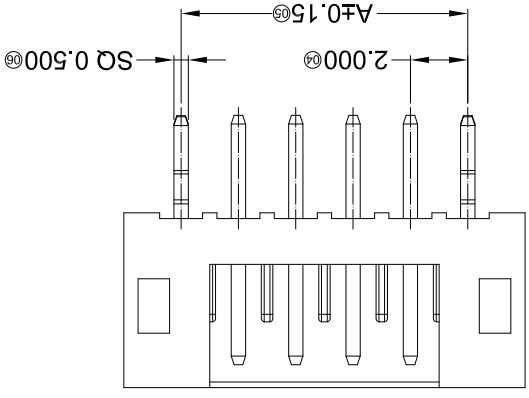
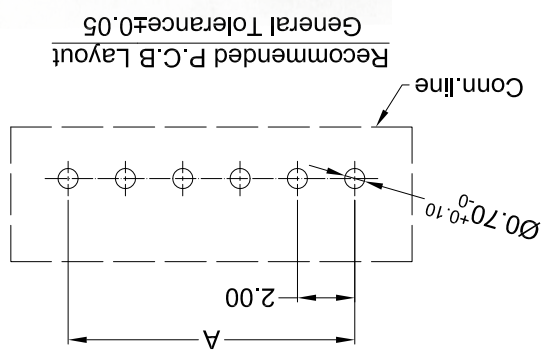
- Specifications :**
- Voltage rating: 100V AC / DC
  - Current rating: 2A AC / DC
  - Withstanding voltage: 800V AC/minute
  - Temperature range: -25°C~+85°C
  - Insulation resistance: ≥1000MΩ
  - Contact resistance: ≤10mΩ
  - After environmental testing: ≤20mΩ

For and on behalf of  
**KXB INDUSTRIAL PRECISION CO., LIMITED**  
 香港星坤工業精密有限公司

MARK	DESCRIPTION	REVISIONS			UNSPECIFIED TOLERANCES
		DATE	REVISED	APPROVED	
△ X					L > 63
△ X					16 > L ≤ 63
△ X					4 < L ≤ 16
△ X					L ≤ 4
					ANGULAR
					± 5°

REVISION		WEIGHT	KXB INDUSTRIAL PRECISION CO., LIMITED	
NO.	DESCRIPTION	1.0g	DATE	SIZE: A4
A0		1/1		

DNSD	DATE	SCALE: N/A	MODEL TYPE: X2016WV-XXKX-XXXXXX
DWN	DATE	VIEW:	PART NO.:
CHKD	DATE	UNIT: mm	DWG NO.:
APPD	DATE	DATE	2.00 mm Crimp Style Connectors



PART NO	Material	Material(Pin)	Finish(Pin)	Suitable KXB Terminal
X2016WV-XXKX-46SNVY	Nylon 46 UL 94V-0 Gray	Brass	Tin-Plated	X2016H
X2016WV-XXKX-N0V01	Nylon 66 UL 94V-0		Gold-Flash	
X2016WV-XXKX-N0SN	Nylon 66 UL 94V-0		Tin-Plated	

Poles	Dimensions (mm)			Poles	Dimensions (mm)		
	A	B	C		A	B	C
02	2.00	6.00	4.80	09	16.00	20.00	18.80
03	4.00	8.00	6.80	10	18.00	22.00	20.80
04	6.00	12.00	8.80	11	22.00	24.00	22.80
05	8.00	16.00	10.80	12	24.00	26.00	24.80
06	10.00	20.00	12.80	13	26.00	28.00	26.80
07	12.00	24.00	14.80	14	28.00	30.00	28.80
08	14.00	28.00	16.80	15	30.00	32.00	30.80

- ① Series No.  
 ② Category: W-WAFER  
 ③ Welding Board Angle: V-Straight 180°  
 ④ Welding Way: Blank-DIP  
 ⑤ Row No.-Pin No.: XX-02P~20P  
 ⑥ Plug the Pin & Special No.: K-Kink; K1-Reverse Kink;  
 ⑦ Material: 46-PA46 94V-0; N0-PA66 94V-0  
 ⑧ Plating Category: SN-Bright Tin Plating; V01-Gold Flash  
 ⑨ Color: Blank-Natural Color; GY-Gray
- X2016 W V X-XX KX -N0 SN XX  
 ① ② ③ ④ ⑤ ⑥ ⑦ ⑧ ⑨

- Specifications:
- Voltage rating: 100V AC / DC
  - Current rating: 2A AC / DC
  - Withstanding voltage: 800V AC/minute
  - Temperature range: -25°C~+85°C
  - Insulation resistance: ≥1000MΩ
  - Contact resistance: ≤10mΩ
  - After environmental testing: ≤20mΩ

For and on behalf of  
**XKB INDUSTRIAL PRECISION CO., LIMITED**  
 香港星坤工業精密有限公司

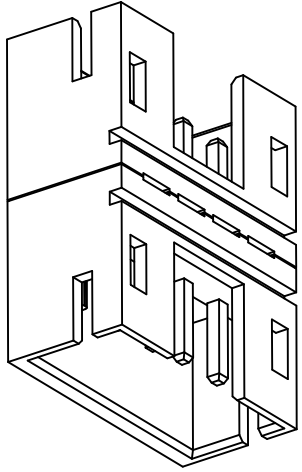
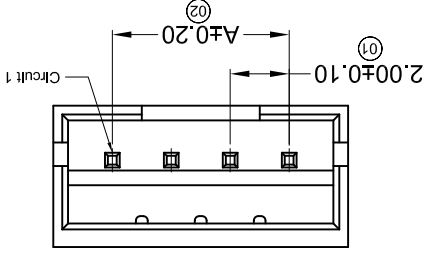
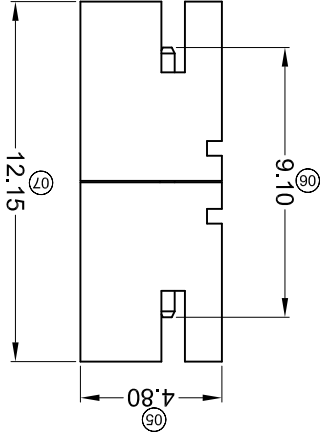
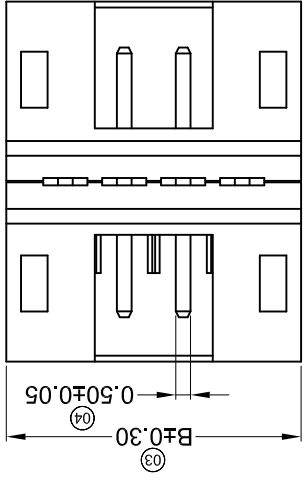
MARK	DESCRIPTION	REVISIONS			UNSPECIFIED TOLERANCES	
		DATE	REVISED	APPROVED	L > 63	± 0.5
△ X					16 < L ≤ 63	± 0.4
△ X					4 < L ≤ 16	± 0.3
△ X					L ≤ 4	± 0.2
					ANGULAR	± 5°

REVISION		WEIGHT	XKB INDUSTRIAL PRECISION CO., LIMITED	
NO.	DESCRIPTION	1.0g	DATE	SIZE: A4
AO		1/1		

DNSD	DATE	SCALE: N/A	MODEL TYPE: 2016WV-XXH2-N0SN
DWN	DATE	VIEW:	PART NO.:
CHKD	DATE	UNIT: mm	DWG NO.:
APPD	DATE	DATE	2.00 mm Crimp Style Connector

PART NO	Material	Material(Pin)	Finish(Pin)	Suitable XKB Terminal	Qty/Bag
X2016WV-XXH2-N0SN	Nylon 66 UL 94V-0	Brass	Tin-Plated	X2016H	1,000Pcs



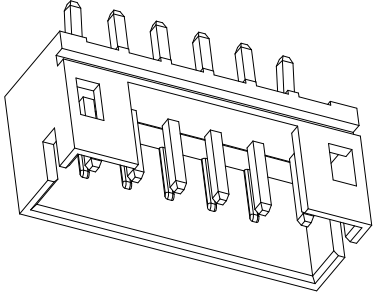
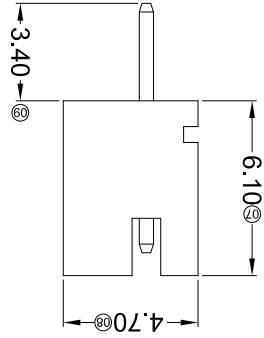
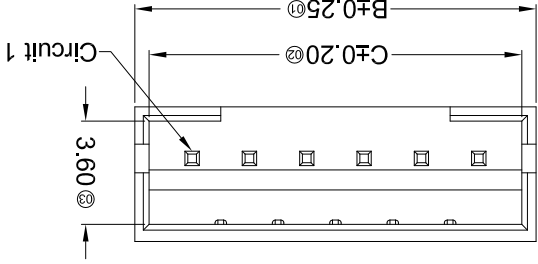
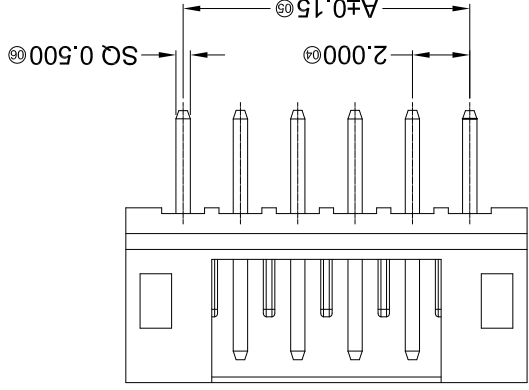
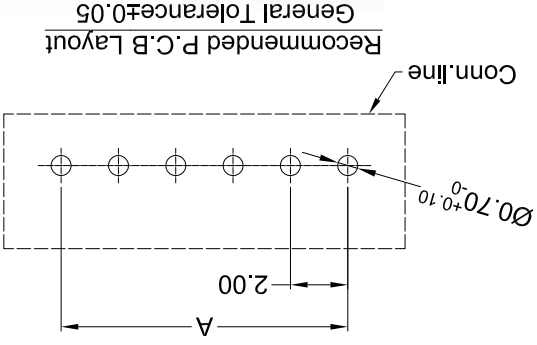
X2016 W V X-XX H2-N0 SN XX

① Series No.	② Category: W-WAFER	③ Welding Board Angle: V-180°; R-90°	④ Welding Way: Blank-DIP; S-SMT	⑤ Row No.-Pin No.: XX-Single Row; 2*XX-Double Row	⑥ Plug the Pin & Special No.: H2-Double sided insert	⑦ Material: N0-PA66 94V-0; 6T-PA6T 94V-0; 46-PA46	⑧ Plating Category: G**-Gold Plated Contact	V**- All Gold-Plated	01-Gold Flash 02-2u" 03-3u"	05-5u" 10-10u" 15-15u"	SN-Bright Tin Plating (70-120u")	SN1-Bright Tin Plating (120u" Min).	0-No Plating Material	SW- Fog Tin Plating	HS-Hight temperature Tin	⑨ Color: Blank-Natural Color		
02	2.00	6.00	03	4.00	8.00	04	6.00	10.00	05	8.00	12.00	06	10.00	14.00	16.00	07	12.00	16.00
03	4.00	8.00	04	6.00	10.00	05	8.00	12.00	06	10.00	14.00	16.00	07	12.00	16.00	08	14.00	18.00
04	6.00	10.00	05	8.00	12.00	06	10.00	14.00	07	12.00	16.00	08	14.00	18.00	09	16.00	20.00	
05	8.00	12.00	06	10.00	14.00	07	12.00	16.00	08	14.00	18.00	09	16.00	20.00	10	18.00	22.00	
06	10.00	14.00	07	12.00	16.00	08	14.00	18.00	09	16.00	20.00	10	18.00	22.00	11	20.00	24.00	
07	12.00	16.00	08	14.00	18.00	09	16.00	20.00	10	18.00	22.00	11	20.00	24.00	12	22.00	26.00	
08	14.00	18.00	09	16.00	20.00	10	18.00	22.00	11	20.00	24.00	12	22.00	26.00	13	24.00	28.00	
09	16.00	20.00	10	18.00	22.00	11	20.00	24.00	12	22.00	26.00	13	24.00	28.00	14	26.00	30.00	
10	18.00	22.00	11	20.00	24.00	12	22.00	26.00	13	24.00	28.00	14	26.00	30.00	15	28.00	32.00	
11	20.00	24.00	12	22.00	26.00	13	24.00	28.00	14	26.00	30.00	15	28.00	32.00	16	30.00	34.00	
12	22.00	26.00	13	24.00	28.00	14	26.00	30.00	15	28.00	32.00	16	30.00	34.00	17	32.00	36.00	
13	24.00	28.00	14	26.00	30.00	15	28.00	32.00	16	30.00	34.00	17	32.00	36.00	18	34.00	38.00	
14	26.00	30.00	15	28.00	32.00	16	30.00	34.00	17	32.00	36.00	18	34.00	38.00	19	36.00	40.00	
15	28.00	32.00	16	30.00	34.00	17	32.00	36.00	18	34.00	38.00	19	36.00	40.00	20	38.00	42.00	

- Specifications:**
- Voltage rating: 100V AC / DC
  - Current rating: 2A AC / DC
  - Withstanding voltage: 800V AC/minute
  - Temperature range: -25°C~+85°C
  - Insulation resistance: ≥1000MΩ
  - Contact resistance: ≤10mΩ
  - After environmental testing: ≤20mΩ

For and on behalf of  
**KXB INDUSTRIAL PRECISION CO., LIMITED**  
 香港星坤工業精密有限公司

MARK	DESCRIPTION	DATE	REVISED	APPROVED	UNSPECIFIED TOLERANCES
△ X					L > 63
△ X					16 > L ≤ 63
△ X					4 < L ≤ 16
					L ≤ 4
					ANGULAR
					± 5°



PART NO	Material	Material(Pin)	Finish(Pin)	Suitable XKB Terminal
X2016WV-XX-6TSN	Nylon 6T UL94V-0	Brass	Tin-Plated	X2016H
X2016WV-XX-46SN	Nylon 46 UL 94V-0			
X2016WV-XX-N0SN	Nylon 66 UL 94V-0			

Poles	Dimensions (mm)			Poles	Dimensions (mm)		
	A	B	C		A	B	C
02	2.00	6.00	5.00	09	16.00	20.00	19.00
03	4.00	8.00	7.00	10	18.00	22.00	21.00
04	6.00	10.00	9.00	11	20.00	24.00	23.00
05	8.00	12.00	11.00	12	22.00	26.00	25.00
06	10.00	14.00	13.00	13	24.00	28.00	27.00
07	12.00	16.00	15.00	14	26.00	30.00	29.00
08	14.00	18.00	17.00	15	28.00	32.00	31.00

- ① Series No. X2016 W V X-XX XX -N0 SN XX  
 ② Category: W-WAFER  
 ③ Welding Board Angle: V-Straight 180°  
 ④ Welding Way: Blank-DIP  
 ⑤ Row No.-Pin No.: XX-02P~20P  
 ⑥ Plug the Pin & Special No.: Blank-Without Kink  
 ⑦ Material: 46 -PA46 94V-0 ; N0-PA66 94V-0 ;  
 ⑧ Plating Category: SN-Bright Tin Plating  
 ⑨ Color : Blank-Natural Color ; GY-Gray

- Specifications :
- Voltage rating: 100V AC / DC
  - Current rating: 2A AC / DC
  - Withstanding voltage: 800V AC/minute
  - Temperature range: -25°C~+85°C
  - Insulation resistance: ≥1000MΩ
  - Contact resistance: ≤10mΩ
  - After environmental testing: ≤20mΩ

DSND	DATE	SCALE: N/A	MODEL TYPE: X2016WV-XX-XSSN
DWN	DATE <td>VIEW: </td> <td>PART NO.:</td>	VIEW:	PART NO.:
CHKD	DATE <td>UNIT: mm</td> <td>DWG NO.:</td>	UNIT: mm	DWG NO.:
APPD	DATE <td>SIZE: A4</td> <td></td>	SIZE: A4	

REVISION	SHEET	WEIGHT
A0	1/1	1.0g

For and on behalf of  
**XKB INDUSTRIAL PRECISION CO., LIMITED**  
 香港星坤工業精密有限公司

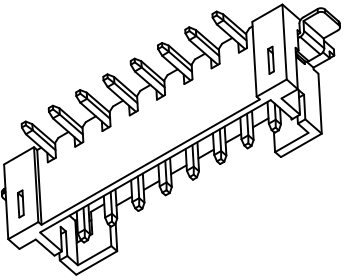
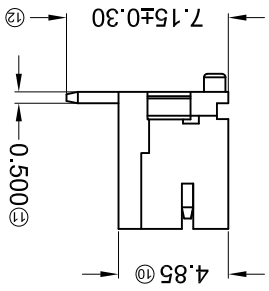
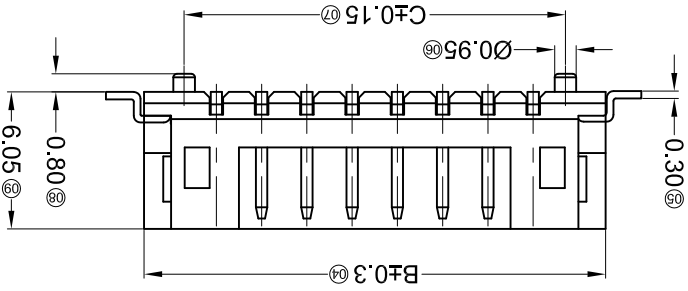
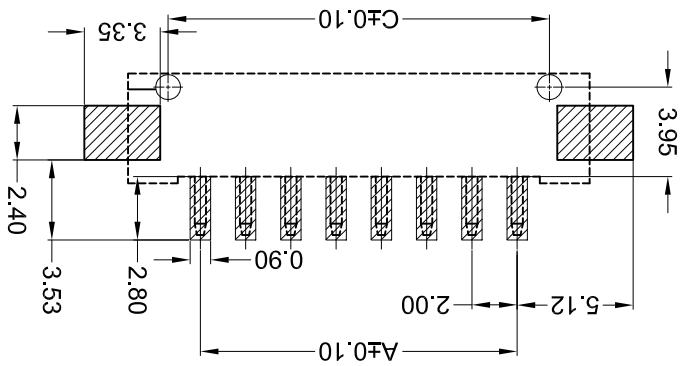
MARK	DESCRIPTION	DATE	REVISD	APPROVED	UNSPCIFIED TOLERANCES
△ X					L > 63 ±0.5
△ X					16 < L ≤ 63 ±0.4
△ X					4 < L ≤ 16 ±0.3
					L ≤ 4 ±0.2
					ANGULAR ±5°

REVISIONS  
 Authorized Signature(s)

DSND	DATE	SCALE: N/A	MODEL TYPE: X2016WVS-XXS-46SN
DWN	DATE <td>VIEW: </td> <td>PART NO.:</td>	VIEW:	PART NO.:
CHKD	DATE <td>UNIT: mm</td> <td>DWG NO.:</td>	UNIT: mm	DWG NO.:
APPD	DATE <td>SIZE: A4</td> <td></td>	SIZE: A4	

WEIGHT	1.0g
SHEET	1/1
REVISION	A0

Recommended P.C.B Layout  
 General Tolerance ±0.05



Poles	Dimensions (mm)			Poles	Dimensions (mm)		
	A	B	C		A	B	C
02	2.00	8.40	4.85	09	16.00	22.40	18.85
03	4.00	10.40	6.85	10	18.00	24.40	20.85
04	6.00	12.40	8.85	11	20.00	26.40	22.85
05	8.00	14.40	10.85	12	22.00	28.40	24.85
06	10.00	16.40	12.85	13	24.00	30.40	26.85
07	12.00	18.40	14.85	14	26.00	32.40	28.85
08	14.00	20.40	16.85	15	28.00	34.40	30.85

PART NO	Material	Material (Pin and Solder Tabs)	Thin-Plated	Suitable XKB Terminal
X2016WVS-XXS-46SN	PA46 UL 94V-0	Brass		X2016H

- ① Series No.
- ② Category: W-WAFER
- ③ Welding Board Angle: V-Straight 180°
- ④ Welding Way: S-SMT
- ⑤ Row No.-Pin No.: XX-02P~20P
- ⑥ Plug the Pin & Special No.:
- ⑦ S-With positioning column
- ⑧ Material: 46-PA46 94V-0;
- ⑨ Plating Category: SN-Bright Tin Plating
- ⑩ Color: Blank-Natural Color

X2016 W V S-XX S-46 SN XX

- Specifications:
- Voltage rating: 100V AC / DC
  - Current rating: 2A AC / DC
  - Withstanding voltage: 800V AC/minute
  - Temperature range: -25°C~+85°C
  - Insulation resistance: ≥1000MΩ
  - Contact resistance: ≤10mΩ
  - After environmental testing: ≤20mΩ



For and on behalf of  
**KXB INDUSTRIAL PRECISION CO., LIMITED**  
 香港星坤工業精密有限公司

MARK	DESCRIPTION	DATE	REVISD	APPROVED	UNSPECIFIED TOLERANCES
△ X					L > 63
△ X					16 > L ≤ 63
△ X					4 < L ≤ 16
△ X					L ≤ 4
					ANGULAR
					±5°

REVISIONS	DATE	REVISD	APPROVED	UNSPECIFIED TOLERANCES
				L > 63
				16 > L ≤ 63
				4 < L ≤ 16
				L ≤ 4
				ANGULAR
				±5°

DATE	SCALE: N/A	MODEL TYPE:
		2016WR-XXK-N0SN

DATE	VIEW:	PART NO.:
	VIEW:	2016WR-XXK-N0SN

DATE	UNIT: mm	DWG NO.:
	UNIT: mm	2.00mm Crimp Style Connectors

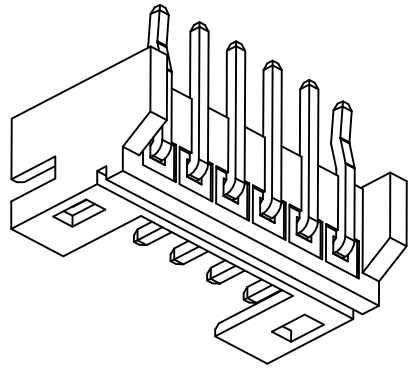
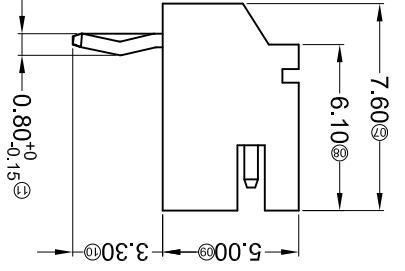
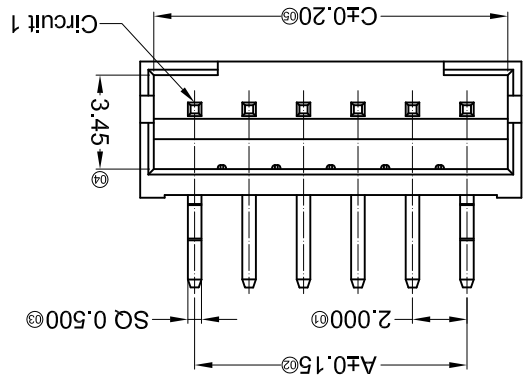
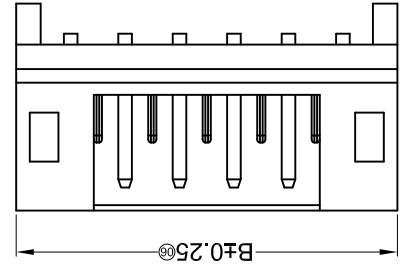
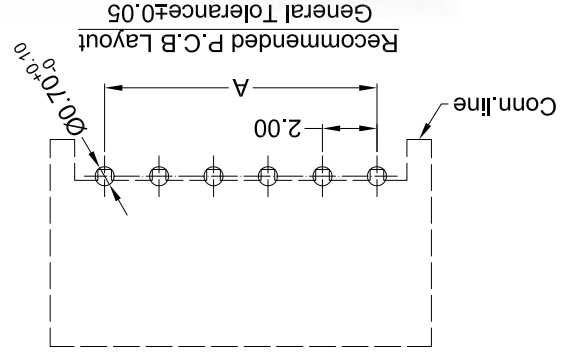
DATE	SIZE: A4	WEIGHT	REVISION
	SIZE: A4	1.0g	1/1

DATE	APPD	REVISION
	APPD	A0

DATE	CHKD	REVISION
	CHKD	

DATE	DWN	REVISION
	DWN	

DATE	DWND	REVISION
	DWND	



PART NO	Material	Material (Pn)	Finish (Pn)	Suitable XKB Terminal
X2016WR-XXK-N0SN	Nylon 66 UL 94V-0	Brass	Tin-Plated	X2016H

Poles	Dimensions (mm)	Poles	Dimensions (mm)
A	2.00	A	16.00
B	6.00	B	20.00
C	5.00	C	19.00
A	14.00	A	30.00
B	18.00	B	32.00
C	17.00	C	31.00
A	10.00	A	27.00
B	13.00	B	28.00
C	13.00	C	27.00
A	8.00	A	25.00
B	11.00	B	26.00
C	11.00	C	25.00
A	8.00	A	36.00
B	10.00	B	40.00
C	10.00	C	39.00
A	4.00	A	38.00
B	6.00	B	37.00
C	6.00	C	37.00
A	12.00	A	35.00
B	15.00	B	36.00
C	15.00	C	35.00
A	12.00	A	41.00
B	15.00	B	42.00
C	15.00	C	41.00

X2016 W R X-XX K -N0 SN XX

① Series No.

② Category: W-WAFER

③ Welding Board Angle: R-Right Angle 90°

④ Welding Way: Blank-DIP

⑤ Row No.-Pin No.: XX-02P~20P

⑥ Plug the Pin & Special No.: K-kink, DIP=3.30mm

⑦ Material: N0-PA66 94V-0

⑧ Plating Category: SN-Right Tin Plating

⑨ Color: Blank-Natural Color;

- Specifications:
- Voltage rating: 100V AC / DC
- Current rating: 2A AC / DC
- Withstanding voltage: 800V AC/minute
- Temperature range: -25°C~+85°C
- Insulation resistance: ≥1000MΩ
- Contact resistance: ≤10mΩ
- After environmental testing: ≤20mΩ

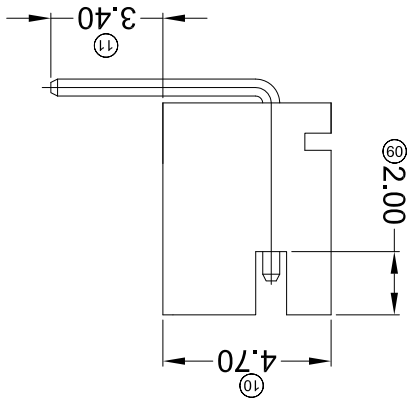
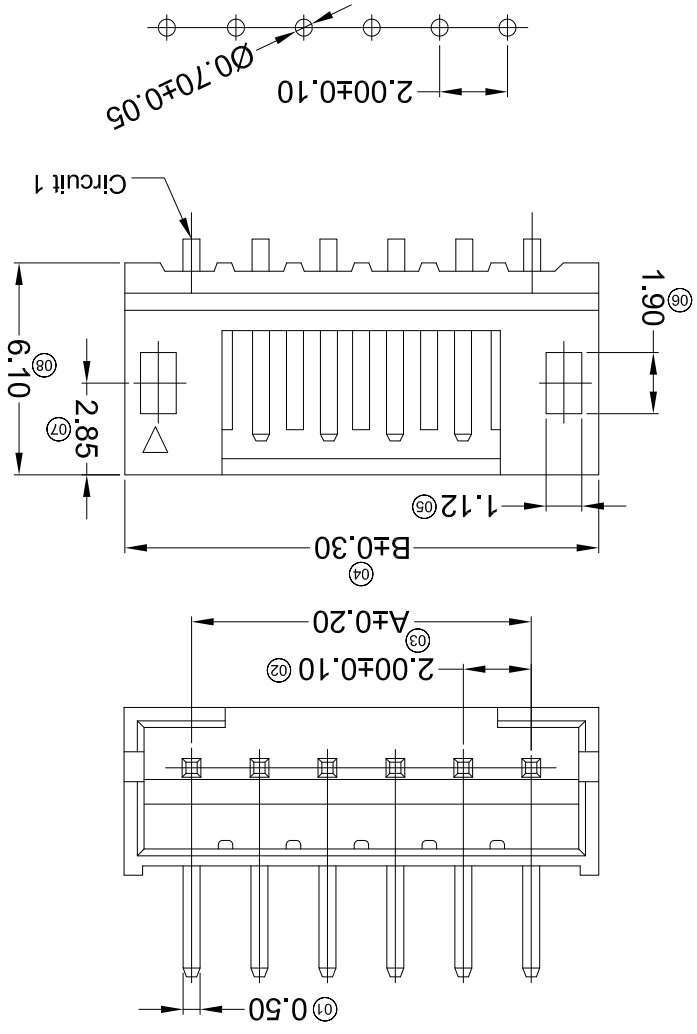


For and on behalf of  
XKB INDUSTRIAL PRECISION CO., LIMITED  
香港星坤工業精密有限公司

MARK	DESCRIPTION	REVISIONS			UNSPECIFIED TOLERANCES		
		DATE	REVISED	APPROVED	L > 63	16 < L ≤ 63	± 0.5
△ X							
△ X							
△ X							

XKB INDUSTRIAL PRECISION CO., LIMITED		APPD		CHKD		DWN		DSND	
WEIGHT	SHEET	DATE	DATE	DATE	DATE	DATE	DATE	SCALE: N/A	MODEL TYPE:
1.0g	1/1								X2016WR-XXB-N0SN
REVISION A0		SIZE: A4		UNIT: mm		VIEW:		PART NO.: 2.00 mm Crimp Style Connector	
		DWG NO.:		PART NO.:					

Recommend PCB Layout



PART NO	Material	Material(Pin)	Finish(Pin)	Suitable XKB Terminal	Q'ty/Bag
X2016WR-XXB-N0SN	Nylon 66 UL 94V-0	Brass	Tin-Plated	XZ2016H	1,000Pcs

Poles	A	B	Dimensions (mm)
02	2.00	6.00	
03	4.00	8.00	
04	6.00	10.00	
05	8.00	12.00	
06	10.00	14.00	
07	12.00	16.00	
08	14.00	18.00	
09	16.00	20.00	
10	18.00	22.00	
11	20.00	24.00	
12	22.00	26.00	
13	24.00	28.00	
14	26.00	30.00	
15	28.00	32.00	
16	30.00	34.00	
17	32.00	36.00	
18	34.00	38.00	
19	36.00	40.00	
20	38.00	42.00	

- ① Series No.
- ② Category: W-WAFER
- ③ Welding Board Angle: V-180°; R-90°
- ④ Welding Way: Blank-DIP; S-SMT
- ⑤ Row No.-Pin No.: XX-Single Row; 2\*XX-Double Row
- ⑥ Plug the Pin & Special No.:
- ⑦ Material: NO -PA66 94V-0
- ⑧ Plating Category: G\*\*-Gold Plated Contact
- V\*\* - All Gold-Plated
- 01-Gold Flash 02-2u" 03-3u"
- 05-5u" 10-10u" 15-15u"
- SN1-Bright Tin Plating (70-120u")
- SN1-Bright Tin Plating (120u" Min).
- 0-No Plating Material
- SW-Fog Tin Plating
- HS-Hight temperature Tin
- ⑨ Color: Blank-Natural Color

- Specifications :
- Voltage rating: 100V AC / DC
  - Current rating: 2A AC / DC
  - Withstanding voltage: 800V AC/minute
  - Temperature range: -25°C~+85°C
  - Insulation resistance: ≥1000MΩ
  - Contact resistance: ≤10mΩ
  - After environmental testing: ≤20mΩ

For and on behalf of  
**XKB INDUSTRIAL PRECISION CO., LIMITED**  
 香港星坤工業精密有限公司  
 REVISIONS  
 Authorized Signature(s)

MARK	DESCRIPTION	DATE	REVISED	APPROVED	UNSPECIFIED TOLERANCES
△ X					L > 63
△ X					16 > L ≤ 63
△ X					4 < L ≤ 16
△ X					L ≤ 4
					ANGULAR ±5°

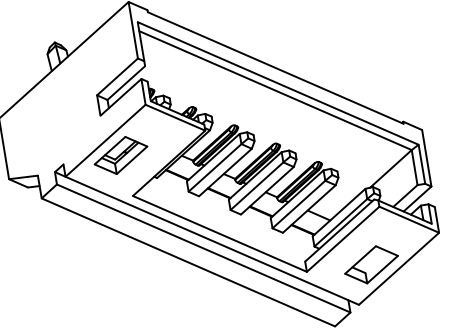
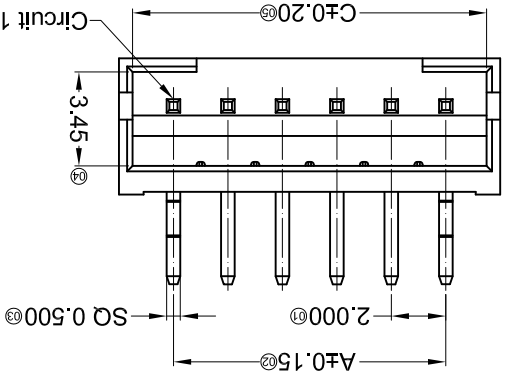
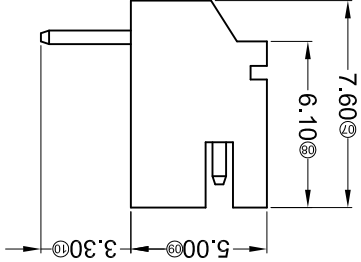
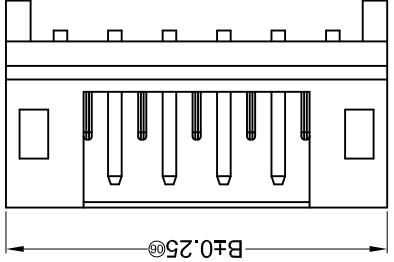
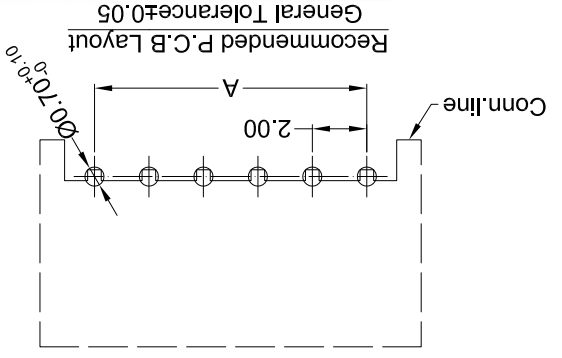
REVISION	SHEET	WEIGHT	1.0g	8
A0	1/1			

DATE	SCALE: N/A	MODEL TYPE:	2016WR-XX-NOSN	7

DATE	VIEW:	PART NO.:	2016WR-XX-NOSN	6

DATE	UNIT: mm	DWG NO.:	2.00 mm Crimp Style Connectors	5

DATE	SIZE: A4	REVISION	A0	4



PART NO	Material	Material(Pin)	Finish(Pin)	Suitable XKB Terminal
X2016WR-XX-NOSN	Nylon 66 UL 94V-0	Brass	Tin-Plated	X2016H

Poles	Dimensions (mm)	Dimensions (mm)	Dimensions (mm)	Dimensions (mm)
A	2.00	6.00	5.00	09
B	4.00	8.00	7.00	10
C	6.00	10.00	9.00	11
	8.00	12.00	11.00	12
	10.00	14.00	13.00	13
	12.00	16.00	15.00	14
	14.00	18.00	17.00	15
	16.00	20.00	18.00	16
	18.00	22.00	19.00	17
	20.00	24.00	20.00	18
	22.00	26.00	21.00	19
	24.00	28.00	22.00	20
	26.00	30.00	23.00	21
	28.00	32.00	24.00	22
	30.00	34.00	25.00	23
	32.00	36.00	26.00	24
	34.00	38.00	27.00	25
	36.00	40.00	28.00	26
	38.00	42.00	29.00	27
	40.00	44.00	30.00	28
	42.00	46.00	31.00	29
	44.00	48.00	32.00	30
	46.00	50.00	33.00	31
	48.00	52.00	34.00	32
	50.00	54.00	35.00	33
	52.00	56.00	36.00	34
	54.00	58.00	37.00	35
	56.00	60.00	38.00	36
	58.00	62.00	39.00	37
	60.00	64.00	40.00	38
	62.00	66.00	41.00	39
	64.00	68.00	42.00	40
	66.00	70.00	43.00	41
	68.00	72.00	44.00	42
	70.00	74.00	45.00	43
	72.00	76.00	46.00	44
	74.00	78.00	47.00	45
	76.00	80.00	48.00	46
	78.00	82.00	49.00	47
	80.00	84.00	50.00	48
	82.00	86.00	51.00	49
	84.00	88.00	52.00	50
	86.00	90.00	53.00	51
	88.00	92.00	54.00	52
	90.00	94.00	55.00	53
	92.00	96.00	56.00	54
	94.00	98.00	57.00	55
	96.00	100.00	58.00	56
	98.00	102.00	59.00	57
	100.00	104.00	60.00	58
	102.00	106.00	61.00	59
	104.00	108.00	62.00	60
	106.00	110.00	63.00	61
	108.00	112.00	64.00	62
	110.00	114.00	65.00	63
	112.00	116.00	66.00	64
	114.00	118.00	67.00	65
	116.00	120.00	68.00	66
	118.00	122.00	69.00	67
	120.00	124.00	70.00	68
	122.00	126.00	71.00	69
	124.00	128.00	72.00	70
	126.00	130.00	73.00	71
	128.00	132.00	74.00	72
	130.00	134.00	75.00	73
	132.00	136.00	76.00	74
	134.00	138.00	77.00	75
	136.00	140.00	78.00	76
	138.00	142.00	79.00	77
	140.00	144.00	80.00	78
	142.00	146.00	81.00	79
	144.00	148.00	82.00	80
	146.00	150.00	83.00	81
	148.00	152.00	84.00	82
	150.00	154.00	85.00	83
	152.00	156.00	86.00	84
	154.00	158.00	87.00	85
	156.00	160.00	88.00	86
	158.00	162.00	89.00	87
	160.00	164.00	90.00	88
	162.00	166.00	91.00	89
	164.00	168.00	92.00	90
	166.00	170.00	93.00	91
	168.00	172.00	94.00	92
	170.00	174.00	95.00	93
	172.00	176.00	96.00	94
	174.00	178.00	97.00	95
	176.00	180.00	98.00	96
	178.00	182.00	99.00	97
	180.00	184.00	100.00	98

- ① Series No.  
 ② Category: W-WAFER  
 ③ Welding Board Angle: R-Right Angle 90°  
 ④ Welding Way: Blank-DIP  
 ⑤ Row No.-Pin No.: XX-02P~20P  
 ⑥ Plug the Pin & Special No.: Blank-Without kink  
 ⑦ Material: NO-PA66 94V-0  
 ⑧ Plating Category: SN-Bright Tin Plating  
 ⑨ Color: Blank-Natural Color;
- X2016 W R X-XX XX -N0 SN XX  
 ① ② ③ ④ ⑤ ⑥ ⑦ ⑧ ⑨

- Specifications:
- Voltage rating: 100V AC / DC
  - Current rating: 2A AC / DC
  - Withstanding voltage: 800V AC/minute
  - Temperature range: -25°C~+85°C
  - Insulation resistance: ≥1000MΩ
  - Contact resistance: ≤10mΩ
  - After environmental testing: ≤20mΩ



For and on behalf of  
**XKB INDUSTRIAL PRECISION CO., LIMITED**  
 香港星坤工業精密有限公司

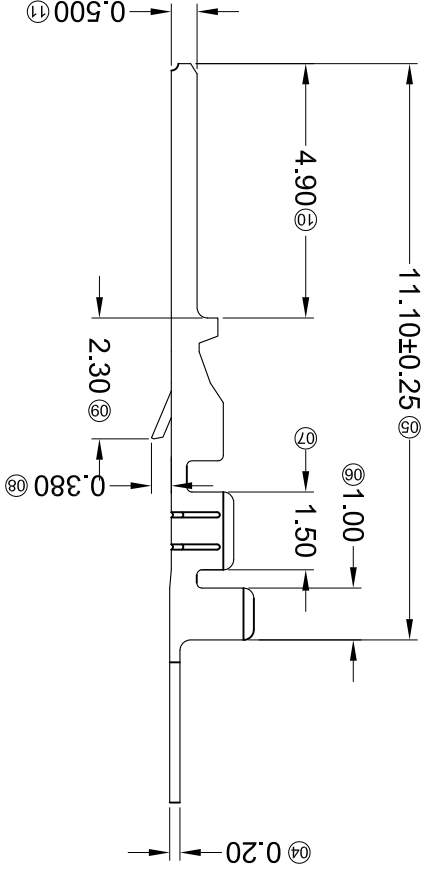
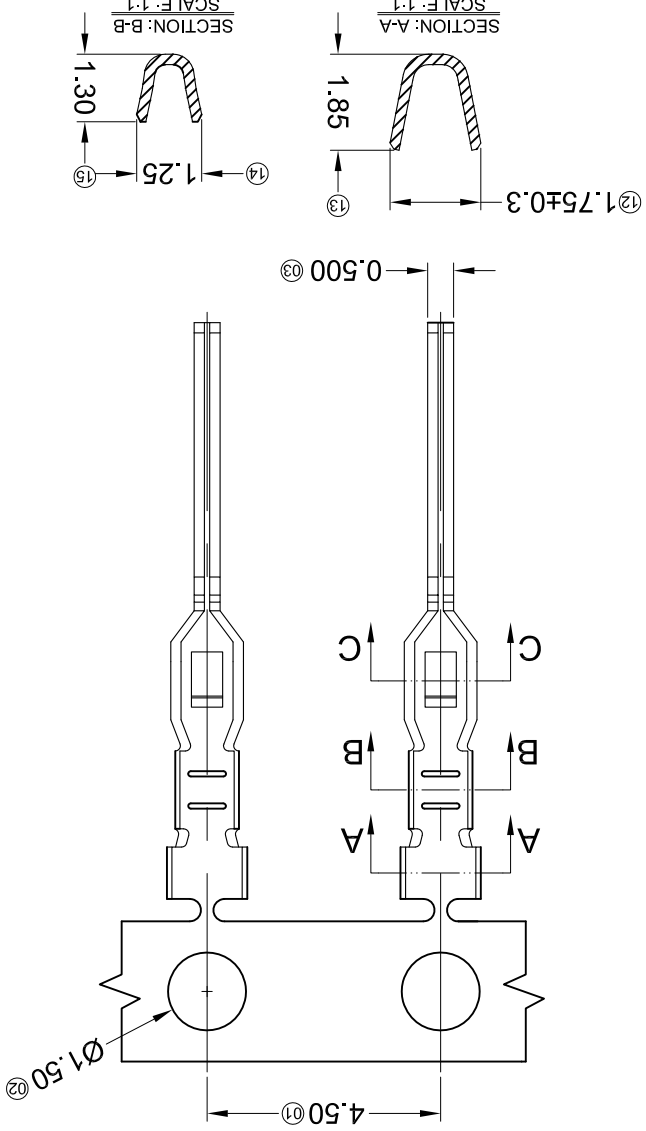
MARK	DESCRIPTION	DATE	REVISED	APPROVED	UNSPECIFIED TOLERANCES
△ X					L > 63 ± 0.5
△ X					16 < L ≤ 63 ± 0.4
△ X					4 < L ≤ 16 ± 0.3
△ X					L ≤ 4 ± 0.2
					ANGULAR ± 5°

REVISIONS  
 Authorized Signature(s)

DSND	DATE	SCALE: N/A	MODEL TYPE: X2016TM-PSN
DWN	DATE <td>VIEW: </td> <td>PART NO.: 2.00 mm Crimp Style Connectors</td>	VIEW:	PART NO.: 2.00 mm Crimp Style Connectors
CHKD	DATE <td>UNIT: mm</td> <td>DWG NO.:</td>	UNIT: mm	DWG NO.:
APPD	DATE <td>SIZE: A4</td> <td>WEIGHT: 1.0g</td>	SIZE: A4	WEIGHT: 1.0g
			SHEET: 1/1
			REVISION: A0

**XKB INDUSTRIAL PRECISION CO., LIMITED**

PART NO	Material	Wire Range	Insulation O.D.	Finish	Suitable XKB Terminal
X2016TM-PSN	Phosphor Bronze	AWG#26-28	1.30mm(Max)	Stamping Before plating:30u" MIN, Nt.70u"Sn	X2016HF
				Stamping Before plating:30u" MIN, Nt.70u"Sn	



X2016 T M-P SN X - X  
 ① ② ③ ④ ⑤ ⑥ ⑦

- ① Series Number
- ② Category: T-terminal
- ③ Shape: M-Male
- ④ Material: P-Phosphor bronze
- ⑤ Plating style: SN-Bright tin plating
- ⑥ Plating method: Blank-Stamping before plating
- ⑦ Mold No./Mark/Special No.

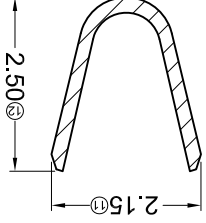
- Specifications :
- Voltage rating: 100V AC / DC
  - Current rating: 2A AC / DC
  - Withstanding voltage: 800V AC/minute
  - Temperature range: -25°C~+85°C
  - Insulation resistance: ≥1000MΩ
  - Contact resistance: ≤10mΩ
  - After environmental testing: ≤20mΩ

*For and on behalf of*  
**KXB INDUSTRIAL PRECISION CO., LIMITED**  
 香港星坤工業精密有限公司

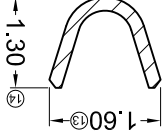
MARK	DESCRIPTION	DATE	REVISED	APPROVED	UNSPECIFIED TOLERANCES
△ X					L > 63 ± 0.5
△ X					16 < L ≤ 63 ± 0.4
△ X					4 < L ≤ 16 ± 0.3
△ X					L ≤ 4 ± 0.2
					ANGULAR ± 5°

REVISION	SHEET	WEIGHT	KXB INDUSTRIAL PRECISION CO., LIMITED		
A0	1/1	1.0g	SIZE: A4	DATE	APPD
			UNIT: mm	DATE	CHKD
			VIEW:	DATE	DWN
			SCALE: N/A	DATE	DSND
MODEL TYPE: X2016T-P-XXXX			PART NO.:		
2.00 mm Crimp Style Connectors			DWG NO.:		

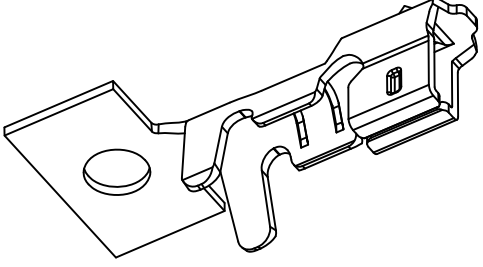
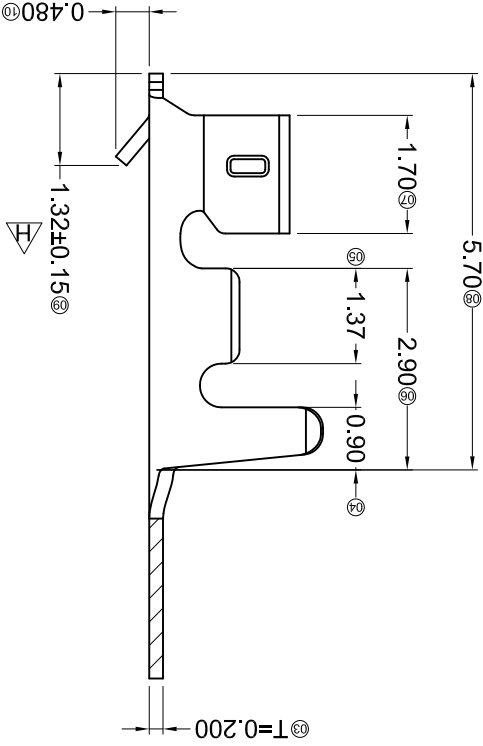
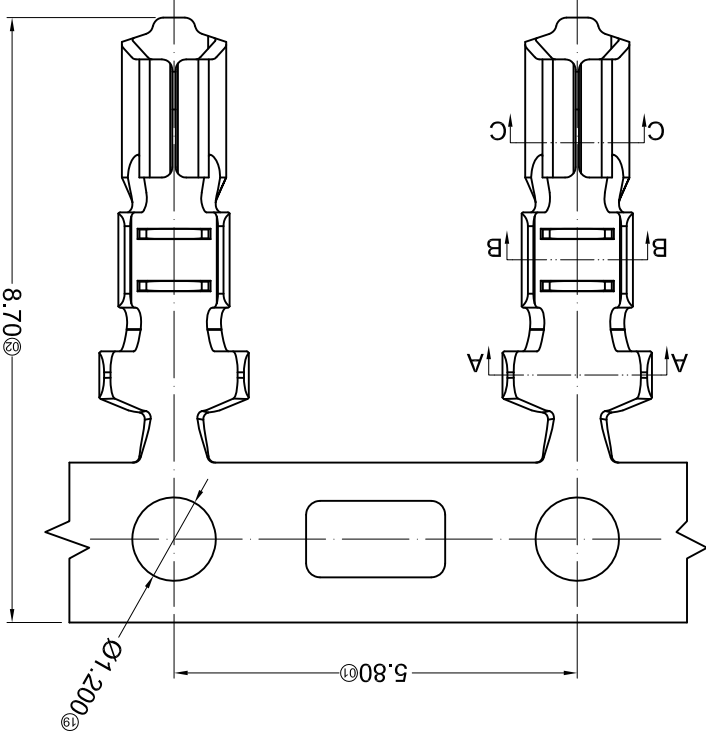
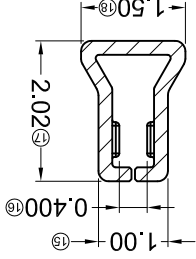
SECTION: A-A  
SCALE: 1:1



SECTION: B-B  
SCALE: 1:1



SECTION: C-C  
SCALE: 1:1



- Specifications :**
- Voltage rating: 100V AC / DC
  - Current rating: 2A AC / DC
  - Withstanding voltage: 800V AC/minute
  - Temperature range: -25°C~+85°C
  - Insulation resistance: ≥1000MΩ
  - Contact resistance: ≤10mΩ
  - After environmental testing: ≤20mΩ

X2016 T X-P XXX X - X

- Series Number
- Category: T-terminal
- Shape: Blank-ordinary
- Material: P-Phosphor bronze
- Plating style: V01-Gold Flash ; SN-Bright tin plating
- Plating method: Blank-stamping before plating
- B-plating before stamping
- Mold No./Mark/Special No.

XPART NO	Material	Wire Range	Insulation O.D.	Finish	XPART NO
X2016T-PV01	Phosphor Bronze	AWG#24-30	1.50mm(Max)	Stamping Before plating:30u" MIN. Nf. 70u"Sn	X2016T-PV01
X2016T-P-SNB	Phosphor Bronze	AWG#24-30	1.50mm(Max)	Plating Before Stamping:10u" MIN. Nf. : 30u"Sn	X2016T-P-SNB
X2016T-P-PSN	Phosphor Bronze	AWG#24-30	1.50mm(Max)	Stamping Before plating:30u" MIN. Nf. 70u"Sn	X2016T-P-PSN
X2016H	Whole Gold ; Gold Flash			Stamping Before plating:30u" MIN. Nf. 70u"Sn	Suitable XKB Terminal

For and on behalf of  
**KXB INDUSTRIAL PRECISION CO., LIMITED**  
 香港星坤工業精密有限公司

REVISIONS  
 Authorized Signatures(s)

MARK	DESCRIPTION	DATE	REVISED	APPROVED	UNSPECIFIED TOLERANCES
△ X					L > 63 ± 0.5
△ X					16 < L ≤ 63 ± 0.4
△ X					4 < L ≤ 16 ± 0.3
△ X					L ≤ 4 ± 0.2
					ANGULAR ± 5°

REVISION	SHEET	WEIGHT	DATE	APPD	DATE	SCALE: N/A	MODEL TYPE:
A0	1/1	1.0g					X2016H-XX-N0XX

DATE	VIEW:	UNIT: mm	SIZE: A4

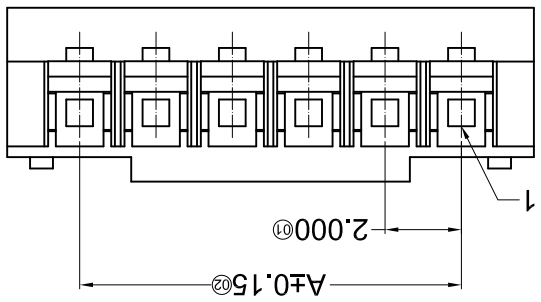
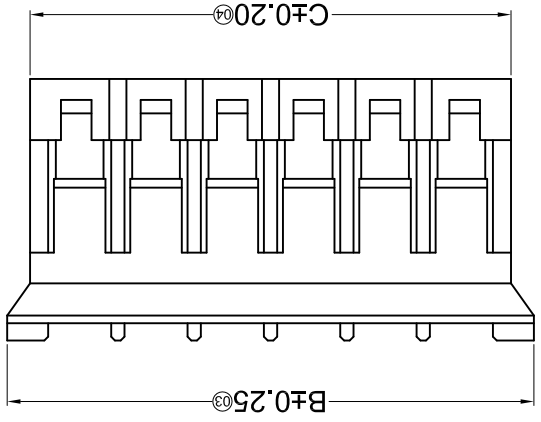
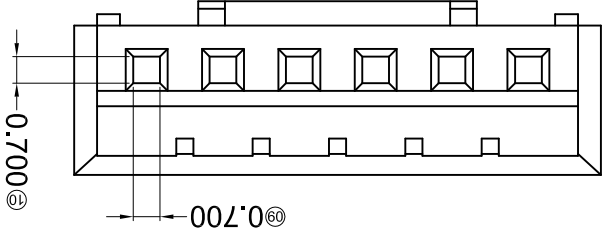
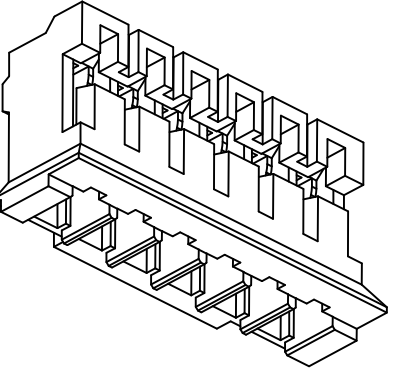
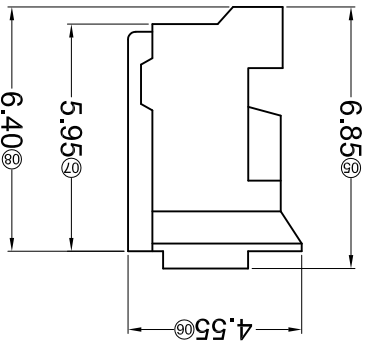
DATE	DATE	DATE	CHKD	APPD

DATE	SCALE: N/A	MODEL TYPE:	PART NO.:	DWG NO.:

PART NO	Material	Suitable XKB Terminal	Suitable XKB Terminal
X2016H-XX-N0-C	Nylon 66 UL 94V-0		
X2016H-XX-N0HF	PA66 UL 94V-0 Halogen Free		
X2016H-XX-N0	Nylon 66 UL 94V-0		

PART NO	Material	Suitable XKB Terminal	Suitable XKB Terminal
X2016W			

Poles	Dimensions (mm)		
	A	B	C
02	2.00	5.80	4.60
03	4.00	7.80	6.60
04	6.00	9.80	8.60
05	8.00	11.80	10.60
06	10.00	13.80	12.60
07	12.00	15.80	14.60
08	14.00	17.80	16.60
09	16.00	19.80	18.60
10	18.00	21.80	20.60
11	20.00	23.80	22.60



- Specifications :
- Voltage rating: 100V AC / DC
  - Current rating: 2A AC / DC
  - Withstanding voltage: 800V AC/minute
  - Temperature range: -25°C~+85°C
  - Insulation resistance: ≥1000MΩ
  - Contact resistance: ≤10mΩ
  - After environmental testing: ≤20mΩ
- X2016 H X-XX X-N0 HF-C
- Series No.
  - Category: H-HSG
  - Appearance type: Blank-Ordinary
  - Row No.-Pin No.: XX-02P~20P
  - Plug the Pin & special No.: Blank-Ordinary
  - Material: N0-PA66 94V-0
  - HF-Halogen Free
  - C-Glowing Filament ;



## X-ON Electronics

Largest Supplier of Electrical and Electronic Components

*Click to view similar products for [Headers & Wire Housings](#) category:*

*Click to view products by [XKB](#) manufacturer:*

Other Similar products are found below :

[95000-104TRLF](#) [10135584-644402LF](#) [DF62W-EP2022PCA](#) [95000-106TRLF](#) [DF62W-2022SCA](#) [DF62W-EP2022PC](#) [2203348](#) [DF62W-2022SC](#) [1084018](#) [1029039](#) [1084017](#) [802-10-012-10-002000](#) [1112640](#) [1112639](#) [891-007-9SS-BST1T](#) [000-34000](#) [0008550134](#) [0009482033](#) [0009507031](#) [57102-F02-18ULF](#) [57102-S06-03LF](#) [57202-S52-04LF](#) [PCN6-15S-2.5E](#) [0039019024](#) [58102-G61-06LF](#) [582553-1](#) [0009485154](#) [0009508121](#) [0022285053](#) [0050291907](#) [018731A](#) [LY20-4P-DT1-P1E-BR](#) [02.125.8002.8](#) [60101931](#) [60598-1 \(Cut Strip\)](#) [M1625-3R/100](#) [61062-3](#) [61082-181009](#) [CSU011177004](#) [636-1427](#) [638009-1](#) [641938-9](#) [641991-4](#) [644168-1](#) [644827-2](#) [647662-1](#) [65039-019ELF](#) [65692-001LF](#) [65781-018](#) [65781-047](#)