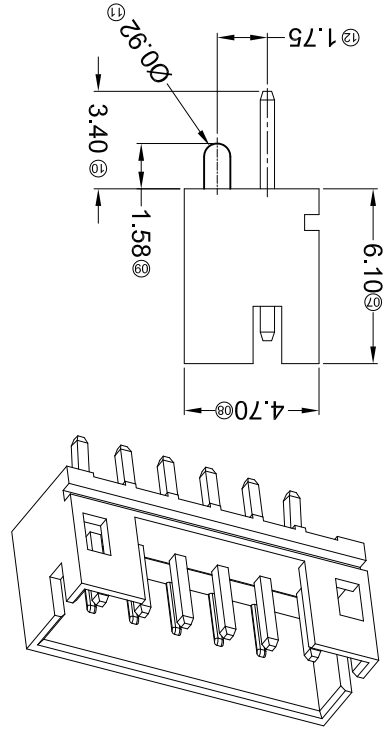
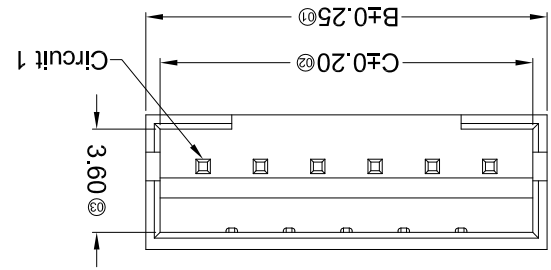
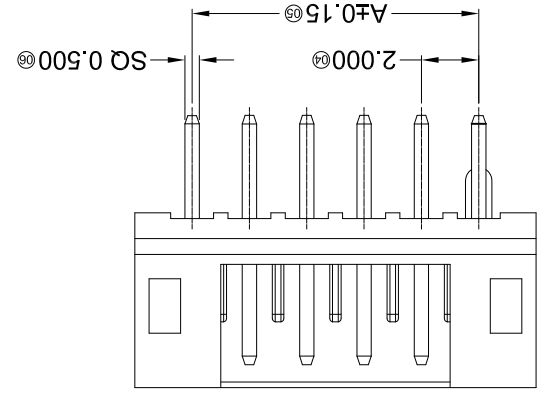
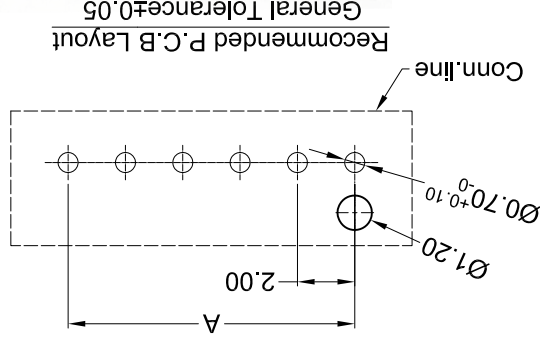


For and on behalf of
KXB INDUSTRIAL PRECISION CO., LIMITED
 香港星坤工業精密有限公司

MARK	DESCRIPTION	DATE	REVISED	APPROVED	UNSPECIFIED TOLERANCES
△ X					L > 63
△ X					16 > L ≤ 63
△ X					4 < L ≤ 16
					L ≤ 4
					ANGULAR
					± 5°

REVISIONS	UNSPECIFIED TOLERANCES	
APPD	DATE	APPROVED
CHKD	DATE	REVISED
DWN	DATE	APPROVED
DSND	DATE	REVISED

WEIGHT	1.0g
SHEET	1/1
REVISION	A0
SIZE:	A4
UNIT:	mm
VIEW:	①
SCALE:	N/A
MODEL TYPE:	X2016WV-XXS-LPSN
PART NO.:	
DWG NO.:	2.00 mm Crimp Style Connectors



PART NO	Material	Material(Pin)	Finish(Pin)	Suitable XKB Terminal
X2016WV-XXS-LPSN	LCP UL 94V-0	Brass	Tin-Plated	X2016H

Dimensions (mm)	Dimensions (mm)	Dimensions (mm)	Dimensions (mm)	Dimensions (mm)	Dimensions (mm)	Dimensions (mm)	Dimensions (mm)
08	14.00	18.00	17.00	15	28.00	32.00	31.00
07	12.00	16.00	15.00	14	26.00	30.00	29.00
06	10.00	14.00	13.00	13	24.00	28.00	27.00
05	8.00	12.00	11.00	12	22.00	26.00	25.00
04	6.00	10.00	9.00	11	20.00	24.00	23.00
03	4.00	8.00	7.00	10	18.00	22.00	21.00
02	2.00	6.00	5.00	09	16.00	20.00	19.00

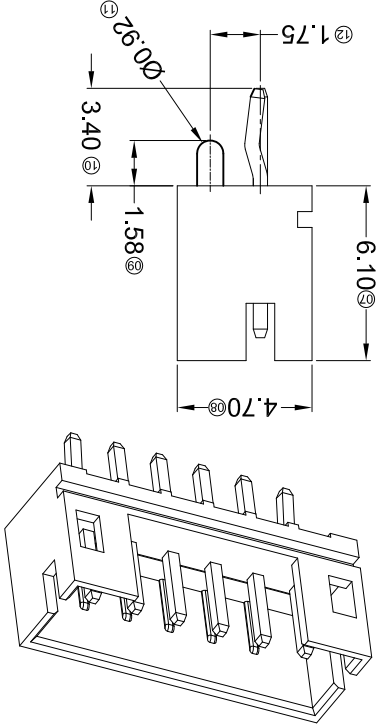
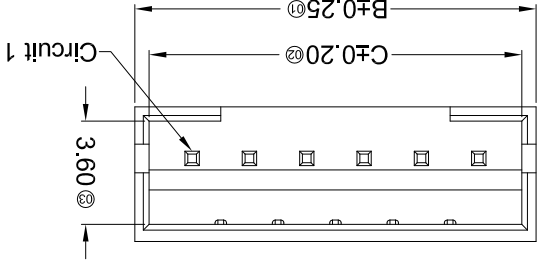
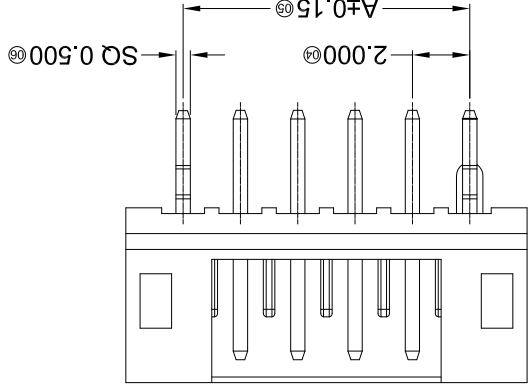
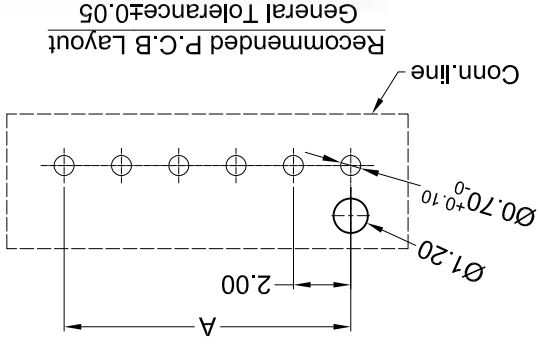
- Specifications :**
- Voltage rating: 100V AC / DC
 - Current rating: 2A AC / DC
 - Withstanding voltage: 800V AC/minute
 - Temperature range: -25°C~+85°C
 - Insulation resistance: ≥1000MΩ
 - Contact resistance: ≤10mΩ
 - After environmental testing: ≤20mΩ
- ① Series No.
 ② Category: W-WAFER
 ③ Welding Board Angle: V-Straight 180°
 ④ Welding Way: Blank-DIP
 ⑤ Row No.-Pin No.: XX-02P~20P
 ⑥ Plug the Pin & Special No.: Blank-Without Kink,S-With Post;
 ⑦ Material: LP-LCP 94V-0;
 ⑧ Plating Category: SN-Bright Tin Plating
 ⑨ Color: Blank-Natural Color;

Poles	Dimensions (mm)	Dimensions (mm)	Dimensions (mm)	Dimensions (mm)	Dimensions (mm)
A	14.00	18.00	17.00	15	28.00
B	12.00	16.00	15.00	14	26.00
C	10.00	14.00	13.00	13	24.00
	8.00	12.00	11.00	12	22.00
	6.00	10.00	9.00	11	20.00
	4.00	8.00	7.00	10	18.00
	2.00	6.00	5.00	09	16.00

For and on behalf of
XKB INDUSTRIAL PRECISION CO., LIMITED
 香港星坤工業精密有限公司

MARK	DESCRIPTION	REVISIONS			UNSPECIFIED TOLERANCES
		DATE	REVISED	APPROVED	
△X					L > 63
△X					16 > L ≤ 63
△X					4 < L ≤ 16
△X					L ≤ 4
					ANGULAR
					±5°

REVISION	SHEET	WEIGHT	XKB INDUSTRIAL PRECISION CO., LIMITED			
A0	1/1	1.0g				
			SIZE: A4	DATE		
			UNIT: mm	DATE		
			VIEW:	DATE		
			SCALE: N/A	DATE		
			MODEL TYPE: 2016WV-XXKS-4TSN			
			PART NO.:			
			2.00 mm Crimp Style Connectors			
			DWG NO.:			



PART NO	Material	Material(Pin)	Finish(Pin)	Suitable XKB Terminal
X2016WV-XXKS-4TSN	LCP UL 94V-0	Brass	Tin-Plated	X2016H

Poles	Dimensions (mm)			Poles	Dimensions (mm)		
	A	B	C		A	B	C
02	2.00	6.00	5.00	09	16.00	20.00	19.00
03	4.00	8.00	7.00	10	18.00	22.00	21.00
04	6.00	10.00	9.00	11	20.00	24.00	23.00
05	8.00	12.00	11.00	12	22.00	26.00	25.00
06	10.00	14.00	13.00	13	24.00	28.00	27.00
07	12.00	16.00	15.00	14	26.00	30.00	29.00
08	14.00	18.00	17.00	15	28.00	32.00	31.00

- Specifications :**
- Voltage rating: 100V AC / DC
 - Current rating: 2A AC / DC
 - Withstanding voltage: 800V AC/minute
 - Temperature range: -25°C~+85°C
 - Insulation resistance: ≥1000MΩ
 - Contact resistance: ≤10mΩ
 - After environmental testing: ≤20mΩ
- ① Series No.
 ② Category: W-WAFER
 ③ Welding Board Angle: V-Straight 180°
 ④ Welding Way: Blank-DIP
 ⑤ Row No.-Pin No.: XX-02P~20P
 ⑥ Plug the Pin & Special No.: K-With kink,S-With Post;
 ⑦ Material: 4T-PA4T 94V-0;
 ⑧ Plating Category: SN-Bright Tin Plating
 ⑨ Color: Blank-Natural Color;

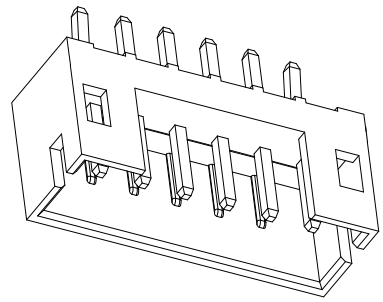
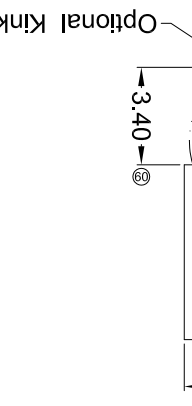
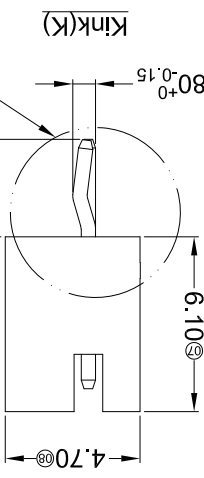
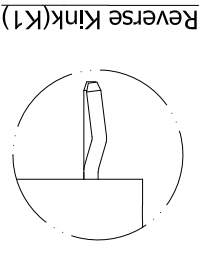
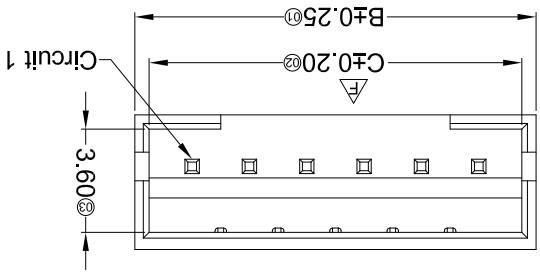
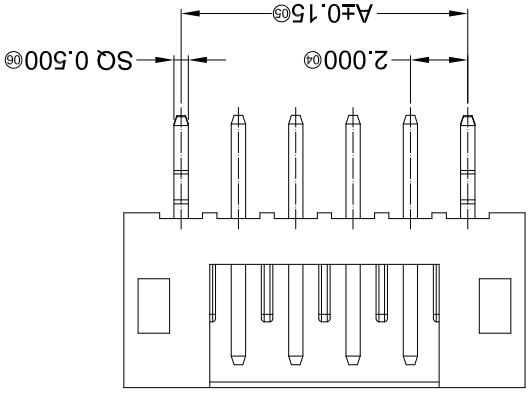
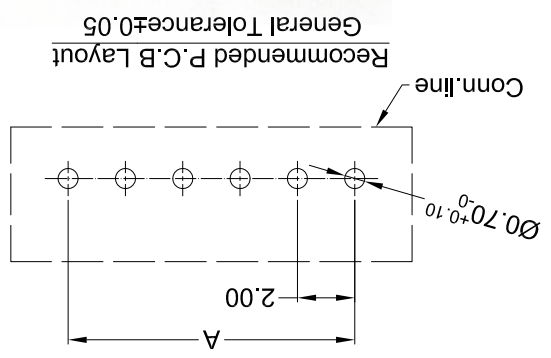
X2016 W V X-XX KS-4T SN XX
 ① ② ③ ④ ⑤ ⑥ ⑦ ⑧ ⑨

For and on behalf of
XKB INDUSTRIAL PRECISION CO., LIMITED
 香港星坤工業精密有限公司

MARK	DESCRIPTION	REVISIONS			UNSPECIFIED TOLERANCES
		DATE	REVISED	APPROVED	
△ X					L > 63 ±0.5
△ X					16 > L ≤ 63 ±0.4
△ X					4 < L ≤ 16 ±0.3
△ X					L ≤ 4 ±0.2
					ANGULAR ±5°

REVISION		WEIGHT	XKB INDUSTRIAL PRECISION CO., LIMITED	
NO.	DESCRIPTION	1.0g	DATE	SIZE: A4
A0		1/1		

DNSD	DATE	SCALE: N/A	MODEL TYPE: X2016WV-XXKX-XXXXXX
DWN	DATE	VIEW:	PART NO.:
CHKD	DATE	UNIT: mm	DWG NO.:
APPD	DATE	SIZE: A4	2.00 mm Crimp Style Connectors



PART NO	Material	Material(Pin)	Finish(Pin)	Suitable XKB Terminal
X2016WV-XXKX-46SNGV	Nylon 46 UL 94V-0 Gray	Brass	Tin-Plated	X2016H
X2016WV-XXKX-NOV01	Nylon 66 UL 94V-0		Gold-Flash	
X2016WV-XXKX-N0SN	Nylon 66 UL 94V-0		Tin-Plated	

Poles	Dimensions (mm)			Poles	Dimensions (mm)		
	A	B	C		A	B	C
02	2.00	6.00	4.80	09	16.00	20.00	18.80
03	4.00	8.00	6.80	10	18.00	22.00	20.80
04	6.00	12.00	8.80	11	22.00	24.00	22.80
05	8.00	16.00	10.80	12	24.00	26.00	24.80
06	10.00	20.00	12.80	13	26.00	28.00	26.80
07	12.00	24.00	14.80	14	28.00	30.00	28.80
08	14.00	28.00	16.80	15	30.00	32.00	30.80

- ① Series No. X2016 W V X-XX KX -N0 SN XX
- ② Category: W-WAFER
- ③ Welding Board Angle: V-Straight 180°
- ④ Welding Way: Blank-DIP
- ⑤ Row No.-Pin No.: XX-02P~20P
- ⑥ Plug the Pin & Special No.: K-kink ; K1-Reverse Kink ;
- ⑦ Material: 46 -PA46 94V-0 ; N0-PA66 94V-0
- ⑧ Plating Category: SN-Bright Tin Plating ; V01-Gold Flash
- ⑨ Color : Blank-Natural Color ; GY-Gray

- Specifications :
- Voltage rating: 100V AC / DC
 - Current rating: 2A AC / DC
 - Withstanding voltage: 800V AC/minute
 - Temperature range: -25°C~+85°C
 - Insulation resistance: ≥1000MΩ
 - Contact resistance: ≤10mΩ
 - After environmental testing: ≤20mΩ

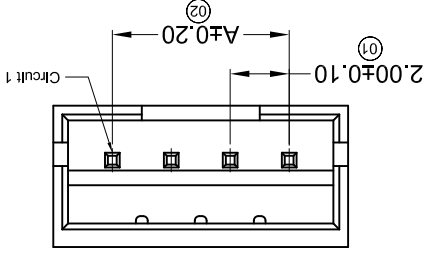
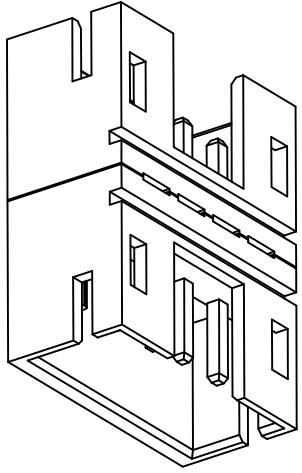
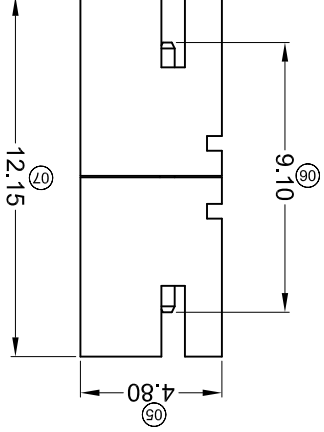
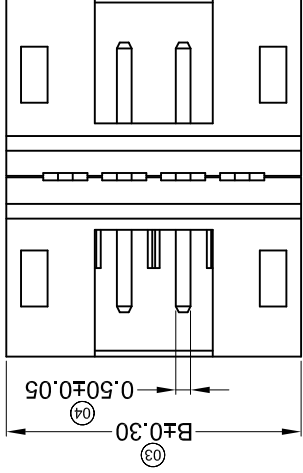
For and on behalf of
XKB INDUSTRIAL PRECISION CO., LIMITED
 香港星坤工業精密有限公司

MARK	DESCRIPTION	REVISIONS			UNSPECIFIED TOLERANCES	
		DATE	REVISED	APPROVED	L > 63	± 0.5
△ X					16 < L ≤ 63	± 0.4
△ X					4 < L ≤ 16	± 0.3
△ X					L ≤ 4	± 0.2
					ANGULAR	± 5°

REVISION		WEIGHT	XKB INDUSTRIAL PRECISION CO., LIMITED	
NO.	DESCRIPTION	1.0g	SIZE: A4	DATE
A0		1/1		

DNSD	DATE	SCALE: N/A	MODEL TYPE: 2016WV-XXH2-N0SN
DWN	DATE	VIEW:	PART NO.:
CHKD	DATE	UNIT: mm	DWG NO.:
APPD	DATE	SIZE: A4	2.00 mm Crimp Style Connector

PART NO	Material	Material(Pin)	Finish(Pin)	Suitable XKB Terminal	Qty/Bag
X2016WV-XXH2-N0SN	Nylon 66 UL 94V-0	Brass	Tin-Plated	X2016H	1,000Pcs



Poles		Dimensions (mm)	
A	B	A	B
02	2.00	6.00	6.00
03	4.00	8.00	8.00
04	6.00	10.00	10.00
05	8.00	12.00	12.00
06	10.00	14.00	14.00
07	12.00	16.00	16.00
08	14.00	18.00	18.00
09	16.00	20.00	20.00
10	18.00	22.00	22.00
11	20.00	24.00	24.00
12	22.00	26.00	26.00
13	24.00	28.00	28.00
14	26.00	30.00	30.00
15	28.00	32.00	32.00
16	30.00	34.00	34.00
17	32.00	36.00	36.00
18	34.00	38.00	38.00
19	36.00	40.00	40.00
20	38.00	42.00	42.00

- ① Series No. X2016 W V X-XX H2-N0 SN XX
- ② Category: W-WAFER
- ③ Welding Board Angle: V-180°; R-90°
- ④ Welding Way: Blank-DIP; S-SMT
- ⑤ Row No.-Pin No.: XX-Single Row; 2*XX-Double Row
- ⑥ Plug the Pin & Special No.: H2-Double sided insert
- ⑦ Material: N0-PA66 94V-0; 6T-PA6T 94V-0; 46-PA46
- ⑧ Plating Category: G**-Gold Plated Contact
 V**- All Gold-Plated
 01-Gold Flash 02-2u" 03-3u"
 05-5u" 10-10u" 15-15u"
 SN-Bright Tin Plating (70-120u")
 SN1-Bright Tin Plating (120u" Min).
 0-No Plating Material
 SW- Fog Tin Plating
 HS-Hight temperature Tin
- ⑨ Color: Blank-Natural Color

- Specifications:**
- Voltage rating: 100V AC / DC
 - Current rating: 2A AC / DC
 - Withstanding voltage: 800V AC/minute
 - Temperature range: -25°C~+85°C
 - Insulation resistance: ≥1000MΩ
 - Contact resistance: ≤10mΩ
 - After environmental testing: ≤20mΩ

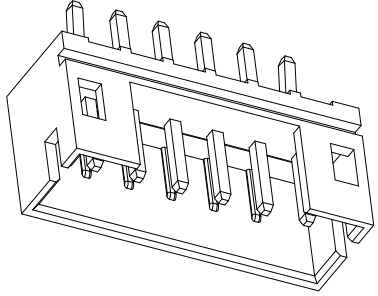
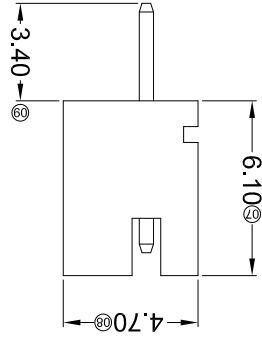
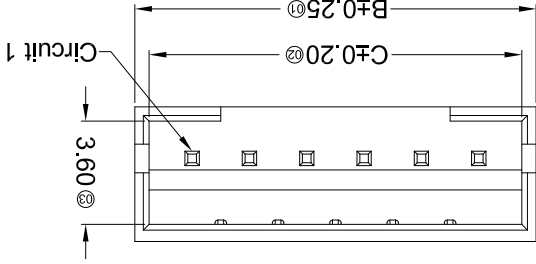
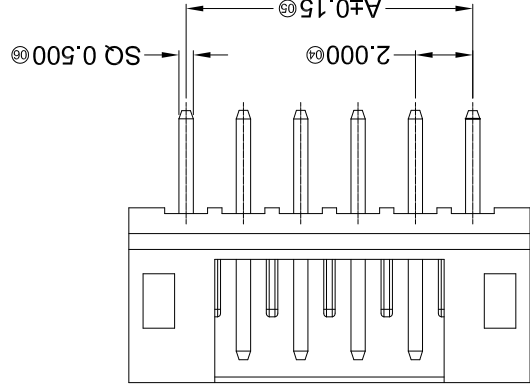
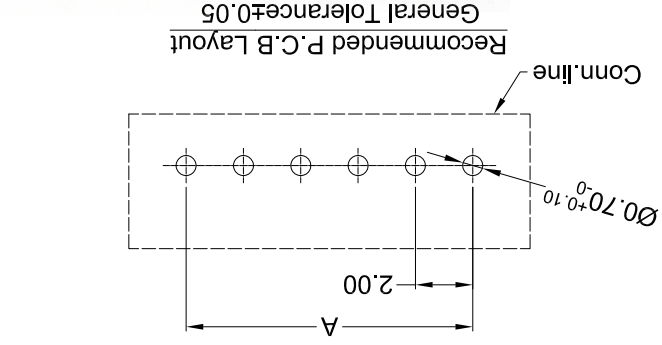
For and on behalf of
KXB INDUSTRIAL PRECISION CO., LIMITED
 香港星坤工業精密有限公司

MARK	DESCRIPTION	REVISIONS			UNSPECIFIED TOLERANCES
		DATE	REVISED	APPROVED	
△X					L > 63
△X					16 > L ≤ 63
△X					4 < L ≤ 16
					L ≤ 4
					ANGULAR
					±5°

KXB INDUSTRIAL PRECISION CO., LIMITED

WEIGHT	1.0g
SHEET	1/1
REVISION	A0

DATE	DATE	DATE	DATE
VIEW:	UNIT: mm	SIZE: A4	APPD
SCALE: N/A	PART NO.: X2016WV-XX-46SN	DWG NO.: 2.00 mm Crimp Style Connectors	CHKD
MODEL TYPE: X2016WV-XX-XSSN			DWN
			DSND



PART NO	Material	Material(Pin)	Finish(Pin)	Suitable XKB Terminal
X2016WV-XX-6TSN	Nylon 6T UL94V-0	Brass	Tin-Plated	X2016H
X2016WV-XX-46SN	Nylon 46 UL 94V-0	Brass	Tin-Plated	X2016H
X2016WV-XX-N0SN	Nylon 66 UL 94V-0			

Poles	Dimensions (mm)			Poles	Dimensions (mm)		
	A	B	C		A	B	C
02	2.00	6.00	5.00	09	16.00	20.00	19.00
03	4.00	8.00	7.00	10	18.00	22.00	21.00
04	6.00	10.00	9.00	11	20.00	24.00	23.00
05	8.00	12.00	11.00	12	22.00	26.00	25.00
06	10.00	14.00	13.00	13	24.00	28.00	27.00
07	12.00	16.00	15.00	14	26.00	30.00	29.00
08	14.00	18.00	17.00	15	28.00	32.00	31.00

- ① Series No. X2016 W V X-XX XX -N0 SN XX
- ② Category: W-WAFER
- ③ Welding Board Angle: V-Straight 180°
- ④ Welding Way: Blank-DIP
- ⑤ Row No.-Pin No.: XX-02P~20P
- ⑥ Plug the Pin & Special No.: Blank-Without Kink
- ⑦ Material: 46 -PA46 94V-0 ; N0-PA66 94V-0 ;
- ⑧ Plating Category: SN-Bright Tin Plating
- ⑨ Color : Blank-Natural Color ; GY-Gray

- Specifications :
- Voltage rating: 100V AC / DC
 - Current rating: 2A AC / DC
 - Withstanding voltage: 800V AC/minute
 - Temperature range: -25°C~+85°C
 - Insulation resistance: ≥1000MΩ
 - Contact resistance: ≤10mΩ
 - After environmental testing: ≤20mΩ

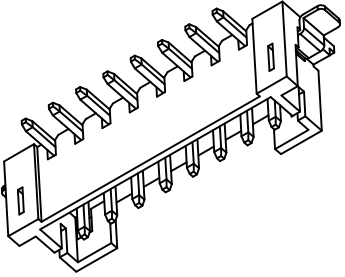
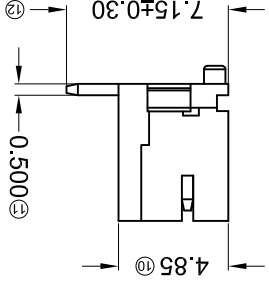
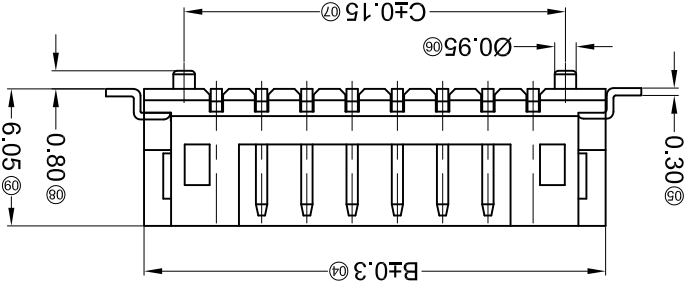
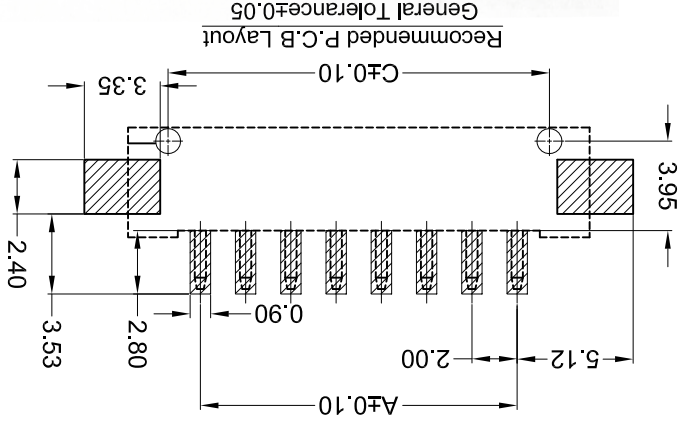
For and on behalf of
XKB INDUSTRIAL PRECISION CO., LIMITED
 香港星坤工業精密有限公司

MARK	DESCRIPTION	DATE	REVISD	APPROVED	UNSPCIFIED TOLERANCES
△ X					L > 63 ±0.5
△ X					16 < L ≤ 63 ±0.4
△ X					4 < L ≤ 16 ±0.3
					L ≤ 4 ±0.2
					ANGULAR ±5°

REVISIONS
 Authorized Signature(s)

DSND	DATE	SCALE: N/A	MODEL TYPE: X2016WVS-XXS-46SN
DWN	DATE <td>VIEW: </td> <td>PART NO.:</td>	VIEW:	PART NO.:
CHKD	DATE <td>UNIT: mm</td> <td>DWG NO.:</td>	UNIT: mm	DWG NO.:
APPD	DATE <td>SIZE: A4</td> <td></td>	SIZE: A4	

WEIGHT	1.0g
SHEET	1/1
REVISION	A0



Poles	Dimensions (mm)		
	A	B	C
02	2.00	8.40	4.85
03	4.00	10.40	6.85
04	6.00	12.40	8.85
05	8.00	14.40	10.85
06	10.00	16.40	12.85
07	12.00	18.40	14.85
08	14.00	20.40	16.85

PART NO	Material	Material(Pin and Solder Tabs)	Finish(Pin and Solder Tabs)	Suitable XKB Terminal
X2016WVS-XXS-46SN	PA46 UL 94V-0	Brass	Tin-Plated	X2016H

- X2016 W V S-XX S -46 SN XX
- Series No.
 - Category: W-WAFER
 - Welding Board Angle: V-Straight 180°
 - Welding Way: S-SMT
 - Row No.-Pin No.: XX-02P~20P
 - Plug the Pin & Special No.:
 - S-With positioning column
 - Material: 46 -PA46 94V-0;
 - Plating Category: SN-Bright Tin Plating
 - Color: Blank-Natural Color

- Specifications:
- Voltage rating: 100V AC / DC
 - Current rating: 2A AC / DC
 - Withstanding voltage: 800V AC/minute
 - Temperature range: -25°C~+85°C
 - Insulation resistance: ≥1000MΩ
 - Contact resistance: ≤10mΩ
 - After environmental testing: ≤20mΩ

For and on behalf of
XKB INDUSTRIAL PRECISION CO., LIMITED
 香港星坤工業精密有限公司

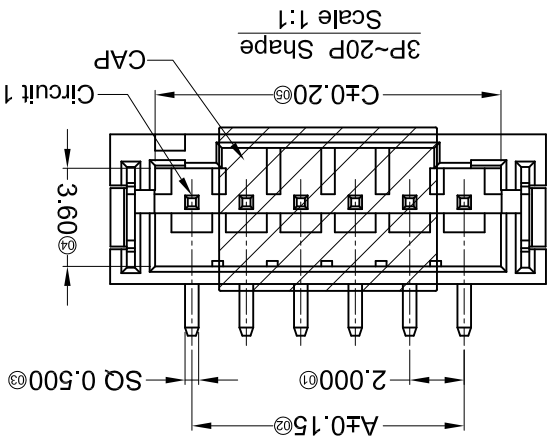
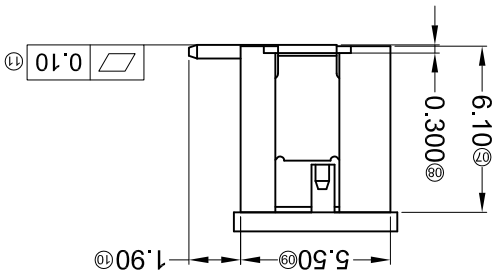
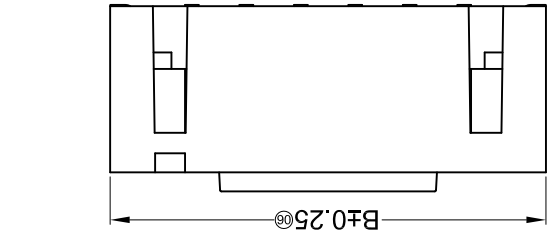
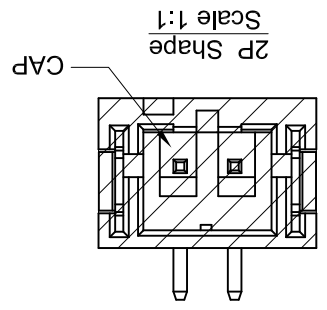
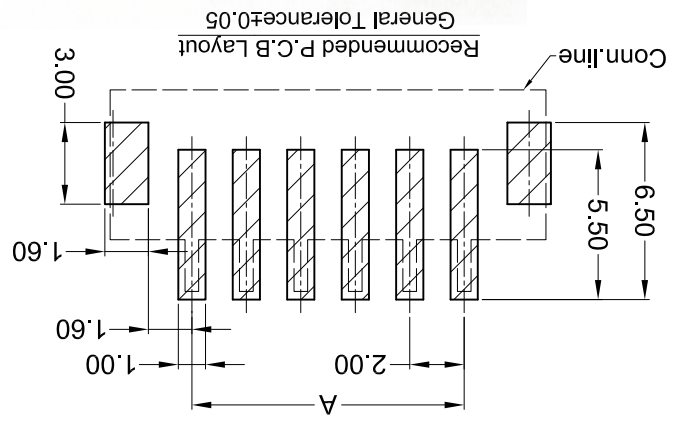
MARK	DESCRIPTION	DATE	REVISION	APPROVED	UNSPECIFIED TOLERANCES
△ X					
△ X					
△ X					

REVISION	SHEET	WEIGHT	REVISION
1/1		1.0g	

DATE	DATE	DATE	DATE	DATE	DATE

SCALE: N/A	VIEW:	UNIT: mm	SIZE: A4

MODEL TYPE:	PART NO.:	DWG NO.:
2016WVS-XX-XXXXXXX		

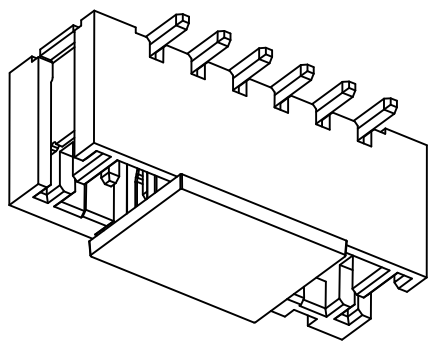


PART NO	Material	Material(Pin)	Finish(Pin)	Material(Solder Tabs)	Finish(Solder Tabs)	Suitable XKB Terminal
X2016WVS-XX-9TWS	PA9T UL 94V-0	Tin-Plated	Matte		Tin-Plated	
X2016WVS-XX-9TV01	PA9T UL 94V-0	Gold-Flash	Matte	Phosphor Bronze	Gold-Flash	
X2016WVS-XX-LPSW	LCP UL 94V-0	Tin-Plated	Matte		Tin-Plated	X2016H
X2016WVS-XX-LPSWHF	LCP UL 94V-0	Halogen Free	Matte		Tin-Plated	

Poles	Dimensions (mm)	Poles	Dimensions (mm)	Poles	Dimensions (mm)
02	2.00	09	16.00	16	30.00
03	4.00	10	18.00	17	32.00
04	6.00	11	20.00	18	34.00
05	8.00	12	22.00	19	36.00
06	10.00	13	24.00	20	38.00
07	12.00	14	26.00		
08	14.00	15	28.00		
	16.00	16	30.00		
	18.00	17	32.00		
	20.00	18	34.00		
	22.00	19	36.00		
	24.00	20	38.00		
	26.00				
	28.00				
	30.00				
	32.00				
	34.00				
	36.00				
	38.00				
	40.00				
	42.00				
	44.00				
	46.00				
	48.00				
	50.00				

- ① Series No.
- ② Category: W-WAFER
- ③ Welding Board Angle: V-Straight 180°
- ④ Welding Way: S-SMT
- ⑤ Row No-Pin No.: XX-02P~20P
- ⑥ Plug the Pin & Special No.
- ⑦ Material: LP-LCP 94V-0; 9T-PA9T 94V-0
- ⑧ Plating Category: SW-Matte Tin Plating; V01- Gold Flash
- ⑨ Color: HF-Halogen Free;

- X2016 W V S-XX X-XX XXX XX
- Specifications:
 - Voltage rating: 100V AC / DC
 - Current rating: 2A AC / DC
 - Withstanding voltage: 800V AC/minute
 - Temperature range: -25°C~+85°C
 - Insulation resistance: ≥1000MΩ
 - Contact resistance: ≤10mΩ
 - After environmental testing: ≤20mΩ



For and on behalf of
KXB INDUSTRIAL PRECISION CO., LIMITED
 香港星坤工業精密有限公司

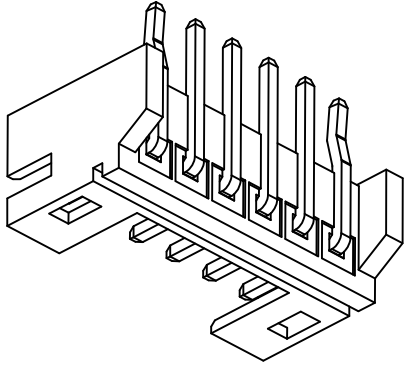
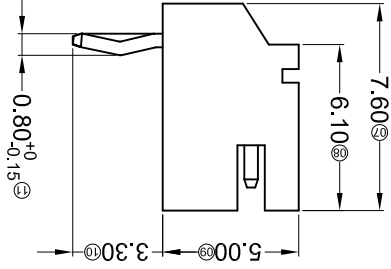
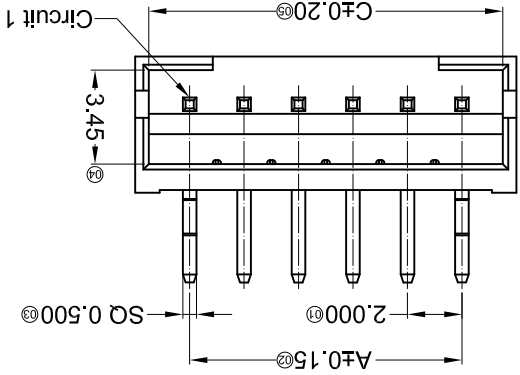
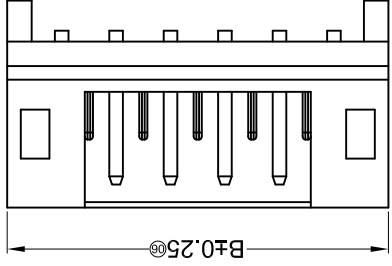
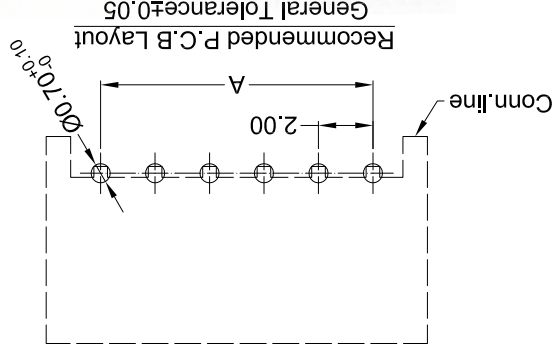
MARK	DESCRIPTION	DATE	REVISD	APPROVED	UNSPECIFIED TOLERANCES
△ X					L > 63
△ X					16 > L ≤ 63
△ X					4 < L ≤ 16
△ X					L ≤ 4
					ANGULAR
					±5°

REVISIONS	DATE	REVISD	APPROVED	UNSPECIFIED TOLERANCES
				L > 63
				16 > L ≤ 63
				4 < L ≤ 16
				L ≤ 4
				ANGULAR
				±5°

DATE	SCALE: N/A	MODEL TYPE:	2016WR-XXK-N0SN
DWNDN	VIEW:	PART NO.:	2016WR-XXK-N0SN
CHKD	UNIT: mm	DWG NO.:	
APPD	DATE	SIZE: A4	
	DATE		
	DATE		

WEIGHT	SHEET	REVISION
1.0g	1/1	A0

KXB INDUSTRIAL PRECISION CO., LIMITED



PART NO	Material	Material (Pn)	Finish (Pn)	Suitable XKB Terminal
X2016WR-XXK-N0SN	Nylon 66 UL 94V-0	Brass	Tin-Plated	X2016H

Dimensions (mm)	Poles	Dimensions (mm)	Poles	Dimensions (mm)	Poles	Dimensions (mm)	Poles
08	A	14.00	A	17.00	A	28.00	A
07	B	12.00	B	15.00	B	26.00	B
06	C	10.00	C	13.00	C	24.00	C
05	A	8.00	A	11.00	A	22.00	A
04	B	6.00	B	9.00	B	20.00	B
03	C	4.00	C	7.00	C	18.00	C
02	A	2.00	A	6.00	A	16.00	A
01	B	2.00	B	6.00	B	16.00	B
00	C	2.00	C	6.00	C	16.00	C

① Series No. X2016 WR X-XX K-N0 SN XX
 ② Category: W-WAFER
 ③ Welding Board Angle: R-Right Angle 90°
 ④ Welding Way: Blank-DIP
 ⑤ Row No.-Pin No.: XX-02P~20P
 ⑥ Plug the Pin & Special No.: K-kink, DIP=3.30mm
 ⑦ Material: N0-PA66 94V-0
 ⑧ Plating Category: SN-Bright Tin Plating
 ⑨ Color: Blank-Natural Color

- Specifications:
- Voltage rating: 100V AC / DC
 - Current rating: 2A AC / DC
 - Withstanding voltage: 800V AC/minute
 - Temperature range: -25°C~+85°C
 - Insulation resistance: ≥1000MΩ
 - Contact resistance: ≤10mΩ
 - After environmental testing: ≤20mΩ

For and on behalf of
XKB INDUSTRIAL PRECISION CO., LIMITED
 香港星坤工業精密有限公司

MARK	DESCRIPTION	DATE	REVISED	APPROVED	UNSPECIFIED TOLERANCES
△ X					L > 63 ±0.5
△ X					16 < L ≤ 63 ±0.4
△ X					4 < L ≤ 16 ±0.3
△ X					L ≤ 4 ±0.2
					ANGULAR ±5°

REVISIONS	UNSPECIFIED TOLERANCES	DATE	REVISED	APPROVED	UNSPECIFIED TOLERANCES
					L > 63 ±0.5
					16 < L ≤ 63 ±0.4
					4 < L ≤ 16 ±0.3
					L ≤ 4 ±0.2
					ANGULAR ±5°

DATE	DATE	DATE	DATE	DATE	DATE

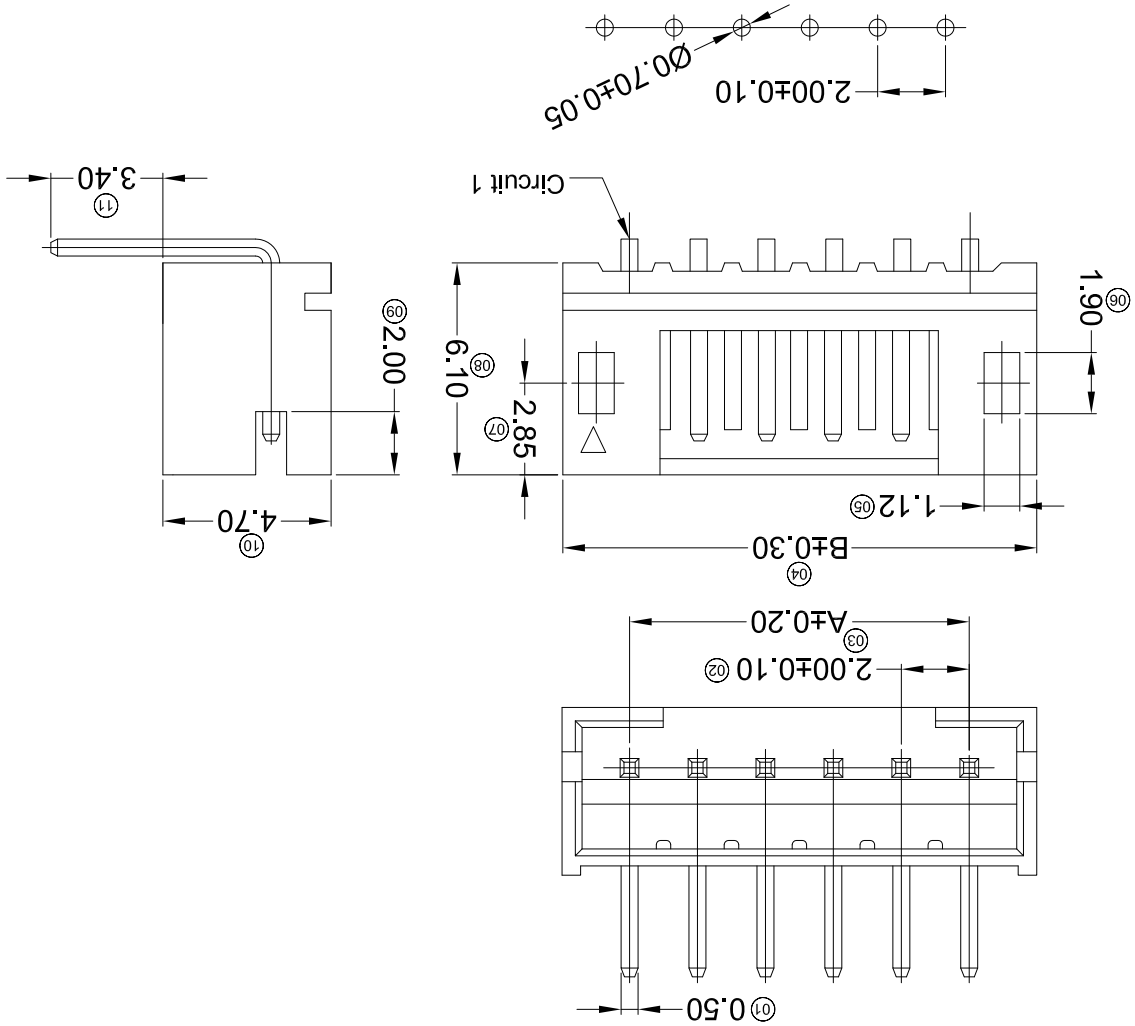
SCALE: N/A	MODEL TYPE:	PART NO.:	VIEW:	UNIT: mm	SIZE: A4
	X2016WR-XXB-N0SN	X2016WR-XXB-N0SN	2.00 mm Crimp Style Connector	mm	A4

PART NO	Material	Material(Pin)	Finish(Pin)	Suitable XKB Terminal	Q'ty/Bag
X2016WR-XXB-N0SN	Nylon 66 UL 94V-0	Brass	Tin-Plated	XZ2016H	1,000Pcs

Poles	Dimensions (mm)	A	B
02	2.00	6.00	8.00
03	4.00	8.00	10.00
04	6.00	10.00	12.00
05	8.00	12.00	14.00
06	10.00	14.00	16.00
07	12.00	16.00	18.00
08	14.00	18.00	20.00
09	16.00	20.00	22.00
10	18.00	22.00	24.00
11	20.00	24.00	26.00
12	22.00	26.00	28.00
13	24.00	28.00	30.00
14	26.00	30.00	32.00
15	28.00	32.00	34.00
16	30.00	34.00	36.00
17	32.00	36.00	38.00
18	34.00	38.00	40.00
19	36.00	40.00	42.00
20	38.00	42.00	

- ① Series No.
- ② Category: W-WAFER
- ③ Welding Board Angle: V-180°; R-90°
- ④ Welding Way: Blank-DIP; S-SMT
- ⑤ Row No.-Pin No.: XX-Single Row; 2*XX-Double Row
- ⑥ Plug the Pin & Special No.:
- ⑦ Material: NO -PA66 94V-0
- ⑧ Plating Category: G**-Gold Plated Contact
- V** - All Gold-Plated
- 01-Gold Flash 02-2u" 03-3u"
- 05-5u" 10-10u" 15-15u"
- SN-Bright Tin Plating (70-120u")
- SN1-Bright Tin Plating (120u" Min).
- 0-No Plating Material
- SW-Fog Tin Plating
- HS-Hight temperature Tin
- ⑨ Color: Blank-Natural Color

Recommend PCB Layout



- Specifications:**
- Voltage rating: 100V AC / DC
 - Current rating: 2A AC / DC
 - Withstanding voltage: 800V AC/minute
 - Temperature range: -25°C~+85°C
 - Insulation resistance: ≥1000MΩ
 - Contact resistance: ≤10mΩ
 - After environmental testing: ≤20mΩ

For and on behalf of
XKB INDUSTRIAL PRECISION CO., LIMITED
 香港星坤工業精密有限公司
 Authorized Signatures

MARK	DESCRIPTION	DATE	REVISED	APPROVED	UNSPECIFIED TOLERANCES
△ X					L > 63
△ X					16 > L ≤ 63
△ X					4 < L ≤ 16
△ X					L ≤ 4
					ANGULAR ±5°

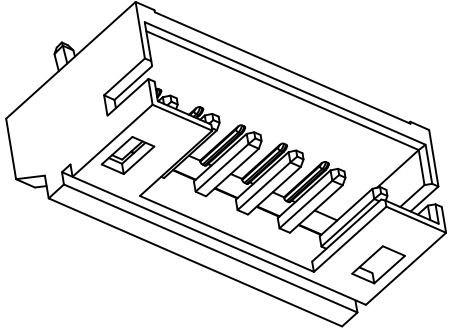
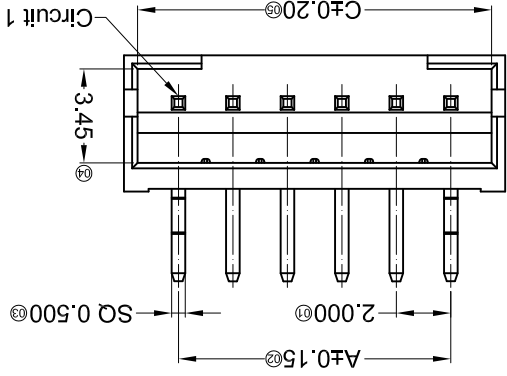
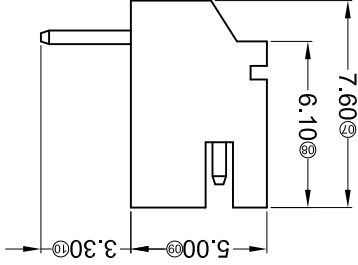
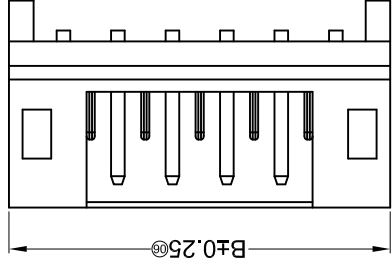
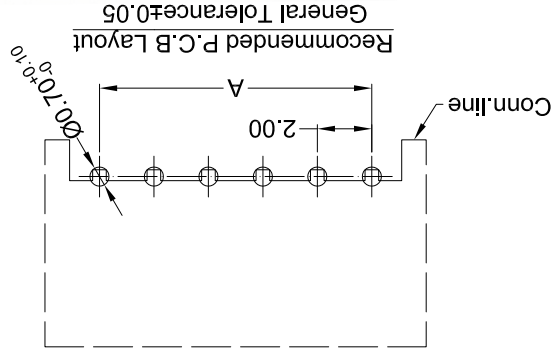
REVISIONS	WEIGHT	SHEET	REVISION
	1.0g	1/1	A0

DSND	DATE	SCALE: N/A	MODEL TYPE:
			2016WR-XX-NOSN

DWN	DATE	VIEW:	PART NO.:
			2016WR-XX-NOSN

CHKD	DATE	UNIT: mm	DWG NO.:
			2.00 mm Crimp Style Connectors

APPD	DATE	SIZE: A4



X2016 W R X-XX XX -N0 SN XX
 ① ② ③ ④ ⑤ ⑥ ⑦ ⑧ ⑨

- ① Series No.
- ② Category: W-WAFER
- ③ Welding Board Angle: R-Right Angle 90°
- ④ Welding Way: Blank-DIP
- ⑤ Row No.-Pin No.: XX-02P~20P
- ⑥ Plug the Pin & Special No.: Blank-Without kink
- ⑦ Material: NO-PA66 94V-0
- ⑧ Plating Category: SN-Bright Tin Plating
- ⑨ Color: Blank-Natural Color;

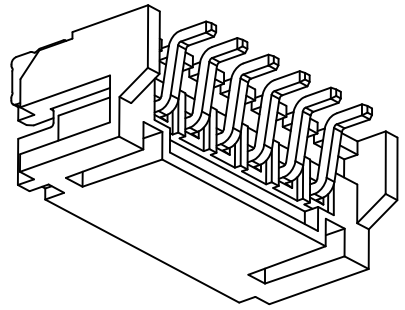
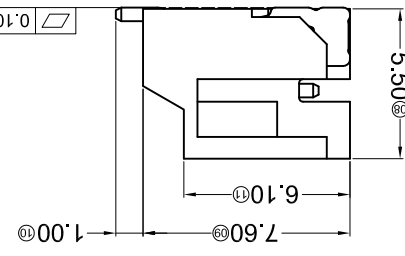
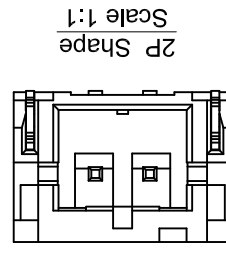
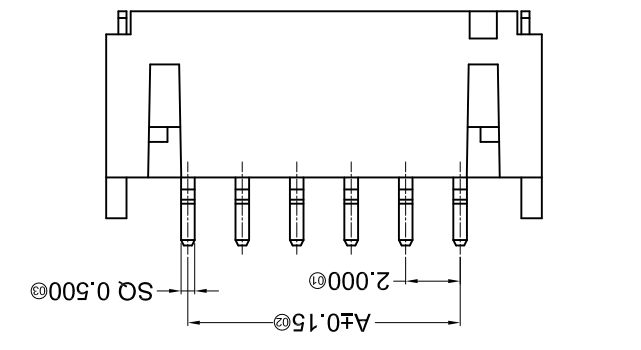
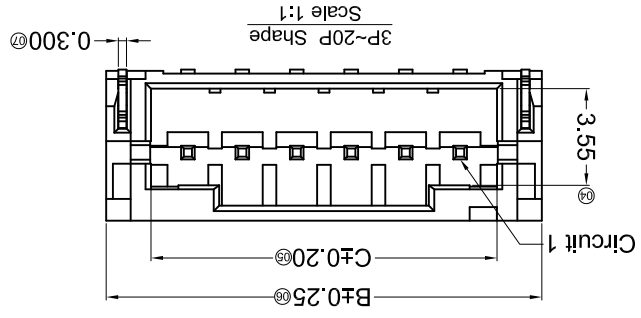
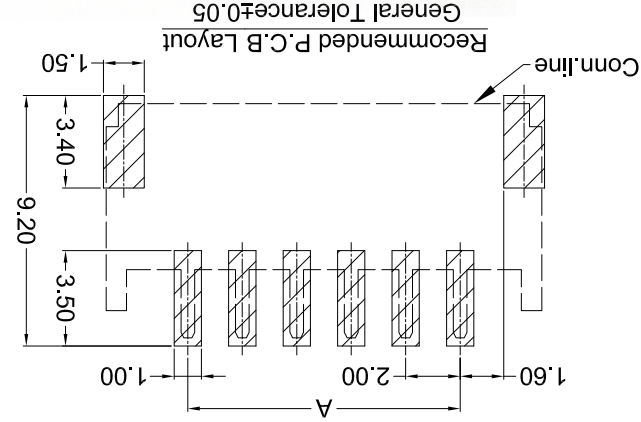
- Specifications :
- Voltage rating: 100V AC / DC
 - Current rating: 2A AC / DC
 - Withstanding voltage: 800V AC/minute
 - Temperature range: -25°C~+85°C
 - Insulation resistance: ≥1000MΩ
 - Contact resistance: ≤10mΩ
 - After environmental testing: ≤20mΩ

PART NO	Material	Material(Pin)	Finish(Pin)	Suitable XKB Terminal
X2016WR-XX-NOSN	Nylon 66 UL 94V-0	Brass	Tin-Plated	X2016H

Poles	Dimensions (mm)		
	A	B	C
02	2.00	6.00	5.00
03	4.00	8.00	7.00
04	6.00	10.00	9.00
05	8.00	12.00	11.00
06	10.00	14.00	13.00
07	12.00	16.00	15.00
08	14.00	18.00	17.00
Poles	Dimensions (mm)		
	A	B	C
09	16.00	20.00	19.00
10	18.00	22.00	21.00
11	20.00	24.00	23.00
12	22.00	26.00	25.00
13	24.00	28.00	27.00
14	26.00	30.00	29.00
15	28.00	32.00	31.00

For and on behalf of
XKB INDUSTRIAL PRECISION CO., LIMITED
 香港星坤工業精密有限公司

MARK	DESCRIPTION	DATE	REVISED	APPROVED	UNSPECIFIED TOLERANCES
△ X					L > 63
△ X					16 < L ≤ 63
△ X					4 < L ≤ 16
△ X					L ≤ 4
					ANGULAR
					± 5°



PART NO	Material	Material (P/n)	Finish (P/n)	Material (Solder Tabs)	Material (Solder Tabs) Finish	Suitable XKB Terminal
X2016WRS-XX-9TSM	PA9T UL 94V-0	Tin-Plated	Tin-Plated	Brass	Tin-Plated	Male
X2016WRS-XX-LP5WHF	LCP UL 94V-0	Halogen Free	Tin-Plated	Brass	Tin-Plated	Male
X2016WRS-XX-LP5SW	LCP UL 94V-0	Halogen Free	Tin-Plated	Brass	Tin-Plated	Male
X2016WRS-XX-9T15BK	PA9T UL 94V-0	Black	Gold15μ	Brass	Tin-Plated	Gold-Flash
X2016WRS-XX-9T15SW	PA9T UL 94V-0	Black	Gold15μ	Brass	Tin-Plated	Male

Poles	Dimensions (mm)		Poles	Dimensions (mm)	
	A	B		A	B
02	2.00	8.00	09	16.00	22.00
03	4.00	10.00	10	18.00	24.00
04	6.00	12.00	11	20.00	26.00
05	8.00	14.00	12	22.00	28.00
06	10.00	16.00	13	24.00	30.00
07	12.00	18.00	14	26.00	32.00
08	14.00	20.00	15	28.00	34.00
				30.00	36.00
				32.00	38.00
				34.00	40.00
				36.00	42.00
				38.00	44.00
				40.00	46.00
				42.00	48.00
				44.00	50.00

- ① Series No.
 ② Category: W-WAFER
 ③ Welding Board Angle: R-Right Angle 90°
 ④ Welding Way: S-SMT
 ⑤ Row No.-Pin No.: XX-02P~20P
 ⑥ Plug the Pin & Special No.
 ⑦ Material: 9T-PA9T 94V-0 LP-LCP 94V-0
 ⑧ Plating Category: SW-Matte Tin Plating; V15-Gold 15μ
 ⑨ Color: HF-Halogen Free; Blank-Natural Color; BK-Black

- Specifications:
- Voltage rating: 100V AC / DC
 - Current rating: 2A AC / DC
 - Withstanding voltage: 800V AC/minute
 - Temperature range: -25°C~+85°C
 - Insulation resistance: ≥100MΩ
 - Contact resistance: ≤10mΩ
 - After environmental testing: ≤20mΩ

DATE	SCALE: N/A	MODEL TYPE:	REVISION	WEIGHT	SHEET
		X2016WRS-XX-XXXXXXX		1.0g	1/1
DATE	VIEW:	PART NO.:	REVISION		
DATE	UNIT: mm	DWG NO.:			
DATE	SIZE: A4				

DSND	DATE	SCALE: N/A	MODEL TYPE:	REVISION	WEIGHT
		X2016WRS-XX-XXXXXXX			1.0g
DWN	DATE	VIEW:	PART NO.:	REVISION	
CHKD	DATE	UNIT: mm	DWG NO.:	REVISION	
APPD	DATE	SIZE: A4			

REVISIONS	DESCRIPTION	DATE	REVISED	APPROVED	UNSPECIFIED TOLERANCES
					L > 63
					16 < L ≤ 63
					4 < L ≤ 16
					L ≤ 4
					ANGULAR
					± 5°

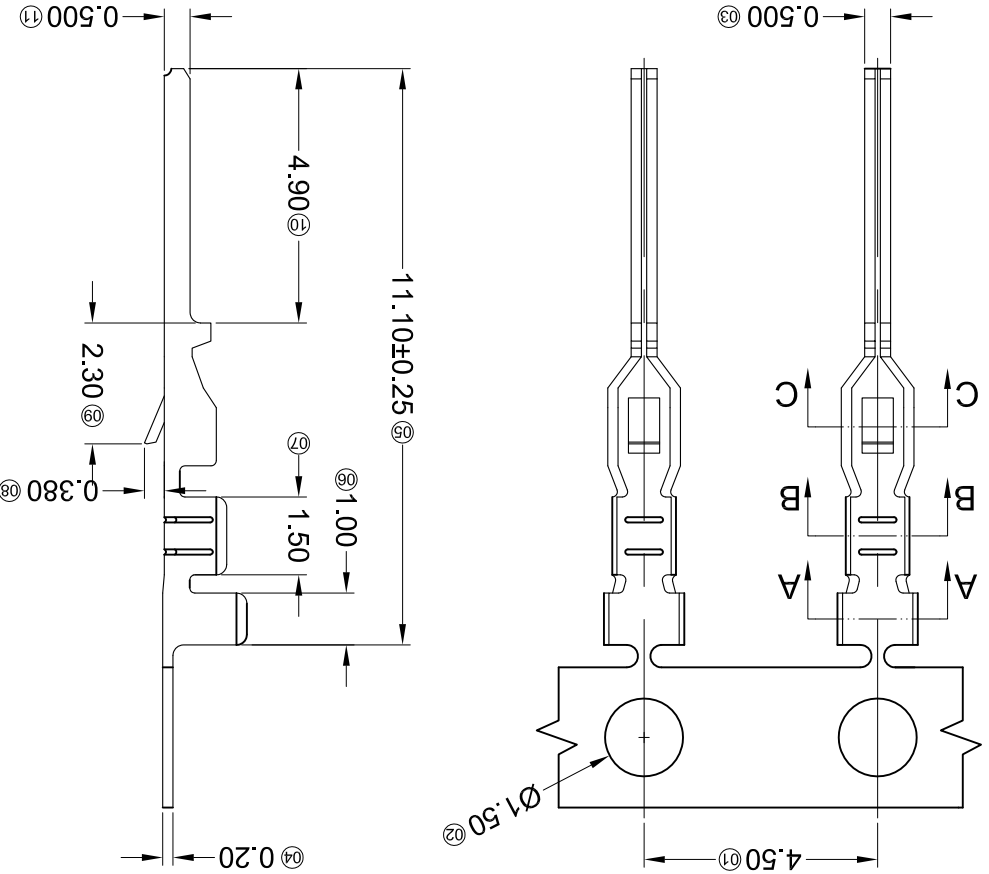
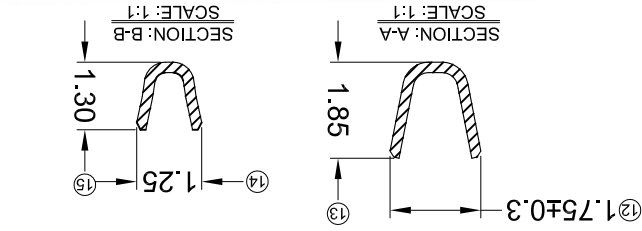
For and on behalf of
XKB INDUSTRIAL PRECISION CO., LIMITED
 香港星坤工業精密有限公司

REVISIONS		UNSPECIFIED TOLERANCES	
MARK	DESCRIPTION	APPROVED	REVISIED
△ X		L > 63	± 0.5
△ X		16 < L ≤ 63	± 0.4
△ X		4 < L ≤ 16	± 0.3
△ X		L ≤ 4	± 0.2
		ANGULAR	± 5°

REVISIONS		UNSPECIFIED TOLERANCES	
MARK	DESCRIPTION	APPROVED	REVISIED
△ X		L > 63	± 0.5
△ X		16 < L ≤ 63	± 0.4
△ X		4 < L ≤ 16	± 0.3
△ X		L ≤ 4	± 0.2
		ANGULAR	± 5°

DSND	DATE	SCALE: N/A	MODEL TYPE: X2016TM-PSN
DWN	DATE	VIEW:	PART NO.:
CHKD	DATE	UNIT: mm	DWG NO.:
APPD	DATE	SIZE: A4	

PART NO	Material	Wire Range	Insulation O.D.	Finish	Suitable XKB Terminal
X2016TM-PSN	Phosphor Bronze	AWG#26-28	1.30mm(Max)	Stamping Before plating:30u" MIN, Nt 70u"Sn	X2016HF



X2016 T M-P SN X - X
 ① Series Number
 ② Category: T-terminal
 ③ Shape: M-Male
 ④ Material: P-Phosphor bronze
 ⑤ Plating style: SN-Bright tin plating
 ⑥ Plating method: Blank-Stamping before plating
 ⑦ Mold No./Mark/Special No.

- Specifications :
- Voltage rating: 100V AC / DC
 - Current rating: 2A AC / DC
 - Withstanding voltage: 800V AC/minute
 - Temperature range: -25°C~+85°C
 - Insulation resistance: ≥1000MΩ
 - Contact resistance: ≤10mΩ
 - After environmental testing: ≤20mΩ

For and on behalf of
KKB INDUSTRIAL PRECISION CO., LIMITED
 香港星坤工業精密有限公司

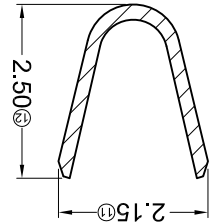
MARK	DESCRIPTION	DATE	REVISED	APPROVED	UNSPECIFIED TOLERANCES
△ X					L > 63
△ X					16 < L ≤ 63
△ X					4 < L ≤ 16
△ X					L ≤ 4
					ANGULAR
					± 5°

REVISION	SHEET	WEIGHT	DATE	DATE	DATE	DATE
A0	1/1	1.0g				

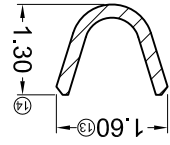
REVISION	SHEET	WEIGHT	DATE	DATE	DATE	DATE
A0	1/1	1.0g				

XPART NO	Material	Wire Range	Insulation O.D.	Finish	Suitable KKB Terminal
X2016T-PV01	Phosphor Bronze	AWG#24-30	1.50mm(Max)	Stamping Before plating:30u" MIN, Nf. 70u"Sn	X2016H
X2016T-P-SNB	AWG#24-30	1.50mm(Max)	Stamping Before plating:10u" MIN, Nf. 30u"Sn	Whole Gold ;Gold Flash	X2016H
X2016T-P-PSN	AWG#24-30	1.50mm(Max)	Stamping Before plating:30u" MIN, Nf. 70u"Sn	Stamping Before plating:30u" MIN, Nf. 70u"Sn	X2016H

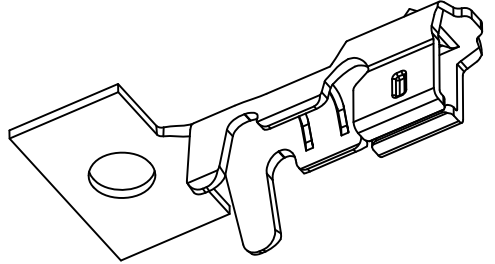
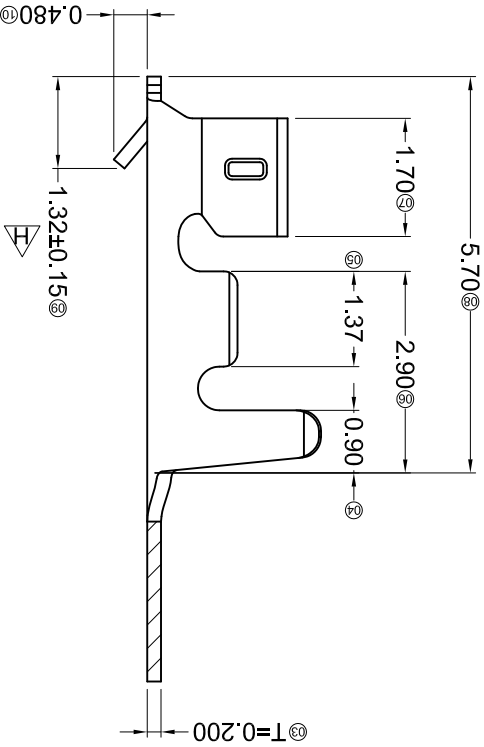
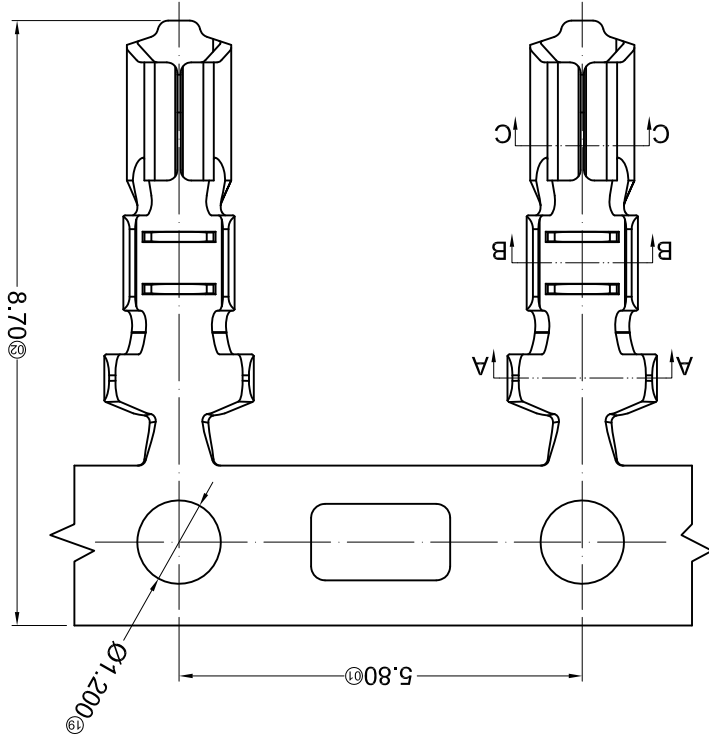
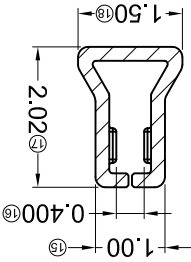
SECTION: A-A
SCALE: 1:1



SECTION: B-B
SCALE: 1:1



SECTION: C-C
SCALE: 1:1



- Specifications :**
- Voltage rating: 100V AC / DC
 - Current rating: 2A AC / DC
 - Withstanding voltage: 800V AC/minute
 - Temperature range: -25°C~+85°C
 - Insulation resistance: ≥1000MΩ
 - Contact resistance: ≤10mΩ
 - After environmental testing: ≤20mΩ
- X2016 T X-P XXX X - X
 ① Series Number
 ② Category: T-terminal
 ③ Shape: Blank-ordinary
 ④ Material: P-Phosphor bronze
 ⑤ Plating style: V01-Gold Flash ; SN-Bright tin plating
 ⑥ Plating method: Blank-stamping before plating
 B-Plating before stamping
 ⑦ Mold No./Mark/Special No.

For and on behalf of
KXB INDUSTRIAL PRECISION CO., LIMITED
 香港星坤工業精密有限公司

Authorized Signatures

MARK	DESCRIPTION	DATE	REVISED	APPROVED	UNSPECIFIED TOLERANCES
△ X					L > 63 ± 0.5
△ X					16 < L ≤ 63 ± 0.4
△ X					4 < L ≤ 16 ± 0.3
△ X					L ≤ 4 ± 0.2
					ANGULAR ± 5°

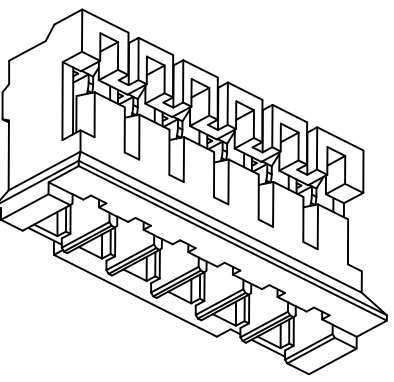
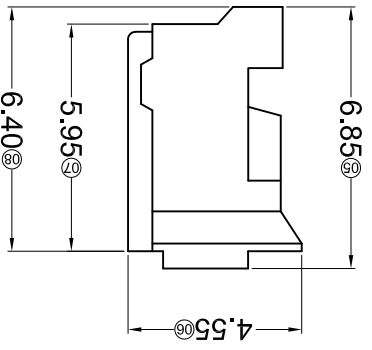
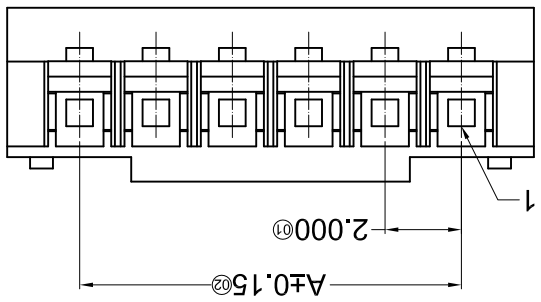
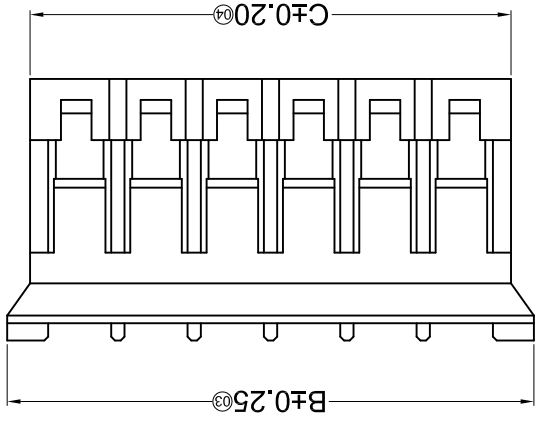
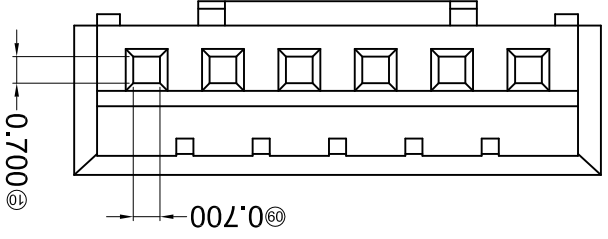
REVISION	SHEET	WEIGHT	1/1	1.0g	8
AO					

DSND	DATE	SCALE: N/A	MODEL TYPE: X2016H-XX-N0XX

DWN	DATE	VIEW:	PART NO.:

CHKD	DATE	UNIT: mm	DWG NO.:

APPD	DATE	SIZE: A4



PART NO	Material	Suitable XKB Terminal	Suitable XKB Terminal
X2016H-XX-N0	Nylon 66 UL 94V-0		Suitable XKB Terminal
X2016H-XX-N0HF	PA66 UL 94V-0 Halogen Free	X2016T	
X2016H-XX-N0C	Nylon 66 UL 94V-0		X2016W

Poles	Dimensions (mm)		
	A	B	C
02	2.00	5.80	4.60
03	4.00	7.80	6.60
04	6.00	9.80	8.60
05	8.00	11.80	10.60
06	10.00	13.80	12.60
07	12.00	15.80	14.60
08	14.00	17.80	16.60
09	16.00	19.80	18.60
10	18.00	21.80	20.60
11	20.00	23.80	22.60

- ① Series No.
 - ② Category: H-HSG
 - ③ Appearance type: Blank-Ordinary
 - ④ Row No.-Pin No.: XX-02P~20P
 - ⑤ Plug the Pin & special No.: Blank-Ordinary
 - ⑥ Material: N0-PA66 94V-0
 - ⑦ HF-Halogen Free
 - ⑧ C-Glowing Filament;
- X2016 H X-XX X-N0 HF-C

- Specifications:
- Voltage rating: 100V AC / DC
 - Current rating: 2A AC / DC
 - Withstanding voltage: 800V AC/minute
 - Temperature range: -25°C~+85°C
 - Insulation resistance: ≥1000MΩ
 - Contact resistance: ≤10mΩ
 - After environmental testing: ≤20mΩ

For and on behalf of
XKB INDUSTRIAL PRECISION CO., LIMITED
 香港星洲工業精密有限公司

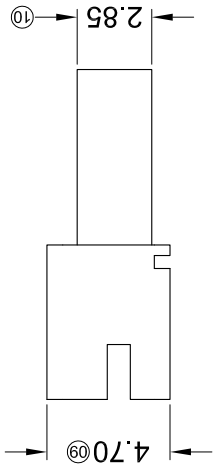
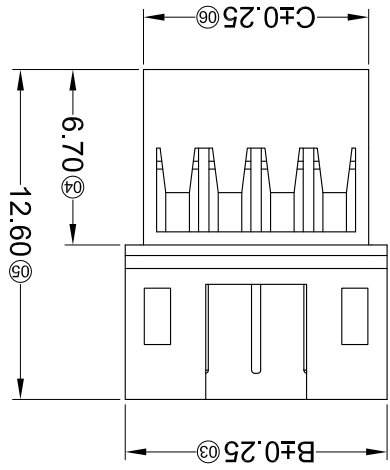
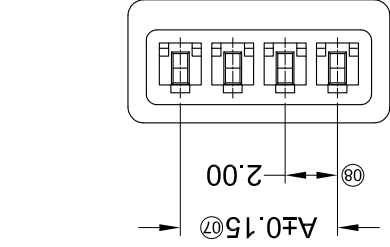
MARK	DESCRIPTION	DATE	REVISD	APPROVED	UNSPECIFIED TOLERANCES
△ X					L > 63
△ X					16 < L ≤ 63
△ X					4 < L ≤ 16
					L ≤ 4
					ANGULAR
					± 5°

REVISION	SHEET	WEIGHT	DATE	DATE	DATE	DATE
A0	1/1	1.0g				

XKB INDUSTRIAL PRECISION CO., LIMITED

DNSD	SCALE: N/A	DATE	DATE	DATE	DATE
DWN	VIEW:	DATE	DATE	DATE	DATE
CHKD	UNIT: mm	DATE	DATE	DATE	DATE
APPD	SIZE: A4	DATE	DATE	DATE	DATE

PART NO.: X2016HF-XX-N0XX
 MODEL TYPE: X2016HF-XX-N0XX
 PART NO.: 2.0mm Crimp Style Connectors
 DWG NO.:



PART NO	Material	Suitable XKB Terminal	Suitable XKB Terminal
X2016HF-XX-N0	Nylon 66 UL 94V-0	X2016TM	Suitable XKB Terminal
X2016HF-XX-N0BK	Nylon 66 UL 94V-0 Black	X2016TM	Suitable XKB Terminal

Poles	Dimensions (mm)		
	A	B	C
02	2.00	6.00	4.60
03	4.00	8.00	6.60
04	6.00	10.00	8.60
05	8.00	12.00	10.60
06	10.00	14.00	12.60
07	12.00	16.00	14.60
08	14.00	18.00	16.60
09	16.00	20.00	18.60
10	18.00	22.00	20.60
11	20.00	24.00	22.60

- ① Series No.
- ② Category: H-HSG
- ③ Welding Board Angle: F-Female HSG
- ④ Row No.-Pin No.: XX-02P~20P
- ⑤ Plug the Pin & special No.:
- ⑥ Material: N0-PA66 94V-0;
- ⑦ Color: Blank-natural color; BK-Black

X2016 H F-XX X-N0 XX

- Specifications :
- Voltage rating: 125V AC / DC
 - Current rating: 1A AC / DC
 - Withstanding voltage: 250V AC/minute
 - Temperature range: -25°C~+85°C
 - Insulation resistance: ≥100MΩ
 - Contact resistance: ≤20mΩ
 - After environmental testing: ≤40mΩ

X-ON Electronics

Largest Supplier of Electrical and Electronic Components

Click to view similar products for [Headers & Wire Housings](#) category:

Click to view products by [XKB](#) manufacturer:

Other Similar products are found below :

[95000-104TRLF](#) [10135584-644402LF](#) [DF62W-EP2022PCA](#) [95000-106TRLF](#) [DF62W-2022SCA](#) [DF62W-EP2022PC](#) [2203348](#) [DF62W-2022SC](#) [1084018](#) [1029039](#) [1084017](#) [802-10-012-10-002000](#) [1112640](#) [1112639](#) [891-007-9SS-BST1T](#) [000-34000](#) [0008550134](#) [0009482033](#) [0009507031](#) [57102-F02-18ULF](#) [57102-S06-03LF](#) [57202-S52-04LF](#) [PCN6-15S-2.5E](#) [0039019024](#) [58102-G61-06LF](#) [582553-1](#) [0009485154](#) [0009508121](#) [0022285053](#) [0050291907](#) [018731A](#) [LY20-4P-DT1-P1E-BR](#) [02.125.8002.8](#) [60101931](#) [60598-1 \(Cut Strip\)](#) [M1625-3R/100](#) [61062-3](#) [61082-181009](#) [CSU011177004](#) [636-1427](#) [638009-1](#) [641938-9](#) [641991-4](#) [644168-1](#) [644827-2](#) [647662-1](#) [65039-019ELF](#) [65692-001LF](#) [65781-018](#) [65781-047](#)