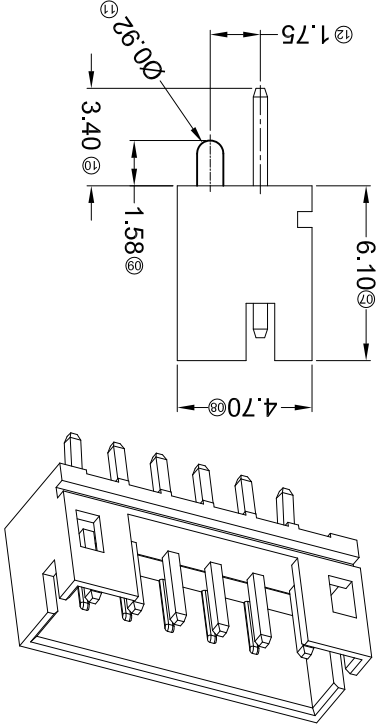
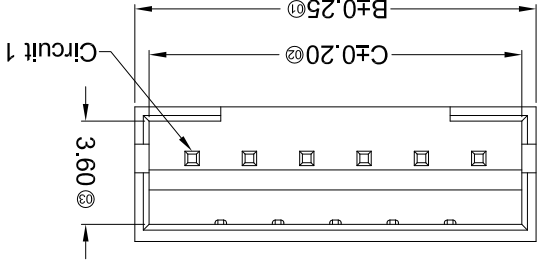
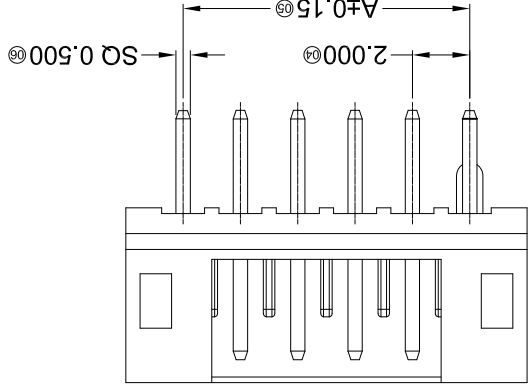
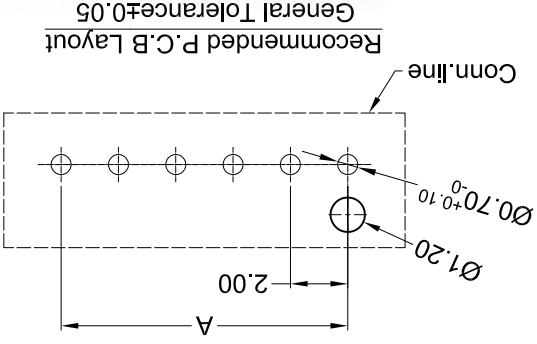


For and on behalf of
KXB INDUSTRIAL PRECISION CO., LIMITED
 香港星坤工業精密有限公司

MARK	DESCRIPTION	REVISIONS			UNSPECIFIED TOLERANCES
		DATE	REVISED	APPROVED	
△X					L > 63
△X					16 > L ≤ 63
△X					4 < L ≤ 16
△X					L ≤ 4
					ANGULAR
					±5°

REVISION	SHEET	WEIGHT	KXB INDUSTRIAL PRECISION CO., LIMITED		
			DATE	DATE	DATE
A0	1/1	1.0g			
			SIZE: A4		
			UNIT: mm		
			VIEW:		
			PART NO.: X2016WV-XXS-LPSN		
			MODEL TYPE: X2016WV-XXS-LPSN		
			SCALE: N/A		
			DATE	DATE	DATE
			DATE	DATE	DATE
			DATE	DATE	DATE
			DATE	DATE	DATE



PART NO	Material	Material(Pin)	Finish(Pin)	Suitable XKB Terminal
X2016WV-XXS-LPSN	LCP UL 94V-0	Brass	Tin-Plated	X2016H

Poles	Dimensions (mm)			Poles	Dimensions (mm)		
	A	B	C		A	B	C
02	2.00	6.00	5.00	09	16.00	20.00	19.00
03	4.00	8.00	7.00	10	18.00	22.00	21.00
04	6.00	10.00	9.00	11	20.00	24.00	23.00
05	8.00	12.00	11.00	12	22.00	26.00	25.00
06	10.00	14.00	13.00	13	24.00	28.00	27.00
07	12.00	16.00	15.00	14	26.00	30.00	29.00
08	14.00	18.00	17.00	15	28.00	32.00	31.00

- Specifications :**
- Voltage rating: 100V AC / DC
 - Current rating: 2A AC / DC
 - Withstanding voltage: 800V AC/minute
 - Temperature range: -25°C~+85°C
 - Insulation resistance: ≥1000MΩ
 - Contact resistance: ≤10mΩ
 - After environmental testing: ≤20mΩ
- Series No.**
- X2016 W V X-XX S-LP SN XX
- ① Series No.
 - ② Category: W-WAFER
 - ③ Welding Board Angle: V-Straight 180°
 - ④ Welding Way: Blank-DIP
 - ⑤ Row No.-Pin No.: XX-02P~20P
 - ⑥ Plug the Pin & Special No.: Blank-Without Kink,S-With Post;
 - ⑦ Material: LP-LCP 94V-0;
 - ⑧ Plating Category: SN-Bright Tin Plating
 - ⑨ Color : Blank-Natural Color;

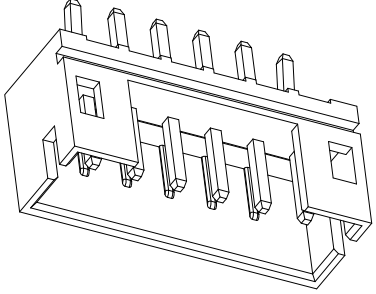
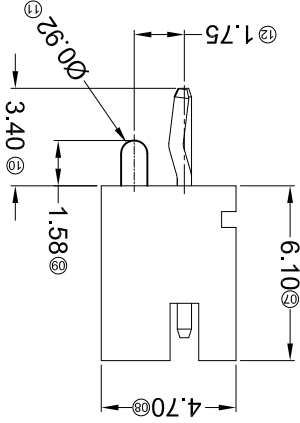
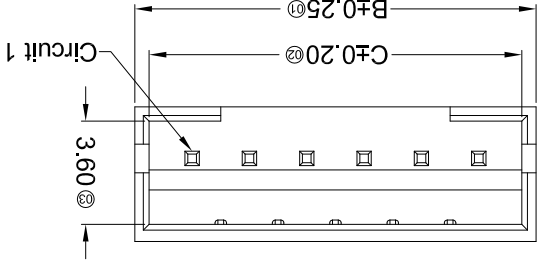
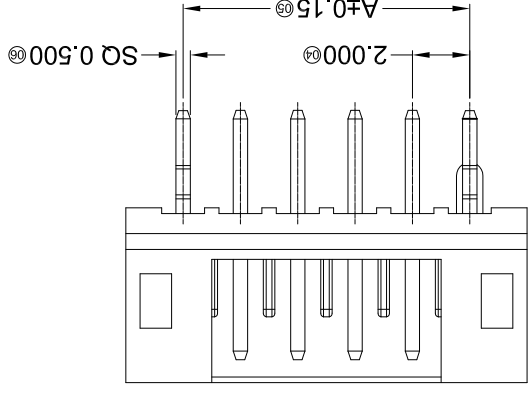
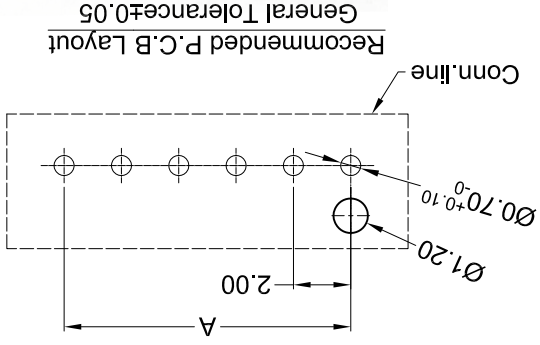
For and on behalf of
XKB INDUSTRIAL PRECISION CO., LIMITED
 香港星坤工業精密有限公司

MARK	DESCRIPTION	DATE	REVISED	APPROVED	UNSPECIFIED TOLERANCES
△ X					L > 63
△ X					16 > L ≤ 63
△ X					4 < L ≤ 16
					L ≤ 4
					ANGULAR
					± 5°

REVISIONS	UNSPECIFIED TOLERANCES		DATE	REVISED	APPROVED	UNSPECIFIED TOLERANCES
						L > 63
						16 > L ≤ 63
						4 < L ≤ 16
						L ≤ 4
						ANGULAR
						± 5°

DATE	SCALE: N/A	MODEL TYPE:	2016WV-XXKS-4TSN
DNSD			
DWN		VIEW:	PART NO.:
CHKD		UNIT: mm	DWG NO.:
APPD		DATE	SIZE: A4

WEIGHT	SHEET	REVISION
1.0g	1/1	A0



PART NO	Material	Material(Pin)	Finish(Pin)	Suitable XKB Terminal
X2016WV-XXKS-4TSN	LCP UL 94V-0	Brass	Tin-Plated	X2016H

Poles	Dimensions (mm)			Poles	Dimensions (mm)		
	A	B	C		A	B	C
02	2.00	6.00	5.00	09	16.00	20.00	19.00
03	4.00	8.00	7.00	10	18.00	22.00	21.00
04	6.00	10.00	9.00	11	20.00	24.00	23.00
05	8.00	12.00	11.00	12	22.00	26.00	25.00
06	10.00	14.00	13.00	13	24.00	28.00	27.00
07	12.00	16.00	15.00	14	26.00	30.00	29.00
08	14.00	18.00	17.00	15	28.00	32.00	31.00

- ① Series No. X2016 W V X-XX KS-4T SN XX
- ② Category: W-WAFER
- ③ Welding Board Angle: V-Straight 180°
- ④ Welding Way: Blank-DIP
- ⑤ Row No.-Pin No.: XX-02P~20P
- ⑥ Plug the Pin & Special No.: K-With kink,S-With Post;
- ⑦ Material: 4T-PA4T 94V-0;
- ⑧ Plating Category: SN-Bright Tin Plating
- ⑨ Color: Blank-Natural Color;

- Specifications :
- Voltage rating: 100V AC / DC
 - Current rating: 2A AC / DC
 - Withstanding voltage: 800V AC/minute
 - Temperature range: -25°C~+85°C
 - Insulation resistance: ≥1000MΩ
 - Contact resistance: ≤10mΩ
 - After environmental testing: ≤20mΩ

For and on behalf of
XKB INDUSTRIAL PRECISION CO., LIMITED
 香港星坤工業精密有限公司

MARK	DESCRIPTION	DATE	REVISED	APPROVED	UNSPECIFIED TOLERANCES
△X					L > 63
△X					16 > L ≤ 63
△X					4 < L ≤ 16
					L ≤ 4
					ANGULAR
					±5°

REVISIONS	SIGNATURE(S)	
DATE	APPROVED	REVISED

WEIGHT	1.0g
SHEET	1/1
REVISION	A0

MODEL TYPE:	X2016WV-XXXXX-XXXXX
PART NO.:	
DWG NO.:	2.00 mm Crimp Style Connectors
SIZE:	A4

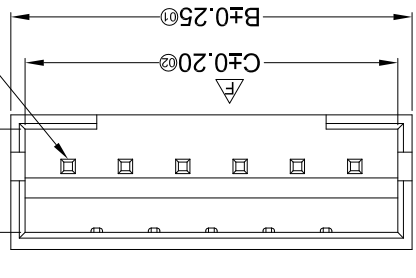
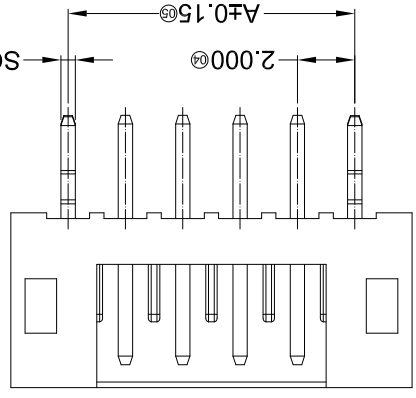
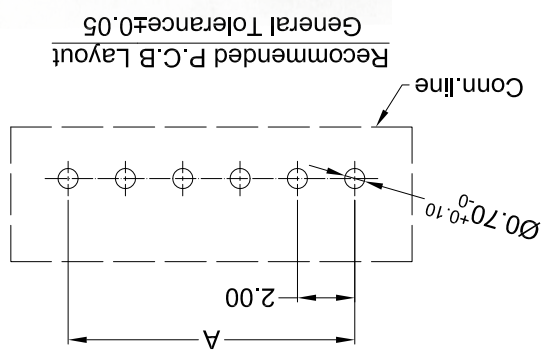
Part No	Material	Material(Pin)	Finish(Pin)	Suitable XKB Terminal
X2016WV-XXXXX-46SNV	Nylon 46 UL 94V-0 Gray	Brass	Tin-Plated	X2016H
X2016WV-XXXXX-NOV01	Nylon 66 UL 94V-0		Gold-Flash	
X2016WV-XXXXX-N0SN			Tin-Plated	

Poles	Dimensions (mm)			Poles	Dimensions (mm)		
	A	B	C		A	B	C
02	2.00	6.00	4.80	09	16.00	20.00	18.80
03	4.00	8.00	6.80	10	18.00	22.00	20.80
04	6.00	12.00	8.80	11	22.00	24.00	22.80
05	8.00	16.00	10.80	12	26.00	26.80	24.80
06	10.00	20.00	12.80	13	28.00	28.00	26.80
07	12.00	26.00	14.80	14	30.00	30.00	28.80
08	14.00	32.00	16.80	15	32.00	32.00	30.80

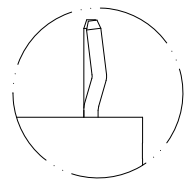
Specifications :

- Voltage rating: 100V AC / DC
- Current rating: 2A AC / DC
- Withstanding voltage: 800V AC/minute
- Temperature range: -25°C~+85°C
- Insulation resistance: ≥1000MΩ
- Contact resistance: ≤10mΩ
- After environmental testing: ≤20mΩ

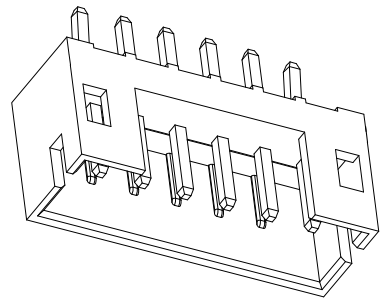
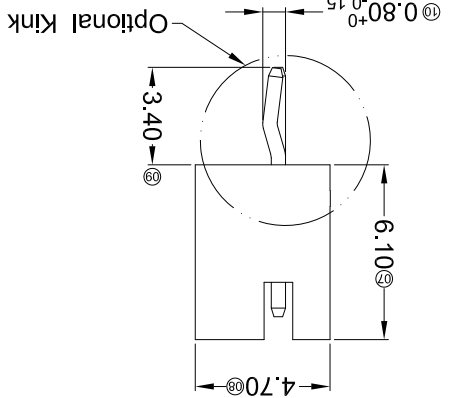
① Series No.
 ② Category: W-WAFER
 ③ Welding Board Angle: V-Straight 180°
 ④ Welding Way: Blank-DIP
 ⑤ Row No.-Pin No.: XX-02P~20P
 ⑥ Plug the Pin & Special No.: K-kink ; K1-Reverse kink ;
 ⑦ Material: 46-PA46 94V-0 ; N0-PA66 94V-0
 ⑧ Plating Category: SN-Bright Tin Plating ; V01-Gold Flash
 ⑨ Color : Blank-Natural Color ; GY-Gray



Reverse kink(K1)



Kink(K)



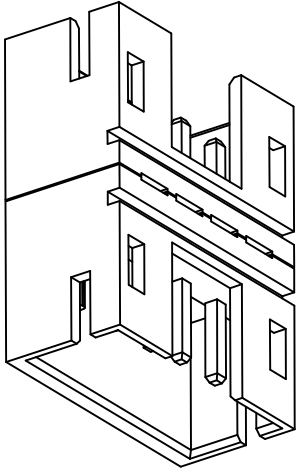
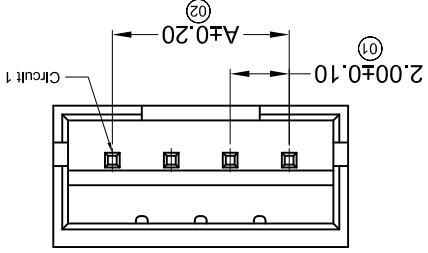
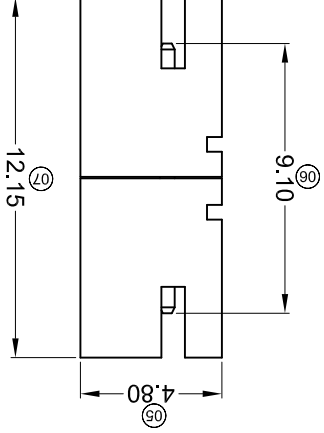
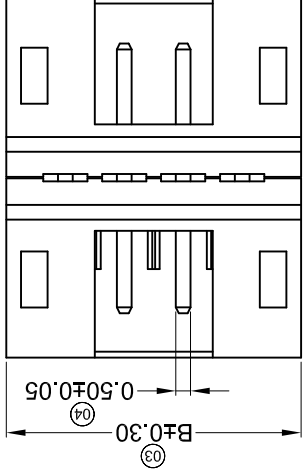
For and on behalf of
XKB INDUSTRIAL PRECISION CO., LIMITED
 香港星坤工業精密有限公司

MARK	DESCRIPTION	REVISIONS			UNSPECIFIED TOLERANCES	
		DATE	REVISED	APPROVED	L > 63	± 0.5
△ X					16 < L ≤ 63	± 0.4
△ X					4 < L ≤ 16	± 0.3
△ X					L ≤ 4	± 0.2
					ANGULAR	± 5°

REVISION		WEIGHT	XKB INDUSTRIAL PRECISION CO., LIMITED	
NO.	DESCRIPTION	1.0g	DATE	SIZE: A4
A0		1/1		

DNSD	DATE	SCALE: N/A	MODEL TYPE: 2016WV-XXH2-N0SN
DWN	DATE	VIEW:	PART NO.:
CHKD	DATE	UNIT: mm	DWG NO.:
APPD	DATE	SIZE: A4	2.00 mm Crimp Style Connector

PART NO	Material	Material(Pin)	Finish(Pin)	Suitable XKB Terminal	Qty/Bag
X2016WV-XXH2-N0SN	Nylon 66 UL 94V-0	Brass	Tin-Plated	X2016H	1,000Pcs



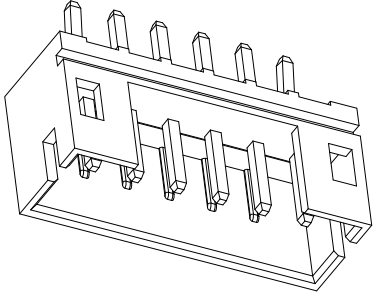
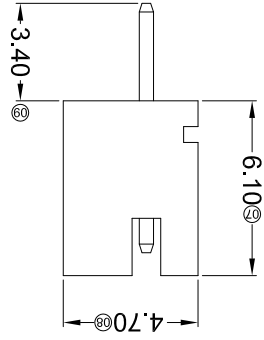
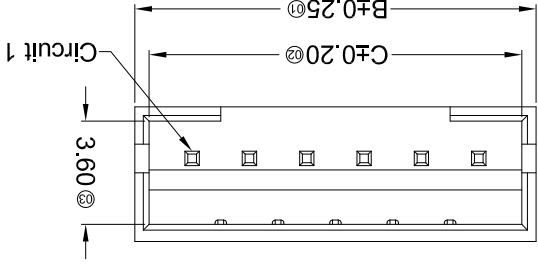
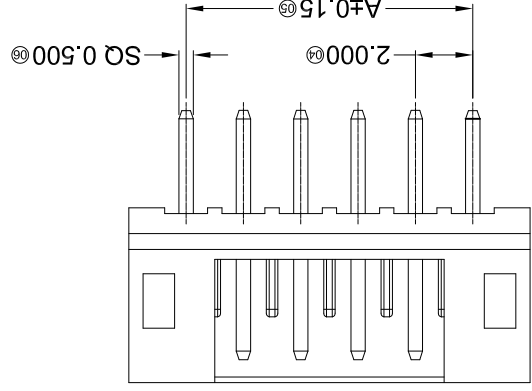
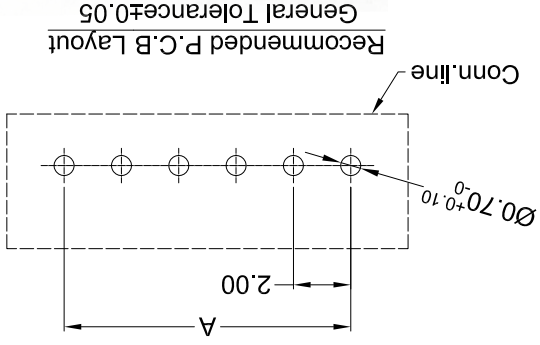
X2016 W V X-XX H2-N0 SN XX

① Series No.	② Category: W-WAFER	③ Welding Board Angle: V-180°; R-90°	④ Welding Way: Blank-DIP; S-SMT	⑤ Row No.-Pin No.: XX-Single Row; 2*XX-Double Row	⑥ Plug the Pin & Special No.: H2-Double sided insert	⑦ Material: N0-PA66 94V-0; 6T-PA6T 94V-0; 46-PA46	⑧ Plating Category: G**-Gold Plated Contact	V**- All Gold-Plated	01-Gold Flash 02-2u" 03-3u"	05-5u" 10-10u" 15-15u"	SN-Bright Tin Plating (70-120u")	SN1-Bright Tin Plating (120u" Min).	0-No Plating Material	SW- Fog Tin Plating	HS-Hight temperature Tin	⑨ Color: Blank-Natural Color																						
02	2.00	6.00	07	12.00	16.00	10	18.00	22.00	11	20.00	24.00	12	22.00	26.00	13	24.00	28.00	14	26.00	30.00	15	28.00	32.00	16	30.00	34.00	17	32.00	36.00	18	34.00	38.00	19	36.00	40.00	20	38.00	42.00

- Specifications:**
- Voltage rating: 100V AC / DC
 - Current rating: 2A AC / DC
 - Withstanding voltage: 800V AC/minute
 - Temperature range: -25°C~+85°C
 - Insulation resistance: ≥1000MΩ
 - Contact resistance: ≤10mΩ
 - After environmental testing: ≤20mΩ

For and on behalf of
KXB INDUSTRIAL PRECISION CO., LIMITED
 香港星坤工業精密有限公司

MARK	DESCRIPTION	DATE	REVISED	APPROVED	UNSPECIFIED TOLERANCES
△ X					L > 63
△ X					16 > L ≤ 63
△ X					4 < L ≤ 16
					L ≤ 4
					ANGULAR
					± 5°



PART NO	Material	Material(Pin)	Finish(Pin)	Suitable XKB Terminal	Poles	
					A	B
X2016WV-XX-6TSN	Nylon 6T UL94V-0	Brass	Tin-Plated	X2016H	02	03
X2016WV-XX-46SN	Nylon 46 UL 94V-0				04	05
X2016WV-XX-N0SN	Nylon 66 UL 94V-0				06	07

Poles	Dimensions (mm)		Poles	Dimensions (mm)	
	A	B		A	B
02	2.00	6.00	09	16.00	20.00
03	4.00	8.00	10	18.00	22.00
04	6.00	10.00	11	20.00	24.00
05	8.00	12.00	12	22.00	26.00
06	10.00	14.00	13	24.00	28.00
07	12.00	16.00	14	26.00	30.00
08	14.00	18.00	15	28.00	32.00

- ① Series No. X2016 W V X-XX XX -N0 SN XX
- ② Category: W-WAFER
- ③ Welding Board Angle: V-Straight 180°
- ④ Welding Way: Blank-DIP
- ⑤ Row No.-Pin No.: XX-02P~20P
- ⑥ Plug the Pin & Special No.: Blank-Without Kink
- ⑦ Material: 46 -PA46 94V-0 ; N0-PA66 94V-0 ;
- ⑧ Plating Category: SN-Bright Tin Plating
- ⑨ Color : Blank-Natural Color ; GY-Gray

- Specifications :
- Voltage rating: 100V AC / DC
 - Current rating: 2A AC / DC
 - Withstanding voltage: 800V AC/minute
 - Temperature range: -25°C~+85°C
 - Insulation resistance: ≥1000MΩ
 - Contact resistance: ≤10mΩ
 - After environmental testing: ≤20mΩ

DSND	DATE	SCALE: N/A	MODEL TYPE: X2016WV-XX-XSSN
DWN	DATE <td>VIEW: </td> <td>PART NO.:</td>	VIEW:	PART NO.:
CHKD	DATE <td>UNIT: mm</td> <td>DWG NO.:</td>	UNIT: mm	DWG NO.:
APPD	DATE <td>SIZE: A4</td> <td></td>	SIZE: A4	

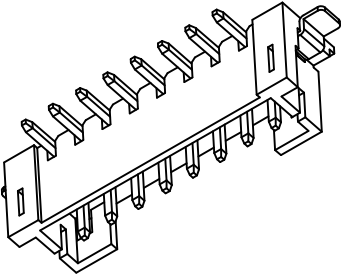
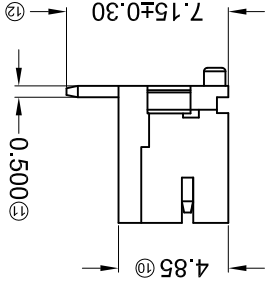
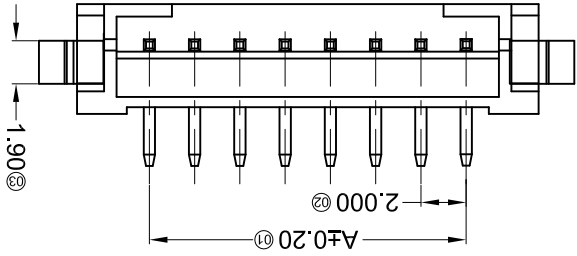
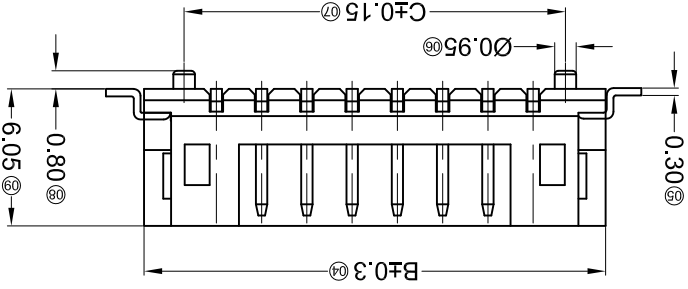
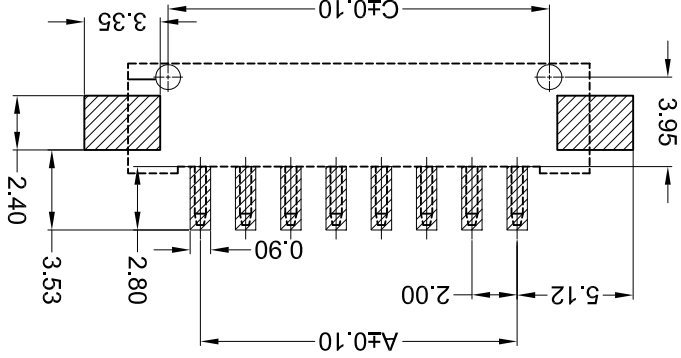
REVISION	SHEET	WEIGHT
A0	1/1	1.0g

For and on behalf of
XKB INDUSTRIAL PRECISION CO., LIMITED
 香港星坤工業精密有限公司

MARK	DESCRIPTION	REVISIONS			UNSPECIFIED TOLERANCES		
		DATE	REVISED	APPROVED	L > 63	±0.5	
△ X						16 < L ≤ 63	±0.4
△ X						4 < L ≤ 16	±0.3
△ X						L ≤ 4	±0.2
						ANGULAR	±5°

REVISION	SHEET	WEIGHT	XKB INDUSTRIAL PRECISION CO., LIMITED			
A0	1/1	1.0g	DATE	DATE	DATE	DATE
			SIZE: A4			
			UNIT: mm			
			VIEW:			
			PART NO.: X2016WVS-XXS-46SN			
			SCALE: N/A			
			MODEL TYPE: X2016WVS-XXS-46SN			

Recommended P.C.B Layout
 General Tolerance ±0.05



PART NO	Material	Material (Pin and Solder Tabs)	Thin-Plated	Suitable XKB Terminal			
				X2016H	X2016G	X2016F	X2016E
X2016WVS-XXS-46SN	PA46 UL 94V-0	Brass					

Poles	Dimensions (mm)			Poles	Dimensions (mm)		
	A	B	C		A	B	C
02	2.00	8.40	4.85	09	16.00	22.40	18.85
03	4.00	10.40	6.85	10	18.00	24.40	20.85
04	6.00	12.40	8.85	11	20.00	26.40	22.85
05	8.00	14.40	10.85	12	22.00	28.40	24.85
06	10.00	16.40	12.85	13	24.00	30.40	26.85
07	12.00	18.40	14.85	14	26.00	32.40	28.85
08	14.00	20.40	16.85	15	28.00	34.40	30.85

- X2016 W V S-XX S -46 SN XX
- Series No.
 - Category: W-WAFER
 - Welding Board Angle: V-Straight 180°
 - Welding Way: S-SMT
 - Row No.-Pin No.: XX-02P~20P
 - Plug the Pin & Special No.:
 - S-With positioning column
 - Material: 46 -PA46 94V-0;
 - Plating Category: SN-Bright Tin Plating
 - Color: Blank-Natural Color

- Specifications:
- Voltage rating: 100V AC / DC
 - Current rating: 2A AC / DC
 - Withstanding voltage: 800V AC/minute
 - Temperature range: -25°C~+85°C
 - Insulation resistance: ≥1000MΩ
 - Contact resistance: ≤10mΩ
 - After environmental testing: ≤20mΩ

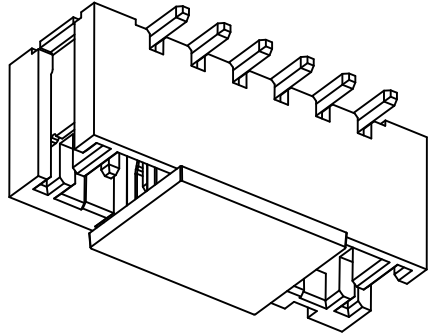
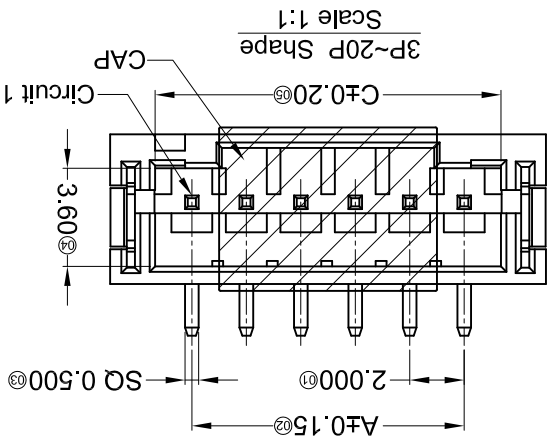
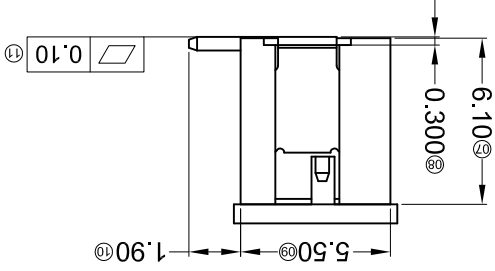
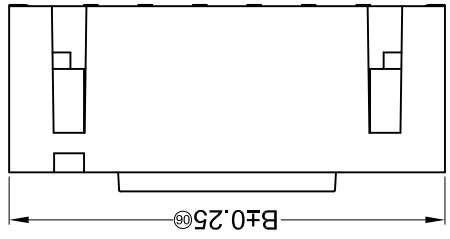
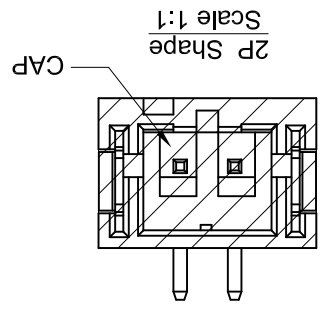
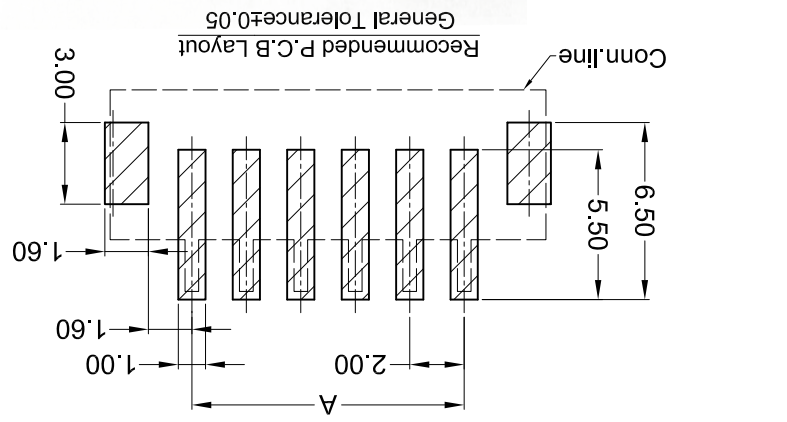
For and on behalf of
XKB INDUSTRIAL PRECISION CO., LIMITED
 香港星洲工業精密有限公司

MARK	DESCRIPTION	DATE	REVISIONS	APPROVED	REVISOR	REVISION
△ X						
△ X						
△ X						

UNSPECIFIED TOLERANCES

MARK	DESCRIPTION	DATE	REVISIONS	APPROVED	REVISOR	REVISION
△ X						
△ X						
△ X						

UNSPECIFIED TOLERANCES



Poles	Dimensions (mm)			Poles	Dimensions (mm)		
	A	B	C		A	B	C
02	2.00	8.00	4.70	09	16.00	22.00	18.70
03	4.00	10.00	6.70	10	18.00	24.00	20.70
04	6.00	12.00	8.70	11	20.00	26.00	22.70
05	8.00	14.00	10.70	12	22.00	28.00	24.70
06	10.00	16.00	12.70	13	24.00	30.00	26.70
07	12.00	18.00	14.70	14	26.00	32.00	28.70
08	14.00	20.00	16.70	15	28.00	34.00	30.70

PART NO	Material	Material(Fin)	Finish(Fin)	Material(Solder Tabs)	Finish(Fin)	Suitable XKB Terminal
X2016WVS-XX-9TWS	PA9T UL 94V-0	Tin-Plated	Gold-Flash	Phosphor Bronze	Gold-Flash	X2016H
X2016WVS-XX-9TV01	LCP UL 94V-0	Tin-Plated	Gold-Flash	Phosphor Bronze	Gold-Flash	X2016H
X2016WVS-XX-LPSW	LCP UL 94V-0	Tin-Plated	Gold-Flash	Phosphor Bronze	Gold-Flash	X2016H
X2016WVS-XX-LPSWHF	Halogen Free	Tin-Plated	Gold-Flash	Phosphor Bronze	Gold-Flash	X2016H

- Specifications :**
- Voltage rating: 100V AC / DC
 - Current rating: 2A AC / DC
 - Withstanding voltage: 800V AC/minute
 - Temperature range: -25°C~+85°C
 - Insulation resistance: ≥1000MΩ
 - Contact resistance: ≤10mΩ
 - After environmental testing: ≤20mΩ

- ① Series No.
 ② Category: W-WAFER
 ③ Welding Board Angle: V-Straight 180°
 ④ Welding Way: S-SMT
 ⑤ Row No-Pin No.: XX-02P~20P
 ⑥ Plug the Pin & Special No.
 ⑦ Material: LP-LCP 94V-0; 9T-PA9T 94V-0
 ⑧ Plating Category: SW-Matte Tin Plating; V01- Gold Flash
 ⑨ Color: HF-Halogen Free;

X2016 W V S-XX X-XX XXX XX

F

E

D

C

B

A

8

7

6

5

4

3

2

1

8

7

6

5

4

3

2

1

For and on behalf of
KXB INDUSTRIAL PRECISION CO., LIMITED
 香港星坤工業精密有限公司

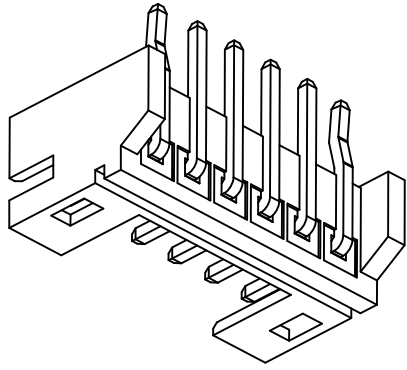
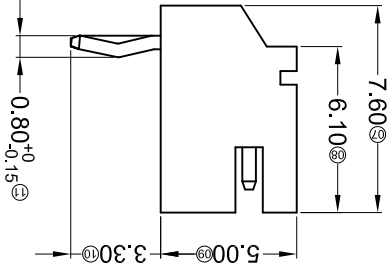
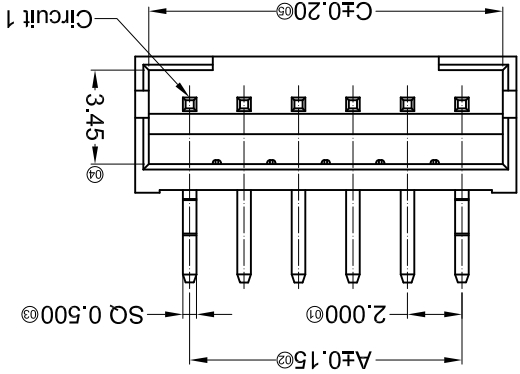
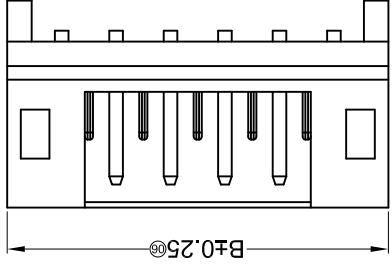
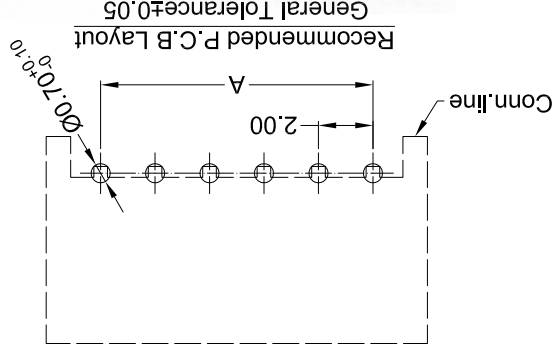
MARK	DESCRIPTION	DATE	REVISID	APPROVED	UNSPECIFIED TOLERANCES
△ X					L > 63
△ X					16 > L ≤ 63
△ X					4 < L ≤ 16
△ X					L ≤ 4
					ANGULAR
					±5°

REVISIONS	DATE	REVISID	APPROVED	UNSPECIFIED TOLERANCES
				L > 63
				16 > L ≤ 63
				4 < L ≤ 16
				L ≤ 4
				ANGULAR
				±5°

DATE	SCALE: N/A	MODEL TYPE:	2016WR-XXK-N0SN
DWNDN	VIEW:	PART NO.:	2016WR-XXK-N0SN
CHKD	UNIT: mm	DWG NO.:	
APPD	DATE	SIZE: A4	
	DATE		
	DATE		

DATE	SCALE: N/A	MODEL TYPE:	2016WR-XXK-N0SN
DWNDN	VIEW:	PART NO.:	2016WR-XXK-N0SN
CHKD	UNIT: mm	DWG NO.:	
APPD	DATE	SIZE: A4	
	DATE		
	DATE		

WEIGHT	SHEET	REVISION
1.0g	1/1	A0



PART NO	Material	Material (Pn)	Finish (Pn)	Suitable XKB Terminal
X2016WR-XXK-N0SN	Nylon 66 UL 94V-0	Brass	Tin-Plated	X2016H

Dimensions (mm)	Dimensions (mm)	Dimensions (mm)	Dimensions (mm)	Dimensions (mm)	Dimensions (mm)	Dimensions (mm)	Dimensions (mm)
08	14.00	18.00	17.00	15	28.00	32.00	31.00
07	12.00	16.00	15.00	14	26.00	30.00	29.00
06	10.00	14.00	13.00	13	24.00	28.00	27.00
05	8.00	12.00	11.00	12	22.00	26.00	25.00
04	6.00	10.00	9.00	11	20.00	24.00	23.00
03	4.00	8.00	7.00	10	18.00	22.00	21.00
02	2.00	6.00	5.00	09	16.00	20.00	19.00
	A	B	C		A	B	C
	Poles				Poles		
	Dimensions (mm)				Dimensions (mm)		

① Series No. X2016 W R X-XX K -N0 SN XX
 ② Category: W-WAFER
 ③ Welding Board Angle: R-Right Angle 90°
 ④ Welding Way: Blank-DIP
 ⑤ Row No.-Pin No.: XX-02P~20P
 ⑥ Plug the Pin & Special No.: K-kink, DIP=3.30mm
 ⑦ Material: N0-PA66 94V-0
 ⑧ Plating Category: SN-Right Tin Plating
 ⑨ Color: Blank-Natural Color

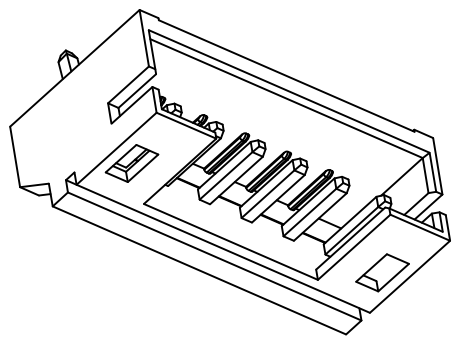
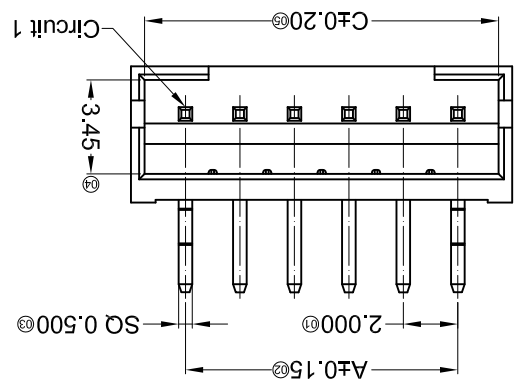
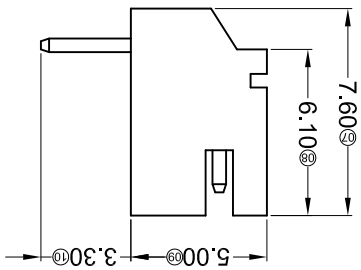
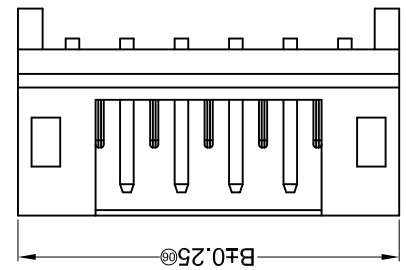
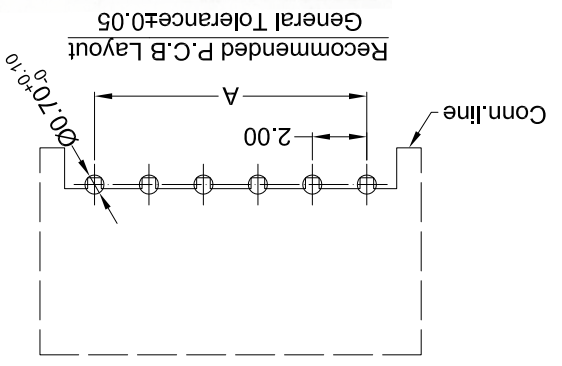
- Specifications:
- Voltage rating: 100V AC / DC
 - Current rating: 2A AC / DC
 - Withstanding voltage: 800V AC/minute
 - Temperature range: -25°C~+85°C
 - Insulation resistance: ≥1000MΩ
 - Contact resistance: ≤10mΩ
 - After environmental testing: ≤20mΩ

For and on behalf of
XKB INDUSTRIAL PRECISION CO., LIMITED
 香港星坤工業精密有限公司
 REVISIONS
 Authorized Signature(s)

MARK	DESCRIPTION	DATE	REVISED	APPROVED	UNSPECIFIED TOLERANCES
△ X					L > 63
△ X					16 > L ≤ 63
△ X					4 < L ≤ 16
△ X					L ≤ 4
					ANGULAR ±5°

REVISION	SHEET	WEIGHT	1.0g	8
A0	1/1			

DSND	DATE	SCALE: N/A	MODEL TYPE:	2016WR-XX-NOSN
DWN <th>DATE</th> <th>VIEW:</th> <th>PART NO.:</th> <th>2016WR-XX-NOSN</th>	DATE	VIEW:	PART NO.:	2016WR-XX-NOSN
CHKD <th>DATE</th> <th>UNIT: mm</th> <th>DWG NO.:</th> <th>2.00 mm Crimp Style Connectors</th>	DATE	UNIT: mm	DWG NO.:	2.00 mm Crimp Style Connectors
APPD <th>DATE</th> <th>SIZE: A4</th> <th></th> <th></th>	DATE	SIZE: A4		



PART NO	Material	Material(Pin)	Finish(Pin)	Suitable XKB Terminal
X2016WR-XX-NOSN	Nylon 66 UL 94V-0	Brass	Tin-Plated	X2016H

Poles	Dimensions (mm)		
	A	B	C
02	2.00	6.00	5.00
03	4.00	8.00	7.00
04	6.00	10.00	9.00
05	8.00	12.00	11.00
06	10.00	14.00	13.00
07	12.00	16.00	15.00
08	14.00	18.00	17.00

Dimensions (mm)		Poles	
A	B	A	B
33.00	34.00	19.00	20.00
35.00	36.00	21.00	22.00
37.00	38.00	23.00	24.00
39.00	40.00	25.00	26.00
41.00	42.00	27.00	28.00
		29.00	30.00
		31.00	32.00

- ① Series No.
- ② Category: W-WAFER
- ③ Welding Board Angle: R-Right Angle 90°
- ④ Welding Way: Blank-DIP
- ⑤ Row No.-Pin No.: XX-02P~20P
- ⑥ Plug the Pin & Special No.: Blank-Without kink
- ⑦ Material: NO-PA66 94V-0
- ⑧ Plating Category: SN-Bright Tin Plating
- ⑨ Color: Blank-Natural Color;

X2016 W R X-XX XX -N0 SN XX
 ① ② ③ ④ ⑤ ⑥ ⑦ ⑧ ⑨

- Specifications :
- Voltage rating: 100V AC / DC
 - Current rating: 2A AC / DC
 - Withstanding voltage: 800V AC/minute
 - Temperature range: -25°C~+85°C
 - Insulation resistance: ≥100MΩ
 - Contact resistance: ≤10mΩ
 - After environmental testing: ≤20mΩ

For and on behalf of
XKB INDUSTRIAL PRECISION CO., LIMITED
 香港星坤工業精密有限公司

MARK	DESCRIPTION	DATE	REVISED	APPROVED	UNSPECIFIED TOLERANCES	
					L > 63	± 0.5
△ X					16 > L ≤ 63	± 0.4
△ X					4 < L ≤ 16	± 0.3
△ X					L ≤ 4	± 0.2
					ANGULAR	± 5°

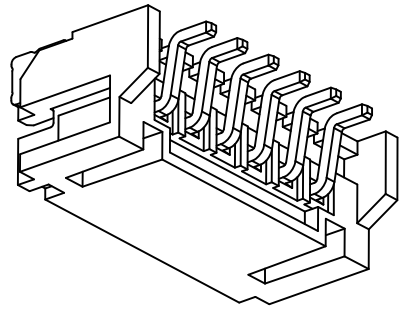
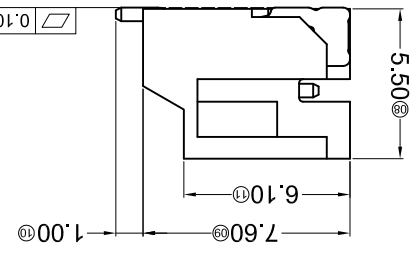
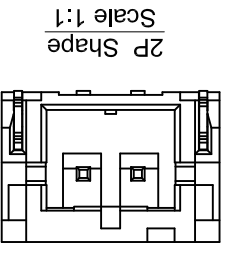
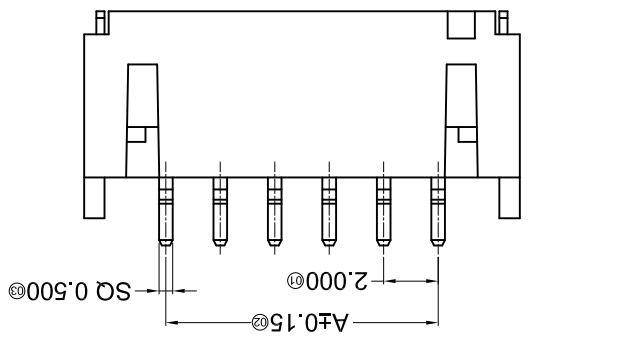
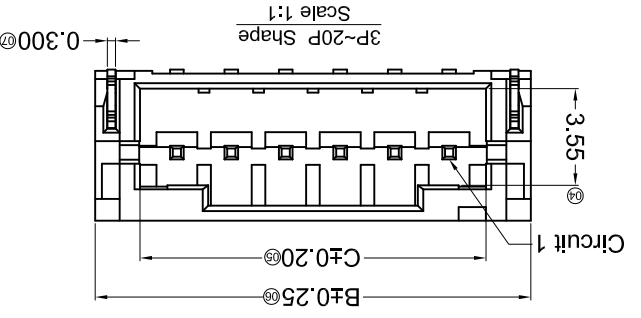
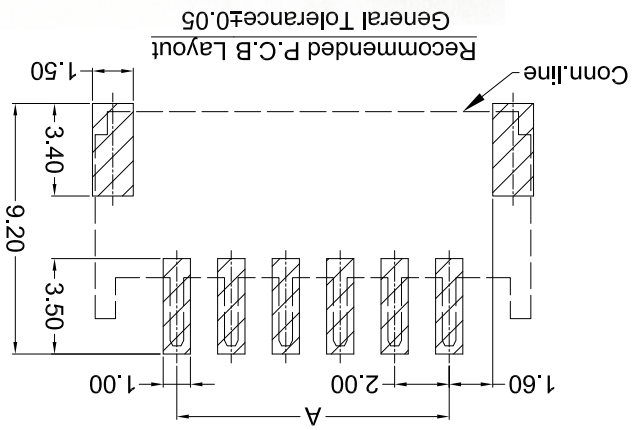
REVISIONS	SIGNATURE(S)	

DATE	DATE	DATE	DATE	DATE	DATE

APPD	CHKD	DWN	DSND

SIZE: A4	UNIT: mm	VIEW:	SCALE: N/A

WEIGHT	SHEET	REVISION
1.0g	1/1	A0



PART NO	MATERIAL	FINISH	PLATING	TERMINAL
X2016WRS-XX-9T15BK	PA9T UL 94V-0 Black	Tin-Plated	Gold	Gold-Flash
X2016WRS-XX-LP5W	LCP UL 94V-0	Tin-Plated	None	None
X2016WRS-XX-LP5WHF	LCP UL 94V-0 Halogen Free	Tin-Plated	None	None
X2016WRS-XX-9T5N	PA9T UL 94V-0	Tin-Plated	None	None

Dimensions (mm)	A	B	C	Poles	Dimensions (mm)	A	B	C
08	14.00	20.00	16.70	15	28.00	34.00	30.70	
07	12.00	18.00	14.70	14	26.00	32.00	28.70	
06	10.00	16.00	12.70	13	24.00	30.00	26.70	
05	8.00	14.00	10.70	12	22.00	28.00	24.70	
04	6.00	12.00	8.70	11	20.00	26.00	22.70	
03	4.00	10.00	6.70	10	18.00	24.00	20.70	
02	2.00	8.00	4.70	09	16.00	22.00	18.70	
				16	30.00	36.00	32.70	
				17	32.00	38.00	34.70	
				18	34.00	40.00	36.70	
				19	36.00	42.00	38.70	
				20	38.00	44.00	40.70	

- ① Series No.
 ② Category: W-WAFER
 ③ Welding Board Angle: R-Right Angle 90°
 ④ Welding Way: S-SMT
 ⑤ Row No.-Pin No.: XX-02P~20P
 ⑥ Plug the Pin & Special No.
 ⑦ Material: 9T-PA9T 94V-0 LP-LCP 94V-0
 ⑧ Plating Category: SW-Matte Tin Plating; V15-Gold 15u"
 ⑨ Color: HF-Halogen Free; Blank-Natural Color; BK-Black

- Specifications:
- Voltage rating: 100V AC / DC
 - Current rating: 2A AC / DC
 - Withstanding voltage: 800V AC/minute
 - Temperature range: -25°C~+85°C
 - Insulation resistance: ≥100MΩ
 - Contact resistance: ≤10mΩ
 - After environmental testing: ≤20mΩ

8 7 6 5 4 3 2 1

A B C D E F

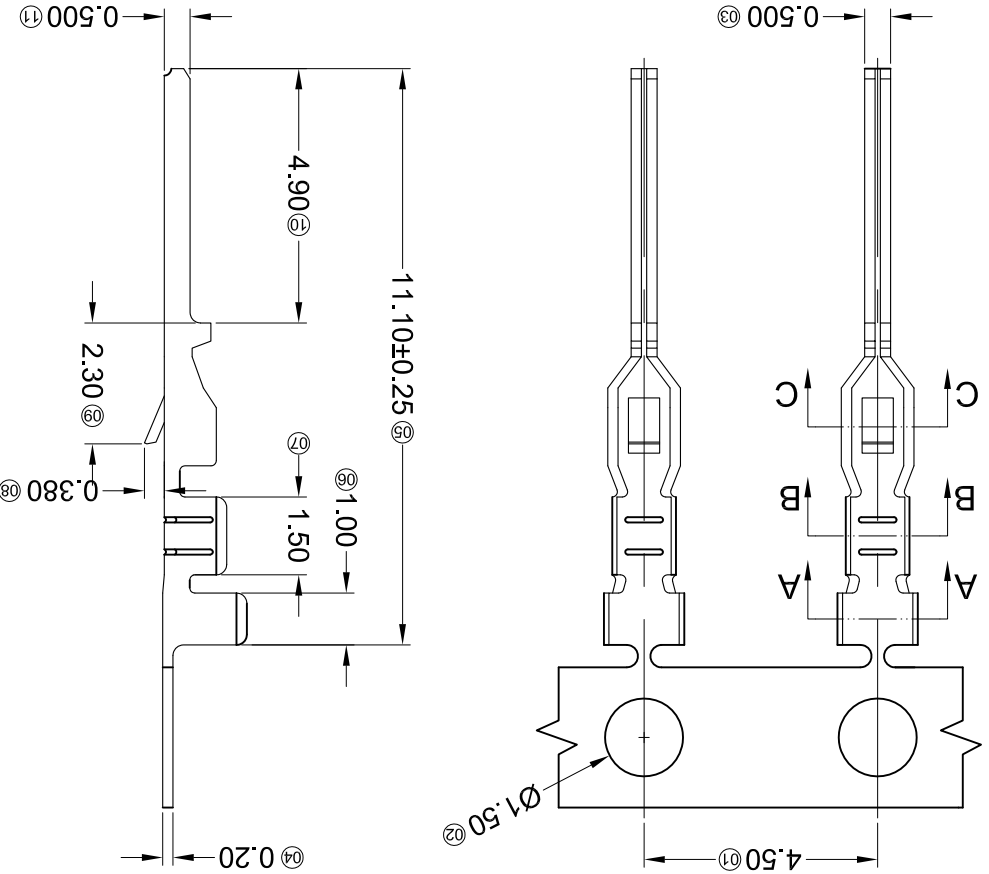
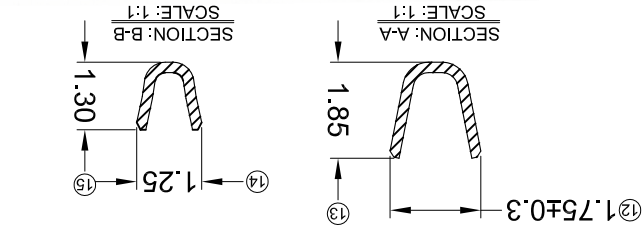
For and on behalf of
XKB INDUSTRIAL PRECISION CO., LIMITED
 香港星坤工業精密有限公司

REVISIONS		UNSPECIFIED TOLERANCES	
MARK	DESCRIPTION	APPROVED	REVISIED
△ X		L > 63	± 0.5
△ X		16 < L ≤ 63	± 0.4
△ X		4 < L ≤ 16	± 0.3
△ X		L ≤ 4	± 0.2
		ANGULAR	± 5°

REVISIONS		UNSPECIFIED TOLERANCES	
MARK	DESCRIPTION	APPROVED	REVISIED
△ X		L > 63	± 0.5
△ X		16 < L ≤ 63	± 0.4
△ X		4 < L ≤ 16	± 0.3
△ X		L ≤ 4	± 0.2
		ANGULAR	± 5°

MODEL TYPE:	SCALE: N/A	DATE:
X2016TM-PSN		
PART NO.:	VIEW:	DATE:
2.00 mm Crimp Style Connectors		
DWG NO.:	UNIT: mm	DATE:
SIZE: A4		
WEIGHT	SHEET	REVISION
1.0g	1/1	
AO		

PART NO	Material	Wire Range	Insulation O.D.	Finish	Suitable XKB Terminal
X2016TM-PSN	Phosphor Bronze	AWG#26-28	1.30mm(Max)	Stamping Before plating:30u" MIN, Nt.70u"Sn	X2016HF



X2016 T M-P SN X - X
 ① ② ③ ④ ⑤ ⑥ ⑦

- ① Series Number
- ② Category: T-terminal
- ③ Shape: M-Male
- ④ Material: P-Phosphor bronze
- ⑤ Plating style: SN-Bright tin plating
- ⑥ Plating method: Blank-Stamping before plating
- ⑦ Mold No./Mark/Special No.

- Specifications :
- Voltage rating: 100V AC / DC
 - Current rating: 2A AC / DC
 - Withstanding voltage: 800V AC/minute
 - Temperature range: -25°C~+85°C
 - Insulation resistance: ≥1000MΩ
 - Contact resistance: ≤10mΩ
 - After environmental testing: ≤20mΩ

For and on behalf of
KKB INDUSTRIAL PRECISION CO., LIMITED
 香港星坤工業精密有限公司

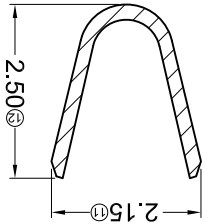
MARK	DESCRIPTION	DATE	REVISED	APPROVED	UNSPECIFIED TOLERANCES
△ X					L > 63 ± 0.5
△ X					16 < L ≤ 63 ± 0.4
△ X					4 < L ≤ 16 ± 0.3
△ X					L ≤ 4 ± 0.2
					ANGULAR ± 5°

REVISION	SHEET	WEIGHT	DATE	DATE	DATE	DATE	DATE
A0	1/1	1.0g					

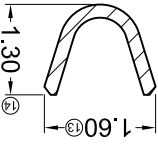
KKB INDUSTRIAL PRECISION CO., LIMITED

DNSD	SCALE: N/A	MODEL TYPE: X2016T-P-XXXX	VIEW:	PART NO.:	2.00 mm Crimp Style Connectors	DWG NO.:	SIZE: A4
DWN	DATE	DATE	DATE	DATE	DATE	DATE	DATE
CHKD	DATE	DATE	DATE	DATE	DATE	DATE	DATE
APPD	DATE	DATE	DATE	DATE	DATE	DATE	DATE

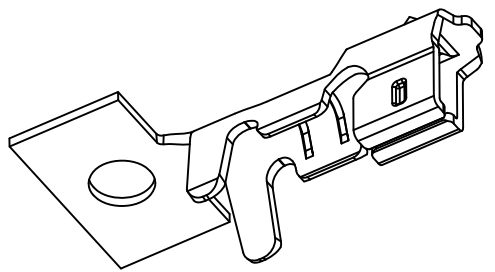
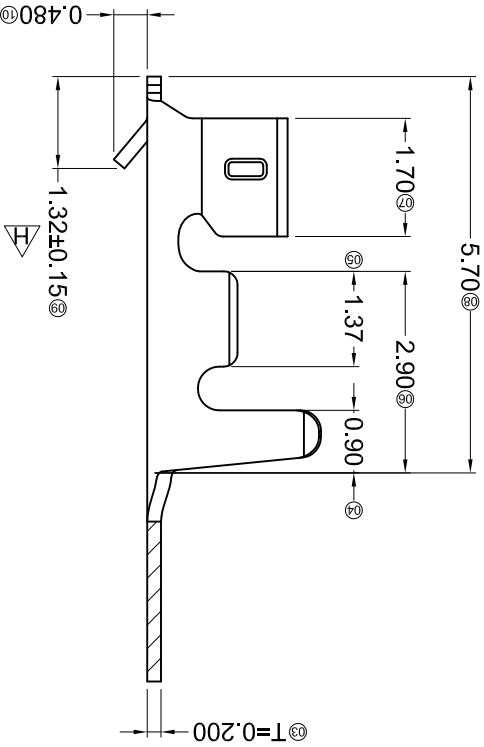
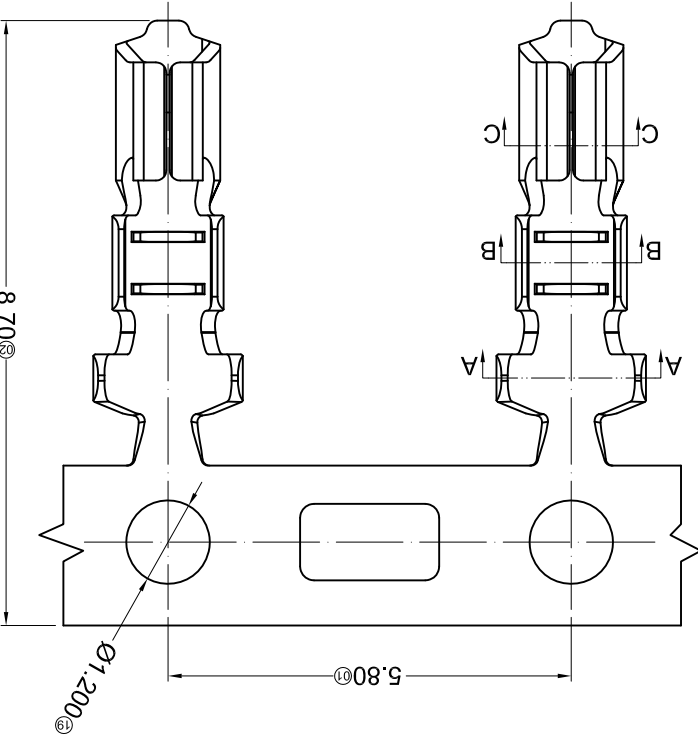
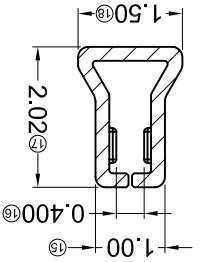
SECTION: A-A
SCALE: 1:1



SECTION: B-B
SCALE: 1:1



SECTION: C-C
SCALE: 1:1



- Specifications :**
- Voltage rating: 100V AC / DC
 - Current rating: 2A AC / DC
 - Withstanding voltage: 800V AC/minute
 - Temperature range: -25°C~+85°C
 - Insulation resistance: ≥1000MΩ
 - Contact resistance: ≤10mΩ
 - After environmental testing: ≤20mΩ

X2016 T X-P XXX X - X

① Series Number
 ② Category: T-terminal
 ③ Shape: Blank-ordinary
 ④ Material: P-Phosphor bronze
 ⑤ Plating style: V01-Gold Flash ; SN-Bright tin plating
 ⑥ Plating method: Blank-stamping before plating
 B-Plating before stamping
 ⑦ Mold No./Mark/Special No.

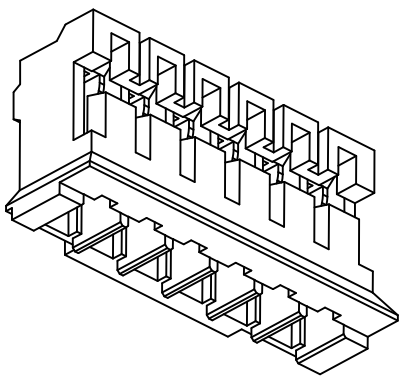
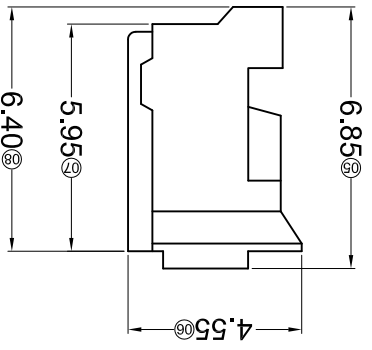
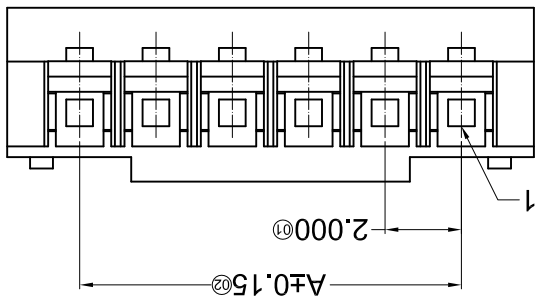
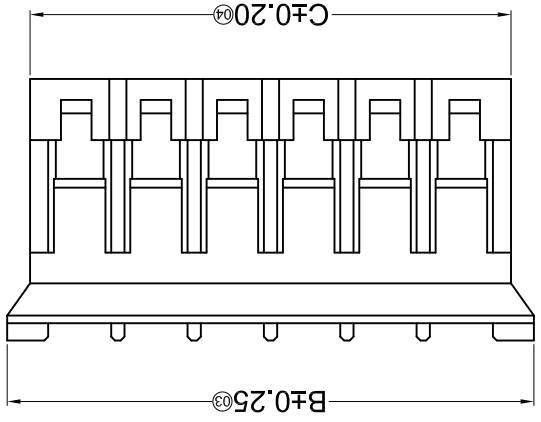
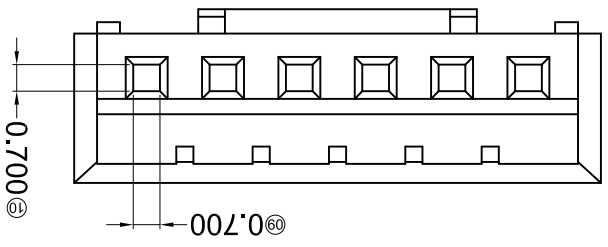
XPART NO	Material	Wire Range	Insulation O.D.	Finish	Suitable XKB Terminal
X2016T-PV01	Phosphor Bronze	AWG#24-30	1.50mm(Max)	Stamping Before plating:30u" MIN. Nf. 70u"Sn Whole Gold ;Gold Flash	X2016H
X2016T-P-SNB	Phosphor Bronze	AWG#24-30	1.50mm(Max)	Plating Before Stamping:10u" MIN. Nf. : 30u"Sn	X2016H
X2016T-P-PSN	Phosphor Bronze	AWG#24-30	1.50mm(Max)	Stamping Before plating:30u" MIN. Nf. 70u"Sn	X2016H

For and on behalf of
KXB INDUSTRIAL PRECISION CO., LIMITED
 香港星坤工業精密有限公司

REVISIONS
 Authorized Signatures(s)

MARK	DESCRIPTION	DATE	REVISED	APPROVED	UNSPECIFIED TOLERANCES
△ X					L > 63 ± 0.5
△ X					16 < L ≤ 63 ± 0.4
△ X					4 < L ≤ 16 ± 0.3
△ X					L ≤ 4 ± 0.2
					ANGULAR ± 5°

REVISION	SHEET	WEIGHT	1/1	1.0g	8
KXB INDUSTRIAL PRECISION CO., LIMITED					7
APPD: DATE: SIZE: A4					6
CHKD: DATE: UNIT: mm					5
DWN: DATE: VIEW:					4
DSND: DATE: SCALE: N/A					3
PART NO.: X2016H-XX-N0XX					2
MODEL TYPE: X2016H-XX-N0XX					1



PART NO	Material	Suitable XKB Terminal	Suitable XKB Terminal
X2016H-XX-N0	Nylon 66 UL 94V-0		Suitable XKB Terminal
X2016H-XX-N0HF	PA66 UL 94V-0 Halogen Free	X2016T	
X2016H-XX-N0C	Nylon 66 UL 94V-0		X2016W

Poles	Dimensions (mm)		
	A	B	C
02	2.00	5.80	4.60
03	4.00	7.80	6.60
04	6.00	9.80	8.60
05	8.00	11.80	10.60
06	10.00	13.80	12.60
07	12.00	15.80	14.60
08	14.00	17.80	16.60
09	16.00	19.80	18.60
10	18.00	21.80	20.60
11	20.00	23.80	22.60

- ① Series No.
 - ② Category: H-HSG
 - ③ Appearance type: Blank-Ordinary
 - ④ Row No.-Pin No.: XX-02P~20P
 - ⑤ Plug the Pin & special No.: Blank-Ordinary
 - ⑥ Material: N0-PA66 94V-0
 - ⑦ HF-Halogen Free
 - ⑧ C-Glowing Filament;
- X2016 H X-XX X-N0 HF-C

- Specifications:
- Voltage rating: 100V AC / DC
 - Current rating: 2A AC / DC
 - Withstanding voltage: 800V AC/minute
 - Temperature range: -25°C~+85°C
 - Insulation resistance: ≥1000MΩ
 - Contact resistance: ≤10mΩ
 - After environmental testing: ≤20mΩ

For and on behalf of
XKB INDUSTRIAL PRECISION CO., LIMITED
 香港星坤工業精密有限公司

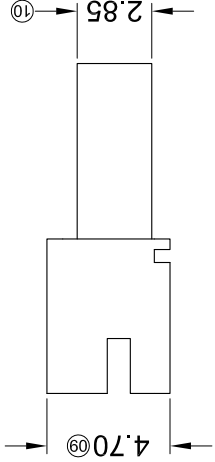
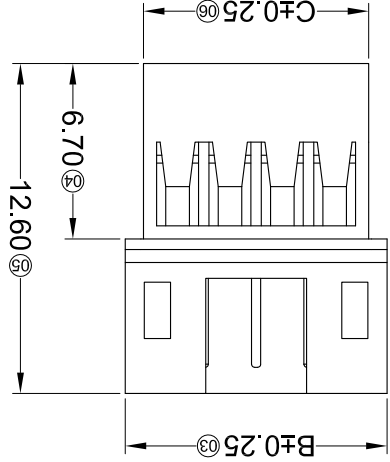
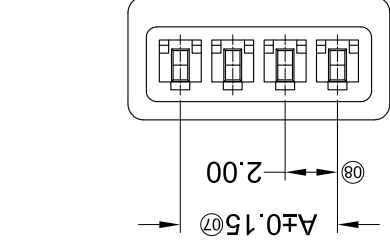
MARK	DESCRIPTION	DATE	REVISED	APPROVED	UNSPECIFIED TOLERANCES
△ X					L > 63
△ X					16 < L ≤ 63
△ X					4 < L ≤ 16
					L ≤ 4
					ANGULAR
					± 5°

REVISION	SHEET	WEIGHT	DATE	DATE	DATE	DATE	DATE
A0	1/1	1.0g					

XKB INDUSTRIAL PRECISION CO., LIMITED

DNSD	SCALE: N/A	DATE	
DWN	VIEW:	DATE	
CHKD	UNIT: mm	DATE	
APPD	SIZE: A4	DATE	

PART NO.: X2016HF-XX-N0XX
 MODEL TYPE: X2016HF-XX-N0XX
 PART NO.: 2.0mm Crimp Style Connectors
 DWG NO.:



PART NO	Material	Suitable XKB Terminal	Suitable XKB Terminal
X2016HF-XX-N0	Nylon 66 UL 94V-0	X2016TM	Suitable XKB Terminal
X2016HF-XX-N0BK	Nylon 66 UL 94V-0 Black	X2016TM	Suitable XKB Terminal
X2016W			Suitable XKB Terminal

Poles	Dimensions (mm)		
	A	B	C
02	2.00	6.00	4.60
03	4.00	8.00	6.60
04	6.00	10.00	8.60
05	8.00	12.00	10.60
06	10.00	14.00	12.60
07	12.00	16.00	14.60
08	14.00	18.00	16.60
09	16.00	20.00	18.60
10	18.00	22.00	20.60
11	20.00	24.00	22.60

- ① Series No.
- ② Category: H-HSG
- ③ Welding Board Angle: F-Female HSG
- ④ Row No.-Pin No.: XX-02P~20P
- ⑤ Plug the Pin & special No.:
- ⑥ Material: N0-PA66 94V-0;
- ⑦ Color: Blank-natural color; BK-Black

X2016 H F-XX X-N0 XX

- Specifications :
- Voltage rating: 125V AC / DC
 - Current rating: 1A AC / DC
 - Withstanding voltage: 250V AC/minute
 - Temperature range: -25°C~+85°C
 - Insulation resistance: ≥100MΩ
 - Contact resistance: ≤20mΩ
 - After environmental testing: ≤40mΩ

X-ON Electronics

Largest Supplier of Electrical and Electronic Components

Click to view similar products for [Headers & Wire Housings](#) category:

Click to view products by [XKB](#) manufacturer:

Other Similar products are found below :

[95000-104TRLF](#) [10135584-644402LF](#) [DF62W-EP2022PCA](#) [95000-106TRLF](#) [DF62W-2022SCA](#) [DF62W-EP2022PC](#) [2203348](#) [DF62W-2022SC](#) [1084018](#) [1029039](#) [1084017](#) [802-10-012-10-002000](#) [1112640](#) [1112639](#) [891-007-9SS-BST1T](#) [000-34000](#) [0008550134](#) [0009482033](#) [0009507031](#) [57102-F02-18ULF](#) [57102-S06-03LF](#) [57202-S52-04LF](#) [PCN6-15S-2.5E](#) [0039019024](#) [58102-G61-06LF](#) [582553-1](#) [0009485154](#) [0009508121](#) [0022285053](#) [0050291907](#) [018731A](#) [LY20-4P-DT1-P1E-BR](#) [02.125.8002.8](#) [60101931](#) [60598-1 \(Cut Strip\)](#) [M1625-3R/100](#) [61062-3](#) [61082-181009](#) [CSU011177004](#) [636-1427](#) [638009-1](#) [641938-9](#) [641991-4](#) [644168-1](#) [644827-2](#) [647662-1](#) [65039-019ELF](#) [65692-001LF](#) [65781-018](#) [65781-047](#)