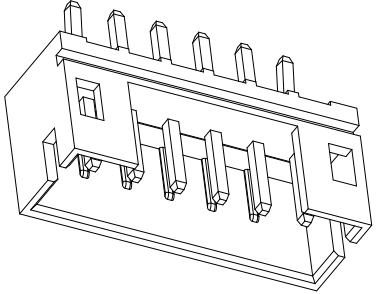
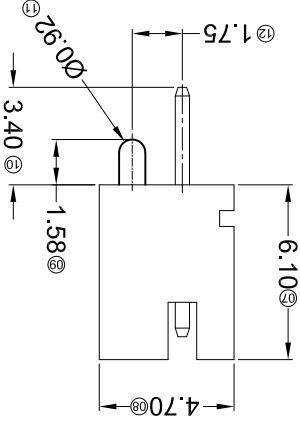
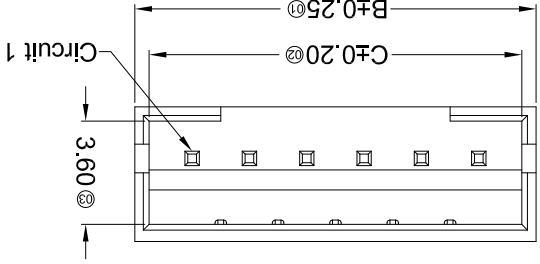
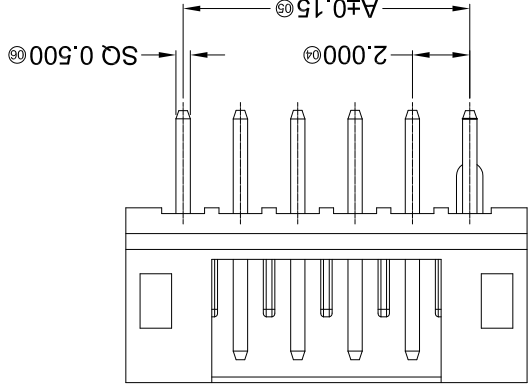
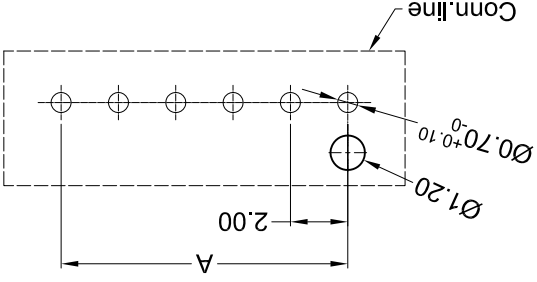


For and on behalf of  
**KXB INDUSTRIAL PRECISION CO., LIMITED**  
 香港星坤工業精密有限公司

MARK	DESCRIPTION	REVISIONS			UNSPECIFIED TOLERANCES	
		DATE	REVISED	APPROVED	APPROVED	DATE
△ X						±0.5
△ X						16 > L ≤ 63
△ X						4 < L ≤ 16
						L ≤ 4
						ANGULAR
						±5°

DMSD	DATE	SCALE: N/A	MODEL TYPE: X2016WV-XXS-LPSN	VIEW:	UNIT: mm	SIZE: A4	WEIGHT		REVISION
							1.0g	1/1	
DWN	DATE		PART NO.:						
CHKD	DATE		DWG NO.:						
APPD	DATE		<b>KXB INDUSTRIAL PRECISION CO., LIMITED</b>						

Recommended P.C.B Layout  
 General Tolerance ±0.05



PART NO	Material	Material(Pin)	Finish(Pin)	Suitable XKB Terminal
X2016WV-XXS-LPSN	LCP UL 94V-0	Brass	Tin-Plated	X2016H

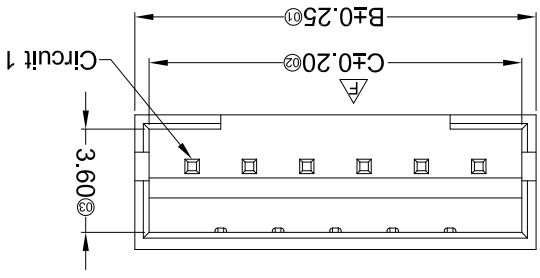
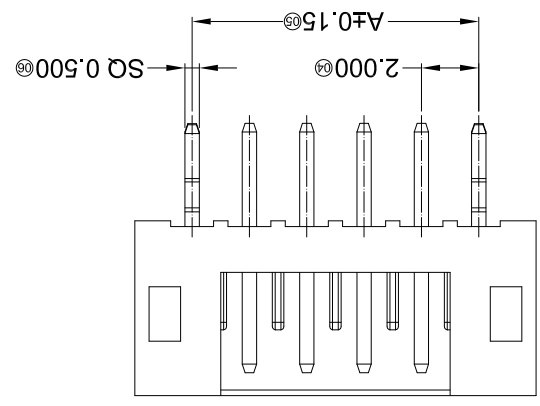
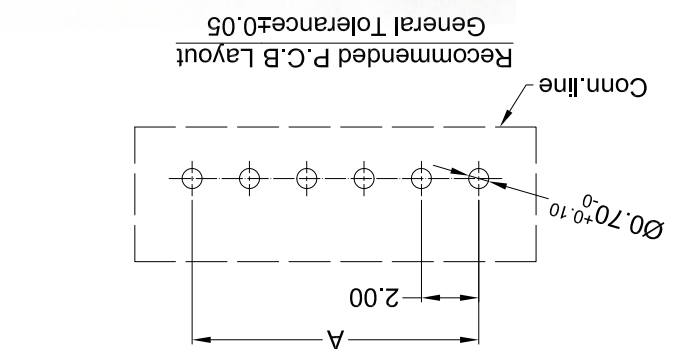
Poles	Dimensions (mm)			Poles	Dimensions (mm)		
	A	B	C		A	B	C
02	2.00	6.00	5.00	09	16.00	20.00	19.00
03	4.00	8.00	7.00	10	18.00	22.00	21.00
04	6.00	10.00	9.00	11	20.00	24.00	23.00
05	8.00	12.00	11.00	12	22.00	26.00	25.00
06	10.00	14.00	13.00	13	24.00	28.00	27.00
07	12.00	16.00	15.00	14	26.00	30.00	29.00
08	14.00	18.00	17.00	15	28.00	32.00	31.00

- Specifications :**
- Voltage rating: 100V AC / DC
  - Current rating: 2A AC / DC
  - Withstanding voltage: 800V AC/minute
  - Temperature range: -25°C~+85°C
  - Insulation resistance: ≥1000MΩ
  - Contact resistance: ≤10mΩ
  - After environmental testing: ≤20mΩ
- Series No.**
- X2016 W V X-XX S-LP SN XX
- ① Series No.  
 ② Category: W-WAFER  
 ③ Welding Board Angle: V-Straight 180°  
 ④ Welding Way: Blank-DIP  
 ⑤ Row No.-Pin No.: XX-02P~20P  
 ⑥ Plug the Pin & Special No.: Blank-Without Kink,S-With Post;  
 ⑦ Material: LP-LCP 94V-0;  
 ⑧ Plating Category: SN-Bright Tin Plating  
 ⑨ Color : Blank-Natural Color;

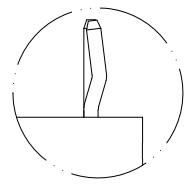


For and on behalf of  
**XKB INDUSTRIAL PRECISION CO., LIMITED**  
 香港星坤工業精密有限公司

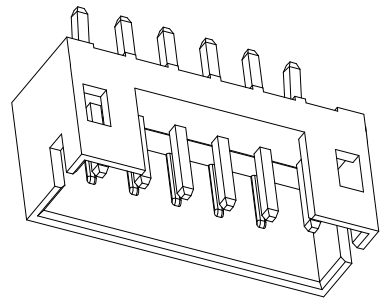
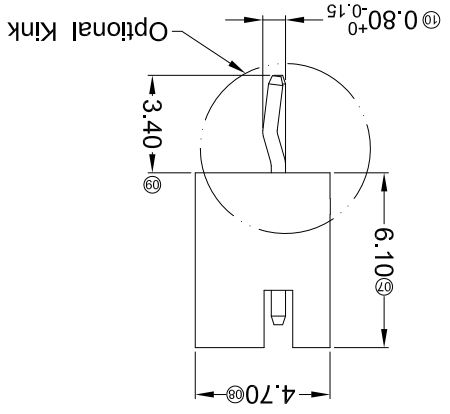
MARK	DESCRIPTION	DATE	REVISED	APPROVED	UNSPECIFIED TOLERANCES
△ X					L > 63
△ X					16 > L ≤ 63
△ X					4 < L ≤ 16
△ X					L ≤ 4
					ANGULAR
					± 5°



Reverse Kink(K1)



Kink(K)



- **Specifications :**
- Voltage rating: 100V AC / DC
  - Current rating: 2A AC / DC
  - Withstanding voltage: 800V AC/minute
  - Temperature range: -25°C~+85°C
  - Insulation resistance: ≥1000MΩ
  - Contact resistance: ≤10mΩ
  - After environmental testing: ≤20mΩ

X2016 W V X-XX KX -N0 SN XX  
 ① ② ③ ④ ⑤ ⑥ ⑦ ⑧ ⑨

- Series No.
- Category: W-WAFER
- Welding Board Angle: V-Straight 180°
- Welding Way: Blank-DIP
- Row No.-Pin No.: XX-02P~20P
- Plug the Pin & Special No.: K-Kink ; K1-Reverse Kink ;
- Material: 46 -PA46 94V-0 ; N0-PA66 94V-0
- Plating Category: SN-Bright Tin Plating ; V01-Gold Flash
- Color : Blank-Natural Color ; GY-Gray

PART NO	Material	Material(Pin)	Finish(Pin)	Suitable XKB Terminal
X2016WV-XXKX-46SNGV	Nylon 46 UL 94V-0 Gray	Brass	Tin-Plated	X2016H
X2016WV-XXKX-N0V01	Nylon 66 UL 94V-0		Gold-Flash	
X2016WV-XXKX-N0SN	Nylon 66 UL 94V-0		Tin-Plated	

Poles	Dimensions (mm)			Poles	Dimensions (mm)		
	A	B	C		A	B	C
02	2.00	6.00	4.80	09	16.00	20.00	18.80
03	4.00	8.00	6.80	10	18.00	22.00	20.80
04	6.00	12.00	8.80	11	22.00	24.00	22.80
05	8.00	16.00	10.80	12	24.00	26.00	24.80
06	10.00	20.00	12.80	13	26.00	28.00	26.80
07	12.00	24.00	14.80	14	28.00	30.00	28.80
08	14.00	28.00	16.80	15	30.00	32.00	30.80

DNSD	DATE	SCALE: N/A	MODEL TYPE: X2016WV-XXKX-XXXXXX
DWN	DATE	VIEW:	PART NO.:
CHKD	DATE	UNIT: mm	2.00 mm Crimp Style Connectors
APPD	DATE	SIZE: A4	DWG NO.:

WEIGHT	1.0g
SHEET	1/1
REVISION	A0

**XKB INDUSTRIAL PRECISION CO., LIMITED**

For and on behalf of  
**XKB INDUSTRIAL PRECISION CO., LIMITED**  
 香港星坤工業精密有限公司

MARK	DESCRIPTION	REVISIONS			UNSPECIFIED TOLERANCES	
		DATE	REVISED	APPROVED	L > 63	± 0.5
△ X					16 < L ≤ 63	± 0.4
△ X					4 < L ≤ 16	± 0.3
△ X					L ≤ 4	± 0.2
					ANGULAR	± 5°

REVISION		WEIGHT	XKB INDUSTRIAL PRECISION CO., LIMITED	
NO.	DESCRIPTION	1.0g	DATE	SIZE: A4
A0		1/1		

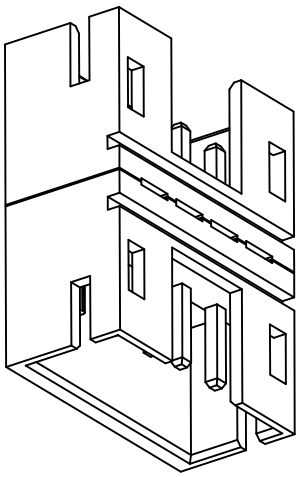
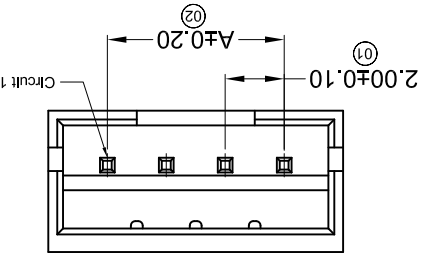
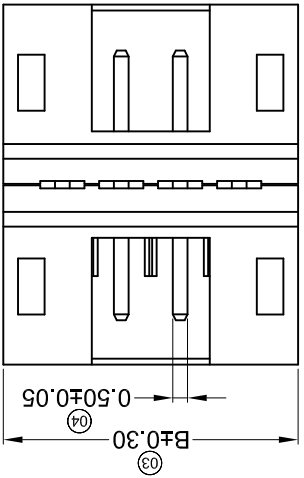
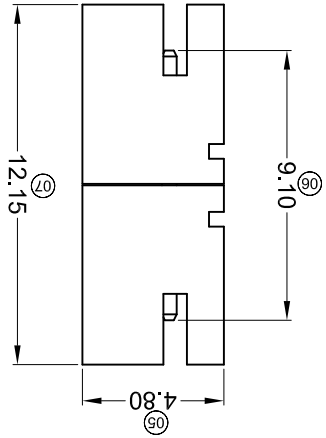
  

DSND	DATE	SCALE: N/A	MODEL TYPE: 2016WV-XXH2-N0SN
DWN	DATE <td>VIEW: </td> <td>PART NO.: 2.00 mm Crimp Style Connector</td>	VIEW:	PART NO.: 2.00 mm Crimp Style Connector
CHKD	DATE <td>UNIT: mm</td> <td>DWG NO.:</td>	UNIT: mm	DWG NO.:
APPD	DATE <td></td> <td></td>		

PART NO	Material	Material(Pin)	Finish(Pin)	Suitable XKB Terminal	Qty/Bag
X2016WV-XXH2-N0SN	Nylon 66 UL 94V-0	Brass	Tin-Plated	X2016H	1,000Pcs

Series No.	①	②	③	④	⑤	⑥	⑦	⑧	⑨
02	2.00	4.00	8.00	10.00	12.00	14.00	16.00	18.00	20.00
03	2.00	4.00	8.00	10.00	12.00	14.00	16.00	18.00	20.00
04	2.00	4.00	8.00	10.00	12.00	14.00	16.00	18.00	20.00
05	2.00	4.00	8.00	10.00	12.00	14.00	16.00	18.00	20.00
06	2.00	4.00	8.00	10.00	12.00	14.00	16.00	18.00	20.00
07	2.00	4.00	8.00	10.00	12.00	14.00	16.00	18.00	20.00
08	2.00	4.00	8.00	10.00	12.00	14.00	16.00	18.00	20.00
09	2.00	4.00	8.00	10.00	12.00	14.00	16.00	18.00	20.00
10	2.00	4.00	8.00	10.00	12.00	14.00	16.00	18.00	20.00
11	2.00	4.00	8.00	10.00	12.00	14.00	16.00	18.00	20.00
12	2.00	4.00	8.00	10.00	12.00	14.00	16.00	18.00	20.00
13	2.00	4.00	8.00	10.00	12.00	14.00	16.00	18.00	20.00
14	2.00	4.00	8.00	10.00	12.00	14.00	16.00	18.00	20.00
15	2.00	4.00	8.00	10.00	12.00	14.00	16.00	18.00	20.00
16	2.00	4.00	8.00	10.00	12.00	14.00	16.00	18.00	20.00
17	2.00	4.00	8.00	10.00	12.00	14.00	16.00	18.00	20.00
18	2.00	4.00	8.00	10.00	12.00	14.00	16.00	18.00	20.00
19	2.00	4.00	8.00	10.00	12.00	14.00	16.00	18.00	20.00
20	2.00	4.00	8.00	10.00	12.00	14.00	16.00	18.00	20.00

- ① Series No.
- ② Category: W-WAFER
- ③ Welding Board Angle: V-180°; R-90°
- ④ Welding Way: Blank-DIP; S-SMT
- ⑤ Row No.-Pin No.: XX-Single Row; 2\*XX-Double Row
- ⑥ Plug the Pin & Special No.: H2-Double sided insert
- ⑦ Material: N0-PA66 94V-0; 6T-PA6T 94V-0; 46-PA46
- ⑧ Plating Category: G\*\*-Gold Plated Contact  
 V\*\*- All Gold-Plated  
 01-Gold Flash 02-2u" 03-3u"  
 05-5u" 10-10u" 15-15u"  
 SN-Bright Tin Plating (70-120u")  
 SN1-Bright Tin Plating (120u" Min).  
 0-No Plating Material  
 SW-Fog Tin Plating  
 HS-Hight temperature Tin
- ⑨ Color: Blank-Natural Color

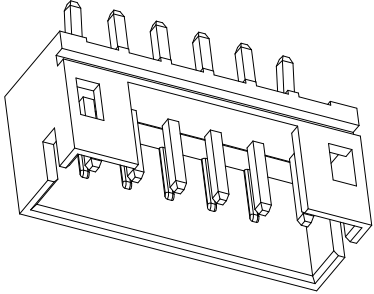
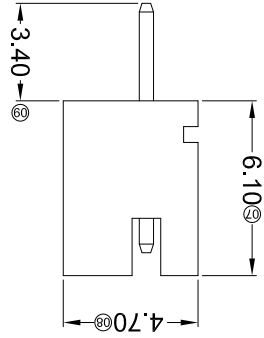
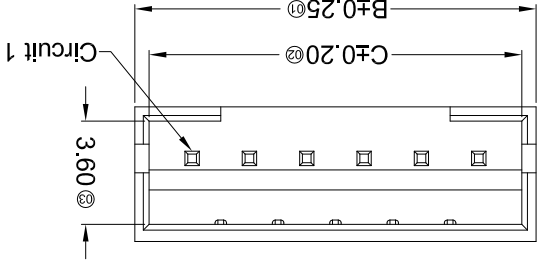
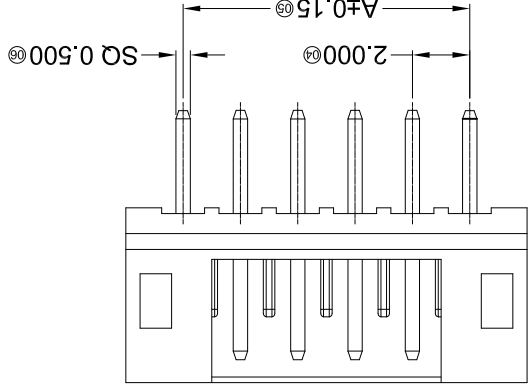
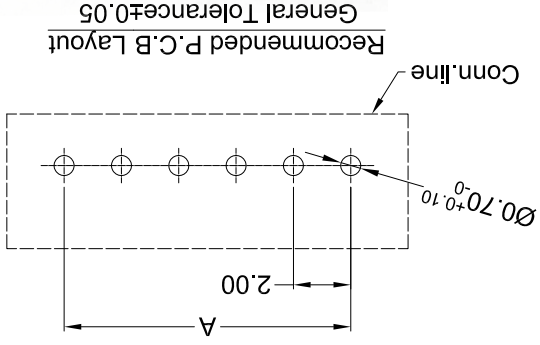


- Specifications:**
- Voltage rating: 100V AC / DC
  - Current rating: 2A AC / DC
  - Withstanding voltage: 800V AC/minute
  - Temperature range: -25°C~+85°C
  - Insulation resistance: ≥1000MΩ
  - Contact resistance: ≤10mΩ
  - After environmental testing: ≤20mΩ

For and on behalf of  
**KXB INDUSTRIAL PRECISION CO., LIMITED**  
 香港星坤工業精密有限公司

MARK	DESCRIPTION	REVISIONS			UNSPECIFIED TOLERANCES
		DATE	REVISED	APPROVED	
△X					L > 63
△X					16 > L ≤ 63
△X					4 < L ≤ 16
					L ≤ 4
					ANGULAR
					±5°

REVISIONS		WEIGHT		SHEET		REVISION	
		1.0g		1/1		A0	
MARK	DESCRIPTION	DATE	REVISED	APPROVED	UNSPECIFIED TOLERANCES		
△X					L > 63	±0.5	
△X					16 > L ≤ 63	±0.4	
△X					4 < L ≤ 16	±0.3	
					L ≤ 4	±0.2	
					ANGULAR	±5°	



PART NO	Material	Material(Pin)	Finish(Pin)	Suitable XKB Terminal
X2016WV-XX-6TSN	Nylon 6T UL94V-0	Brass	Tin-Plated	X2016H
X2016WV-XX-46SN	Nylon 46 UL 94V-0	Brass	Tin-Plated	X2016H
X2016WV-XX-N0SN	Nylon 66 UL 94V-0			

Poles	Dimensions (mm)		
	A	B	C
02	2.00	6.00	5.00
09	16.00	20.00	19.00
16	30.00	34.00	33.00
03	4.00	8.00	7.00
10	18.00	22.00	21.00
17	32.00	36.00	35.00
04	6.00	10.00	9.00
11	20.00	24.00	23.00
18	34.00	38.00	37.00
05	8.00	12.00	11.00
12	22.00	26.00	25.00
19	36.00	40.00	39.00
06	10.00	14.00	13.00
13	24.00	28.00	27.00
20	38.00	42.00	41.00
07	12.00	16.00	15.00
14	26.00	30.00	29.00
15	28.00	32.00	31.00
08	14.00	18.00	17.00

- ① Series No. X2016 W V X-XX XX -N0 SN XX  
 ② Category: W-WAFER  
 ③ Welding Board Angle: V-Straight 180°  
 ④ Welding Way: Blank-DIP  
 ⑤ Row No.-Pin No.: XX-02P~20P  
 ⑥ Plug the Pin & Special No.: Blank-Without Kink  
 ⑦ Material: 46 -PA46 94V-0 ; N0-PA66 94V-0 ;  
 ⑧ Plating Category: SN-Bright Tin Plating  
 ⑨ Color : Blank-Natural Color ; GY-Gray

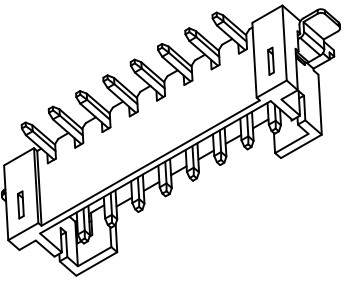
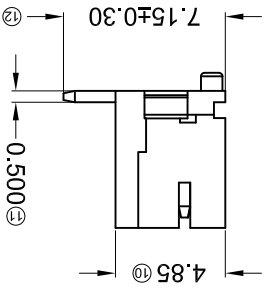
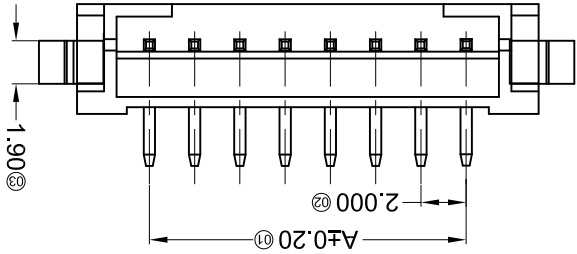
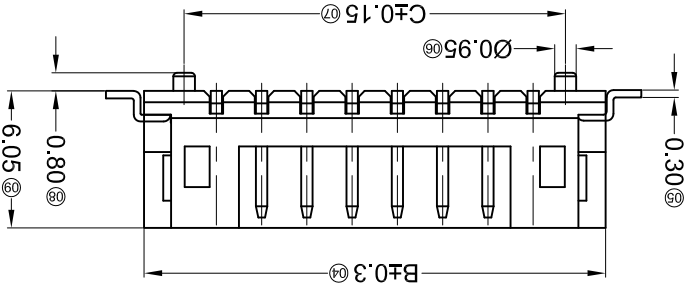
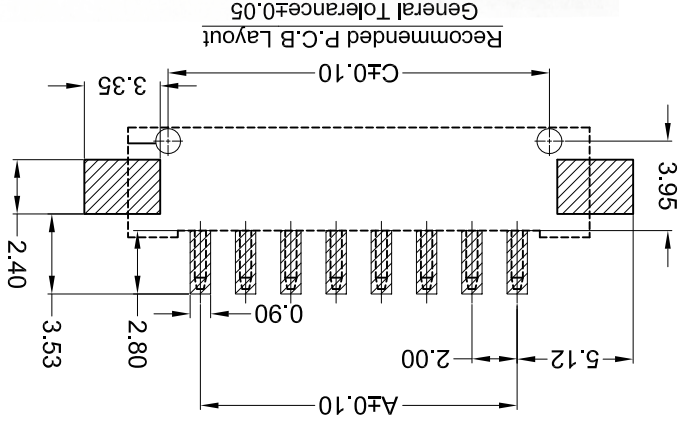
- Specifications :
- Voltage rating: 100V AC / DC
  - Current rating: 2A AC / DC
  - Withstanding voltage: 800V AC/minute
  - Temperature range: -25°C~+85°C
  - Insulation resistance: ≥1000MΩ
  - Contact resistance: ≤10mΩ
  - After environmental testing: ≤20mΩ

For and on behalf of  
**XKB INDUSTRIAL PRECISION CO., LIMITED**  
 香港星坤工業精密有限公司

MARK	DESCRIPTION	DATE	REVISID	APPROVED	UNSPECIFIED TOLERANCES
△ X					L > 63 ±0.5
△ X					16 < L ≤ 63 ±0.4
△ X					4 < L ≤ 16 ±0.3
					L ≤ 4 ±0.2
					ANGULAR ±5°

REVISIONS	DATE	REVISID	APPROVED	UNSPECIFIED TOLERANCES
				L > 63 ±0.5
				16 < L ≤ 63 ±0.4
				4 < L ≤ 16 ±0.3
				L ≤ 4 ±0.2
				ANGULAR ±5°

APPD	DATE	SIZE: A4	WEIGHT	1.0g
CHKD	DATE	UNIT: mm	SHEET	1/1
DWN	DATE	VIEW:	REVISION	A0
DSND	DATE	SCALE: N/A	XKB INDUSTRIAL PRECISION CO., LIMITED	



PART NO	Material	Material(Pin and Solder Tabs)	Thin-Plated	Suitable XKB Terminal
X2016VWS-XXS-46SN	PA46 UL 94V-0	Brass		X2016H

Poles	Dimensions (mm)			Poles	A	B	C
	A	B	C				
02	2.00	8.40	4.85	09	16.00	22.40	18.85
03	4.00	10.40	6.85	10	18.00	24.40	20.85
04	6.00	12.40	8.85	11	20.00	26.40	22.85
05	8.00	14.40	10.85	12	22.00	28.40	24.85
06	10.00	16.40	12.85	13	24.00	30.40	26.85
07	12.00	18.40	14.85	14	26.00	32.40	28.85
08	14.00	20.40	16.85	15	28.00	34.40	30.85

- X2016 V S-XX S-46 SN XX
- ① Series No.
  - ② Category: W-WAFER
  - ③ Welding Board Angle: V-Straight 180°
  - ④ Welding Way: S-SMT
  - ⑤ Row No.-Pin No.: XX-02P~20P
  - ⑥ Plug the Pin & Special No.:
  - ⑦ S-With positioning column
  - ⑧ Material: 46-PA46 94V-0;
  - ⑨ Plating Category: SN-Bright Tin Plating
  - ⑩ Color: Blank-Natural Color

- Specifications:
- Voltage rating: 100V AC / DC
  - Current rating: 2A AC / DC
  - Withstanding voltage: 800V AC/minute
  - Temperature range: -25°C~+85°C
  - Insulation resistance: ≥1000MΩ
  - Contact resistance: ≤10mΩ
  - After environmental testing: ≤20mΩ

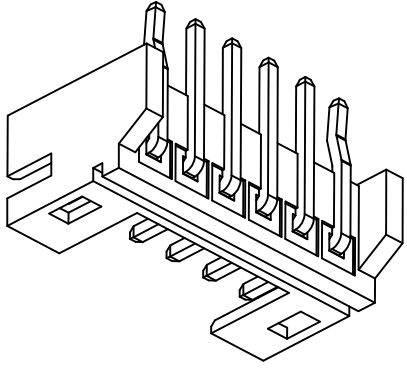
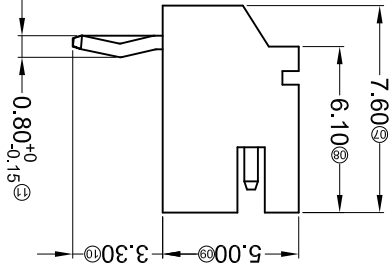
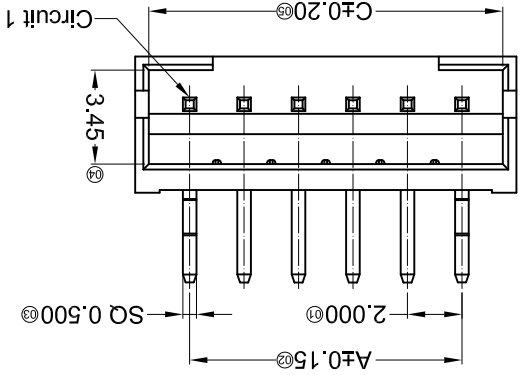
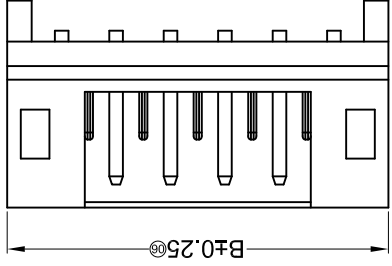
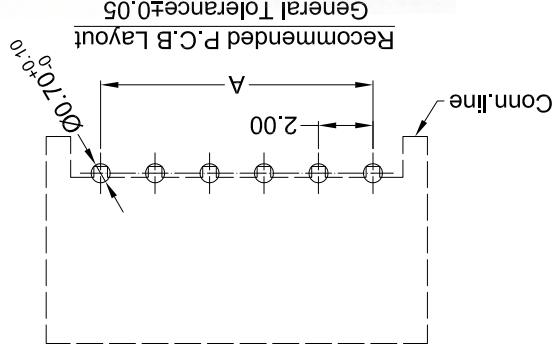


For and on behalf of  
**KXB INDUSTRIAL PRECISION CO., LIMITED**  
 香港星坤工業精密有限公司

MARK	DESCRIPTION	DATE	REVISD	APPROVED	UNSPECIFIED TOLERANCES
△ X					L > 63
△ X					16 > L ≤ 63
△ X					4 < L ≤ 16
△ X					L ≤ 4
					ANGULAR
					±5°

REVISIONS	DATE	REVISD	APPROVED	UNSPECIFIED TOLERANCES
				L > 63
				16 > L ≤ 63
				4 < L ≤ 16
				L ≤ 4
				ANGULAR
				±5°

DATE	DATE	DATE	DATE	DATE
DNSD	DWN	CHKD	APPD	
SCALE: N/A	VIEW:	UNIT: mm	SIZE: A4	
MODEL TYPE: 2016WR-XXK-N0SN	PART NO.: 2016WR-XXK-N0SN	2.00mm Crimp Style Connectors		
		DWG NO.:		
		WEIGHT 1.0g		
		SHEET 1/1		
		REVISION A0		



PART NO	Material	Material (Pn)	Finish (Pn)	Suitable XKB Terminal
X2016WR-XXK-N0SN	Nylon 66 UL 94V-0	Brass	Tin-Plated	X2016H

Dimensions (mm)	Poles	Dimensions (mm)	Poles	Dimensions (mm)	Poles	Dimensions (mm)	Poles
08	A	14.00	A	17.00	A	28.00	A
07	B	12.00	B	15.00	B	26.00	B
06	C	10.00	C	13.00	C	24.00	C
05	A	8.00	A	11.00	A	22.00	A
04	B	6.00	B	9.00	B	20.00	B
03	C	4.00	C	7.00	C	18.00	C
02	A	2.00	A	6.00	A	16.00	A
01	B	2.00	B	6.00	B	16.00	B
00	C	2.00	C	6.00	C	16.00	C

① Series No. X2016 W R X-XX K -N0 SN XX  
 ② Category: W-WAFER  
 ③ Welding Board Angle: R-Right Angle 90°  
 ④ Welding Way: Blank-DIP  
 ⑤ Row No.-Pin No.: XX-02P~20P  
 ⑥ Plug the Pin & Special No.: K-kink, DIP=3.30mm  
 ⑦ Material: N0-PA66 94V-0  
 ⑧ Plating Category: SN-Bright Tin Plating  
 ⑨ Color: Blank-Natural Color

- Specifications:
- Voltage rating: 100V AC / DC
  - Current rating: 2A AC / DC
  - Withstanding voltage: 800V AC/minute
  - Temperature range: -25°C~+85°C
  - Insulation resistance: ≥1000MΩ
  - Contact resistance: ≤10mΩ
  - After environmental testing: ≤20mΩ

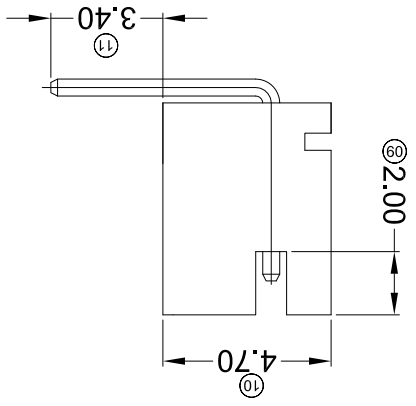
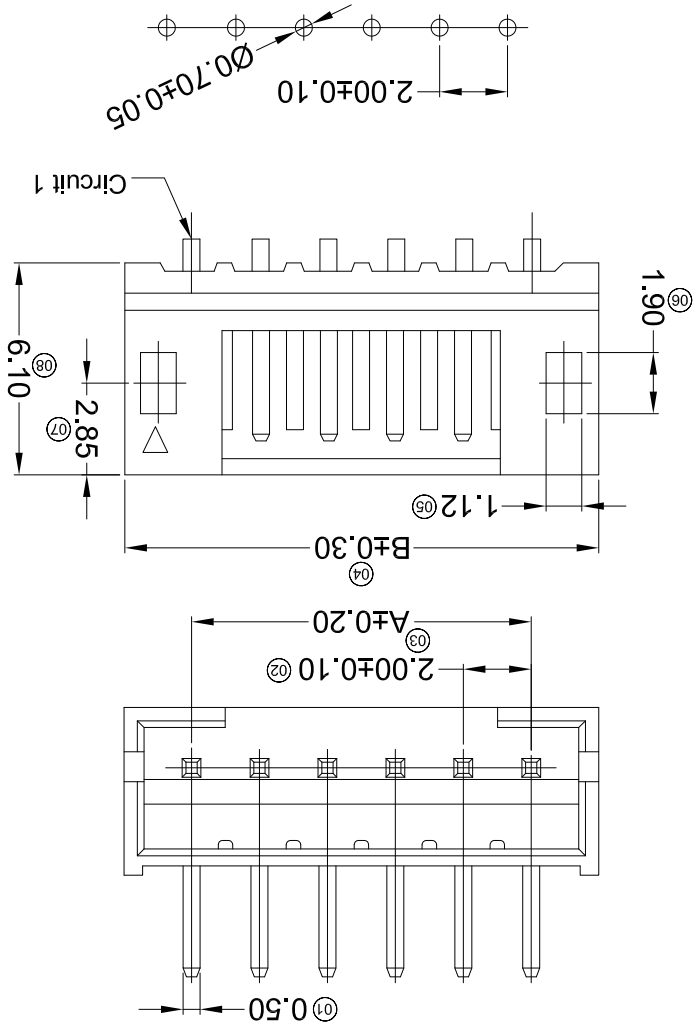


For and on behalf of  
**XKB INDUSTRIAL PRECISION CO., LIMITED**  
 香港星坤工業精密有限公司

MARK	DESCRIPTION	DATE	REVISED	APPROVED	UNSPECIFIED TOLERANCES
△ X					L > 63 ±0.5
△ X					16 < L ≤ 63 ±0.4
△ X					4 < L ≤ 16 ±0.3
△ X					L ≤ 4 ±0.2
					ANGULAR ±5°

REVISIONS	XKB INDUSTRIAL PRECISION CO., LIMITED	
DATE	APPD	DATE
REVISED	CHKD	DATE
APPROVED	DWN	DATE
	DSND	DATE

**Recommend PCB Layout**



PART NO	Material	Material(Pin)	Finish(Pin)	Suitable XKB Terminal	Q'ty/Bag
X2016WR-XXB-N0SN	Nylon 66 UL 94V-0	Brass	Tin-Plated	X2016H	1,000Pcs

Poles	A	B	Dimensions (mm)
02	2.00	6.00	
03	4.00	8.00	
04	6.00	10.00	
05	8.00	12.00	
06	10.00	14.00	
07	12.00	16.00	
08	14.00	18.00	
09	16.00	20.00	
10	18.00	22.00	
11	20.00	24.00	
12	22.00	26.00	
13	24.00	28.00	
14	26.00	30.00	
15	28.00	32.00	
16	30.00	34.00	
17	32.00	36.00	
18	34.00	38.00	
19	36.00	40.00	
20	38.00	42.00	

- ① Series No.
- ② Category: W-WAFER
- ③ Welding Board Angle: V-180°; R-90°
- ④ Welding Way: Blank-DIP; S-SMT
- ⑤ Row No.-Pin No.: XX-Single Row; 2\*XX-Double Row
- ⑥ Plug the Pin & Special No.:
- ⑦ Material: NO -PA66 94V-0
- ⑧ Plating Category: G\*\*-Gold Plated Contact
- V\*\* - All Gold-Plated
- 01-Gold Flash 02-2u" 03-3u"
- 05-5u" 10-10u" 15-15u"
- SN-Bright Tin Plating (70-120u")
- SN1-Bright Tin Plating (120u" Min).
- 0-No Plating Material
- SW-Fog Tin Plating
- HS-Hight temperature Tin
- ⑨ Color: Blank-Natural Color

- Specifications:**
- Voltage rating: 100V AC / DC
  - Current rating: 2A AC / DC
  - Withstanding voltage: 800V AC/minute
  - Temperature range: -25°C~+85°C
  - Insulation resistance: ≥1000MΩ
  - Contact resistance: ≤10mΩ
  - After environmental testing: ≤20mΩ

For and on behalf of  
**XKB INDUSTRIAL PRECISION CO., LIMITED**  
 香港星坤工業精密有限公司  
 Authorized Signatures

MARK	DESCRIPTION	DATE	REVISED	APPROVED	UNSPECIFIED TOLERANCES
△ X					L > 63
△ X					16 > L ≤ 63
△ X					4 < L ≤ 16
△ X					L ≤ 4
					ANGULAR ±5°

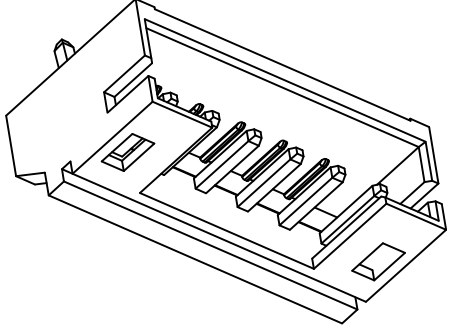
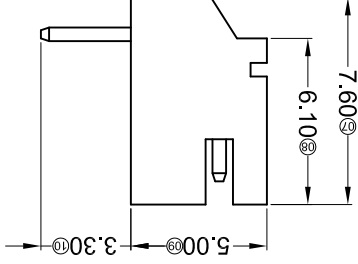
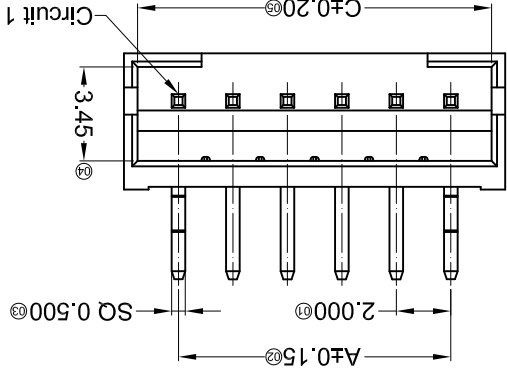
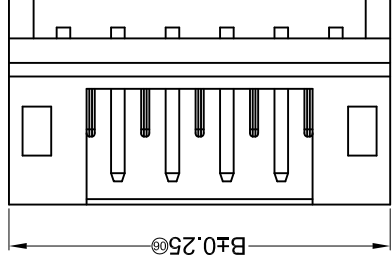
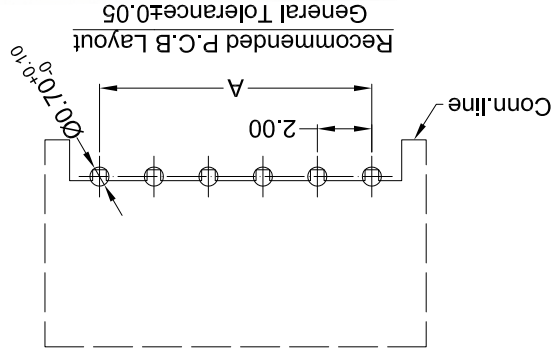
REVISIONS	DATE	REVISED	APPROVED	UNSPECIFIED TOLERANCES
				L > 63
				16 > L ≤ 63
				4 < L ≤ 16
				L ≤ 4
				ANGULAR ±5°

DSND	DATE	SCALE: N/A	MODEL TYPE:
			2016WR-XX-NOSN

DWN	DATE	VIEW:	PART NO.:
			2016WR-XX-NOSN

CHKD	DATE	UNIT: mm	DWG NO.:
			2.00 mm Crimp Style Connectors

APPD	DATE	SIZE: A4	WEIGHT	REVISION
			1.0g	A0



PART NO	Material	Material(Pin)	Finish(Pin)	Suitable XKB Terminal
X2016WR-XX-NOSN	Nylon 66 UL 94V-0	Brass	Tin-Plated	X2016H

Poles	Dimensions (mm)		
	A	B	C
02	2.00	6.00	5.00
03	4.00	8.00	7.00
04	6.00	10.00	9.00
05	8.00	12.00	11.00
06	10.00	14.00	13.00
07	12.00	16.00	15.00
08	14.00	18.00	17.00

Poles	Dimensions (mm)		
	A	B	C
02	30.00	34.00	33.00
03	36.00	36.00	35.00
04	38.00	38.00	37.00
05	40.00	40.00	39.00
06	42.00	42.00	41.00

- ① Series No.  
 ② Category: W-WAFER  
 ③ Welding Board Angle: R-Right Angle 90°  
 ④ Welding Way: Blank-DIP  
 ⑤ Row No.-Pin No.: XX-02P~20P  
 ⑥ Plug the Pin & Special No.: Blank-Without kink  
 ⑦ Material: NO-PA66 94V-0  
 ⑧ Plating Category: SN-Bright Tin Plating  
 ⑨ Color: Blank-Natural Color;

- Specifications:
- Voltage rating: 100V AC / DC
  - Current rating: 2A AC / DC
  - Withstanding voltage: 800V AC/minute
  - Temperature range: -25°C~+85°C
  - Insulation resistance: ≥100MΩ
  - Contact resistance: ≤10mΩ
  - After environmental testing: ≤20mΩ

X2016 W R X-XX XX -N0 SN XX  
 ① ② ③ ④ ⑤ ⑥ ⑦ ⑧ ⑨



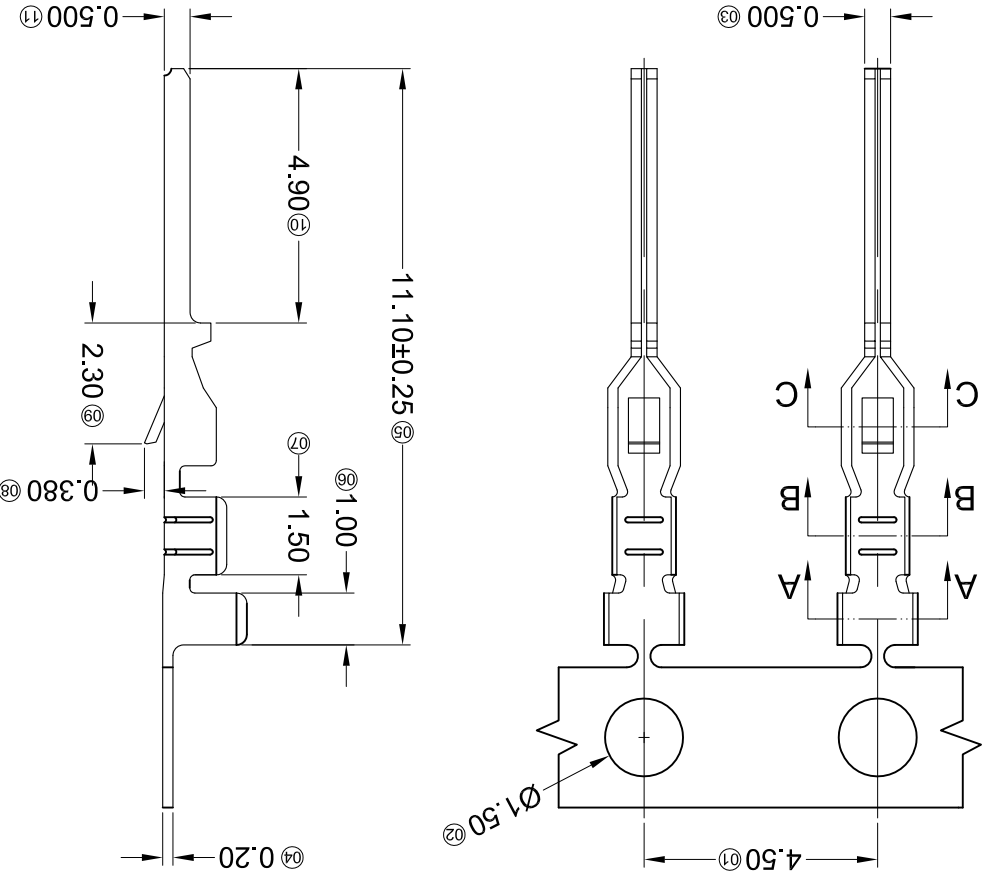
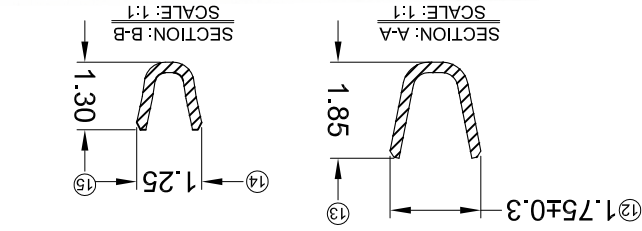
For and on behalf of  
**XKB INDUSTRIAL PRECISION CO., LIMITED**  
 香港星坤工業精密有限公司

REVISIONS		UNSPECIFIED TOLERANCES	
MARK	DESCRIPTION	APPROVED	REVISIED
△ X		L > 63	± 0.5
△ X		16 < L ≤ 63	± 0.4
△ X		4 < L ≤ 16	± 0.3
△ X		L ≤ 4	± 0.2
		ANGULAR	± 5°

REVISIONS		UNSPECIFIED TOLERANCES	
MARK	DESCRIPTION	APPROVED	REVISIED
△ X		L > 63	± 0.5
△ X		16 < L ≤ 63	± 0.4
△ X		4 < L ≤ 16	± 0.3
△ X		L ≤ 4	± 0.2
		ANGULAR	± 5°

DSND	DATE	SCALE: N/A	MODEL TYPE: X2016TM-PSN
DWN	DATE	VIEW:	PART NO.:
CHKD	DATE	UNIT: mm	DWG NO.:
APPD	DATE	SIZE: A4	

PART NO	Material	Wire Range	Insulation O.D.	Finish	Suitable XKB Terminal
X2016TM-PSN	Phosphor Bronze	AWG#26-28	1.30mm(Max)	Stamping Before plating:30u" MIN, Nt 70u"Sn	X2016HF
					Suitable XKB Terminal



X2016 T M-P SN X - X  
 ① ② ③ ④ ⑤ ⑥ ⑦

- ① Series Number
- ② Category: T-terminal
- ③ Shape: M-Male
- ④ Material: P-Phosphor bronze
- ⑤ Plating style: SN-Bright tin plating
- ⑥ Plating method: Blank-Stamping before plating
- ⑦ Mold No./Mark/Special No.

- Specifications :
- Voltage rating: 100V AC / DC
  - Current rating: 2A AC / DC
  - Withstanding voltage: 800V AC/minute
  - Temperature range: -25°C~+85°C
  - Insulation resistance: ≥1000MΩ
  - Contact resistance: ≤10mΩ
  - After environmental testing: ≤20mΩ

For and on behalf of  
**KKB INDUSTRIAL PRECISION CO., LIMITED**  
 香港星坤工業精密有限公司

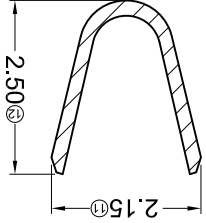
MARK	DESCRIPTION	DATE	REVISED	APPROVED	UNSPECIFIED TOLERANCES
△ X					L > 63 ± 0.5
△ X					16 < L ≤ 63 ± 0.4
△ X					4 < L ≤ 16 ± 0.3
△ X					L ≤ 4 ± 0.2
					ANGULAR ± 5°

REVISION	SHEET	WEIGHT	DATE	DATE	DATE	DATE	DATE
A0	1/1	1.0g					

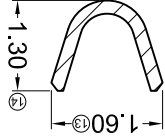
**KKB INDUSTRIAL PRECISION CO., LIMITED**

<b>DSND</b>	SCALE: N/A	VIEW:	PART NO.: X2016T-P-XXXX
<b>DWN</b>	DATE	DATE	DATE
<b>CHKD</b>	UNIT: mm	DATE	DATE
<b>APPD</b>	SIZE: A4	DATE	DATE

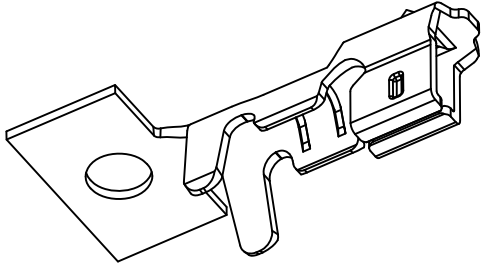
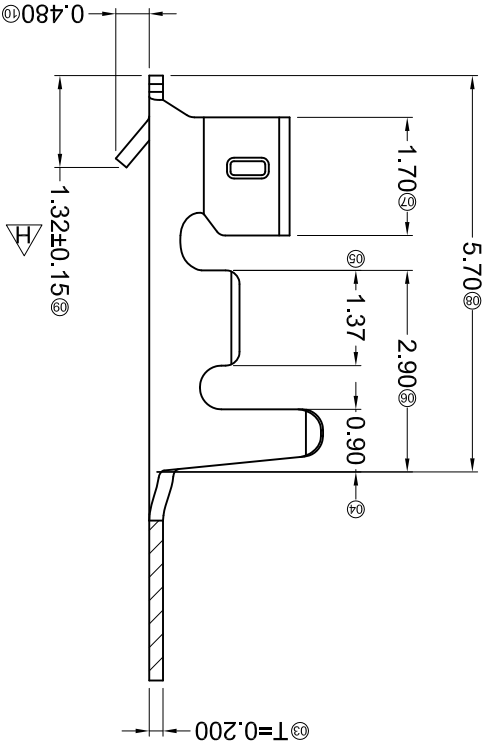
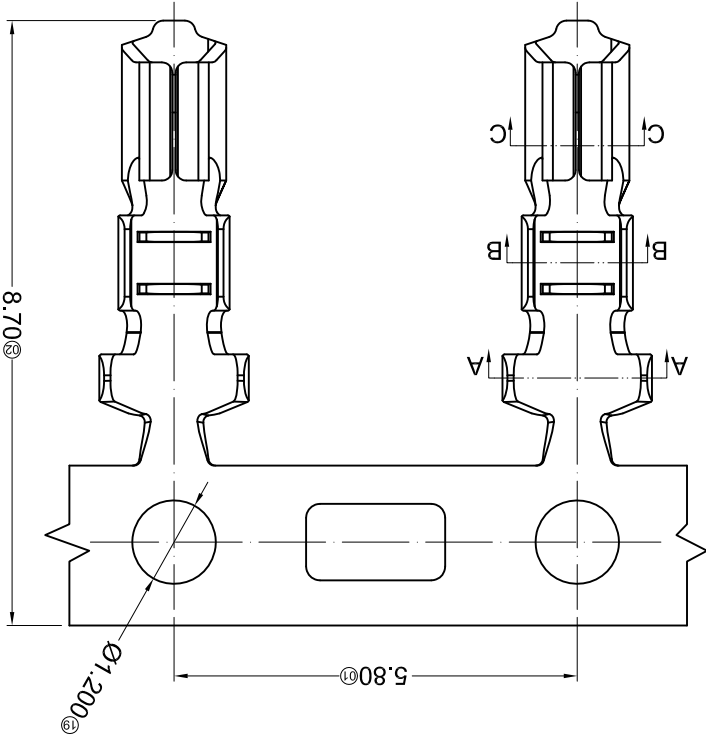
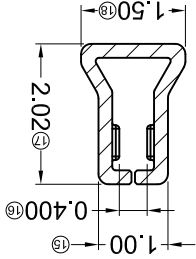
SECTION: A-A  
SCALE: 1:1



SECTION: B-B  
SCALE: 1:1



SECTION: C-C  
SCALE: 1:1



- Specifications :**
- Voltage rating: 100V AC / DC
  - Current rating: 2A AC / DC
  - Withstanding voltage: 800V AC/minute
  - Temperature range: -25°C~+85°C
  - Insulation resistance: ≥1000MΩ
  - Contact resistance: ≤10mΩ
  - After environmental testing: ≤20mΩ
- X2016 T X-P XXX X - X**
- Series Number
  - Category: T-terminal
  - Shape: Blank-ordinary
  - Material: P-Phosphor bronze
  - Plating style: V01-Gold Flash ; SN-Bright tin plating
  - Plating method: Blank-stamping before plating
  - B-plating before stamping
  - Mold No./Mark/Special No.

XPART NO	Material	Wire Range	Insulation O.D.	Finish	XPART NO
X2016T-PV01	Phosphor Bronze	AWG#24-30	1.50mm(Max)	Stamping Before plating:30u" MIN, Nf. 70u"Sn	X2016T-P-PSN
				Whole Gold ;Gold Flash	X2016H
				Stamping Before plating:30u" MIN, Nf.	

8  
7  
6  
5  
4  
3  
2  
1  
A  
B  
C  
D  
E  
F

For and on behalf of  
**KXB INDUSTRIAL PRECISION CO., LIMITED**  
 香港星坤工業精密有限公司

Authorized Signatures

MARK	DESCRIPTION	DATE	REVISED	APPROVED	UNSPECIFIED TOLERANCES
△ X					L > 63 ± 0.5
△ X					16 < L ≤ 63 ± 0.4
△ X					4 < L ≤ 16 ± 0.3
△ X					L ≤ 4 ± 0.2
					ANGULAR ± 5°

REVISION	SHEET	WEIGHT	1/1	1.0g	8
AO					

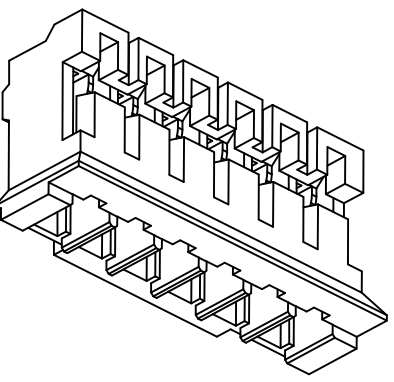
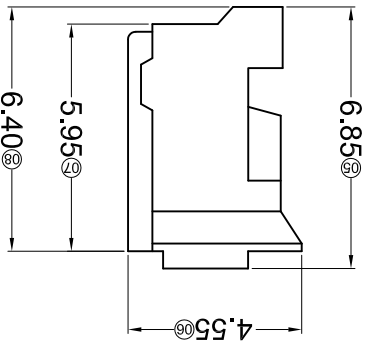
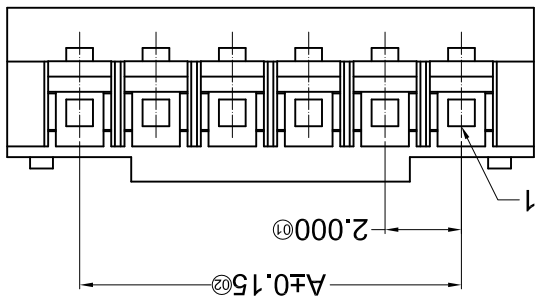
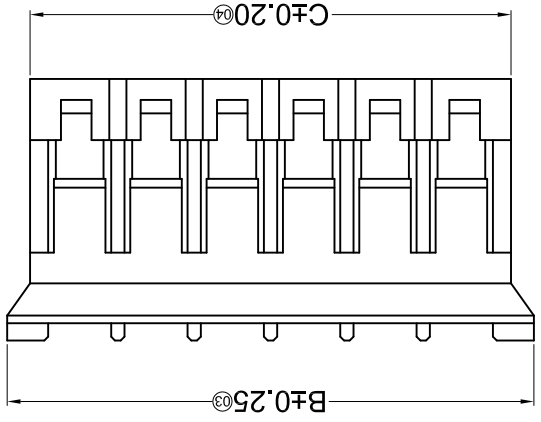
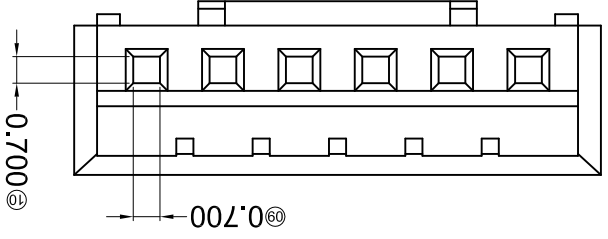
DATE	SCALE: N/A	MODEL TYPE: X2016H-XX-N0XX

DATE	VIEW:	PART NO.: 2.00mm Crimp Style Connectors

DATE	UNIT: mm	DWG NO.:

DATE	SIZE: A4	REVISION

APPD	CHKD	DWN	DSND



PART NO	Material	Suitable XKB Terminal	Suitable XKB Terminal
X2016H-XX-N0-C	Nylon 66 UL 94V-0		
X2016H-XX-N0HF	PA66 UL 94V-0 Halogen Free	X2016T	X2016W
X2016H-XX-N0	Nylon 66 UL 94V-0		

Poles	Dimensions (mm)		
	A	B	C
02	2.00	5.80	4.60
03	4.00	7.80	6.60
04	6.00	9.80	8.60
05	8.00	11.80	10.60
06	10.00	13.80	12.60
07	12.00	15.80	14.60
08	14.00	17.80	16.60
09	16.00	19.80	18.60
10	18.00	21.80	20.60
11	20.00	23.80	22.60

- ① Series No.
  - ② Category: H-HSG
  - ③ Appearance type: Blank-Ordinary
  - ④ Row No.-Pin No.: XX-02P~20P
  - ⑤ Plug the Pin & special No.: Blank-Ordinary
  - ⑥ Material: N0-PA66 94V-0
  - ⑦ HF-Halogen Free
  - ⑧ C-Glowing Filament ;
- X2016 H X-XX X-N0 HF-C

- Specifications :
- Voltage rating: 100V AC / DC
  - Current rating: 2A AC / DC
  - Withstanding voltage: 800V AC/minute
  - Temperature range: -25°C~+85°C
  - Insulation resistance: ≥1000MΩ
  - Contact resistance: ≤10mΩ
  - After environmental testing: ≤20mΩ

For and on behalf of  
**XKB INDUSTRIAL PRECISION CO., LIMITED**  
 香港星坤工業精密有限公司

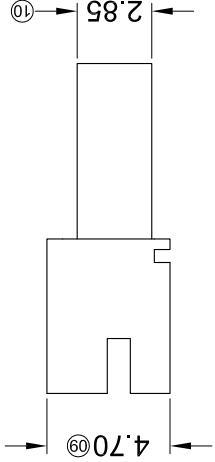
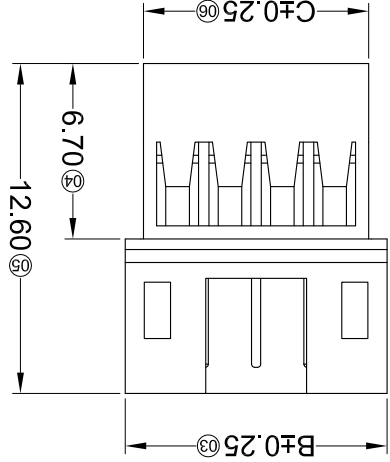
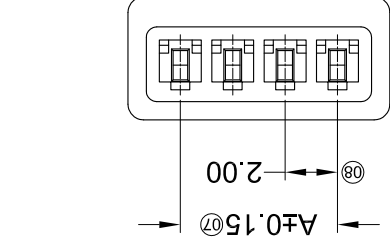
MARK	DESCRIPTION	DATE	REVISED	APPROVED	UNSPECIFIED TOLERANCES
△ X					L > 63
△ X					16 < L ≤ 63
△ X					4 < L ≤ 16
					L ≤ 4
					ANGULAR
					± 5°

REVISION	SHEET	WEIGHT	DATE	DATE	DATE	DATE	DATE
A0	1/1	1.0g					

**XKB INDUSTRIAL PRECISION CO., LIMITED**

DNSD	SCALE: N/A	DATE	
DWN	VIEW:	DATE	
CHKD	UNIT: mm	DATE	
APPD	SIZE: A4	DATE	

PART NO.: X2016HF-XX-N0XX  
 MODEL TYPE: X2016HF-XX-N0XX  
 PART NO.: 2.0mm Crimp Style Connectors  
 DWG NO.:



PART NO	Material	Suitable XKB Terminal	Suitable XKB Terminal
X2016HF-XX-N0	Nylon 66 UL 94V-0	X2016TM	Suitable XKB Terminal
X2016HF-XX-N0BK	Nylon 66 UL 94V-0 Black	X2016TM	Suitable XKB Terminal
X2016W			Suitable XKB Terminal

Poles	Dimensions (mm)		
	A	B	C
02	2.00	6.00	4.60
03	4.00	8.00	6.60
04	6.00	10.00	8.60
05	8.00	12.00	10.60
06	10.00	14.00	12.60
07	12.00	16.00	14.60
08	14.00	18.00	16.60
09	16.00	20.00	18.60
10	18.00	22.00	20.60
11	20.00	24.00	22.60

- ① Series No.
- ② Category: H-HSG
- ③ Welding Board Angle: F-Female HSG
- ④ Row No.-Pin No.: XX-02P~20P
- ⑤ Plug the Pin & special No.:
- ⑥ Material: N0-PA66 94V-0;
- ⑦ Color: Blank-natural color; BK-Black

X2016 H F-XX X-N0 XX

- Specifications :
- Voltage rating: 125V AC / DC
  - Current rating: 1A AC / DC
  - Withstanding voltage: 250V AC/minute
  - Temperature range: -25°C~+85°C
  - Insulation resistance: ≥100MΩ
  - Contact resistance: ≤20mΩ
  - After environmental testing: ≤40mΩ

## X-ON Electronics

Largest Supplier of Electrical and Electronic Components

*Click to view similar products for [Headers & Wire Housings](#) category:*

*Click to view products by [XKB](#) manufacturer:*

Other Similar products are found below :

[95000-104TRLF](#) [10135584-644402LF](#) [DF62W-EP2022PCA](#) [95000-106TRLF](#) [DF62W-2022SCA](#) [DF62W-EP2022PC](#) [2203348](#) [DF62W-2022SC](#) [1084018](#) [1029039](#) [1084017](#) [802-10-012-10-002000](#) [1112640](#) [1112639](#) [891-007-9SS-BST1T](#) [000-34000](#) [0008550134](#) [0009482033](#) [0009507031](#) [57102-F02-18ULF](#) [57102-S06-03LF](#) [57202-S52-04LF](#) [PCN6-15S-2.5E](#) [0039019024](#) [58102-G61-06LF](#) [582553-1](#) [0009485154](#) [0009508121](#) [0022285053](#) [0050291907](#) [018731A](#) [LY20-4P-DT1-P1E-BR](#) [02.125.8002.8](#) [60101931](#) [60598-1 \(Cut Strip\)](#) [M1625-3R/100](#) [61062-3](#) [61082-181009](#) [CSU011177004](#) [636-1427](#) [638009-1](#) [641938-9](#) [641991-4](#) [644168-1](#) [644827-2](#) [647662-1](#) [65039-019ELF](#) [65692-001LF](#) [65781-018](#) [65781-047](#)