

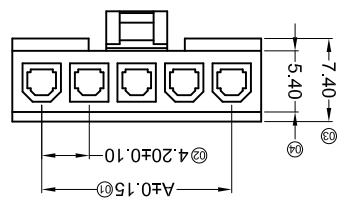
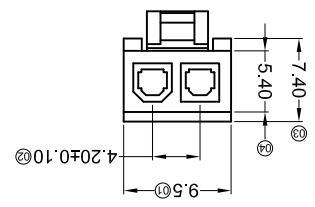
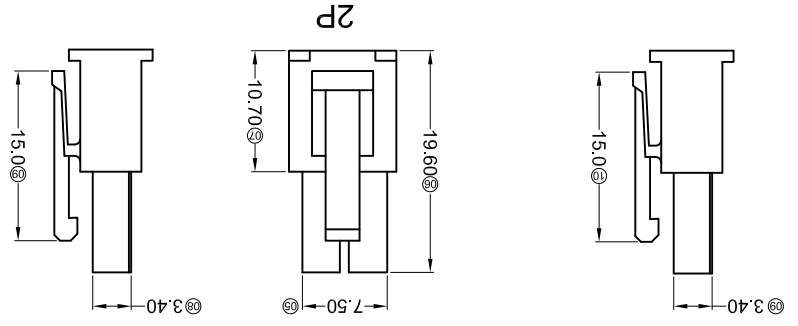
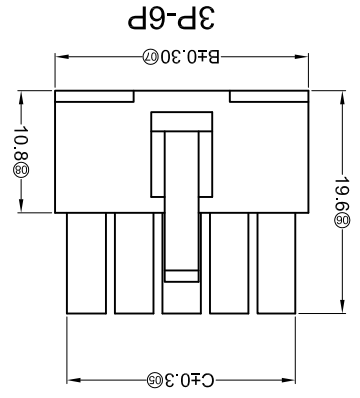
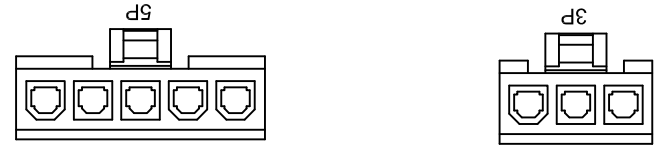
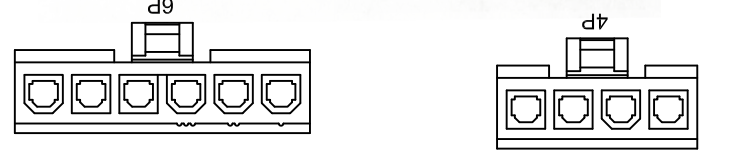


For and on behalf of  
**KKB INDUSTRIAL PRECISION CO., LIMITED**  
 香港星洲工業精確有限公司

MARK	DESCRIPTION	REVISIONS			UNSPECIFIED TOLERANCES		
		DATE	REVISED	APPROVED	L > 63	16 < L ≤ 63	7.0.5
△ X							
△ X					4 < L ≤ 16		±0.3
△ X					L ≤ 4		±0.2
					ANGULAR		±5°

DSND	DATE	SCALE: N/A	MODEL TYPE: X9357HM-XX-XX
DWN	DATE <td>VIEW: </td> <td>PART NO.:</td>	VIEW: 	PART NO.:
CHKD	DATE <td>UNIT: mm</td> <td>DWG NO.:</td>	UNIT: mm	DWG NO.:
APPD	DATE <td>SIZE: A4</td> <td></td>	SIZE: A4	

REVISION	SHEET	WEIGHT
A0	1/1	1.0g



PART NO	Material	Suitable XKB Terminal	Suitable XKB Terminal
X9357HM-XX-N0	Nylon 66 94V-0	X9357TF	X9357W Or 9357H
X9357HM-XX-N2	Nylon 66 94V-2		

Poles	Dimensions(mm)		
	A	B	C
06	21.00	26.10	24.10
05	16.80	22.00	20.20
04	12.60	17.70	15.80
03	8.40	13.50	11.60
02	4.20	9.50	7.50

- ① Series No.
- ② Category: H-HSG
- ③ Welding Board Angle: M-Male housing
- ④ Row No.-Pin No.: XX-02P~16P
- ⑤ Plug the Pin & special No.:
- ⑥ Material: N0-PA66 94V-0; N2-PA66 94V-2
- ⑦ Color : Blank-Natural Color

X9357 H M-XX XX-XX XX

- Specifications :
- Voltage rating: 600V AC / DC
  - Current rating: 9A AC / DC
  - Withstanding voltage: 1500V AC/minute
  - Temperature range: -25°C~+85°C
  - Insulation resistance: ≥1000MΩ
  - Contact resistance: ≤10mΩ
  - After environmental testing : ≤20mΩ

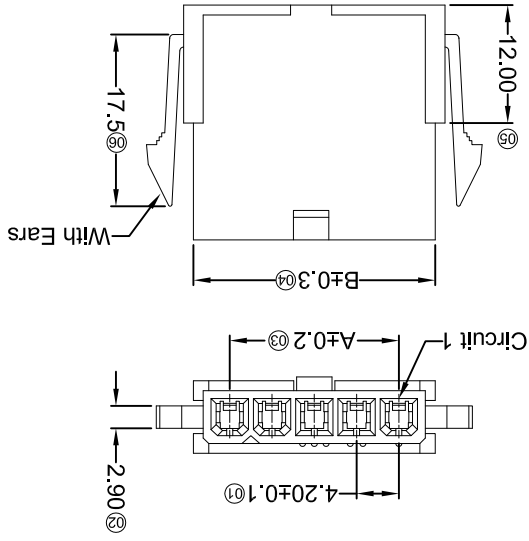
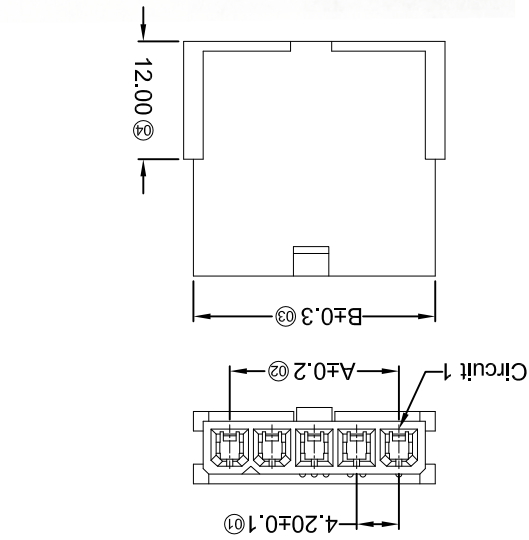
*For and on behalf of*  
**KXB INDUSTRIAL PRECISION CO., LIMITED**  
 香港星坤工業精密有限公司

*Authorized Signatures*

MARK	DESCRIPTION	DATE	REVISED	APPROVED	UNSPECIFIED TOLERANCES
△ X					L > 63 ± 0.5
△ X					16 < L ≤ 63 ± 0.4
△ X					4 < L ≤ 16 ± 0.3
△ X					L ≤ 4 ± 0.2
					ANGULAR ± 5°

REVISION	SHEET	WEIGHT	DATE	DATE	DATE	DATE	DATE
A0	1/1	1.0g					

MODEL TYPE:	SCALE: N/A	DATE:
X9357HF-XXX-XX		
PART NO.:	VIEW:	DATE:
4.20 mm Crimp Style Connectors		
DWG NO.:	UNIT: mm	DATE:
SIZE: A4		



PART NO	Material	Suitable XKB Terminal	Suitable XKB Terminal	Note
X9357HF-XXG-N0	Nylon 66 94V-0	X9357TM	X9357W Or 9357H	Without Ears
X9357HF-XXG-N2	Nylon 66 94V-2			With Ears

Poles	Dimensions(mm)			
	A	B	A	B
07	25.20	30.80		
06	21.00	26.60	12	46.20
05	16.80	22.40	11	42.00
04	12.60	18.20	10	37.80
03	8.40	14.00	09	33.60
02	4.20	9.80	08	29.40
				35.00
				39.20
				43.40
				47.60
				51.80

- Specifications :**
- Voltage rating: 600V AC / DC
  - Current rating: 9A AC / DC
  - Withstanding voltage: 1500V AC/minute
  - Temperature range: -25°C~+85°C
  - Insulation resistance: ≥1000MΩ
  - Contact resistance: ≤10mΩ
  - After environmental testing: ≤20mΩ
- X9357 H F-XX X-XX XX
- ① Series No.  
 ② Category: H-HSG  
 ③ Welding Board Angle: F-Female  
 ④ Row No.-Pin No.: XX-02P~12P  
 ⑤ Plug the Pin & special No.:  
 I-Without the Wing; G-With the Wing  
 ⑥ Material: N0-PA66 94V-0; N2-PA66 94V-2  
 ⑦ Color : Blank-Natural Color

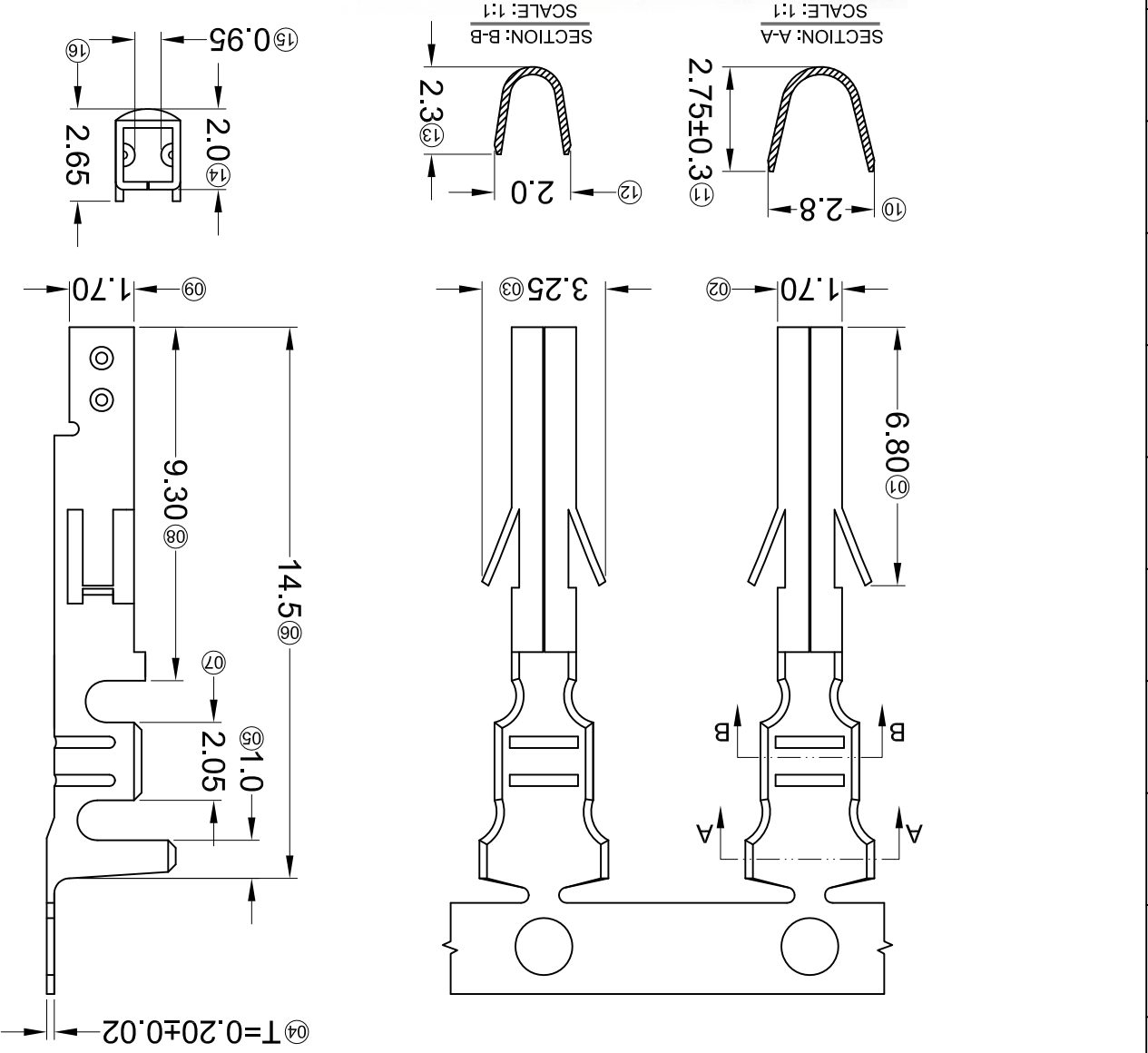


For and on behalf of  
**KXB INDUSTRIAL PRECISION CO., LIMITED**  
 香港星坤工業精密有限公司

REVISIONS  
 (Authorized Signatures)

MARK	DESCRIPTION	DATE	REVISED	APPROVED	UNSPECIFIED TOLERANCES
△ X					L > 63 ± 0.5
△ X					16 < L ≤ 63 ± 0.4
△ X					4 < L ≤ 16 ± 0.3
					L ≤ 4 ± 0.2
					ANGULAR ± 5°

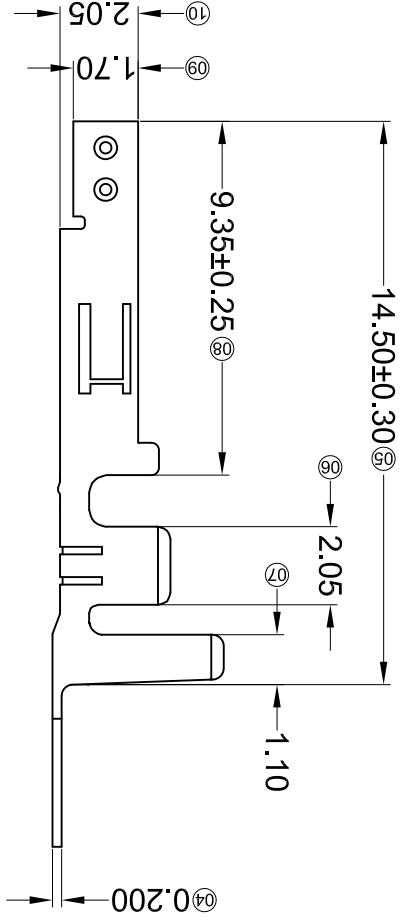
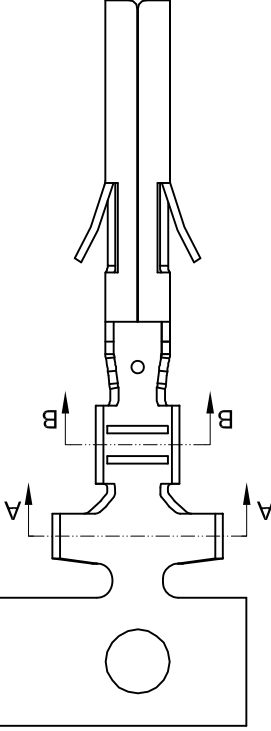
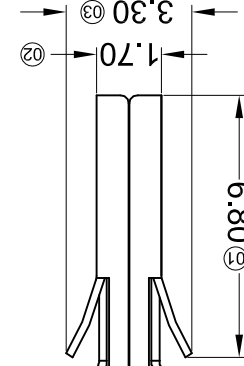
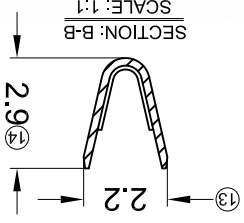
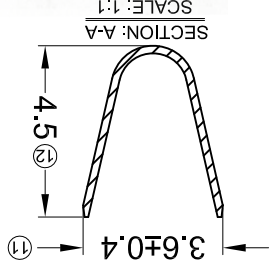
REVISION	SHEET	WEIGHT	1.0g	1/1	A0
<b>KXB INDUSTRIAL PRECISION CO., LIMITED</b>					
DATE	DATE	DATE	DATE	DATE	DATE
VIEW: mm	UNIT: mm	SIZE: A4	DWG NO.:		
SCALE: N/A	MODEL TYPE: X9357TF-XSN-L	PART NO.:	4.20 mm Crimp Style Connectors		
DNSD	CHKD	APPD			



PART NO	Material	Wire Range	Insulation O.D.	Finish	Suitable KXB
X9357TF-BSN-L	Brass	AWG#18-24	2.10mm(Max)	Stamping Before Plating :30u" MIN, Ni:70u"Sn MIN.	X9357HM
X9357TF-PSN-L	Phosphor Bronze				

- **Specifications :**
- Voltage rating: 600V AC / DC
  - Current rating: 9A AC / DC
  - Withstanding voltage: 1500V AC/minute
  - Temperature range: -25°C~+85°C
  - Insulation resistance: ≥1000MΩ
  - Contact resistance: ≤10mΩ
  - After environmental testing : ≤20mΩ
- X9357 T F-X SN X-L  
 ① ② ③ ④ ⑤ ⑥ ⑦
- ① Series Number
  - ② Category: T-terminal
  - ③ Shape: F-Female
  - ④ Material: B-Brass; P-Phosphor Bronze
  - ⑤ Plating style: SN-Bright tin plating
  - ⑥ Plating method:
  - ⑦ Blank-Stamping before plating;
  - ⑧ Special No: L-Normal Leads

REVISIONS <i>(Authorized Signatures)</i>		UNSPECIFIED TOLERANCES		KXB INDUSTRIAL PRECISION CO., LIMITED	
MARK	DESCRIPTION	DATE	REVISD	APPROVED	
△ X					
△ X					
△ X					
		L > 63	± 0.5	KXB INDUSTRIAL PRECISION CO., LIMITED	
		16 < L ≤ 63	± 0.4	香港星坤工業精密有限公司	
		4 < L ≤ 16	± 0.3		
		L ≤ 4	± 0.2		
		ANGULAR	± 5°		
DNSD	DATE	SCALE: N/A	MODEL TYPE: X9357TF-XSN-H	DWN	DATE
CHKD	DATE	UNIT: mm	PART NO.: 4.20 mm Crimp Style Connectors	APPD	DATE
SIZE: A4	DATE	VIEW:	DWG NO.:	WEIGHT	1.0g
REVISION	SHEET	1/1	REVISION	A0	



- Specifications :
- Voltage rating: 600V AC / DC
  - Current rating: 9A AC / DC
  - Withstanding voltage: 1500V AC/minute
  - Temperature range: -25°C~+85°C
  - Insulation resistance: ≥1000MΩ
  - Contact resistance: ≤10mΩ
  - After environmental testing: ≤20mΩ
- X9357 T F-X SN X-H
- ① Series Number  
 ② Category: T-terminal  
 ③ Shape: F-Female  
 ④ Material: B-Brass; P-Phosphor Bronze  
 ⑤ Plating style: SN-Bright tin plating  
 ⑥ Plating method:  
 Blank-Stamping before plating;  
 ⑦ Special No: H-High Leads

PART NO	Material	Wire Range	Insulation O.D.	Finish	Suitable XKB
X9357TF-BSN-H	Brass	AWG#16-24	3.10mm(Max)	Stamping Before Plating :30u" MIN. Ni70u"Sn MIN.	X9357HM
X9357TF-PSN-H	Phosphor Bronze				

For and on behalf of  
**XKB INDUSTRIAL PRECISION CO., LIMITED**  
 香港星坤工業精密有限公司

REVISIONS  
 (Authorized Signatures)

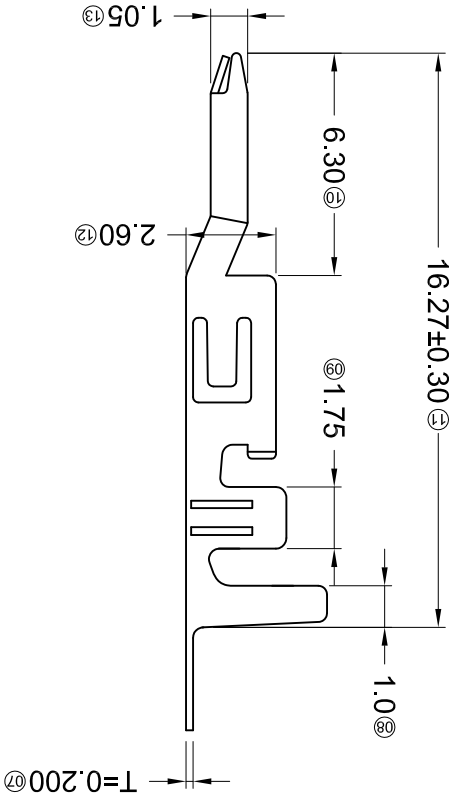
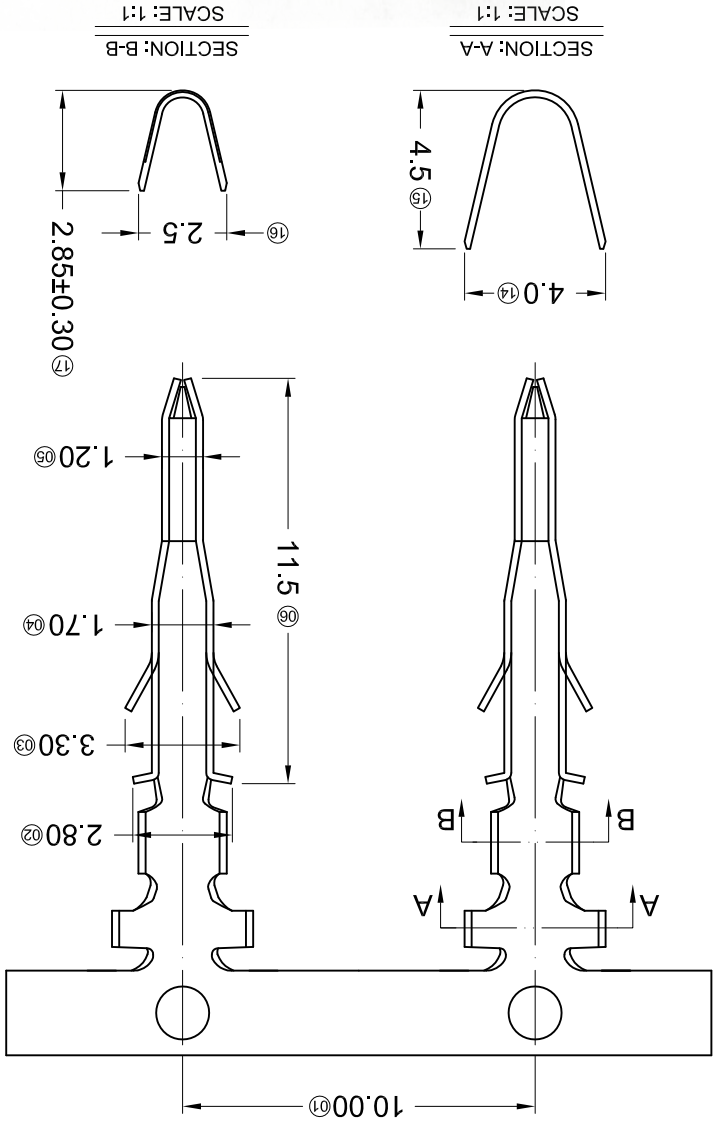
MARK	DESCRIPTION	DATE	REVISED	APPROVED	UNSPECIFIED TOLERANCES
△ X					L > 63 ± 0.5
△ X					16 < L ≤ 63 ± 0.4
△ X					4 < L ≤ 16 ± 0.3
△ X					L ≤ 4 ± 0.2
					ANGULAR ± 5°

REVISION	SHEET	WEIGHT	SIZE	DATE	DATE	DATE	DATE	DATE
A0	1/1	1.0g	A4					

**XKB INDUSTRIAL PRECISION CO., LIMITED**

DWGN NO.:	UNIT: mm	VIEW:	SCALE: N/A
4.20 mm Crimp Style Connector			
PART NO.:			
X9357TM-BSN-H			
MODEL TYPE:			

PART NO	Material	Wire Range	Insulation O.D.	Finish	Suitable XKB
X9357TM-BSN-H	Brass	AWG#16-22	3.10mm(Max)	Stamping Before Plating:30u" Ni:70u"Sn	X9357HF

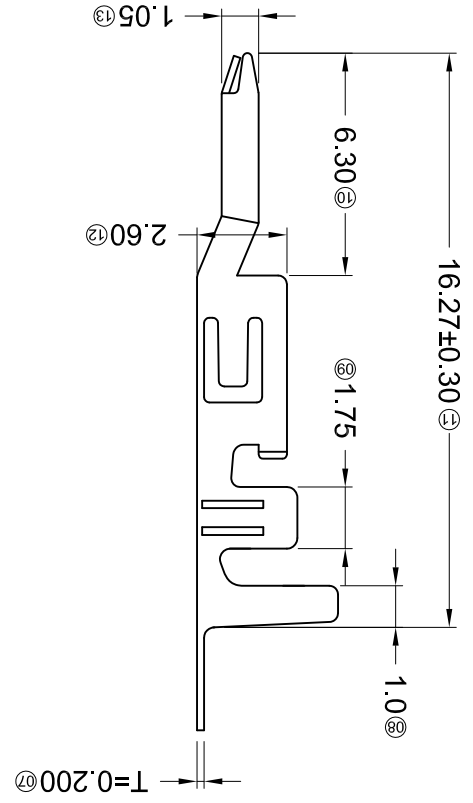
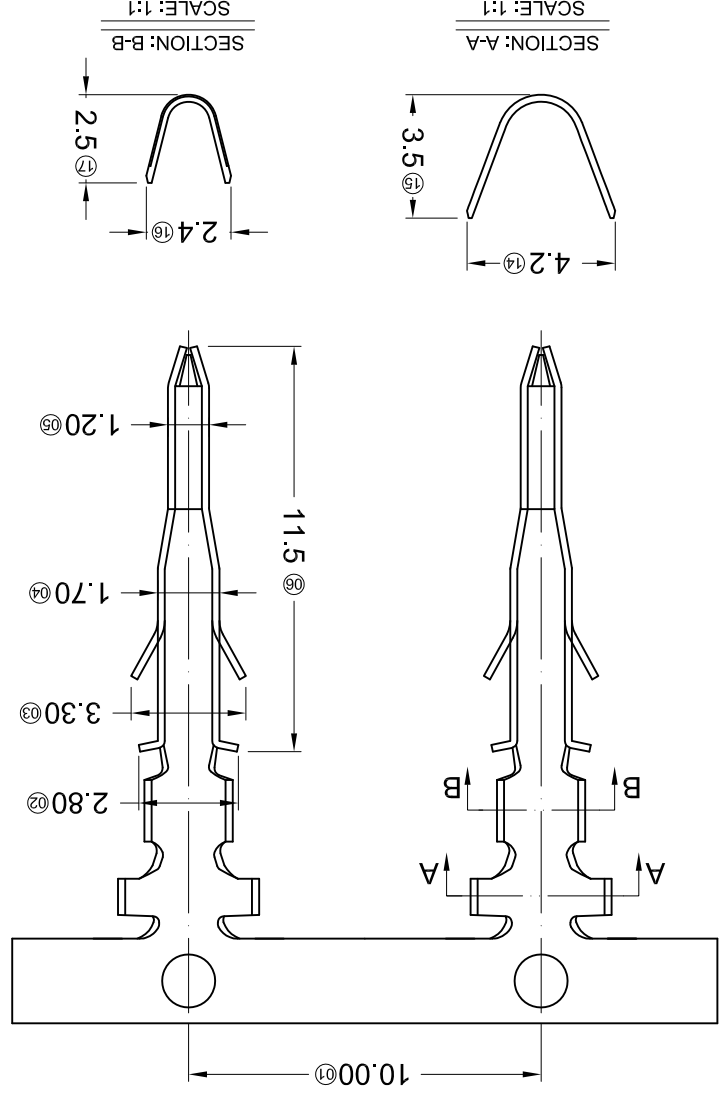


- Specifications :**
- Voltage rating: 600V AC / DC
  - Current rating: 9A AC / DC
  - Withstanding voltage: 1500V AC/minute
  - Temperature range: -25°C~+85°C
  - Insulation resistance: ≥1000MΩ
  - Contact resistance: ≤10mΩ
  - After environmental testing: ≤20mΩ
- X9357 T M-B SN X-H**
- Series No.
  - Category: T-Terminal
  - Appearance type: M-Male Terminal
  - Material: B-Brass
  - Plating Style: SN-Bright Tin Plating
  - Plating Method :
  - Blank-Stamping before Plating
  - H-High Crimp

REVISIONS		UNSPECIFIED TOLERANCES	
MARK	DESCRIPTION	DATE	APPROVED
△ X			
△ X			
△ X			
香港星坤工業精密有限公司			
KXB INDUSTRIAL PRECISION CO., LIMITED			
For and on behalf of			
KXB INDUSTRIAL PRECISION CO., LIMITED			
Authorized Signatures			

DSND	DATE	SCALE: N/A	MODEL TYPE: X9357TM-XSN
DWN	DATE	VIEW:	PART NO.:
CHKD	DATE	UNIT: mm	DWG NO.:
APPD	DATE	SIZE: A4	
KXB INDUSTRIAL PRECISION CO., LIMITED		WEIGHT: 1.0g	SHEET: 1/1
		REVISION	A0

PART NO	Material	Wire Range	Insulation O.D.	Finish	Suitable XKB
X9357TM-BSN	Brass	AWG#18-22	3.00mm(Max)	Stamping Before Plating:30u" Ni;70u"Sn	X9357HF
X9357TM-PSN	Phosphor Bronze				



- Specifications :
- Voltage rating: 600V AC / DC
  - Current rating: 9A AC / DC
  - Withstanding voltage: 1500V AC/minute
  - Temperature range: -25°C~+85°C
  - Insulation resistance: ≥1000MΩ
  - Contact resistance: ≤10mΩ
  - After environmental testing: ≤20mΩ
- X9357 T M-X SN X-X
- Series No.
  - Category: T-Terminal
  - Appearance type: M-Male Terminal
  - Material: B-Brass; P-Phosphor Bronze
  - Plating Style: SN-Bright Tin Plating
  - Plating Method :
  - Blank-Stamping before Plating
  - Mold NO/MARK&Special NO



REVISIONS <i>(Authorized Signatures)</i>		UNSPECIFIED TOLERANCES		KXB INDUSTRIAL PRECISION CO., LIMITED	
MARK	DESCRIPTION	DATE	REVISED	APPROVED	L > 63
△ X					16 < L ≤ 63
△ X					4 < L ≤ 16
△ X					L ≤ 4
					ANGULAR
					±5°
DSND	DATE	SCALE: N/A	MODEL TYPE:	X9357WV-XXHN-XXSN	
DWN	DATE	VIEW:	PART NO.:	4.20mm Crimp Style connectors	
CHKD	DATE	UNIT: mm	DWG NO.:		
APPD	DATE	SIZE: A4	WEIGHT	1.0g	
			SHEET	1/1	
			REVISION	A0	

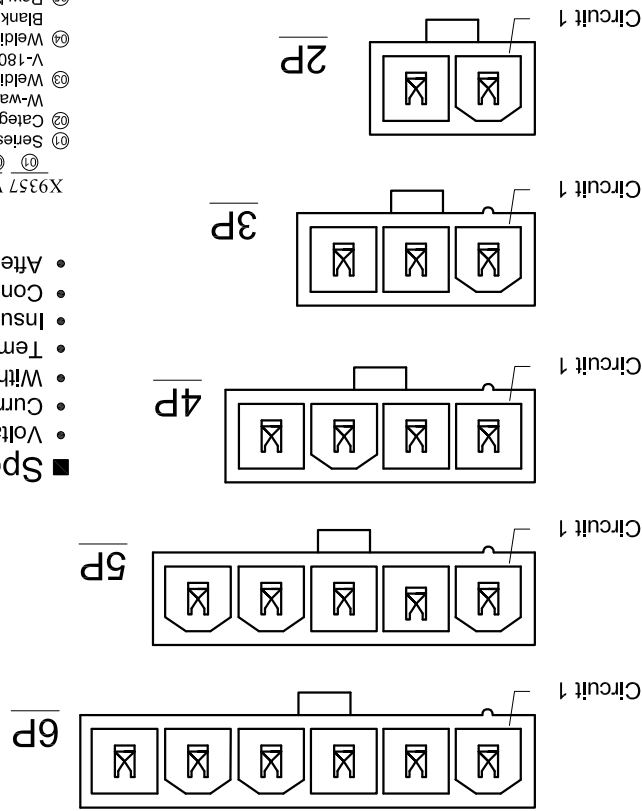
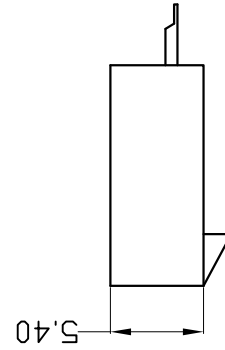
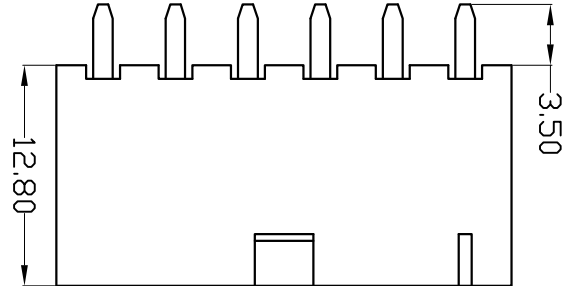
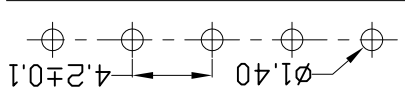
For and on behalf of  
KXB INDUSTRIAL PRECISION CO., LIMITED  
香港星坤工業精密有限公司

PART NO	Material	Material(Pin)	Finish(Pin)	Suitable XKB Terminal
X9357WR-XXHN-N2SN	Nylon 66 UL 94V-2	Brass	Tin-Plated	X9357H
X9357WV-XXHN-N0SN	Nylon 66 UL 94V-0	Brass	Tin-Plated	X9357H

Poles	A	B
2	4.20	9.60
3	8.40	13.80
4	12.60	18.00
5	16.80	22.20
6	21.00	26.40

Dimensions

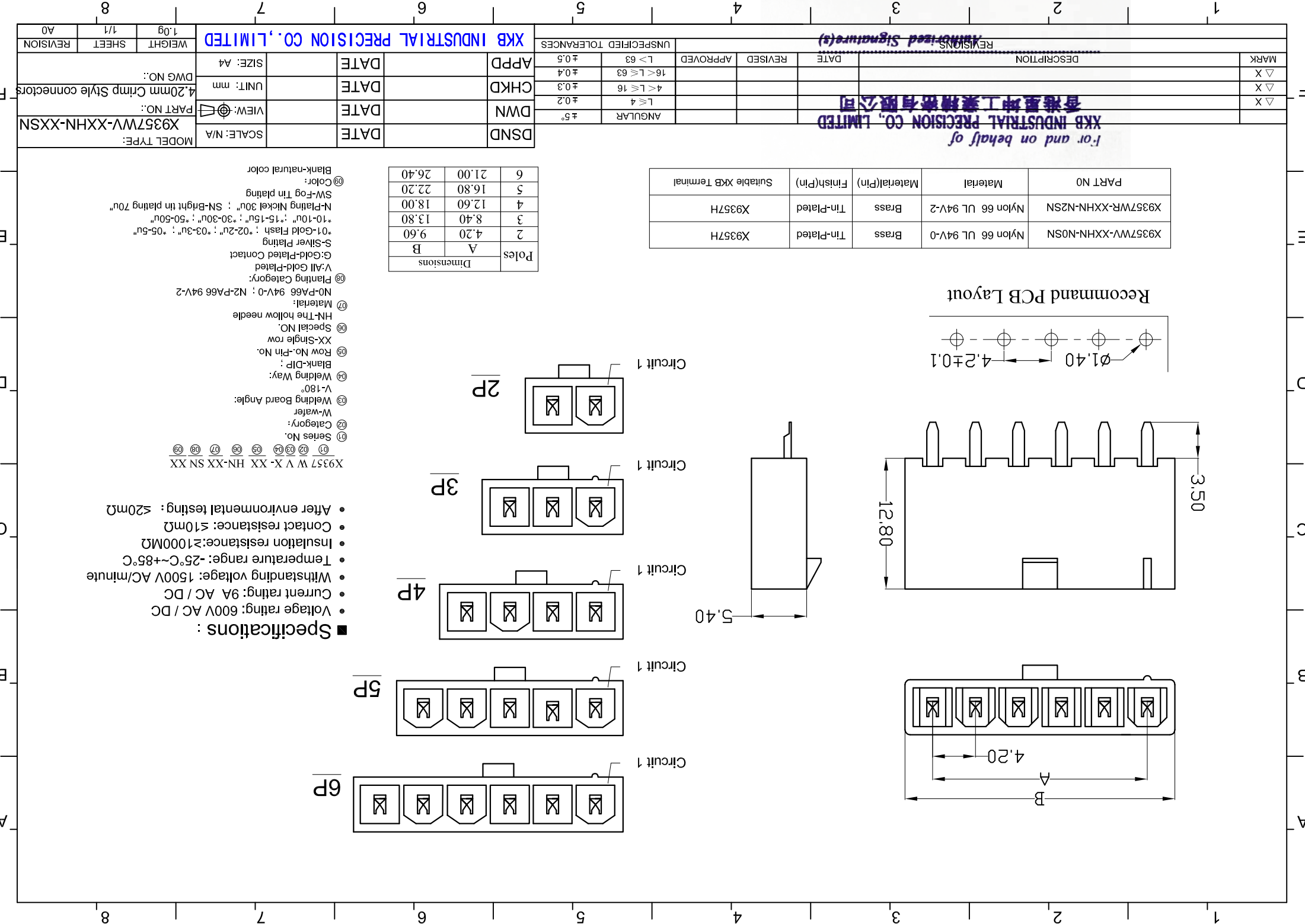
Recommend PCB Layout



- ① Series No.
- ② Category:
- ③ W-water
- ④ Welding Board Angle:
- ⑤ V-180°
- ⑥ Welding Way:
- ⑦ Blank-DIP
- ⑧ Row No.-Pin No.
- ⑨ XX-Single row
- ⑩ Special NO.
- ⑪ HN-The hollow needle
- ⑫ Material:
- ⑬ NO-PA66 94V-0 ; N2-PA66 94V-2
- ⑭ Planting Category:
- ⑮ V-All Gold-Plated
- ⑯ G-Gold-Plated Contact
- ⑰ S-Silver Plating
- ⑱ \*0-Gold Flash : \*02-2u" ; \*03-3u" ; \*05-5u"
- ⑲ \*10-10u" ; \*15-15u" ; \*30-30u" ; \*50-50u"
- ⑳ N-Plating Nickel 30u" ; SM-Bright tin plating 70u"
- ㉑ SW-Fog Tin plating
- ㉒ Color:
- ㉓ Blank-natural color

- Specifications :
- Voltage rating: 600V AC / DC
  - Current rating: 9A AC / DC
  - Withstanding voltage: 1500V AC/minute
  - Temperature range: -25°C~+85°C
  - Insulation resistance: ≥1000MΩ
  - Contact resistance: ≤10mΩ
  - After environmental testing : ≤20mΩ

X9357 W V X-XX HN-XX SN XX







For and on behalf of  
**KKB INDUSTRIAL PRECISION CO., LIMITED**  
 香港星坤工業精密有限公司

REVISIONS  
 (Authorized Signatures)

MARK	DESCRIPTION	DATE	REVISED	APPROVED	UNSPECIFIED TOLERANCES		APPD	DATE	SIZE: A4	WEIGHT	SHEET	REVISION
					L > 63	±0.5						
△ X					16 > L ≤ 63	±0.4				1.0g	1/1	A0
△ X					4 > L ≤ 16	±0.3						
△ X					L ≤ 4	±0.2						
					ANGULAR	±5°						

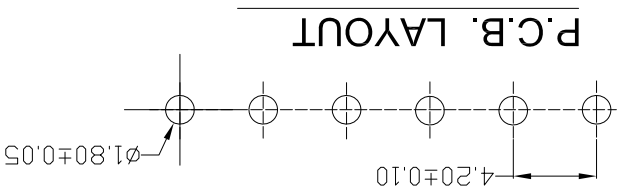
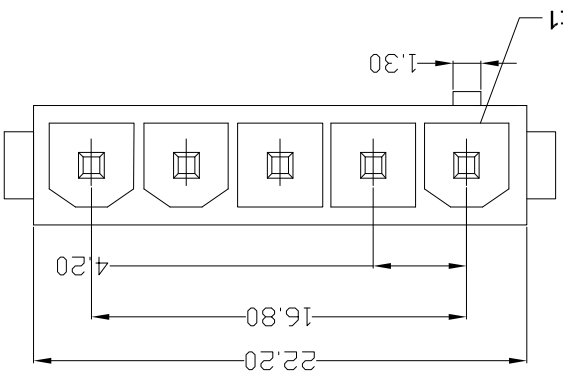
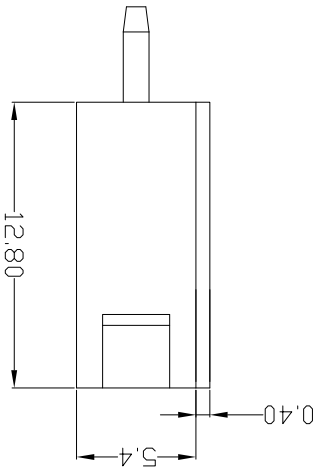
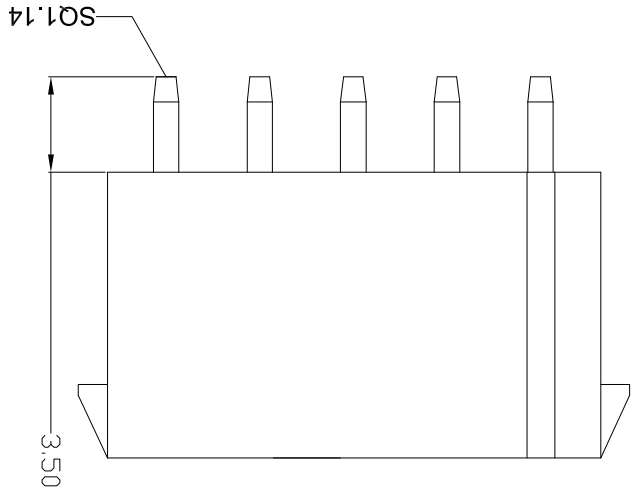
DSND	DATE	SCALE: N/A	MODEL TYPE:
			X9357WV-05A-N2SN

DWN	DATE	VIEW:	PART NO.:
		VIEW: mm	4.20mm Crimp Style connectors

CHKD	DATE	UNIT: mm	DWG NO.:

APPD	DATE	SIZE: A4	REVISION

PART NO	Material	Material(Pin)	Finish(Pin)	Suitable XKB Terminal
X9357WV-05A-N2SN	Nylon 66 UL 94V-2	Brass	Tin-Plated	X9357H



- Specifications :**
- Voltage rating: 600V AC / DC
  - Current rating: 9A AC / DC
  - Withstanding voltage: 1500V AC/minute
  - Temperature range: -25°C~+85°C
  - Insulation resistance: ≥1000MΩ
  - Contact resistance: ≤10mΩ
  - After environmental testing : ≤20mΩ
- X9357 W V X- XX A-XX SN XX
- ① Series No.  
 ② Category:  
 W-water  
 ③ Welding Board Angle:  
 V-180°  
 ④ Welding Way:  
 Blank-DIP;  
 ⑤ Row No.-Pin No.  
 XX-Single row  
 ⑥ Special NO.  
 A-On both sides of hook  
 ⑦ Material:  
 N0-PA66 94V-0; N2-PA66 94V-2  
 ⑧ Plating Category:  
 V:All Gold-Plated  
 G:Gold-Plated Contact  
 S-Silver Plating  
 \*01-Gold Flash : \*02-2u" ; \*03-3u" ; \*05-5u"  
 \*10-10u" ; \*15-15u" ; \*30-30u" ; \*50-50u"  
 N-Plating Nickel 30u" ; SN-Bright tin plating 70u"  
 SW-Fog Tin plating  
 ⑨ Color:  
 Blank-natural color

For and on behalf of  
**KKB INDUSTRIAL PRECISION CO., LIMITED**  
 香港星洲工業精密有限公司

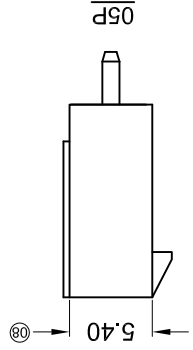
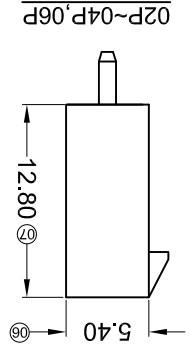
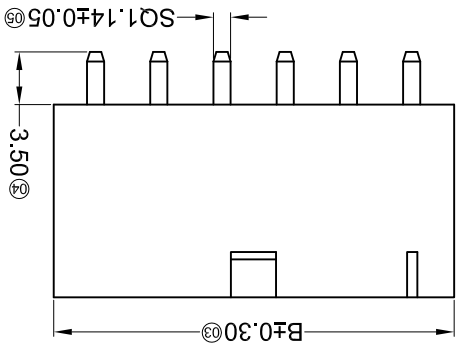
REVISIONS  
 (Authorized Signatures)

MARK	DESCRIPTION	DATE	REVISED	APPROVED	UNSPECIFIED TOLERANCES	
					L > 63	L ≤ 63
△ X					±0.5	
△ X					±0.4	
△ X					±0.3	
△ X					±0.2	
					±0.1	
					ANGULAR	±5°

DSND	DATE	SCALE: N/A	MODEL TYPE: X9357WV-XX-XXSN
DWN	DATE	VIEW:	PART NO.:
CHKD	DATE	UNIT: mm	DWG NO.:
APPD	DATE	SIZE: A4	REVISION
		WEIGHT	1.0g
		SHEET	1/1
		REVISION	A0

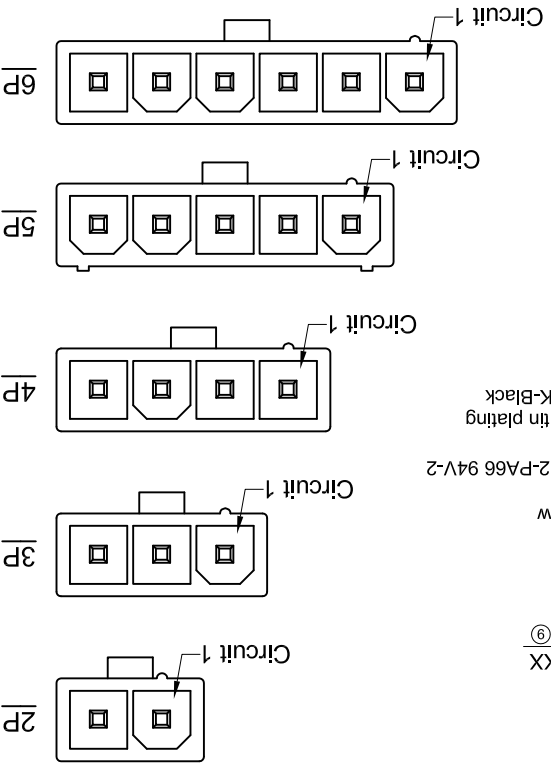
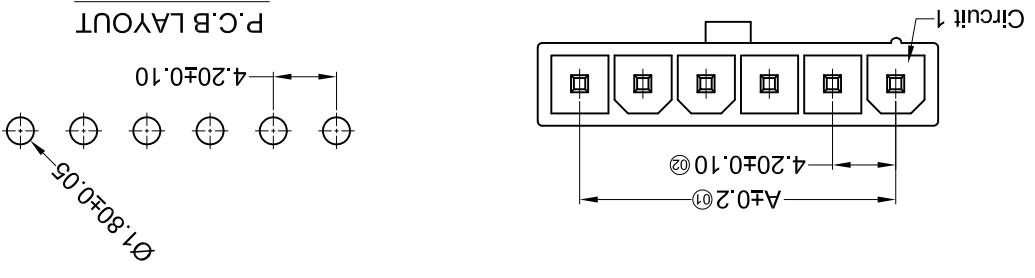
PART NO	Material	Material(Pin)	Finish(Pin)	Suitable XKB Terminal
X9357WV-XXHF-N2SN	Nylon 66 UL 94V-2 Halogen free	Brass	Tin-Plated	9357H
X9357WV-XX-N0V01	Nylon 66 UL 94V-0		Gold-Flash	
X9357WV-XX-N0SN	Nylon 66 UL 94V-0		Tin-Plated	
X9357WV-XX-N2V01	Nylon 66 UL 94V-2		Gold-Flash	
X9357WV-XX-N2SN	Nylon 66 UL 94V-2		Tin-Plated	
X9357WV-XX-N2SN	Nylon 66 UL 94V-2		Tin-Plated	

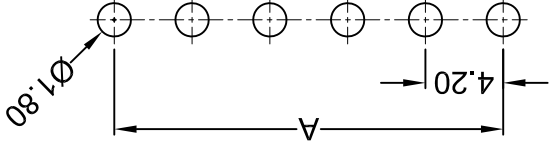
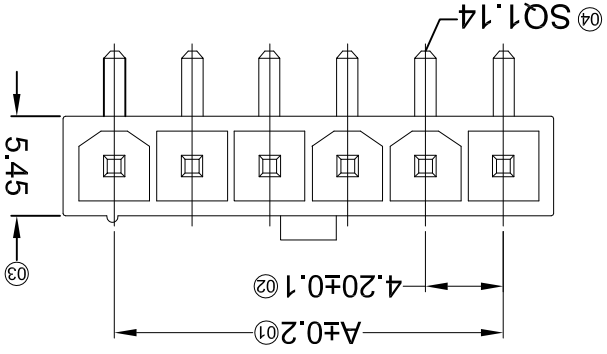
Poles	Dimensions(mm)	
	A	B
02	4.20	9.60
03	8.40	13.80
04	12.60	18.00
05	16.80	22.20
06	21.00	26.40



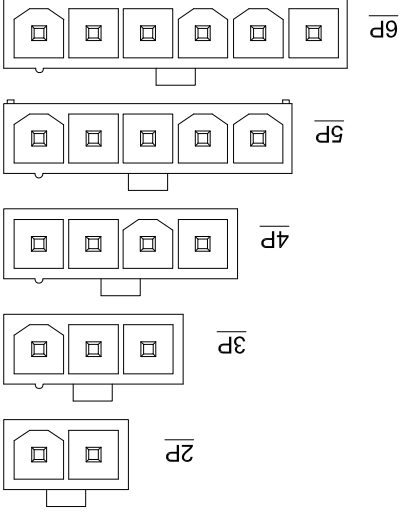
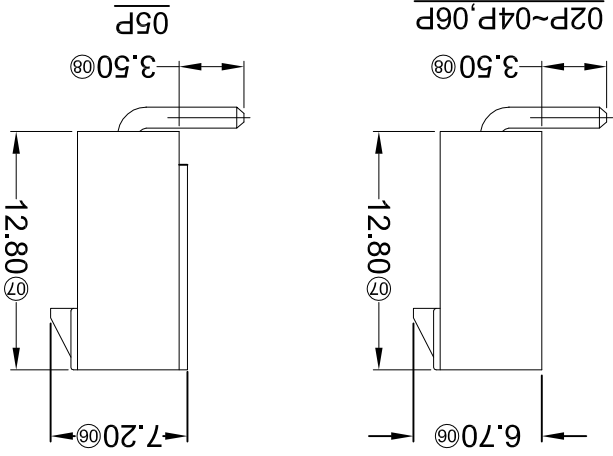
X9357 W V X- XX X-XX SN XX  
 ① Series No.  
 ② Category: W-water  
 ③ Welding Board Angle: V-180°  
 ④ Welding Way: Blank-DIP;  
 ⑤ Row No.-Pin No.: XX-Single row  
 ⑥ Special NO. HF-Halogen free  
 ⑦ Material: N0-PA66 94V-0; N2-PA66 94V-2  
 ⑧ Plating Category:  
 V01:All Gold Flash; SN-Bright tin plating  
 ⑨ Color: Blank-natural color ;BK-Black

- Specifications :
- Voltage rating: 600V AC / DC
  - Current rating: 9A AC / DC
  - Withstanding voltage: 1500V AC/minute
  - Temperature range: -25°C~+85°C
  - Insulation resistance: ≥1000MΩ
  - Contact resistance: ≤10mΩ
  - After environmental testing: ≤20mΩ





Recommended P.C.B Layout  
General Tolerance±0.05



■ Specifications :

- Voltage rating: 600V AC / DC
- Current rating: 9A AC / DC
- Withstanding voltage: 1500V AC/minute
- Temperature range: -25°C~+85°C
- Insulation resistance: ≥1000MΩ
- Contact resistance: ≤10mΩ
- After environmental testing : ≤20mΩ

- ①7 Series No.
- ①2 Category: W-water
- ①3 Welding Board Angle: R-Right Angle 90°
- ①4 Welding Way: Blank-DIP
- ①5 Row No.-Pin No.: XX-02P~06P
- ①6 Special NO.:
- ①7 Material: N0-PA66 94V-0; LP-LCP 94V-0; N2-PA66 94V-2; 9T-PA9T 94-0; 6T-PA6T 94V-0
- ①8 Plating Category: SN-Bright tin plating
- ①9 Color: Blank-natural color ;

X9357 W R X- XX X-XX SN XX  
①1 ①2 ①3 ①4 ①5 ①6 ①7 ①8 ①9

Poles	Dimensions(mm)	
	A	B
02	4.20	9.60
03	8.40	13.80
04	12.60	18.00
05	16.80	22.20
06	21.00	26.40

PART NO	Material	Material(Pin)	Finish(Pin)	Suitable XKB Terminal
X9357WR-XXX-9TSN	Nylon 9T UL 94V-0	Brass	Tin-Plated	X9357H
X9357WR-XXX-6TSN	Nylon 6T UL 94V-0			
X9357WR-XXX-L-PSN	LCP UL 94V-0			
X9357WR-XXX-N0SN	Nylon 66 UL 94V-0			
X9357WR-XXX-N2SN	Nylon 66 UL 94V-2			
X9357WR-XXX-9TSN	Nylon 66 UL 94V-2			

For and on behalf of  
KKB INDUSTRIAL PRECISION CO., LIMITED  
香港星坤工業精密有限公司

REVISIONS  
(Authorized Signatures)

MARK	DESCRIPTION	DATE	REVISED	APPROVED	UNSPECIFIED TOLERANCES	APPD	DATE	SIZE: A4	WEIGHT	SHEET	REVISION
△X					±0.2	DWN	DATE	VIEW:	1.0g	1/1	A0
△X					L ≤ 4	CHKD	DATE	UNIT: mm			
△X					4 < L ≤ 16		DATE	DWG NO.:			
					16 < L ≤ 63			4.20mm Crimp Style connectors			
					L > 63			PART NO.:			
					±0.5			X9357WR-XX-XXSN			
						DSND	DATE	SCALE: N/A			
								MODEL TYPE:			

KKB INDUSTRIAL PRECISION CO., LIMITED

For and on behalf of  
**XKB INDUSTRIAL PRECISION CO., LIMITED**  
 香港星坤工業精密有限公司

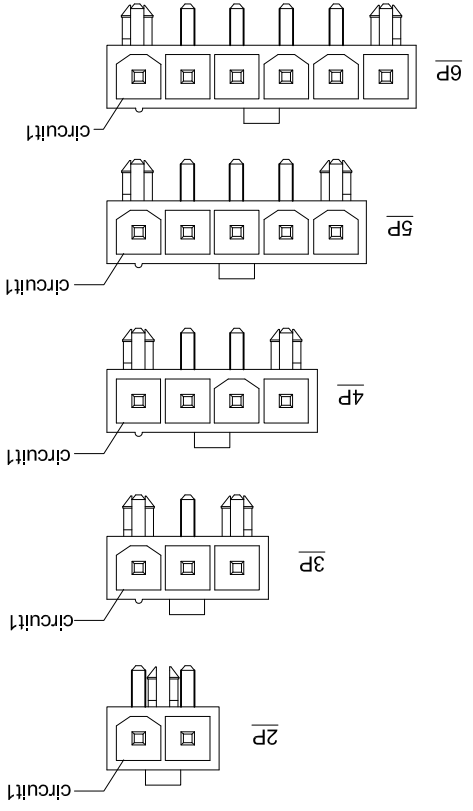
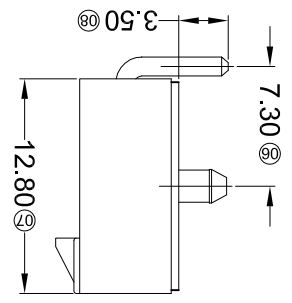
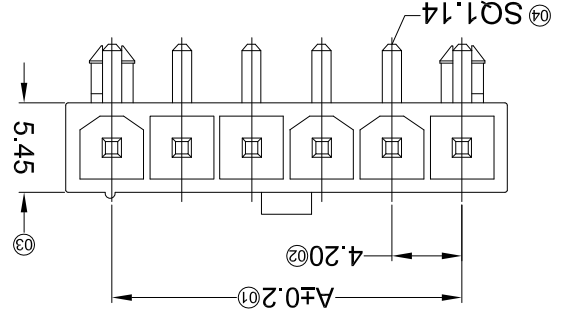
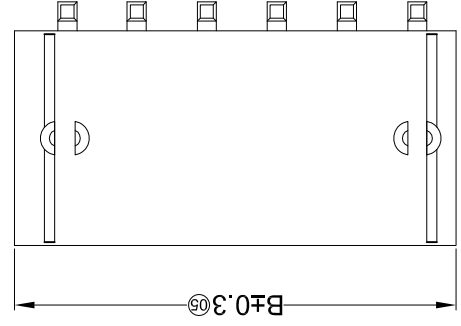
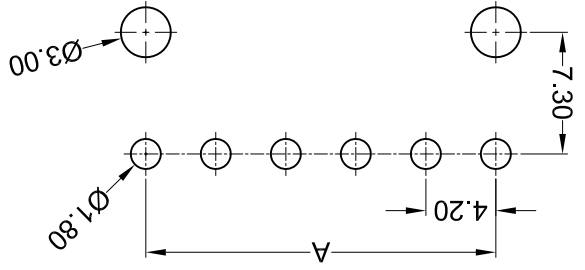
REVISIONS  
 (Authorized Signatures)

MARK	DESCRIPTION	DATE	REVISED	APPROVED	UNSPECIFIED TOLERANCES
△ X					±0.5
△ X					L > 63
△ X					16 < L ≤ 63
					±0.4
					4 < L ≤ 16
					±0.3
					L ≤ 4
					±0.2
					ANGULAR
					±5°

DSND	DATE	SCALE: N/A	MODEL TYPE:
DWN <td>DATE <td>VIEW: </td> <td>PART NO.: X9357WR-XXS-XXSNXX</td> </td>	DATE <td>VIEW: </td> <td>PART NO.: X9357WR-XXS-XXSNXX</td>	VIEW:	PART NO.: X9357WR-XXS-XXSNXX
CHKD <td>DATE <td>UNIT: mm</td> <td>DWG NO.: 4.20mm Crimp Style connectors</td> </td>	DATE <td>UNIT: mm</td> <td>DWG NO.: 4.20mm Crimp Style connectors</td>	UNIT: mm	DWG NO.: 4.20mm Crimp Style connectors
APPD <td>DATE <td>SIZE: A4</td> <td></td> </td>	DATE <td>SIZE: A4</td> <td></td>	SIZE: A4	

REVISION	SHEET	WEIGHT
A0	1/1	1.0g

Recommended P.C.B Layout  
 General Tolerance ±0.05



Poles	A	B
Dimensions (mm)	4.20	9.60
6	21.00	26.40
5	16.80	22.20
4	12.60	18.00
3	8.40	13.80
2	4.20	9.60

PART NO	Material	Material(Pin)	Finish(Pin)	Suitable XKB Terminal
X9357WR-XXS-N2SN	Nylon 66 UL 94V-2	Brass	Tin-Plated	X9357H
X9357WR-XXS-N0SN	Nylon 66 UL 94V-0			
X9357WR-XXS-N2SNBK (Black)	Nylon 66 UL 94V-2			

- ① Series No.
- ② Category: W-water
- ③ Welding Board Angle: R-Right Angle 90°
- ④ Welding Way: Blank-DIP
- ⑤ Row No.-Pin No.: XX-Single row
- ⑥ Special NO.: S-With positioning column
- ⑦ Material: N0-PA66 94V-0;
- ⑧ N2-PA66 94V-2
- ⑨ Plating Category: SN-Bright tin plating
- ⑩ Color: Blank-natural color ; BK-Black

- Specifications :**
- Voltage rating: 600V AC / DC
  - Current rating: 9A AC / DC
  - Withstanding voltage: 1500V AC/minute
  - Temperature range: -25°C~+85°C
  - Insulation resistance: ≥1000MΩ
  - Contact resistance: ≤10mΩ
  - After environmental testing : ≤20mΩ

X9357 W R X- XX S-XX SN XX  
 ① ② ③ ④ ⑤ ⑥ ⑦ ⑧ ⑨



## X-ON Electronics

Largest Supplier of Electrical and Electronic Components

*Click to view similar products for [Headers & Wire Housings](#) category:*

*Click to view products by [XKB](#) manufacturer:*

Other Similar products are found below :

[95000-104TRLF](#) [10135584-644402LF](#) [DF62W-EP2022PCA](#) [95000-106TRLF](#) [DF62W-2022SCA](#) [DF62W-EP2022PC](#) [2203348](#) [DF62W-2022SC](#) [1084018](#) [1029039](#) [1084017](#) [802-10-012-10-002000](#) [1112640](#) [1112639](#) [891-007-9SS-BST1T](#) [000-34000](#) [0008550134](#) [0009482033](#) [0009507031](#) [57102-F02-18ULF](#) [57102-S06-03LF](#) [57202-S52-04LF](#) [PCN6-15S-2.5E](#) [0039019024](#) [58102-G61-06LF](#) [582553-1](#) [0009485154](#) [0009508121](#) [0022285053](#) [0050291907](#) [018731A](#) [LY20-4P-DT1-P1E-BR](#) [02.125.8002.8](#) [60101931](#) [60598-1 \(Cut Strip\)](#) [M1625-3R/100](#) [61062-3](#) [61082-181009](#) [CSU011177004](#) [636-1427](#) [638009-1](#) [641938-9](#) [641991-4](#) [644168-1](#) [644827-2](#) [647662-1](#) [65039-019ELF](#) [65692-001LF](#) [65781-018](#) [65781-047](#)