

REVISIONS  
*Authorized Signature(s)*

| MARK | DESCRIPTION | DATE | REVISED | APPROVED | UNSPECIFIED TOLERANCES |
|------|-------------|------|---------|----------|------------------------|
| △ X  |             |      |         |          | L > 63                 |
| △ X  |             |      |         |          | 16 > L ≤ 63            |
| △ X  |             |      |         |          | 4 < L ≤ 16             |
| △ X  |             |      |         |          | L ≤ 4                  |
|      |             |      |         |          | ANGULAR                |
|      |             |      |         |          | ± 5°                   |

For and on behalf of  
**XKB INDUSTRIAL PRECISION CO., LIMITED**  
香港星坤工業精密有限公司

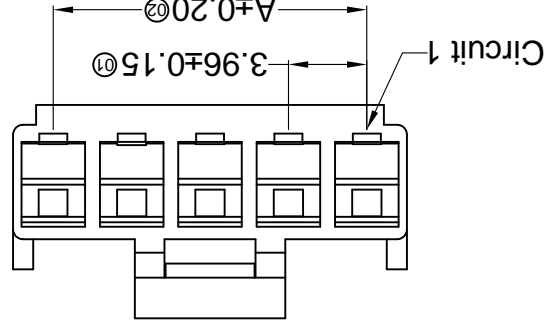
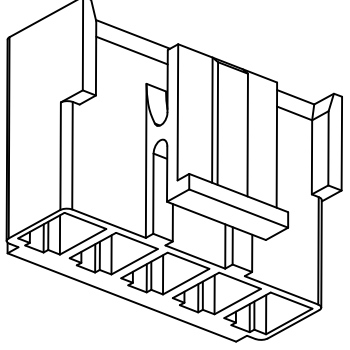
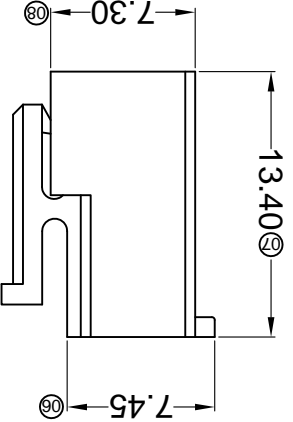
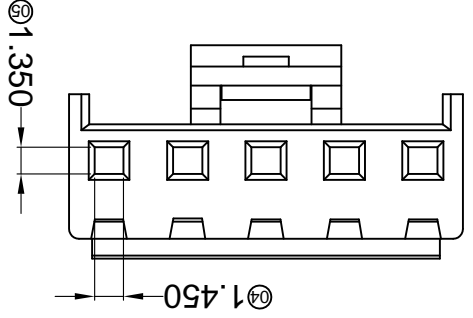
**XKB INDUSTRIAL PRECISION CO., LIMITED**

|            |                               |
|------------|-------------------------------|
| WEIGHT     | 1.0g                          |
| SHEET      | 1/1                           |
| REVISION   | A0                            |
| DATE       |                               |
| SIZE       | A4                            |
| UNIT       | mm                            |
| VIEW       | VIEW: ⑧                       |
| SCALE      | N/A                           |
| MODEL TYPE | X9396H-XX-N0                  |
| PART NO.   |                               |
| DWG NO.:   | 3.96mm Crimp Style Connectors |

| PART NO        | Material          | Suitable XKB Terminal | Suitable XKB Terminal |
|----------------|-------------------|-----------------------|-----------------------|
| X9396H-XX-N0-C | Nylon 66 UL 94V-0 | X9396T                | Suitable XKB Terminal |
| X9396H-XX-N0   | Nylon 66 UL 94V-0 | X9396W                | Suitable XKB Terminal |

| Poles | Dimensions(mm) |       |
|-------|----------------|-------|
|       | A              | B     |
| 02    | 3.96           | 8.02  |
| 03    | 7.92           | 11.98 |
| 04    | 11.88          | 15.94 |
| 05    | 15.84          | 19.90 |
| 06    | 19.80          | 23.86 |
| 07    | 23.76          | 27.82 |
| 08    | 27.72          | 31.78 |

- Specifications :**
- Voltage rating: 250V AC / DC
  - Current rating: 7A AC / DC
  - Withstanding voltage: 1500V AC/minute
  - Temperature range: -25°C~+85°C
  - Insulation resistance: ≥1000MΩ
  - Contact resistance: ≤10mΩ
  - After environmental testing: ≤20mΩ
- X9396 H X - XX X - NO XX
- ① Series No.    ① ② ③ ④ ⑤ ⑥ ⑦
- ② Category: H-HSG
- ③ Welding Board Angle: Blank-ordinary
- ④ Row No.-Pin No.:XX-Single row ;
- ⑤ Plug the Pin & special No.
- ⑥ Material: NO-PA66 94V-0
- ⑦ C-Resistance to glowing filament

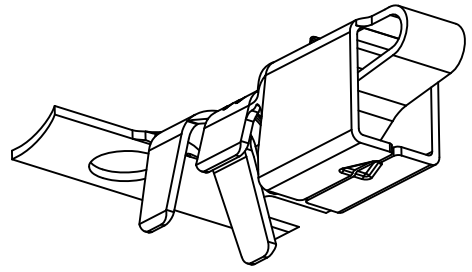
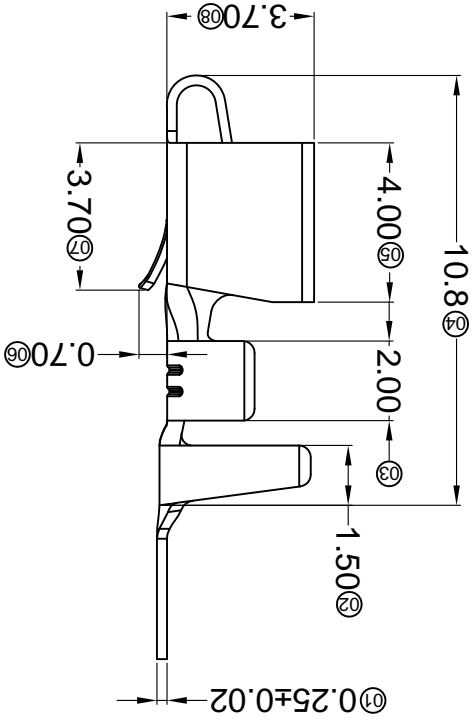
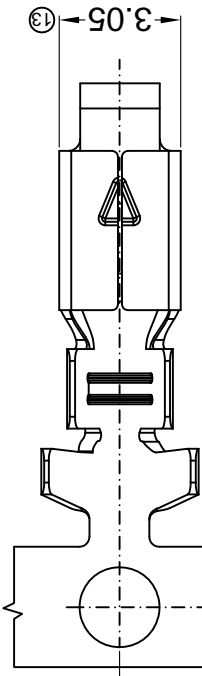
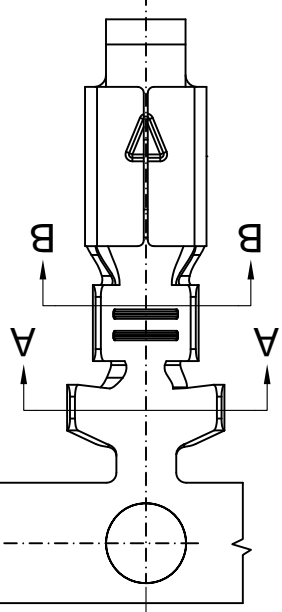
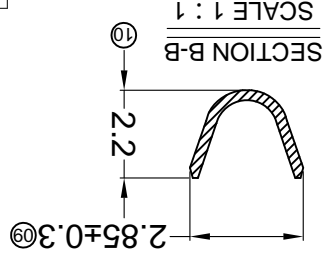
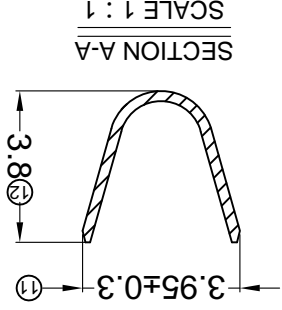


|                                       |  |                        |  |             |  |          |  |         |  |      |  |             |  |      |  |
|---------------------------------------|--|------------------------|--|-------------|--|----------|--|---------|--|------|--|-------------|--|------|--|
| REVISIONS                             |  | UNSPECIFIED TOLERANCES |  | DATE        |  | APPROVED |  | REVISED |  | DATE |  | DESCRIPTION |  | MARK |  |
| XKB INDUSTRIAL PRECISION CO., LIMITED |  | L > 63                 |  | L > 63      |  | APPROVED |  | REVISED |  | DATE |  | DESCRIPTION |  | MARK |  |
| XKB INDUSTRIAL PRECISION CO., LIMITED |  | 16 < L ≤ 63            |  | 16 < L ≤ 63 |  | APPROVED |  | REVISED |  | DATE |  | DESCRIPTION |  | MARK |  |
| XKB INDUSTRIAL PRECISION CO., LIMITED |  | 4 < L ≤ 16             |  | 4 < L ≤ 16  |  | APPROVED |  | REVISED |  | DATE |  | DESCRIPTION |  | MARK |  |
| XKB INDUSTRIAL PRECISION CO., LIMITED |  | L ≤ 4                  |  | L ≤ 4       |  | APPROVED |  | REVISED |  | DATE |  | DESCRIPTION |  | MARK |  |
| XKB INDUSTRIAL PRECISION CO., LIMITED |  | ANGULAR                |  | ANGULAR     |  | APPROVED |  | REVISED |  | DATE |  | DESCRIPTION |  | MARK |  |
| XKB INDUSTRIAL PRECISION CO., LIMITED |  | ±5°                    |  | ±5°         |  | APPROVED |  | REVISED |  | DATE |  | DESCRIPTION |  | MARK |  |

For and on behalf of  
**XKB INDUSTRIAL PRECISION CO., LIMITED**  
 香港星坤工業精密有限公司

|      |      |            |                               |
|------|------|------------|-------------------------------|
| DSND | DATE | SCALE: N/A | MODEL TYPE: X9396T-BSN        |
| DWN  | DATE | VIEW:      | PART NO.:                     |
| CHKD | DATE | UNIT: mm   | 3.96mm Crimp Style Connectors |
| APPD | DATE | SIZE: A4   | DWG NO.:                      |

|            |          |            |                 |   |                       |
|------------|----------|------------|-----------------|---|-----------------------|
| PART NO    | Material | Wire Range | Insulation O.D. | Finish                                  | Suitable XKB Terminal |
| X9396T-BSN | Brass    | AWG#18-22  | 3.00mm(Max)     | Stamping Before Plating;30u" Ni;70u" Sn | X9396H                |



- Specifications :
- Voltage rating: 250V AC / DC
  - Current rating: 7A AC / DC
  - Withstanding voltage: 1500V AC/minute
  - Temperature range: -25°C~+85°C
  - Insulation resistance: ≥1000MΩ
  - Contact resistance: ≤10mΩ
  - After environmental testing: ≤20mΩ
- X9396 T X - B SN X - X
- ① Series Number
  - ② Category: T-terminal
  - ③ Shape: Blank-ordinary
  - ④ Material: B-brass
  - ⑤ Plating style: SN-Bright tin plating
  - ⑥ Plating method: Blank-Stamping before plating
  - ⑦ B-Plating before stamping
  - ⑧ Mold No./Mark/Special No.

|          |      |
|----------|------|
| WEIGHT   | 1.0g |
| SHEET    | 1/1  |
| REVISION | A0   |

|      |      |      |
|------|------|------|
| DATE | DATE | DATE |
|------|------|------|

|      |      |      |
|------|------|------|
| DATE | DATE | DATE |
|------|------|------|

|      |      |      |
|------|------|------|
| DATE | DATE | DATE |
|------|------|------|

|      |      |      |
|------|------|------|
| DATE | DATE | DATE |
|------|------|------|

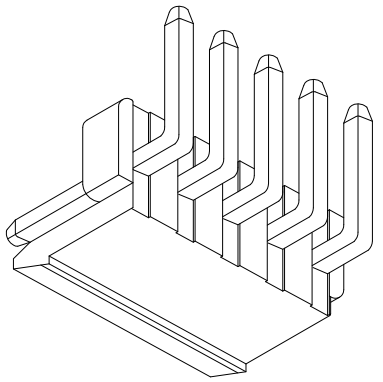
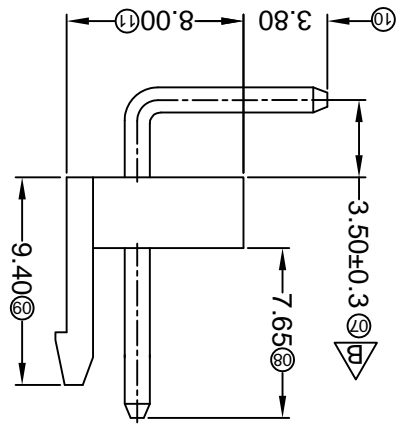
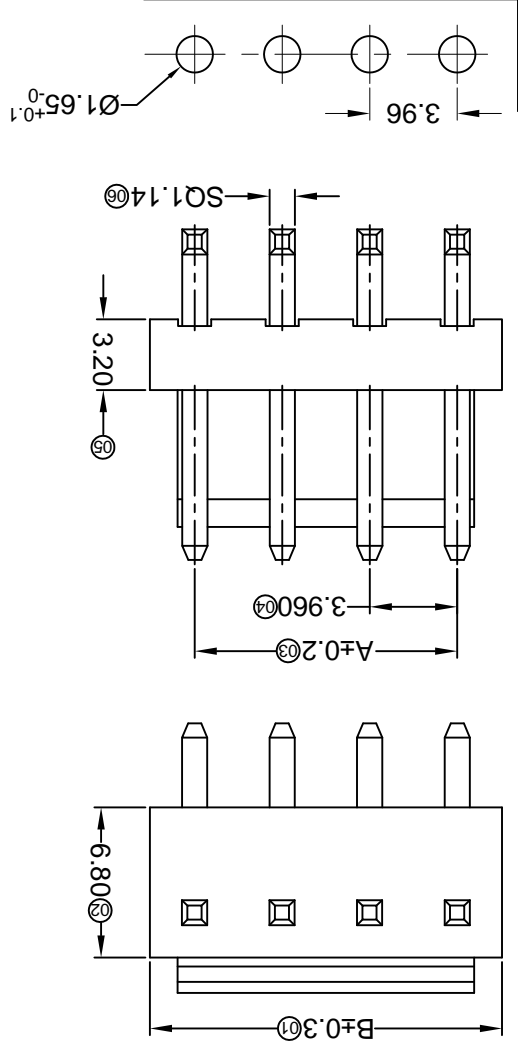
|      |      |      |
|------|------|------|
| DATE | DATE | DATE |
|------|------|------|

For and on behalf of  
**KKB INDUSTRIAL PRECISION CO., LIMITED**  
 香港星坤工業精密有限公司

| MARK | DESCRIPTION | DATE | REVISED | APPROVED | UNSPECIFIED TOLERANCES |
|------|-------------|------|---------|----------|------------------------|
| △ X  |             |      |         |          | L > 63                 |
| △ X  |             |      |         |          | 16 < L ≤ 63            |
| △ X  |             |      |         |          | 4 < L ≤ 16             |
|      |             |      |         |          | L ≤ 4                  |
|      |             |      |         |          | ANGULAR                |
|      |             |      |         |          | ± 5°                   |

| DATE | SCALE: N/A | MODEL TYPE: X9396WR-XX-N0SN             |
|------|------------|---|
| DATE | VIEW:      | PART NO.: 3.96mm Crimp Style Connectors |
| DATE | UNIT: mm   | DWG NO.:                                |
| DATE | SIZE: A4   | WEIGHT: 1.0g                            |
| DATE |            | SHEET: 1/1                              |
| DATE |            | REVISION: A0                            |

Recommended P.C.B Layout  
 General Tolerance±0.05



| PART NO         | Material          | Material(Pin) | Finish(Pin) | Suitable XKB Terminal |
|-----------------|-------------------|---------------|-------------|-----------------------|
| X9396WR-XX-N0SN | Nylon 66 UL 94V-0 | Brass         | Tin-Plated  | X9396H                |

| Poles | Dimensions(mm) |       | Poles | Dimensions(mm) |       |
|-------|----------------|-------|-------|----------------|-------|
|       | A              | B     |       | A              | B     |
| 02    | 3.96           | 7.92  | 08    | 27.72          | 31.68 |
| 03    | 7.92           | 11.88 | 09    | 31.68          | 35.64 |
| 04    | 11.88          | 15.84 | 10    | 35.64          | 39.60 |
| 05    | 15.84          | 19.80 | 11    | 39.60          | 43.56 |
| 06    | 19.80          | 23.76 | 12    | 43.56          | 47.52 |
| 07    | 23.76          | 27.72 |       |                |       |

X9396 W R X - XX X - NO SN XX  
 ① Series No.  
 ② Category: W-water  
 ③ Welding Board Angle:R-90°  
 ④ Welding Way: Blank-DIP  
 ⑤ Row No.-Pin No. XX-Single row  
 ⑥ Plug the Pin & Special NO:  
 ⑦ Material: NO-PA66 94V-0  
 ⑧ Plating Category: SN-Bright tin plating  
 ⑨ Color: Blank-natural color

- Specifications :
- Voltage rating: 250V AC / DC
  - Current rating: 7A AC / DC
  - Withstanding voltage: 1500V AC/minute
  - Temperature range: -25°C~+85°C
  - Insulation resistance: ≥1000MΩ
  - Contact resistance: ≤10mΩ
  - After environmental testing: ≤20mΩ

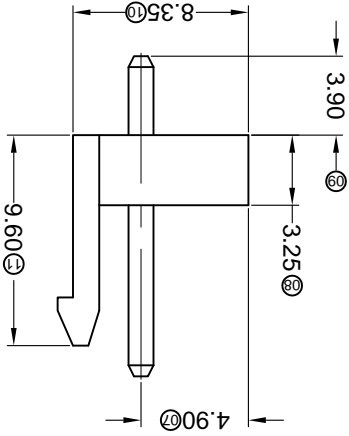
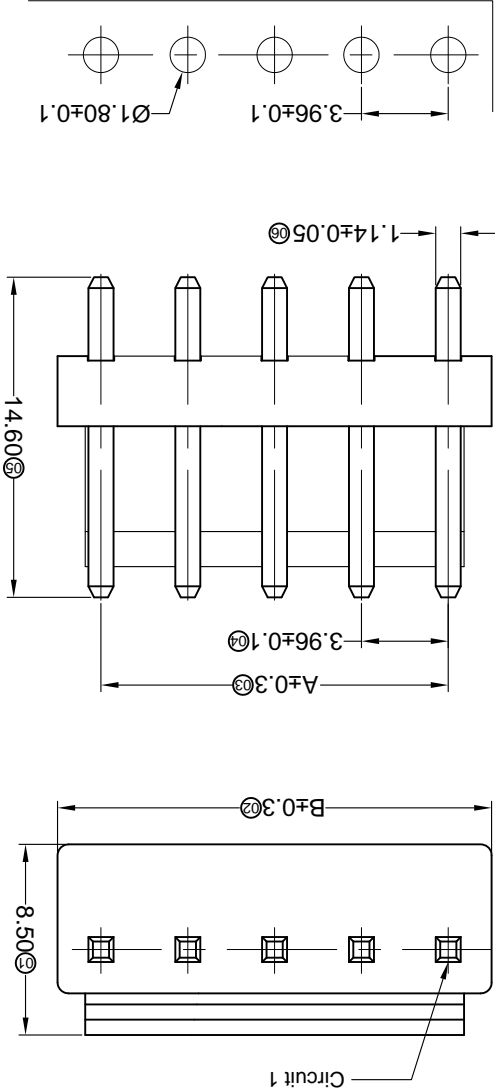
For and on behalf of  
**KXB INDUSTRIAL PRECISION CO., LIMITED**  
 香港星坤工業精密有限公司

REVISIONS  
 Authorized Signature(s)

| MARK | DESCRIPTION | DATE | REVISED | APPROVED | UNSPECIFIED TOLERANCES |
|------|-------------|------|---------|----------|------------------------|
| △ X  |             |      |         |          | L > 63                 |
| △ X  |             |      |         |          | 16 < L ≤ 63            |
| △ X  |             |      |         |          | 4 < L ≤ 16             |
|      |             |      |         |          | L ≤ 4                  |
|      |             |      |         |          | ANGULAR                |
|      |             |      |         |          | ± 5°                   |

| REVISION                                     | SHEET | WEIGHT | DATE       | DATE | DATE | DATE | DATE |
|--|-------|--------|------------|------|------|------|------|
| A0   | 1/1   | 1.0g   |            |      |      |      |      |
| <b>KXB INDUSTRIAL PRECISION CO., LIMITED</b> |       |        | SIZE: A4   |      |      |      |      |
| DWG NO.:                                     |       |        | UNIT: mm   |      |      |      |      |
| 9.6 mm Crimp Style Connectors                |       |        | VIEW:      |      |      |      |      |
| PART NO.:                                    |       |        | SCALE: N/A |      |      |      |      |
| X9396WV-XX-N0SN                              |       |        |            |      |      |      |      |
| MODEL TYPE:                                  |       |        |            |      |      |      |      |

Recommend PCB Layout



| PART NO        | Material          | Material(Pin) | Finish(Pin) | Suitable XKB Terminal |
|----------------|-------------------|---------------|-------------|-----------------------|
| 9396WV-XX-N0SN | Nylon 66 UL 94V-0 | Brass         | Tin-Plated  | X9396H                |

| Poles | Dimensions(mm) |       | Poles | Dimensions(mm) |       |
|-------|----------------|-------|-------|----------------|-------|
|       | A              | B     |       | A              | B     |
| 02    | 3.96           | 7.92  | 09    | 31.68          | 35.64 |
| 03    | 7.92           | 11.88 | 10    | 35.64          | 39.60 |
| 04    | 11.88          | 15.84 | 11    | 39.60          | 43.56 |
| 05    | 15.84          | 19.80 | 12    | 43.56          | 47.52 |
| 06    | 19.80          | 23.76 | 13    | 47.52          | 51.48 |
| 07    | 23.76          | 27.72 | 14    | 51.48          | 55.44 |
| 08    | 27.72          | 31.68 | 15    | 55.44          | 59.40 |

- ① Series No  
 ② Category: W-WAFER  
 ③ Welding Board Angle: V-180°  
 ④ Welding Way: Blank-DIP  
 ⑤ Row No.-Pin No.: XX-02P~15P  
 ⑥ Plug the Pin & Special No.:  
 ⑦ Material: N0-PA66 94V-0  
 ⑧ Plating Category: SN-Bright Tin Plating  
 ⑨ Blank-Spiles: 60mm Total long needle 14.60mm
- X9396 W V X-XX XX-N0 SN-X  
 ① ② ③ ④ ⑤ ⑥ ⑦ ⑧ ⑨
- Specifications:  
 • Voltage rating: 250V AC / DC  
 • Current rating: 7A AC / DC  
 • Withstanding voltage: 1500V AC/minute  
 • Temperature range: -25°C~+85°C  
 • Insulation resistance: ≥1000MΩ  
 • Contact resistance: ≤10mΩ  
 • After environmental testing: ≤20mΩ

## X-ON Electronics

Largest Supplier of Electrical and Electronic Components

*Click to view similar products for [Headers & Wire Housings](#) category:*

*Click to view products by [XKB](#) manufacturer:*

Other Similar products are found below :

[95000-104TRLF](#) [10135584-644402LF](#) [DF62W-EP2022PCA](#) [95000-106TRLF](#) [DF62W-2022SCA](#) [DF62W-EP2022PC](#) [2203348](#) [DF62W-2022SC](#) [1084018](#) [1029039](#) [1084017](#) [802-10-012-10-002000](#) [1112640](#) [1112639](#) [891-007-9SS-BST1T](#) [000-34000](#) [0008550134](#) [0009482033](#) [0009507031](#) [57102-F02-18ULF](#) [57102-S06-03LF](#) [57202-S52-04LF](#) [PCN6-15S-2.5E](#) [0039019024](#) [58102-G61-06LF](#) [582553-1](#) [0009485154](#) [0009508121](#) [0022285053](#) [0050291907](#) [018731A](#) [LY20-4P-DT1-P1E-BR](#) [02.125.8002.8](#) [60101931](#) [60598-1 \(Cut Strip\)](#) [M1625-3R/100](#) [61062-3](#) [61082-181009](#) [CSU011177004](#) [636-1427](#) [638009-1](#) [641938-9](#) [641991-4](#) [644168-1](#) [644827-2](#) [647662-1](#) [65039-019ELF](#) [65692-001LF](#) [65781-018](#) [65781-047](#)