

REVISIONS  
*(Unauthorized Signatures)*

MARK	DESCRIPTION	DATE	REVISED	APPROVED	UNSPECIFIED TOLERANCES
△ X					L > 63 ± 0.5
△ X					16 > L ≤ 63 ± 0.4
△ X					4 < L ≤ 16 ± 0.3
△ X					L ≤ 4 ± 0.2
					ANGULAR ± 5°

For and on behalf of  
**XKB INDUSTRIAL PRECISION CO., LIMITED**  
香港星坤工業精密有限公司

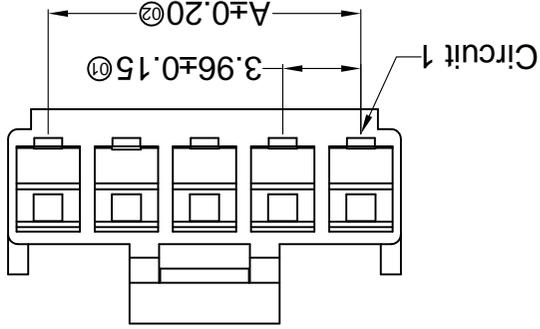
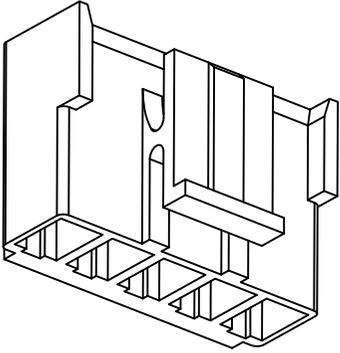
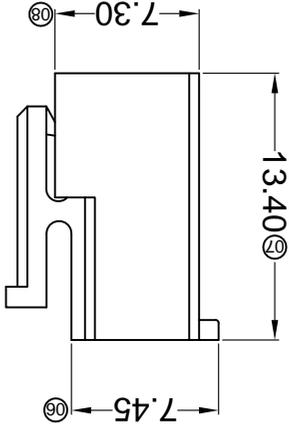
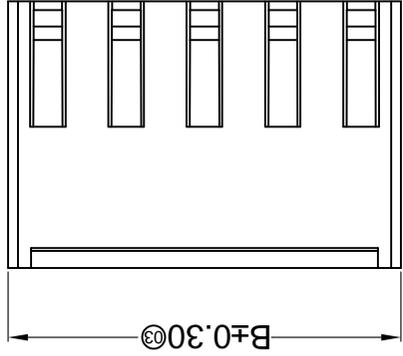
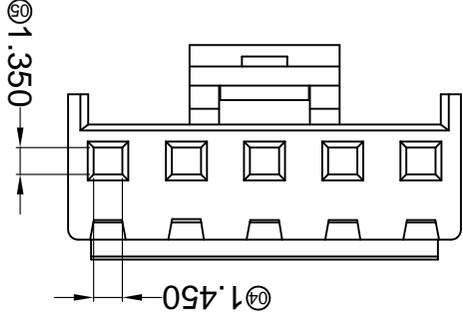
**XKB INDUSTRIAL PRECISION CO., LIMITED**

WEIGHT	1.0g
SHEET	1/1
REVISION	A0
DATE	
SIZE	A4
UNIT	mm
VIEW	VIEW: ⑧
SCALE	N/A
MODEL TYPE	X9396H-XX-N0
PART NO.	
DWG NO.:	3.96mm Crimp Style Connectors

PART NO	Material	Suitable XKB Terminal	Suitable XKB Terminal
X9396H-XX-N0-C	Nylon 66 UL 94V-0	X9396T	Suitable XKB Terminal
X9396H-XX-N0	Nylon 66 UL 94V-0	X9396W	Suitable XKB Terminal

Poles	Dimensions(mm)	
	A	B
02	3.96	8.02
03	7.92	11.98
04	11.88	15.94
05	15.84	19.90
06	19.80	23.86
07	23.76	27.82
08	27.72	31.78

- Specifications :**
- Voltage rating: 250V AC / DC
  - Current rating: 7A AC / DC
  - Withstanding voltage: 1500V AC/minute
  - Temperature range: -25°C~+85°C
  - Insulation resistance: ≥1000MΩ
  - Contact resistance: ≤10mΩ
  - After environmental testing: ≤20mΩ
- X9396 H X - XX X - N0 XX
- ① Series No.    ① ② ③ ④ ⑤ ⑥ ⑦
- ② Category: H-HSG
- ③ Welding Board Angle: Blank-ordinary
- ④ Row No.-Pin No.:XX-Single row ;
- ⑤ Plug the Pin & special No.
- ⑥ Material: N0-PA66 94V-0
- ⑦ C-Resistance to glowing filament



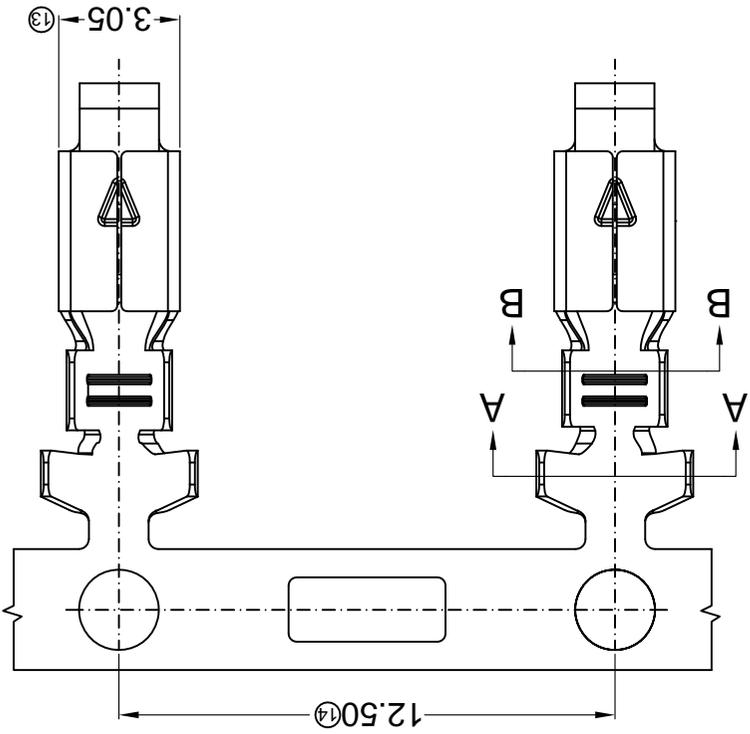
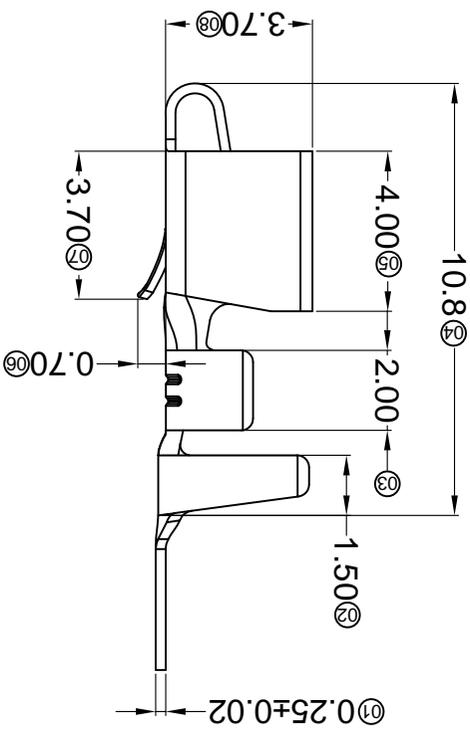
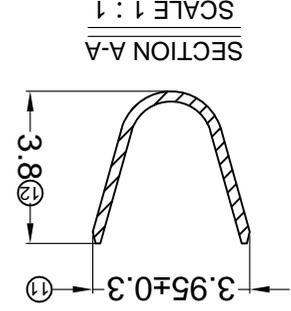
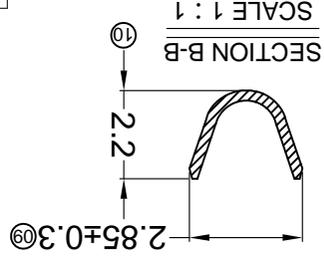
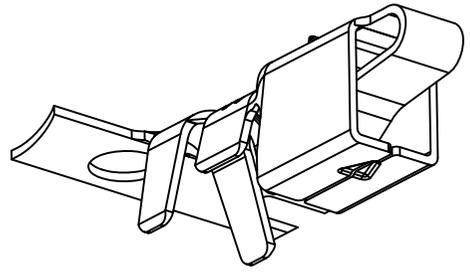
REVISIONS		UNSPECIFIED TOLERANCES		APPROVED		REVISED		DATE		DESCRIPTION		MARK	
XKB INDUSTRIAL PRECISION CO., LIMITED		L > 63		±0.5								△ X	
XKB INDUSTRIAL PRECISION CO., LIMITED		16 < L ≤ 63		±0.4								△ X	
XKB INDUSTRIAL PRECISION CO., LIMITED		4 < L ≤ 16		±0.3								△ X	
XKB INDUSTRIAL PRECISION CO., LIMITED		L ≤ 4		±0.2								△ X	
XKB INDUSTRIAL PRECISION CO., LIMITED		ANGULAR		±5°									

For and on behalf of  
**XKB INDUSTRIAL PRECISION CO., LIMITED**  
 香港星坤工業精密有限公司

DSND	DATE	SCALE: N/A	MODEL TYPE: X9396T-BSN
DWN	DATE	VIEW:	PART NO.:
CHKD	DATE	UNIT: mm	3.96mm Crimp Style Connectors
APPD	DATE	SIZE: A4	DWG NO.:

WEIGHT	1.0g	SHEET	1/1	REVISION	A0
--------	------	-------	-----	----------	----

PART NO	X9396T-BSN	Material	Brass	AWG#	18-22	Insulation O.D.	3.00mm(Max)	Stamping Before Plating	30u" Ni; 70u" Sn	Finish		Suitable XKB Terminal	X9396H
---------	------------	----------	-------	------	-------	-----------------	-------------	-------------------------	------------------	--------	--	-----------------------	--------



- Specifications :
- Voltage rating: 250V AC / DC
  - Current rating: 7A AC / DC
  - Withstanding voltage: 1500V AC/minute
  - Temperature range: -25°C~+85°C
  - Insulation resistance: ≥1000MΩ
  - Contact resistance: ≤10mΩ
  - After environmental testing: ≤20mΩ
- X9396 T X - B SN X - X
- ① Series Number
  - ② Category: T-terminal
  - ③ Shape: Blank-ordinary
  - ④ Material: B-brass
  - ⑤ Plating style: SN-Bright tin plating
  - ⑥ Plating method: Blank-Stamping before plating
  - ⑦ B-Plating before stamping
  - ⑧ Mold No./Mark/Special No.

For and on behalf of  
**KKB INDUSTRIAL PRECISION CO., LIMITED**  
 香港星坤工業精密有限公司

Authorized Signature(s)

MARK	DESCRIPTION	DATE	REVISED	APPROVED	UNSPECIFIED TOLERANCES
△ X					L > 63 ± 0.5
△ X					16 < L ≤ 63 ± 0.4
△ X					4 < L ≤ 16 ± 0.3
△ X					L ≤ 4 ± 0.2
					ANGULAR ± 5°

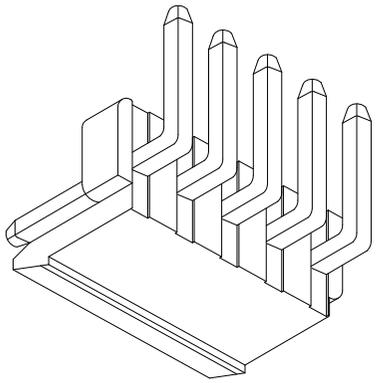
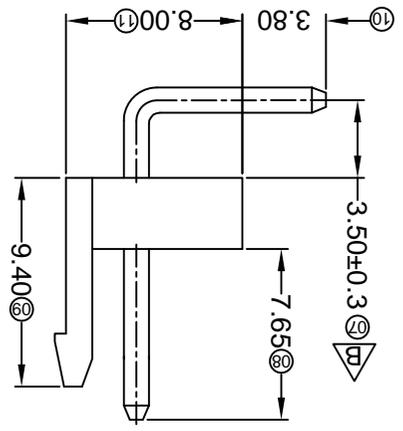
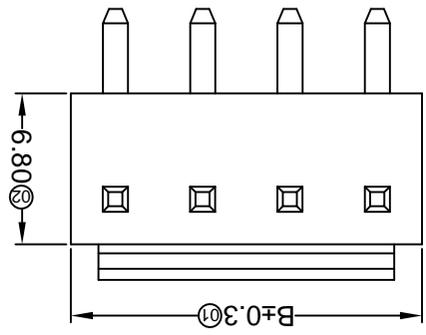
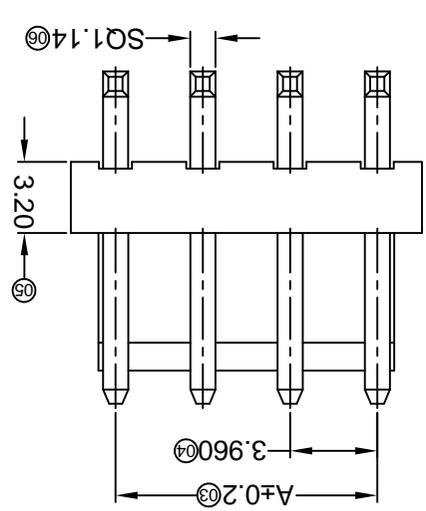
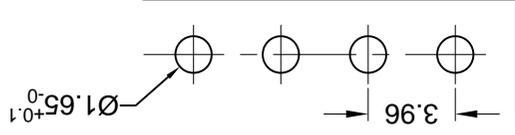
REVISION	SHEET	WEIGHT	SIZE	DATE	DATE	DATE	DATE
A0	1/1	1.0g	A4				

APPD	CHKD	DWN	DSND

UNIT	VIEW	SCALE
mm	VIEW: ④	N/A

PART NO.	MODEL TYPE
3.96mm Crimp Style Connectors	X9396WR-XX-N0SN

Recommended P.C.B Layout  
 General Tolerance±0.05



PART NO	Material	Material(Fin)	Finish(Fin)	Suitable XKB Terminal
X9396WR-XX-N0SN	Nylon 66 UL 94V-0	Brass	Tin-Plated	X9396H

Poles	Dimensions(mm)		Poles	A	B
	A	B			
02	3.96	7.92	08	27.72	31.68
03	7.92	11.88	09	31.68	35.64
04	11.88	15.84	10	35.64	39.60
05	15.84	19.80	11	39.60	43.56
06	19.80	23.76	12	43.56	47.52
07	23.76	27.72			

X9396 W R X - XX X - NO SN XX  
 ① Series No.  
 ② Category: W-water  
 ③ Welding Board Angle:R-90°  
 ④ Welding Way: Blank-DIP  
 ⑤ Row No.-Pin No. XX-Single row  
 ⑥ Plug the Pin & Special NO:  
 ⑦ Material: NO-PA66 94V-0  
 ⑧ Plating Category: SN-Bright tin plating  
 ⑨ Color: Blank-natural color

- Voltage rating: 250V AC / DC
- Current rating: 7A AC / DC
- Withstanding voltage: 1500V AC/minute
- Temperature range: -25°C~+85°C
- Insulation resistance: ≥1000MΩ
- Contact resistance: ≤10mΩ
- After environmental testing: ≤20mΩ

■ Specifications :

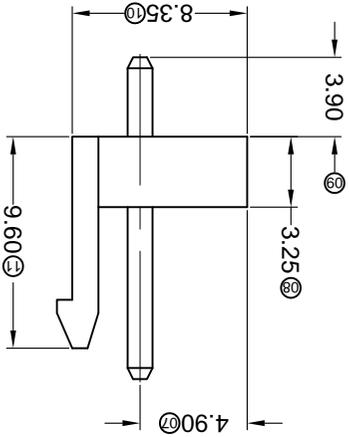
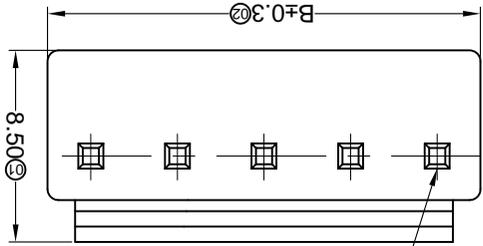
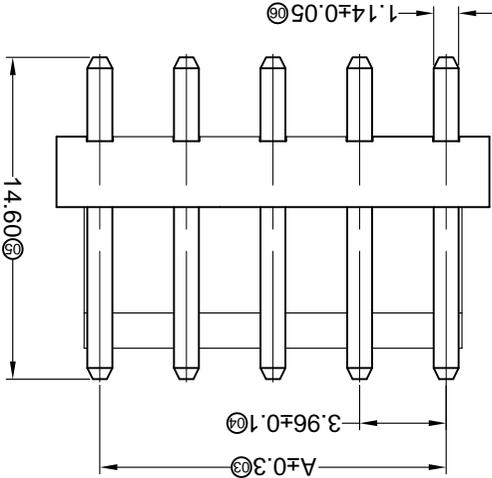
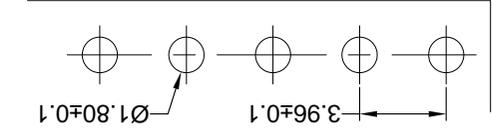
For and on behalf of  
**KRB INDUSTRIAL PRECISION CO., LIMITED**  
 香港星坤工業精密有限公司

REVISIONS  
 Authorized Signature(s)

MARK	DESCRIPTION	DATE	REVISED	APPROVED	UNSPECIFIED TOLERANCES
△ X					L > 63
△ X					16 < L ≤ 63
△ X					4 < L ≤ 16
					L ≤ 4
					ANGULAR
					± 5°

REVISION	SHEET	WEIGHT	DATE	DATE	DATE	DATE	DATE
A0	1/1	1.0g					
XKB INDUSTRIAL PRECISION CO., LIMITED			SIZE: A4				
9.6 mm Crimp Style Connectors			UNIT: mm				
PART NO.: X9396WV-XX-N0SN			VIEW:				
MODEL TYPE: X9396WV-XX-N0SN			SCALE: N/A				

Recommend PCB Layout



PART NO	Material	Material(Pin)	Finish(Pin)	Suitable XKB Terminal
9396WV-XX-N0SN	Nylon 66 UL 94V-0	Brass	Tin-Plated	X9396H

Poles	Dimensions(mm)	
	A	B
02	3.96	7.92
03	7.92	11.88
04	11.88	15.84
05	15.84	19.80
06	19.80	23.76
07	23.76	27.72
08	27.72	31.68

- X9396 W V X-XX XX-N0 SN-X
- ① Series No
  - ② Category: W-WAFER
  - ③ Welding Board Angle: V-180°
  - ④ Welding Way: Blank-DIP
  - ⑤ Row No.-Pin No.: XX-02P~15P
  - ⑥ Plug the Pin & Special No.:
  - ⑦ Material: N0-PA66 94V-0
  - ⑧ Plating Category: SN-Bright Tin Plating
  - ⑨ Blank-Spiles: 60mm Total long needle 14.60mm

- Specifications :
- Voltage rating: 250V AC / DC
  - Current rating: 7A AC / DC
  - Withstanding voltage: 1500V AC/minute
  - Temperature range: -25°C~+85°C
  - Insulation resistance: ≥1000MΩ
  - Contact resistance: ≤10mΩ
  - After environmental testing: ≤20mΩ

## X-ON Electronics

Largest Supplier of Electrical and Electronic Components

*Click to view similar products for [Headers & Wire Housings](#) category:*

*Click to view products by [XKB](#) manufacturer:*

Other Similar products are found below :

[95000-104TRLF](#) [10135584-644402LF](#) [DF62W-EP2022PCA](#) [95000-106TRLF](#) [DF62W-2022SCA](#) [DF62W-EP2022PC](#) [2203348](#) [DF62W-2022SC](#) [1084018](#) [1029039](#) [1084017](#) [802-10-012-10-002000](#) [1112640](#) [1112639](#) [891-007-9SS-BST1T](#) [000-34000](#) [0008550134](#) [0009482033](#) [0009507031](#) [57102-F02-18ULF](#) [57102-S06-03LF](#) [57202-S52-04LF](#) [PCN6-15S-2.5E](#) [0039019024](#) [58102-G61-06LF](#) [582553-1](#) [0009485154](#) [0009508121](#) [0022285053](#) [0050291907](#) [018731A](#) [LY20-4P-DT1-P1E-BR](#) [02.125.8002.8](#) [60101931](#) [60598-1 \(Cut Strip\)](#) [M1625-3R/100](#) [61062-3](#) [61082-181009](#) [CSU011177004](#) [636-1427](#) [638009-1](#) [641938-9](#) [641991-4](#) [644168-1](#) [644827-2](#) [647662-1](#) [65039-019ELF](#) [65692-001LF](#) [65781-018](#) [65781-047](#)