

REVISIONS  
*(Unauthorized Signatures)*

MARK	DESCRIPTION	DATE	REVISED	APPROVED	UNSPECIFIED TOLERANCES
△ X					L > 63 ± 0.5
△ X					16 > L ≤ 63 ± 0.4
△ X					4 < L ≤ 16 ± 0.3
△ X					L ≤ 4 ± 0.2
					ANGULAR ± 5°

For and on behalf of  
**XKB INDUSTRIAL PRECISION CO., LIMITED**  
香港星坤工業精密有限公司

**XKB INDUSTRIAL PRECISION CO., LIMITED**

WEIGHT	1.0g
SHEET	1/1
REVISION	A0
DATE	
DATE	
DATE	
DATE	
SCALE: N/A	
MODEL TYPE: X9396H-XX-N0	
PART NO.:	
3.96mm Crimp Style Connectors	
DWG NO.:	
SIZE: A4	

PART NO	Material	Suitable XKB Terminal	Suitable XKB Terminal
X9396H-XX-N0-C	Nylon 66 UL 94V-0	X9396T	Suitable XKB Terminal
X9396H-XX-N0	Nylon 66 UL 94V-0		Suitable XKB Terminal

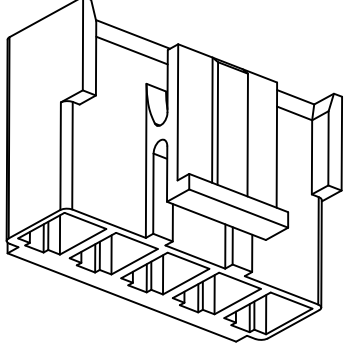
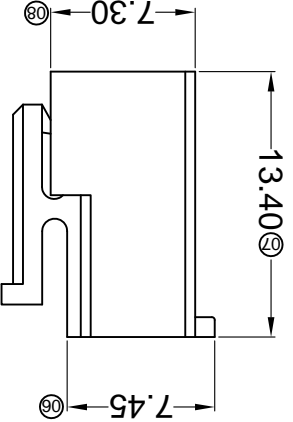
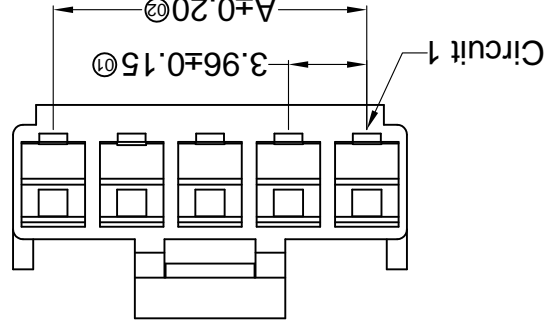
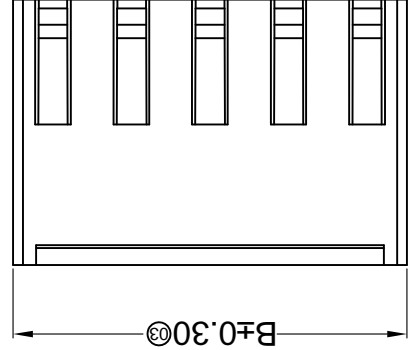
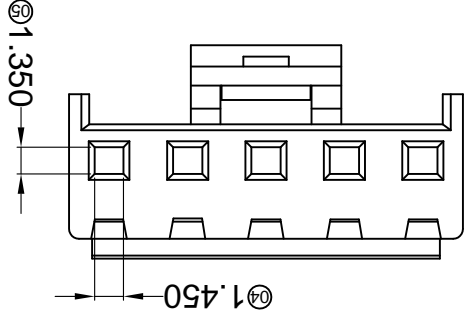
Poles	Dimensions(mm)	
	A	B
02	3.96	8.02
09	31.68	35.74
03	7.92	11.98
10	35.64	39.70
04	11.88	15.94
11	39.60	43.66
05	15.84	19.90
12	43.56	47.62
06	19.80	23.86
13	47.52	51.58
07	23.76	27.82
14	51.48	55.54
08	27.72	31.78
15	55.44	59.50

X9396 H X - XX X - NO XX

Series No. ① ② ③ ④ ⑤ ⑥ ⑦

- ① Category: H-HSG
- ② Welding Board Angle: Blank-ordinary
- ③ Row No.-Pin No.:XX-Single row ;
- ④ Plug the Pin & special No.
- ⑤ Material: NO-PA66 94V-0
- ⑥ C-Resistance to glowing filament

- Specifications :
- Voltage rating: 250V AC / DC
  - Current rating: 7A AC / DC
  - Withstanding voltage: 1500V AC/minute
  - Temperature range: -25°C~+85°C
  - Insulation resistance: ≥1000MΩ
  - Contact resistance: ≤10mΩ
  - After environmental testing: ≤20mΩ

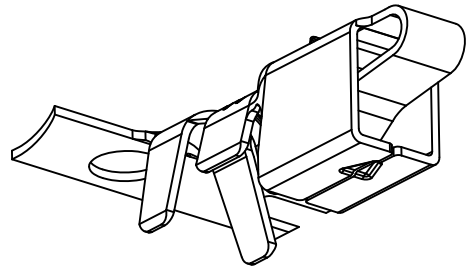
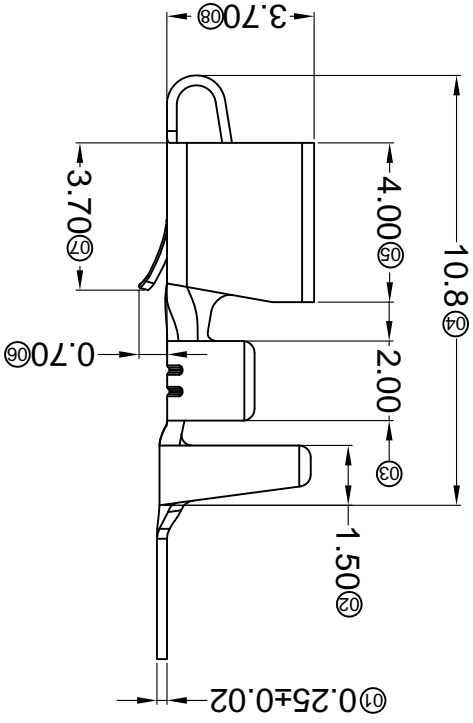
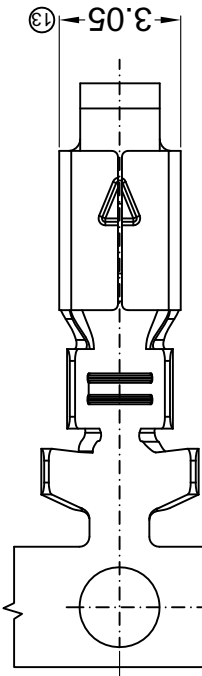
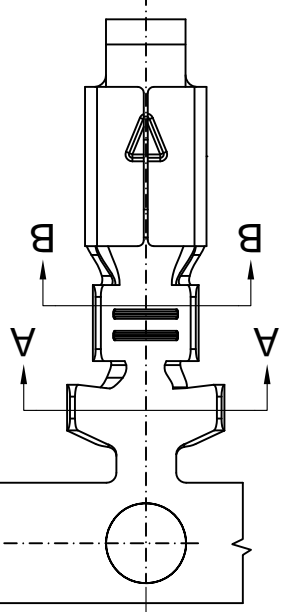
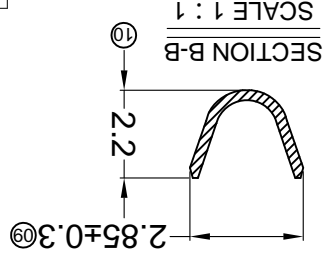
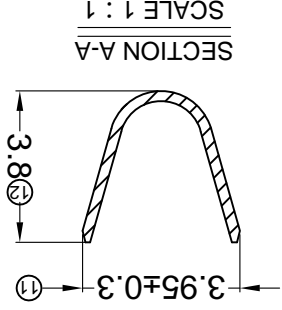


REVISIONS		UNSPECIFIED TOLERANCES		DATE		APPROVED		REVISED		DATE		DESCRIPTION		MARK	
XKB INDUSTRIAL PRECISION CO., LIMITED		L > 63		L > 63		APPROVED		REVISED		DATE		DESCRIPTION		MARK	
XKB INDUSTRIAL PRECISION CO., LIMITED		16 < L ≤ 63		16 < L ≤ 63		APPROVED		REVISED		DATE		DESCRIPTION		MARK	
XKB INDUSTRIAL PRECISION CO., LIMITED		4 < L ≤ 16		4 < L ≤ 16		APPROVED		REVISED		DATE		DESCRIPTION		MARK	
XKB INDUSTRIAL PRECISION CO., LIMITED		L ≤ 4		L ≤ 4		APPROVED		REVISED		DATE		DESCRIPTION		MARK	
XKB INDUSTRIAL PRECISION CO., LIMITED		ANGULAR		ANGULAR		APPROVED		REVISED		DATE		DESCRIPTION		MARK	
XKB INDUSTRIAL PRECISION CO., LIMITED		± 5°		± 5°		APPROVED		REVISED		DATE		DESCRIPTION		MARK	

For and on behalf of  
**XKB INDUSTRIAL PRECISION CO., LIMITED**  
 香港星坤工業精密有限公司

DSND	DATE	SCALE: N/A	MODEL TYPE: X9396T-BSN
DWN	DATE	VIEW:	PART NO.:
CHKD	DATE	UNIT: mm	3.96mm Crimp Style Connectors
APPD	DATE	SIZE: A4	DWG NO.:

PART NO	Material	Wire Range	Insulation O.D.	Finish	Suitable XKB Terminal
X9396T-BSN	Brass	AWG#18-22	3.00mm(Max)	Stamping Before Plating;30u" Ni;70u" Sn	X9396H



- Specifications :
- Voltage rating: 250V AC / DC
  - Current rating: 7A AC / DC
  - Withstanding voltage: 1500V AC/minute
  - Temperature range: -25°C~+85°C
  - Insulation resistance: ≥1000MΩ
  - Contact resistance: ≤10mΩ
  - After environmental testing : ≤20mΩ
- X9396 T X - B SN X - X
- ① Series Number  
 ② Category: T-terminal  
 ③ Shape: Blank-ordinary  
 ④ Material: B-brass  
 ⑤ Plating style: SN-Bright tin plating  
 ⑥ Plating method:  
 Blank-Stamping before plating  
 B-Plating before stamping  
 ⑦ Mold No./Mark/Special No.

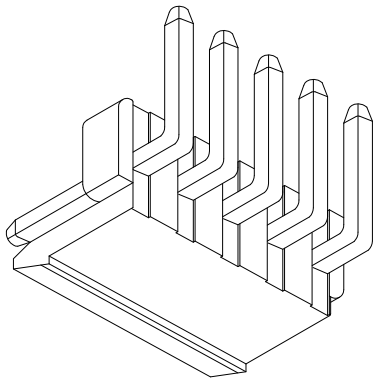
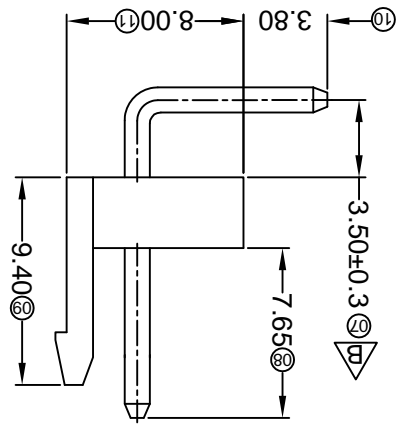
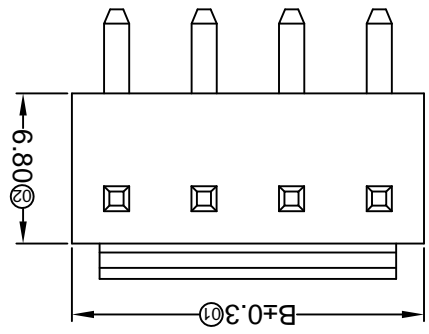
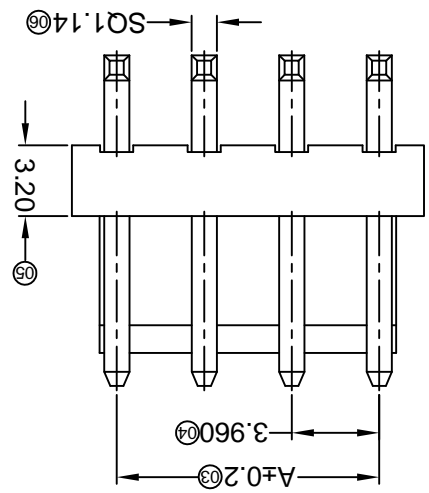
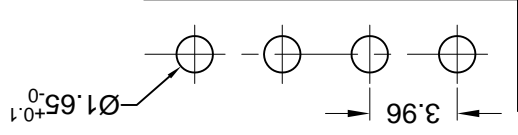
For and on behalf of  
**KKB INDUSTRIAL PRECISION CO., LIMITED**  
 香港星坤工業精密有限公司

MARK	DESCRIPTION	DATE	REVISED	APPROVED	UNSPECIFIED TOLERANCES
△ X					L > 63
△ X					16 < L ≤ 63
△ X					4 < L ≤ 16
					L ≤ 4
					ANGULAR
					± 5°

REVISIONS	DATE	REVISED	APPROVED	UNSPECIFIED TOLERANCES
				L > 63
				16 < L ≤ 63
				4 < L ≤ 16
				L ≤ 4
				ANGULAR
				± 5°

MODEL TYPE:	X9396WR-XX-N0SN
SCALE:	N/A
DATE:	
DWNSD:	
VIEW:	VIEW: ④
UNIT:	mm
DATE:	
CHKD:	
APPD:	
DATE:	
SIZE:	A4
WEIGHT:	1.0g
SHEET:	1/1
REVISION:	A0

Recommended P.C.B Layout  
 General Tolerance±0.05



PART NO	Material	Material(Pin)	Finish(Pin)	Suitable XKB Terminal
X9396WR-XX-N0SN	Nylon 66 UL 94V-0	Brass	Tin-Plated	X9396H

Poles	Dimensions(mm)		Poles	Dimensions(mm)	
	A	B		A	B
02	3.96	7.92	08	27.72	31.68
03	7.92	11.88	09	31.68	35.64
04	11.88	15.84	10	35.64	39.60
05	15.84	19.80	11	39.60	43.56
06	19.80	23.76	12	43.56	47.52
07	23.76	27.72			

- ① Series No.
- ② Category: W-water
- ③ Welding Board Angle:R-90°
- ④ Welding Way: Blank-DIP
- ⑤ Row No.-Pin No. XX-Single row
- ⑥ Plug the Pin & Special NO:
- ⑦ Material: NO-PA66 94V-0
- ⑧ Plating Category: SN-Bright tin plating
- ⑨ Color: Blank-natural color

X9396 W R X - XX X - NO SN XX  
 ① ② ③ ④ ⑤ ⑥ ⑦ ⑧ ⑨

- Specifications :
- Voltage rating: 250V AC / DC
  - Current rating: 7A AC / DC
  - Withstanding voltage: 1500V AC/minute
  - Temperature range: -25°C~+85°C
  - Insulation resistance: ≥1000MΩ
  - Contact resistance: ≤10mΩ
  - After environmental testing: ≤20mΩ

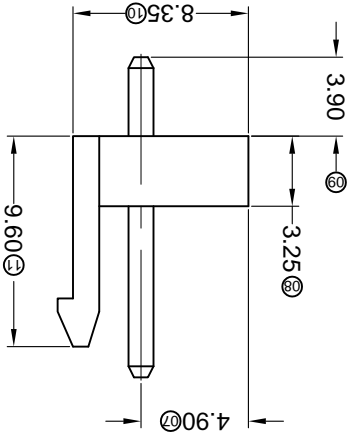
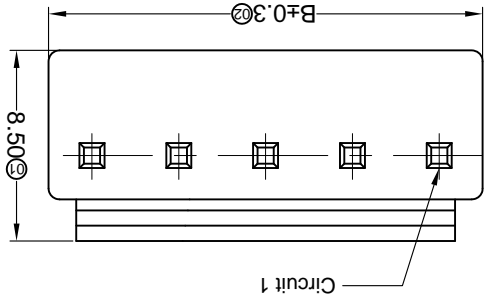
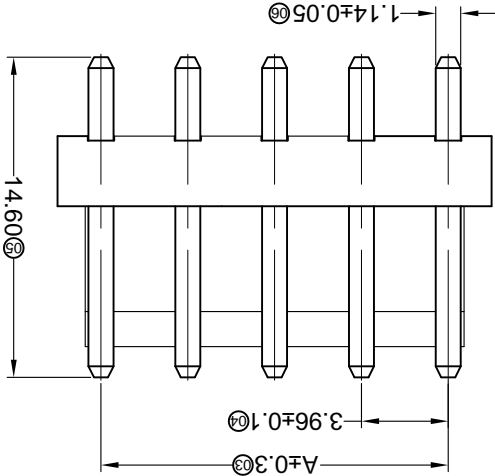
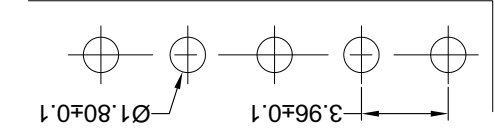
For and on behalf of  
**KXB INDUSTRIAL PRECISION CO., LIMITED**  
 香港星坤工業精密有限公司

REVISIONS  
 Authorized Signature(s)

MARK	DESCRIPTION	DATE	REVISED	APPROVED	UNSPECIFIED TOLERANCES
△ X					L > 63
△ X					16 < L ≤ 63
△ X					4 < L ≤ 16
					L ≤ 4
					ANGULAR
					± 5°

REVISION	SHEET	WEIGHT	SIZE	DATE	APPD	DATE	DATE	DATE	SCALE	MODEL TYPE	PART NO.	VIEW	UNIT	DATE	CHKD	DATE	DATE	DATE	SCALE	MODEL TYPE	
A0	1/1	1.0g	A4						N/A	X9396WV-XX-N0SN	⊕	mm									X9396WV-XX-N0SN

Recommend PCB Layout



PART NO	Material	Material(Pin)	Finish(Pin)	Suitable XKB Terminal
9396WV-XX-N0SN	Nylon 66 UL 94V-0	Brass	Tin-Plated	X9396H

Poles	Dimensions(mm)		Poles	Dimensions(mm)	
	A	B		A	B
02	3.96	7.92	09	31.68	35.64
03	7.92	11.88	10	35.64	39.60
04	11.88	15.84	11	39.60	43.56
05	15.84	19.80	12	43.56	47.52
06	19.80	23.76	13	47.52	51.48
07	23.76	27.72	14	51.48	55.44
08	27.72	31.68	15	55.44	59.40

- ① Series No  
 ② Category: W-WAFER  
 ③ Welding Board Angle: V-180°  
 ④ Welding Way: Blank-DIP  
 ⑤ Row No.-Pin No.: XX-02P~15P  
 ⑥ Plug the Pin & Special No.:  
 ⑦ Material: N0-PA66 94V-0  
 ⑧ Plating Category: SN-Bright Tin Plating  
 ⑨ Blank-Spiles: 60mm Total long needle 14.60mm
- X9396 W V X-XX XX-N0 SN-X  
 ① ② ③ ④ ⑤ ⑥ ⑦ ⑧ ⑨

- Specifications :
- Voltage rating: 250V AC / DC
  - Current rating: 7A AC / DC
  - Withstanding voltage: 1500V AC/minute
  - Temperature range: -25°C~+85°C
  - Insulation resistance: ≥1000MΩ
  - Contact resistance: ≤10mΩ
  - After environmental testing: ≤20mΩ

## X-ON Electronics

Largest Supplier of Electrical and Electronic Components

*Click to view similar products for [Headers & Wire Housings](#) category:*

*Click to view products by [XKB](#) manufacturer:*

Other Similar products are found below :

[95000-104TRLF](#) [10135584-644402LF](#) [DF62W-EP2022PCA](#) [95000-106TRLF](#) [DF62W-2022SCA](#) [DF62W-EP2022PC](#) [2203348](#) [DF62W-2022SC](#) [1084018](#) [1029039](#) [1084017](#) [802-10-012-10-002000](#) [1112640](#) [1112639](#) [891-007-9SS-BST1T](#) [000-34000](#) [0008550134](#) [0009482033](#) [0009507031](#) [57102-F02-18ULF](#) [57102-S06-03LF](#) [57202-S52-04LF](#) [PCN6-15S-2.5E](#) [0039019024](#) [58102-G61-06LF](#) [582553-1](#) [0009485154](#) [0009508121](#) [0022285053](#) [0050291907](#) [018731A](#) [LY20-4P-DT1-P1E-BR](#) [02.125.8002.8](#) [60101931](#) [60598-1 \(Cut Strip\)](#) [M1625-3R/100](#) [61062-3](#) [61082-181009](#) [CSU011177004](#) [636-1427](#) [638009-1](#) [641938-9](#) [641991-4](#) [644168-1](#) [644827-2](#) [647662-1](#) [65039-019ELF](#) [65692-001LF](#) [65781-018](#) [65781-047](#)