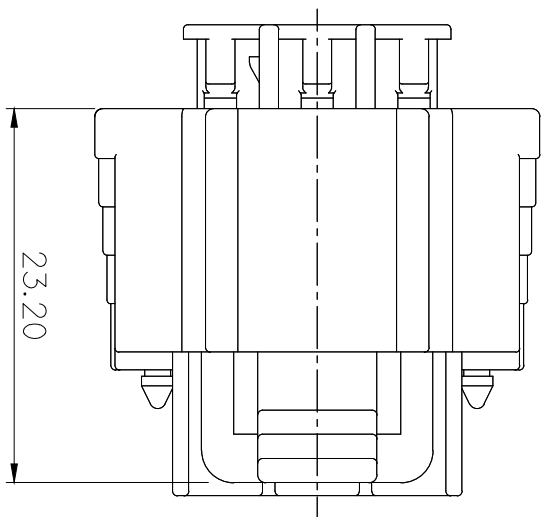
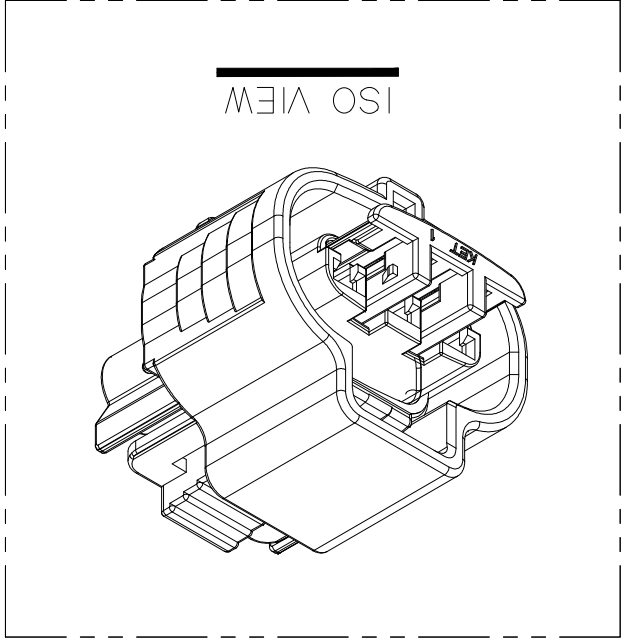
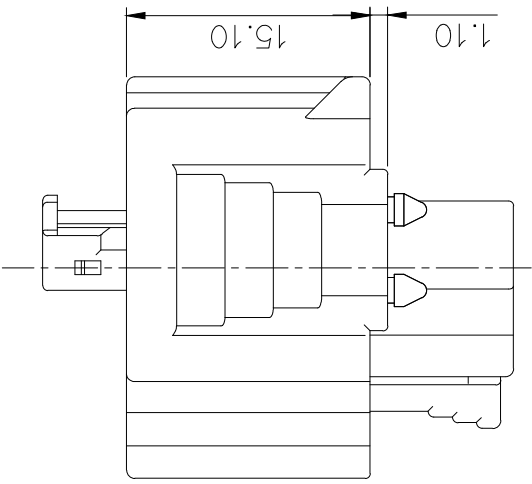
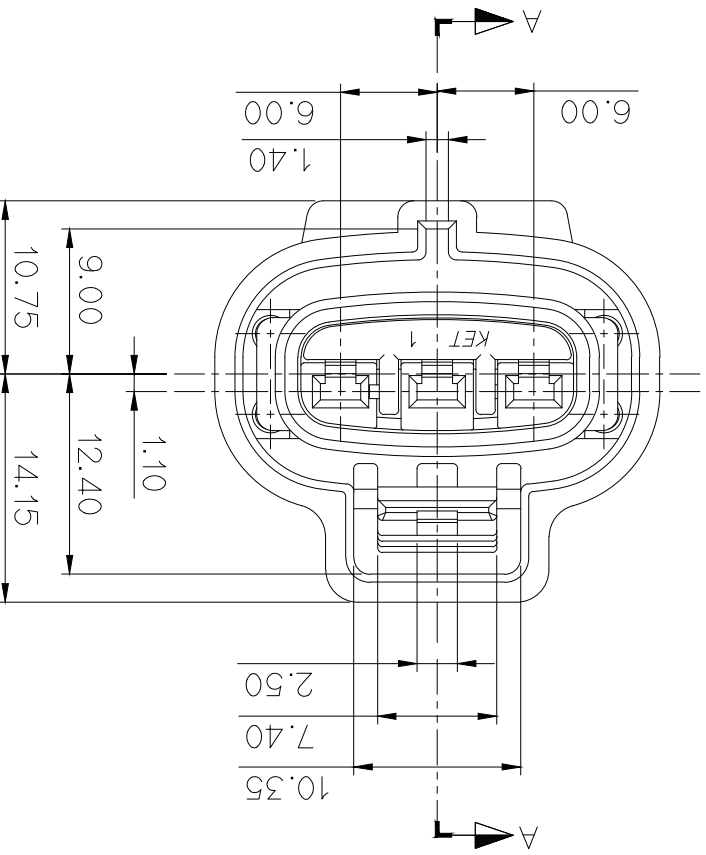
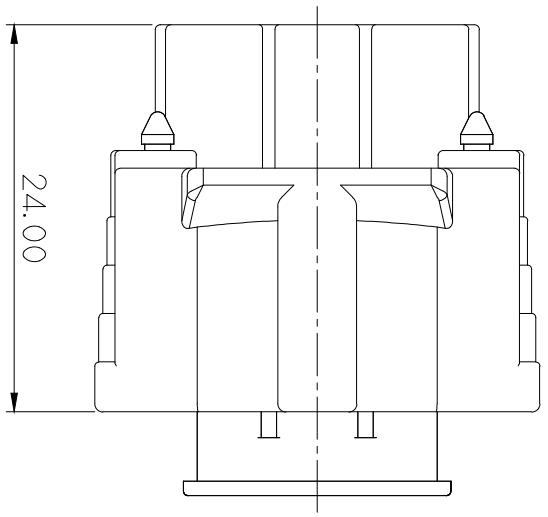


NO.	PART NO.	PART NAME	MATERIAL	FINISH
①	MG674451	090 II WP 3F HOUSING(PRESS-SENSOR)	PBT	BLACK
②	MG674452	090 II WP 3F F/HOLDER(PRESS-SENSOR)	PBT	NATURAL
③	R600082	090 II WP 3F INNER SEAL(ISCA)	SILICONE	RED



LTR	REVISION RECORD	DR.	CHK.	APP.	CHK.
		KMH	2009.08.19		

MATERIAL	FINISH	WIRE RANGE	INSULATION	TYPE
SEE TABLE	SEE TABLE	090 II WP		

PART NAME	SCALE	PART NO.
090II WP 3F ASSY (PRESS-SENSOR)	2/1	MG644453

1. MUST BE FREE OF BURR, WELDLINE AND IMPERFECTION THAT AFFECT FUNCTION.

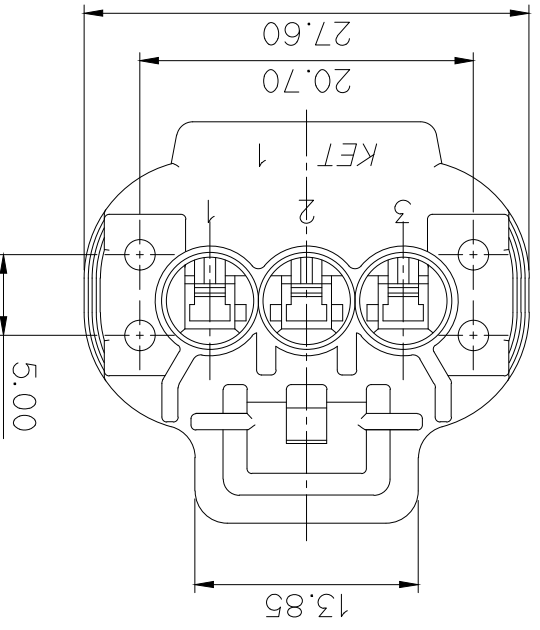
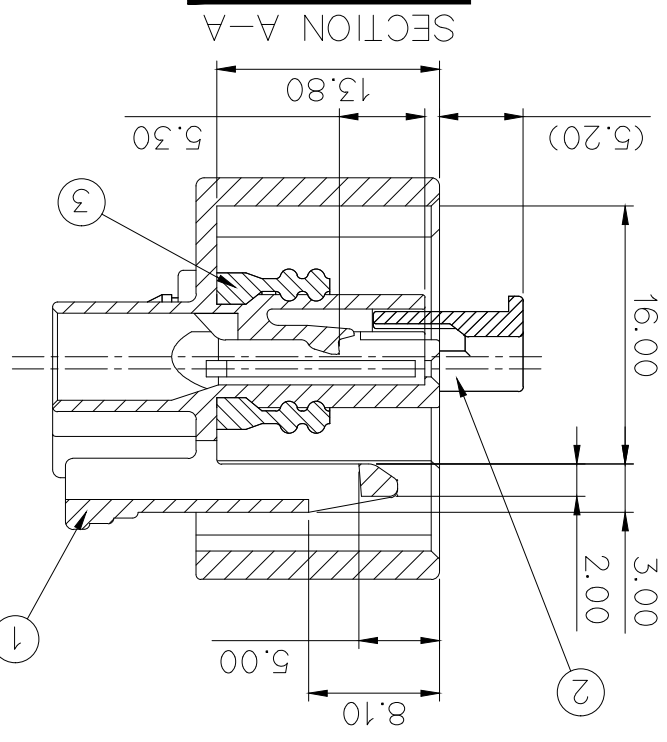
2. FRONT HOLDER IS SUPPORT WITH THE 1st LOCK CONDITION.

3. APPLICABLE TERMINAL : ST730623-3, 624-3, 625-3

4. APPLICABLE WIRE SEAL : MG681114, 1115, 1116

5. 6 HAZARDOUS SUBSTANCES IN PARTS (LEAD, MERCURY, CADMIUM, HEXAVALENT CHROMIUM, PBBs, PBDEs) SHALL NOT EXCEED THE MAXIMUM PERMISSIBLE CONCENTRATION PRESCRIBED UNDER EU ELV DIRECTIVE.

NOTE



주 기

1. 기능상 유해한 BURR 및 WELDLINE등이 없을것.

2. F/HOLDER는 1차 LOCK 상태로 유지, 공급할 것.

3. 적용 TERMINAL : ST730623-3, 624-3, 625-3

4. 적용 WIRE SEAL : MG681114, 1115, 1116

5. 제품내 함유된 6대 유해물질 (납, 수은, 카드뮴, 6가 크롬, PBBs, PBDEs)은 EU ELV 지침 및 RoHS 법규에서 지정된 최대 허용 농도를 초과해서는 안된다.

GENERAL TOLERANCE (HOUSING)	±0.2	±0.3	±0.55	±0.95	±1.4	±30'	0.1
10MAX	50MAX	100MAX	250MAX	250VR	ANGLE	ECCENT	

APPROVED

2016-03-11

KOREA ELECTRIC
TERMINAL CO., LTD.
Product Developme
nt Team 1

ISSUE MARK

KTEL ENGINEERED KOREA ELECTRIC TERMINAL CO., LTD.

X-ON Electronics

Largest Supplier of Electrical and Electronic Components

Click to view similar products for [Headers & Wire Housings](#) category:

Click to view products by [KET](#) manufacturer:

Other Similar products are found below :

[95000-104TRLF](#) [10135584-644402LF](#) [DF62W-EP2022PCA](#) [95000-106TRLF](#) [DF62W-2022SCA](#) [DF62W-EP2022PC](#) [2203348](#) [DF62W-2022SC](#) [1084018](#) [1029039](#) [1084017](#) [802-10-012-10-002000](#) [1112640](#) [1112639](#) [891-007-9SS-BST1T](#) [000-34000](#) [0008550134](#) [0009482033](#) [0009507031](#) [57102-F02-18ULF](#) [57102-S06-03LF](#) [57202-S52-04LF](#) [PCN6-15S-2.5E](#) [0039019024](#) [58102-G61-06LF](#) [582553-1](#) [0009485154](#) [0009508121](#) [0022285053](#) [0050291907](#) [018731A](#) [LY20-4P-DT1-P1E-BR](#) [02.125.8002.8](#) [60101931](#) [60598-1 \(Cut Strip\)](#) [M1625-3R/100](#) [61062-3](#) [61082-181009](#) [CSU011177004](#) [636-1427](#) [638009-1](#) [641938-9](#) [641991-4](#) [644168-1](#) [644827-2](#) [647662-1](#) [65039-019ELF](#) [65692-001LF](#) [65781-018](#) [65781-047](#)