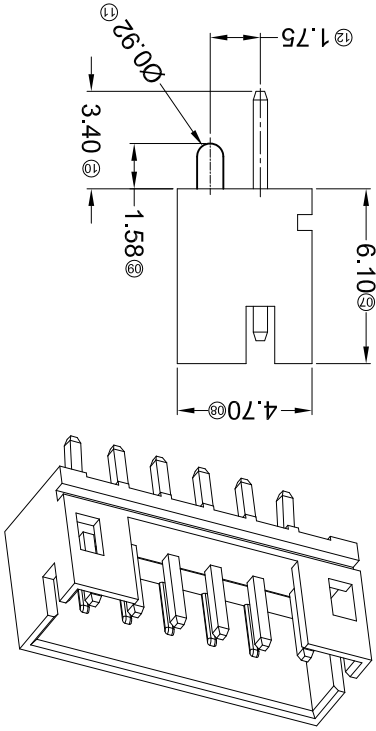
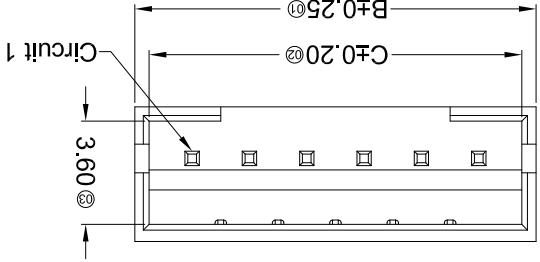
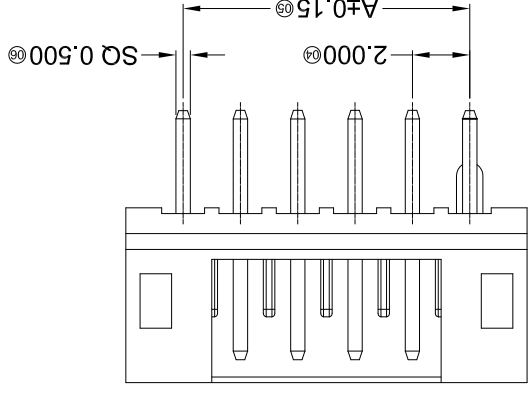
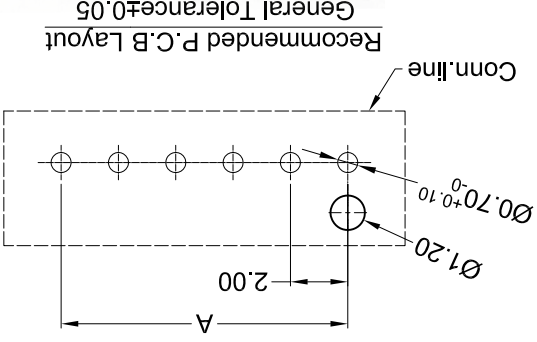


For and on behalf of  
**KXB INDUSTRIAL PRECISION CO., LIMITED**  
 香港星坤工業精密有限公司

MARK	DESCRIPTION	REVISIONS			UNSPECIFIED TOLERANCES		
		DATE	REVISED	APPROVED	APPROVED	DATE	UNSPECIFIED TOLERANCES
△X							L > 63 ±0.5
△X							16 > L ≤ 63 ±0.4
△X							4 < L ≤ 16 ±0.3
							L ≤ 4 ±0.2
							ANGULAR ±5°

REVISION	SHEET	WEIGHT	KXB INDUSTRIAL PRECISION CO., LIMITED			
A0	1/1	1.0g				
			DATE	DATE	DATE	DATE
			SCALE: N/A	VIEW:	UNIT: mm	SIZE: A4
			MODEL TYPE: X2016WV-XXS-LPSN	PART NO.:	DWG NO.:	



PART NO	Material	Material(Pin)	Finish(Pin)	Suitable XKB Terminal
X2016WV-XXS-LPSN	LCP UL 94V-0	Brass	Tin-Plated	X2016H

Poles	Dimensions (mm)			Poles	Dimensions (mm)		
	A	B	C		A	B	C
02	2.00	6.00	5.00	09	16.00	20.00	19.00
03	4.00	8.00	7.00	10	18.00	22.00	21.00
04	6.00	10.00	9.00	11	20.00	24.00	23.00
05	8.00	12.00	11.00	12	22.00	26.00	25.00
06	10.00	14.00	13.00	13	24.00	28.00	27.00
07	12.00	16.00	15.00	14	26.00	30.00	29.00
08	14.00	18.00	17.00	15	28.00	32.00	31.00

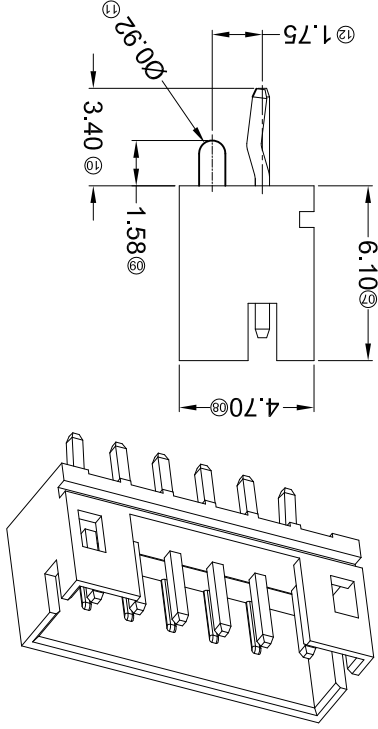
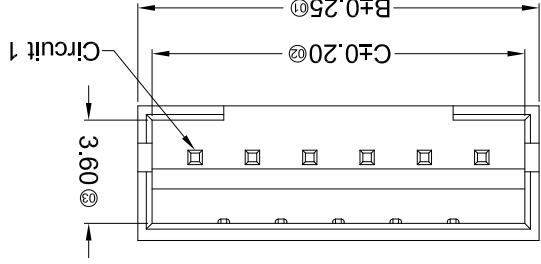
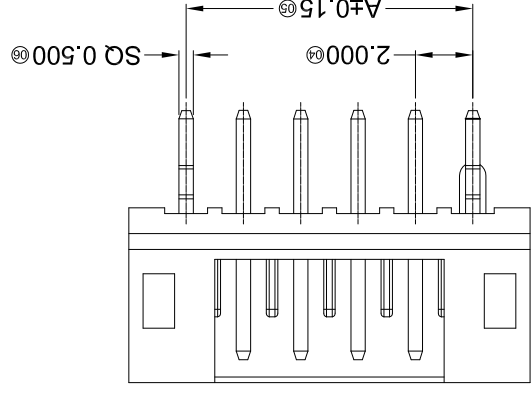
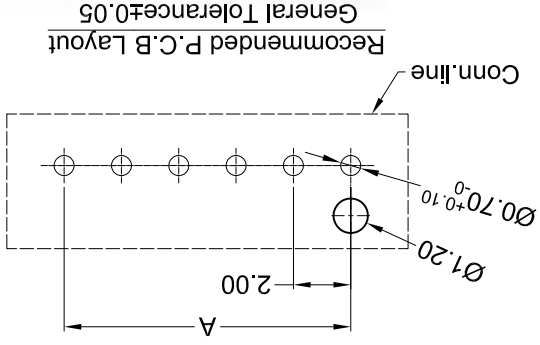
- ① Series No. X2016 W V X-XX S-LP SN XX  
 ② Category: W-WAFER  
 ③ Welding Board Angle: V-Straight 180°  
 ④ Welding Way: Blank-DIP  
 ⑤ Row No.-Pin No.: XX-02P~20P  
 ⑥ Plug the Pin & Special No.: Blank-Without Kink,S-With Post;  
 ⑦ Material: LP-LCP 94V-0;  
 ⑧ Plating Category: SN-Bright Tin Plating  
 ⑨ Color: Blank-Natural Color;

- Specifications:  
 • Voltage rating: 100V AC / DC  
 • Current rating: 2A AC / DC  
 • Withstanding voltage: 800V AC/minute  
 • Temperature range: -25°C~+85°C  
 • Insulation resistance: ≥1000MΩ  
 • Contact resistance: ≤10mΩ  
 • After environmental testing: ≤20mΩ

For and on behalf of  
**XKB INDUSTRIAL PRECISION CO., LIMITED**  
 香港星坤工業精密有限公司

MARK	DESCRIPTION	REVISIONS			UNSPECIFIED TOLERANCES
		DATE	REVISED	APPROVED	
△X					L > 63
△X					16 > L ≤ 63
△X					4 < L ≤ 16
△X					L ≤ 4
					ANGULAR
					±5°

REVISIONS		WEIGHT		SHEET		REVISION	
		1.0g		1/1		A0	
XKB INDUSTRIAL PRECISION CO., LIMITED							
DNSD	DATE	SCALE: N/A	MODEL TYPE:	2016WV-XXKS-4TSN			
DWN	DATE	VIEW:	PART NO.:				
CHKD	DATE	UNIT: mm	DWG NO.:				
APPD	DATE	SIZE: A4					



PART NO	Material	Material(Pin)	Finish(Pin)	Suitable XKB Terminal
X2016WV-XXKS-4TSN	LCP UL 94V-0	Brass	Tin-Plated	X2016H

Poles	Dimensions (mm)			Poles	Dimensions (mm)		
	A	B	C		A	B	C
02	2.00	6.00	5.00	09	16.00	20.00	19.00
03	4.00	8.00	7.00	10	18.00	22.00	21.00
04	6.00	10.00	9.00	11	20.00	24.00	23.00
05	8.00	12.00	11.00	12	22.00	26.00	25.00
06	10.00	14.00	13.00	13	24.00	28.00	27.00
07	12.00	16.00	15.00	14	26.00	30.00	29.00
08	14.00	18.00	17.00	15	28.00	32.00	31.00

- ① Series No. X2016 W V X-XX KS-4T SN XX
- ② Category: W-WAFER
- ③ Welding Board Angle: V-Straight 180°
- ④ Welding Way: Blank-DIP
- ⑤ Row No.-Pin No.: XX-02P~20P
- ⑥ Plug the Pin & Special No.: K-With kink,S-With Post;
- ⑦ Material: 4T-PA4T 94V-0;
- ⑧ Plating Category: SN-Bright Tin Plating
- ⑨ Color: Blank-Natural Color;

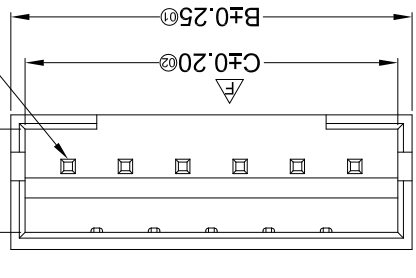
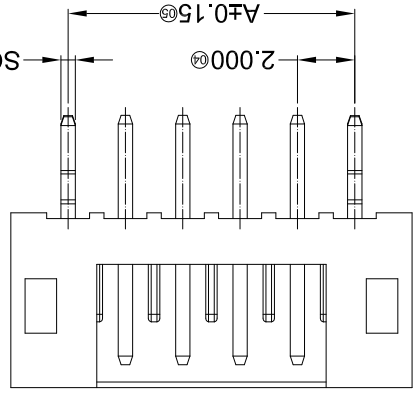
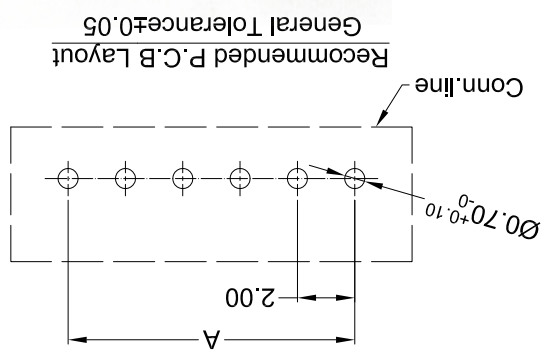
- Specifications :
- Voltage rating: 100V AC / DC
  - Current rating: 2A AC / DC
  - Withstanding voltage: 800V AC/minute
  - Temperature range: -25°C~+85°C
  - Insulation resistance: ≥1000MΩ
  - Contact resistance: ≤10mΩ
  - After environmental testing: ≤20mΩ

For and on behalf of  
**XKB INDUSTRIAL PRECISION CO., LIMITED**  
 香港星坤工業精密有限公司

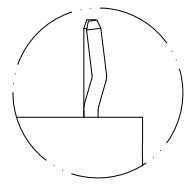
MARK	DESCRIPTION	DATE	REVISED	APPROVED	UNSPECIFIED TOLERANCES
△X					L > 63
△X					16 > L ≤ 63
△X					4 < L ≤ 16
					L ≤ 4
					ANGULAR
					±5°

REVISIONS	SIGNATURE(S)	
DATE	APPROVED	REVISED

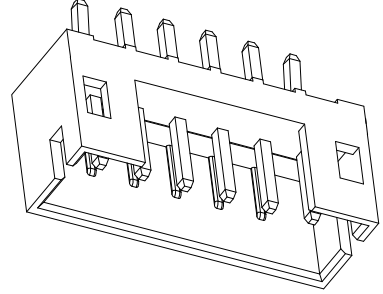
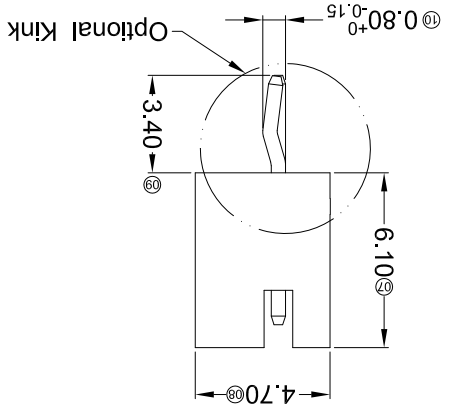
WEIGHT	1.0g
SHEET	1/1
REVISION	A0



Reverse Kink(K1)



Kink(K)



PART NO	Material	Material(Pin)	Finish(Pin)	Suitable XKB Terminal
X2016WV-XXKX-N0V01	Nylon 66 UL 94V-0	Brass	Tin-Plated	X2016H
X2016WV-XXKX-46SNGV	Nylon 46 UL 94V-0 Gray		Tin-Plated	

Poles	Dimensions (mm)			Poles	Dimensions (mm)		
	A	B	C		A	B	C
02	2.00	6.00	4.80	09	16.00	20.00	18.80
03	4.00	8.00	6.80	10	18.00	22.00	20.80
04	6.00	12.00	8.80	11	22.00	24.00	22.80
05	8.00	14.00	10.80	12	24.00	26.00	24.80
06	10.00	16.00	12.80	13	26.00	28.00	26.80
07	12.00	18.00	14.80	14	28.00	30.00	28.80
08	14.00	20.00	16.80	15	30.00	32.00	30.80

- ① Series No. X2016 W V X-XX KX -N0 SN XX
- ② Category: W-WAFER
- ③ Welding Board Angle: V-Straight 180°
- ④ Welding Way: Blank-DIP
- ⑤ Row No.-Pin No.: XX-02P~20P
- ⑥ Plug the Pin & Special No.: K-Kink ; K1-Reverse Kink ;
- ⑦ Material: 46 -PA46 94V-0 ; N0-PA66 94V-0
- ⑧ Plating Category: SN-Bright Tin Plating ; V01-Gold Flash
- ⑨ Color : Blank-Natural Color ; GY-Gray

- Specifications :
- Voltage rating: 100V AC / DC
  - Current rating: 2A AC / DC
  - Withstanding voltage: 800V AC/minute
  - Temperature range: -25°C~+85°C
  - Insulation resistance: ≥1000MΩ
  - Contact resistance: ≤10mΩ
  - After environmental testing: ≤20mΩ

F

E

D

C

B

A

8

7

6

5

4

3

2

1

8

7

6

5

4

3

2

1

For and on behalf of  
**XKB INDUSTRIAL PRECISION CO., LIMITED**  
 香港星坤工業精密有限公司

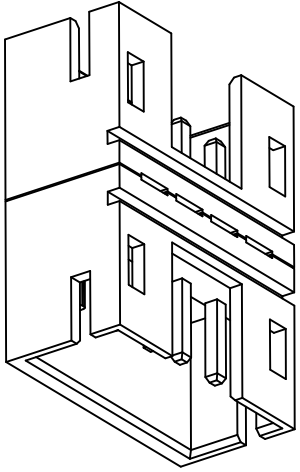
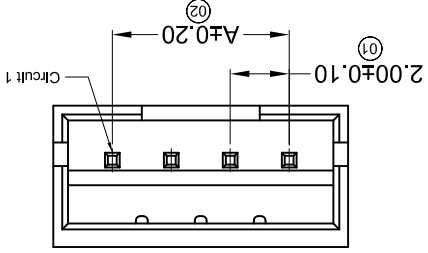
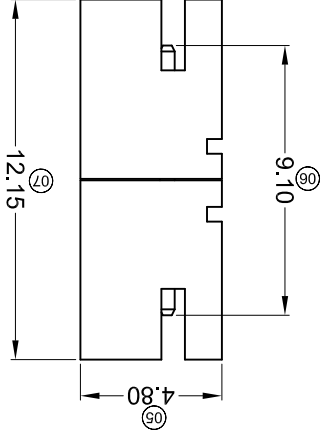
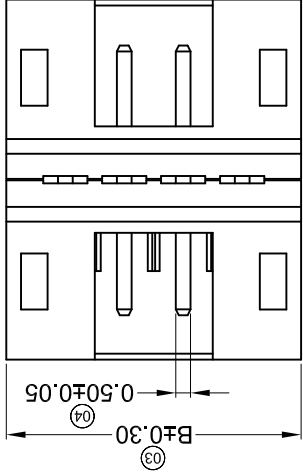
MARK	DESCRIPTION	REVISIONS			UNSPECIFIED TOLERANCES	
		DATE	REVISED	APPROVED	L > 63	± 0.5
△ X					16 < L ≤ 63	± 0.4
△ X					4 < L ≤ 16	± 0.3
△ X					L ≤ 4	± 0.2
					ANGULAR	± 5°

REVISION		WEIGHT	XKB INDUSTRIAL PRECISION CO., LIMITED	
NO.	DESCRIPTION	1.0g	SIZE: A4	DATE
A0		1/1		

DNSD	DATE	SCALE: N/A	MODEL TYPE: 2016WV-XXH2-N0SN
DWN	DATE <td>VIEW: </td> <td>PART NO.: 2.00 mm Crimp Style Connector</td>	VIEW:	PART NO.: 2.00 mm Crimp Style Connector
CHKD	DATE <td>UNIT: mm</td> <td>DWG NO.:</td>	UNIT: mm	DWG NO.:
APPD	DATE <td></td> <td></td>		

PART NO	Material	Material(Pin)	Finish(Pin)	Suitable XKB Terminal	Qty/Bag
X2016WV-XXH2-N0SN	Nylon 66 UL 94V-0	Brass	Tin-Plated	X2016H	1,000Pcs



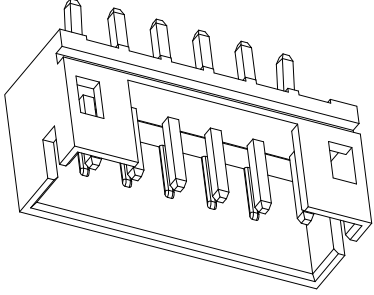
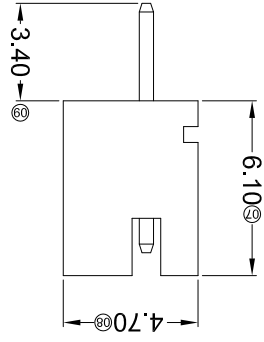
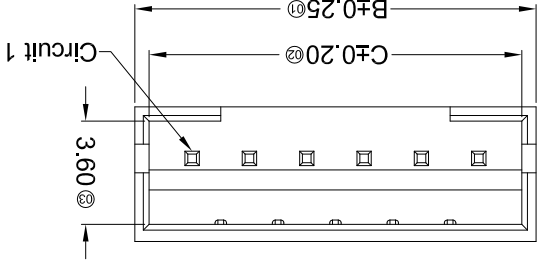
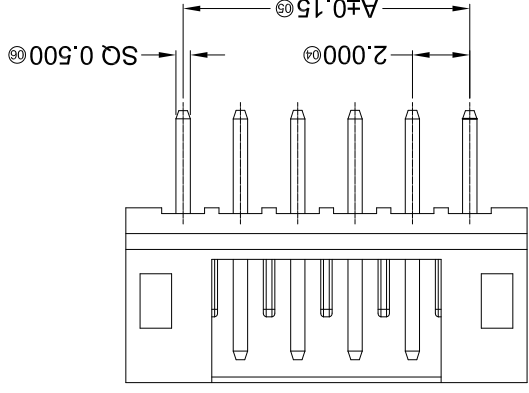
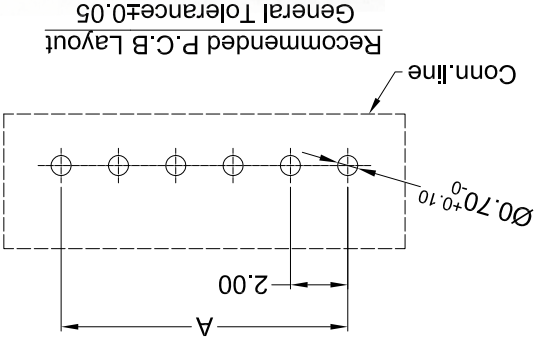
X2016 W V X-XX H2-N0 SN XX

① Series No.	② Category: W-WAFER	③ Welding Board Angle: V-180°; R-90°	④ Welding Way: Blank-DIP; S-SMT	⑤ Row No.-Pin No.: XX-Single Row; 2*XX-Double Row	⑥ Plug the Pin & Special No.: H2-Double sided insert	⑦ Material: N0-PA66 94V-0; 6T-PA6T 94V-0; 46-PA46	⑧ Plating Category: G**-Gold Plated Contact	V**- All Gold-Plated	01-Gold Flash 02-2u" 03-3u"	05-5u" 10-10u" 15-15u"	SN-Bright Tin Plating (70-120u")	SN1-Bright Tin Plating (120u" Min).	0-No Plating Material	SW- Fog Tin Plating	HS-Hight temperature Tin	⑨ Color: Blank-Natural Color	
02	2.00	6.00	03	4.00	8.00	02	2.00	6.00	03	4.00	8.00	02	2.00	6.00	03	4.00	8.00
03	4.00	8.00	04	6.00	10.00	04	6.00	10.00	04	6.00	10.00	04	6.00	10.00	04	6.00	10.00
04	6.00	10.00	05	8.00	12.00	05	8.00	12.00	05	8.00	12.00	05	8.00	12.00	05	8.00	12.00
05	8.00	12.00	06	10.00	14.00	06	10.00	14.00	06	10.00	14.00	06	10.00	14.00	06	10.00	14.00
06	10.00	14.00	07	12.00	16.00	07	12.00	16.00	07	12.00	16.00	07	12.00	16.00	07	12.00	16.00
07	12.00	16.00	08	14.00	18.00	08	14.00	18.00	08	14.00	18.00	08	14.00	18.00	08	14.00	18.00
08	14.00	18.00	09	16.00	20.00	09	16.00	20.00	09	16.00	20.00	09	16.00	20.00	09	16.00	20.00
09	16.00	20.00	10	18.00	22.00	10	18.00	22.00	10	18.00	22.00	10	18.00	22.00	10	18.00	22.00
10	18.00	22.00	11	20.00	24.00	11	20.00	24.00	11	20.00	24.00	11	20.00	24.00	11	20.00	24.00
11	20.00	24.00	12	22.00	26.00	12	22.00	26.00	12	22.00	26.00	12	22.00	26.00	12	22.00	26.00
12	22.00	26.00	13	24.00	28.00	13	24.00	28.00	13	24.00	28.00	13	24.00	28.00	13	24.00	28.00
13	24.00	28.00	14	26.00	30.00	14	26.00	30.00	14	26.00	30.00	14	26.00	30.00	14	26.00	30.00
14	26.00	30.00	15	28.00	32.00	15	28.00	32.00	15	28.00	32.00	15	28.00	32.00	15	28.00	32.00
15	28.00	32.00	16	30.00	34.00	16	30.00	34.00	16	30.00	34.00	16	30.00	34.00	16	30.00	34.00
16	30.00	34.00	17	32.00	36.00	17	32.00	36.00	17	32.00	36.00	17	32.00	36.00	17	32.00	36.00
17	32.00	36.00	18	34.00	38.00	18	34.00	38.00	18	34.00	38.00	18	34.00	38.00	18	34.00	38.00
18	34.00	38.00	19	36.00	40.00	19	36.00	40.00	19	36.00	40.00	19	36.00	40.00	19	36.00	40.00
19	36.00	40.00	20	38.00	42.00	20	38.00	42.00	20	38.00	42.00	20	38.00	42.00	20	38.00	42.00
20	38.00	42.00															

- Specifications :**
- Voltage rating: 100V AC / DC
  - Current rating: 2A AC / DC
  - Withstanding voltage: 800V AC/minute
  - Temperature range: -25°C~+85°C
  - Insulation resistance: ≥1000MΩ
  - Contact resistance: ≤10mΩ
  - After environmental testing: ≤20mΩ

For and on behalf of  
**KXB INDUSTRIAL PRECISION CO., LIMITED**  
 香港星坤工業精密有限公司

MARK	DESCRIPTION	DATE	REVISED	APPROVED	UNSPECIFIED TOLERANCES
△ X					L > 63
△ X					16 > L ≤ 63
△ X					4 < L ≤ 16
					L ≤ 4
					ANGULAR
					± 5°



PART NO	Material	Material(Pin)	Finish(Pin)	Suitable XKB Terminal	Poles	
					A	B
X2016WV-XX-6TSN	Nylon 6T UL94V-0	Brass	Tin-Plated	X2016H	02	03
X2016WV-XX-46SN	Nylon 46 UL 94V-0	Brass	Tin-Plated	X2016H	04	05
X2016WV-XX-N0SN	Nylon 66 UL 94V-0	Brass	Tin-Plated	X2016H	06	07

Poles	Dimensions (mm)			Poles	Dimensions (mm)		
	A	B	C		A	B	C
02	2.00	6.00	5.00	09	16.00	20.00	19.00
03	4.00	8.00	7.00	10	18.00	22.00	21.00
04	6.00	10.00	9.00	11	20.00	24.00	23.00
05	8.00	12.00	11.00	12	22.00	26.00	25.00
06	10.00	14.00	13.00	13	24.00	28.00	27.00
07	12.00	16.00	15.00	14	26.00	30.00	29.00
08	14.00	18.00	17.00	15	28.00	32.00	31.00

- ① Series No. X2016 W V X-XX XX -N0 SN XX
- ② Category: W-WAFER
- ③ Welding Board Angle: V-Straight 180°
- ④ Welding Way: Blank-DIP
- ⑤ Row No.-Pin No.: XX-02P~20P
- ⑥ Plug the Pin & Special No.: Blank-Without Kink
- ⑦ Material: 46 -PA46 94V-0 ; N0-PA66 94V-0 ;
- ⑧ Plating Category: SN-Bright Tin Plating
- ⑨ Color : Blank-Natural Color ; GY-Gray

- Specifications :
- Voltage rating: 100V AC / DC
  - Current rating: 2A AC / DC
  - Withstanding voltage: 800V AC/minute
  - Temperature range: -25°C~+85°C
  - Insulation resistance: ≥1000MΩ
  - Contact resistance: ≤10mΩ
  - After environmental testing: ≤20mΩ

DSND	DATE	SCALE: N/A	MODEL TYPE: X2016WV-XX-XSSN
DWN	DATE <td>VIEW: </td> <td>PART NO.:</td>	VIEW:	PART NO.:
CHKD	DATE <td>UNIT: mm</td> <td>DWG NO.:</td>	UNIT: mm	DWG NO.:
APPD	DATE <td>SIZE: A4</td> <td></td>	SIZE: A4	

REVISION	SHEET	WEIGHT
A0	1/1	1.0g



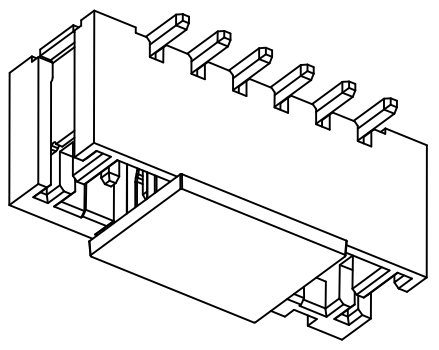
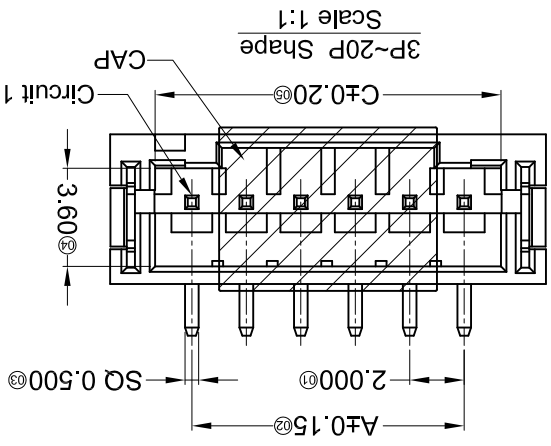
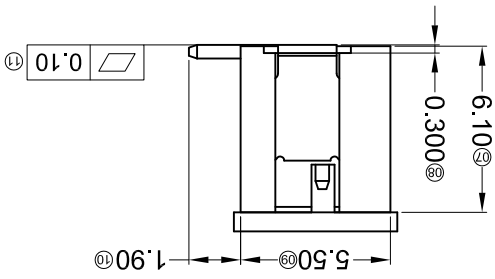
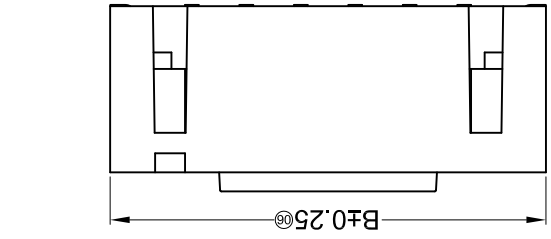
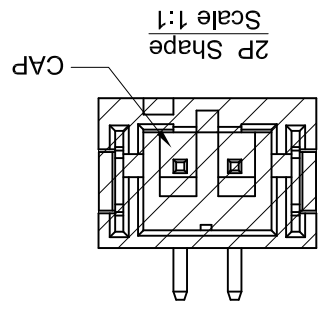
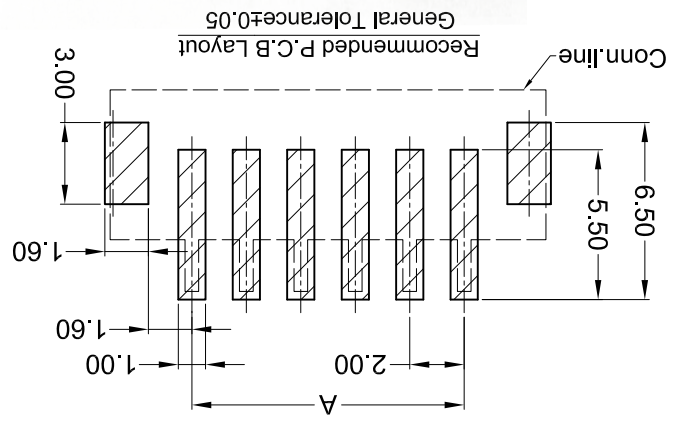
For and on behalf of  
**XKB INDUSTRIAL PRECISION CO., LIMITED**  
 香港星洲工業精密有限公司

MARK	DESCRIPTION	DATE	REVISION	APPROVED	UNSPECIFIED TOLERANCES
△ X					L > 63
△ X					16 > L ≤ 63
△ X					4 < L ≤ 16
△ X					L ≤ 4
					ANGULAR
					±5°

REVISION	SHEET	WEIGHT	DATE	DATE	DATE	DATE	DATE
A0	1/1	1.0g					

**XKB INDUSTRIAL PRECISION CO., LIMITED**

DSND	SCALE: N/A	MODEL TYPE: 2016WVS-XX-XXXXXXX
DWN	VIEW:	PART NO.: 2.00mm Crimp Style Connectors
CHKD	UNIT: mm	DWG NO.:
APPD	SIZE: A4	



Part No.	Material	Material (Pin)	Finish (Pin)	Material (Solder Tabs)	Finish (Solder Tabs)	Material (Solder Tabs)	Finish (Solder Tabs)
X2016WVS-XX-LP5WHF	UL 94V-0	Halogen Free	Tin-Plated	Phosphor Bronze	Matte	Tin-Plated	Tin-Plated
X2016WVS-XX-LP5W	UL 94V-0	LP	Tin-Plated	Phosphor Bronze	Matte	Tin-Plated	Tin-Plated
X2016WVS-XX-9T	UL 94V-0	LCP	Gold-Flash	Phosphor Bronze	Gold-Flash	Tin-Plated	Tin-Plated
X2016WVS-XX-9TWS	UL 94V-0	PA9T	Gold-Flash	Phosphor Bronze	Gold-Flash	Tin-Plated	Tin-Plated
X2016WVS-XX-9TWS	UL 94V-0	PA9T	Gold-Flash	Phosphor Bronze	Gold-Flash	Tin-Plated	Tin-Plated

Series No.	Dimensions (mm)	Dimensions (mm)	Dimensions (mm)	Dimensions (mm)	Dimensions (mm)	Dimensions (mm)	Dimensions (mm)
02	2.00	8.00	4.70	09	16.00	22.00	18.70
03	4.00	10.00	6.70	10	18.00	24.00	20.70
04	6.00	12.00	8.70	11	20.00	26.00	22.70
05	8.00	14.00	10.70	12	22.00	28.00	24.70
06	10.00	16.00	12.70	13	24.00	30.00	26.70
07	12.00	18.00	14.70	14	26.00	32.00	28.70
08	14.00	20.00	16.70	15	28.00	34.00	30.70

- ① Series No.
- ② Category: W-WAFER
- ③ Welding Board Angle: V-Straight 180°
- ④ Welding Way: S-SMT
- ⑤ Row No./Pin No.: XX-02P~20P
- ⑥ Plug the Pin & Special No.
- ⑦ Material: LP-LCP 94V-0; 9T-PA9T 94V-0
- ⑧ Plating Category: SW-Matte Tin Plating; V01- Gold Flash
- ⑨ Color: HF-Halogen Free;

- Specifications:**
- Voltage rating: 100V AC / DC
  - Current rating: 2A AC / DC
  - Withstanding voltage: 800V AC/minute
  - Temperature range: -25°C~+85°C
  - Insulation resistance: ≥1000MΩ
  - Contact resistance: ≤10mΩ
  - After environmental testing: ≤20mΩ

X2016 W V S-XX X-XX XXX XX

For and on behalf of  
**KXB INDUSTRIAL PRECISION CO., LIMITED**  
 香港星坤工業精密有限公司

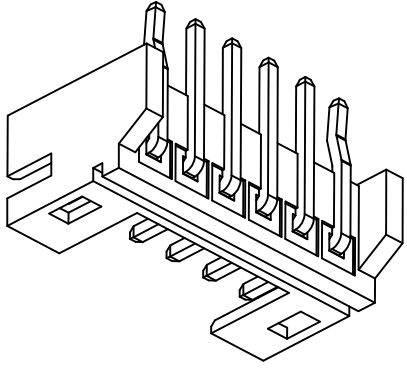
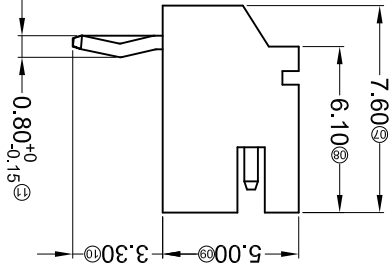
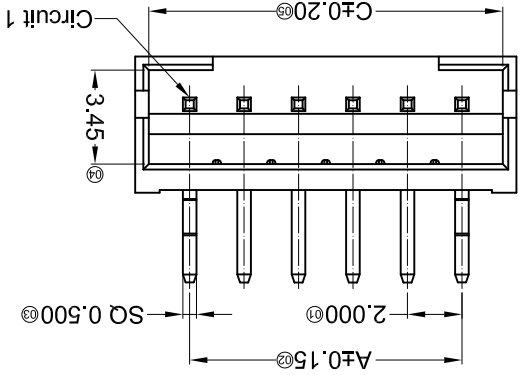
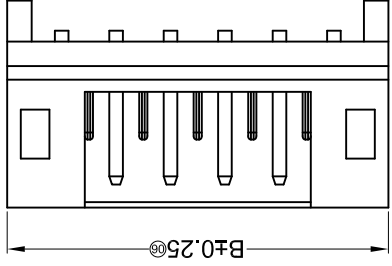
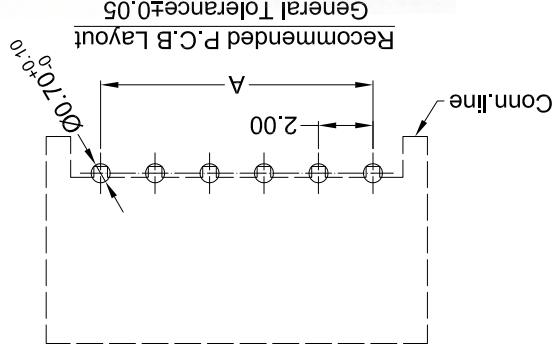
MARK	DESCRIPTION	DATE	REVISD	APPROVED	UNSPECIFIED TOLERANCES
△ X					L > 63
△ X					16 > L ≤ 63
△ X					4 < L ≤ 16
△ X					L ≤ 4
					ANGULAR
					±5°

REVISIONS	DATE	REVISD	APPROVED	UNSPECIFIED TOLERANCES
				L > 63
				16 > L ≤ 63
				4 < L ≤ 16
				L ≤ 4
				ANGULAR
				±5°

DATE	SCALE: N/A	MODEL TYPE:	2016WR-XXK-N0SN
DWNDN	VIEW:	PART NO.:	2016WR-XXK-N0SN
CHKD	UNIT: mm	DWG NO.:	
APPD	DATE	SIZE: A4	
	DATE		
	DATE		

DATE	SCALE: N/A	MODEL TYPE:	2016WR-XXK-N0SN
DWNDN	VIEW:	PART NO.:	2016WR-XXK-N0SN
CHKD	UNIT: mm	DWG NO.:	
APPD	DATE	SIZE: A4	
	DATE		
	DATE		

WEIGHT	SHEET	REVISION
1.0g	1/1	A0



PART NO	Material	Material (Pn)	Finish (Pn)	Suitable XKB Terminal
X2016WR-XXK-N0SN	Nylon 66 UL 94V-0	Brass	Tin-Plated	X2016H

Dimensions (mm)	Dimensions (mm)	Dimensions (mm)	Dimensions (mm)	Dimensions (mm)	Dimensions (mm)
08	14.00	18.00	17.00	15	28.00
07	12.00	16.00	15.00	14	26.00
06	10.00	14.00	13.00	13	24.00
05	8.00	12.00	11.00	12	22.00
04	6.00	10.00	9.00	11	20.00
03	4.00	8.00	7.00	10	18.00
02	2.00	6.00	5.00	09	16.00
	A	B	C	A	B
	A	B	C	A	B
	A	B	C	A	B

① Series No. X2016 W R X-XX K -N0 SN XX  
 ② Category: W-WAFER  
 ③ Welding Board Angle: R-Right Angle 90°  
 ④ Welding Way: Blank-DIP  
 ⑤ Row No.-Pin No.: XX-02P~20P  
 ⑥ Plug the Pin & Special No.: K-kink, DIP=3.30mm  
 ⑦ Material: N0-PA66 94V-0  
 ⑧ Plating Category: SN-Bright Tin Plating  
 ⑨ Color: Blank-Natural Color

- Specifications:
- Voltage rating: 100V AC / DC
  - Current rating: 2A AC / DC
  - Withstanding voltage: 800V AC/minute
  - Temperature range: -25°C~+85°C
  - Insulation resistance: ≥1000MΩ
  - Contact resistance: ≤10mΩ
  - After environmental testing: ≤20mΩ



For and on behalf of  
**XKB INDUSTRIAL PRECISION CO., LIMITED**  
 香港星坤工業精密有限公司

MARK	DESCRIPTION	DATE	REVISED	APPROVED	UNSPECIFIED TOLERANCES
△ X					L > 63 ±0.5
△ X					16 < L ≤ 63 ±0.4
△ X					4 < L ≤ 16 ±0.3
△ X					L ≤ 4 ±0.2
					ANGULAR ±5°

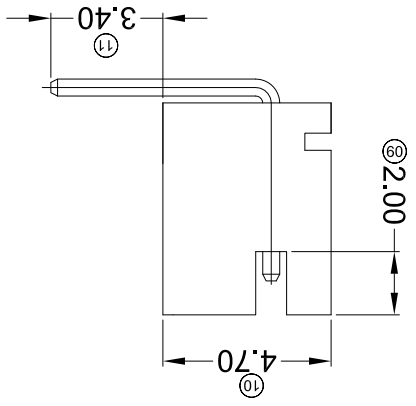
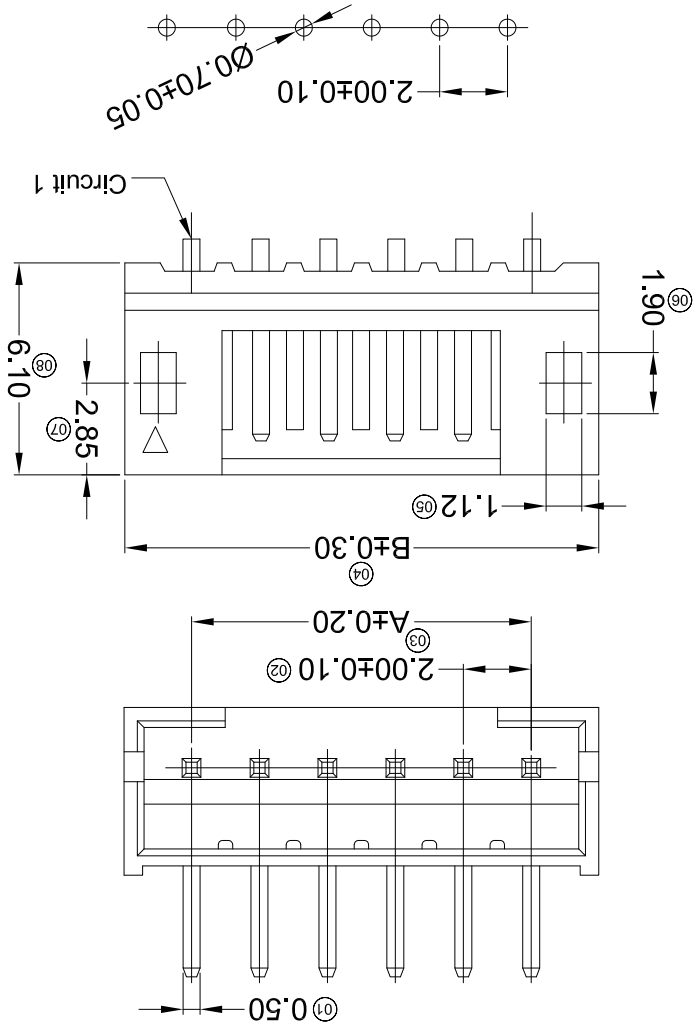
REVISION	SHEET	WEIGHT	REVISION
A0	1/1	1.0g	

DATE	DATE	DATE	DATE	DATE

SCALE: N/A	VIEW:	UNIT: mm	SIZE: A4

MODEL TYPE:	PART NO.:	DWG NO.:
X2016WR-XXB-N0SN		2.00 mm Crimp Style Connector

**Recommend PCB Layout**



PART NO	Material	Material(Pin)	Finish(Pin)	Suitable XKB Terminal	Q'ty/Bag
X2016WR-XXB-N0SN	Nylon 66 UL 94V-0	Brass	Tin-Plated	XZ016H	1,000Pcs

Poles	A	B
Dimensions (mm)	2.00	6.00
	4.00	8.00
	6.00	10.00
	8.00	12.00
	10.00	14.00
	12.00	16.00
	14.00	18.00
	16.00	20.00
	18.00	22.00
	20.00	24.00
	22.00	26.00
	24.00	28.00
	26.00	30.00
	28.00	32.00
	30.00	34.00
	32.00	36.00
	34.00	38.00
	36.00	40.00
	38.00	42.00

- ① Series No.
- ② Category: W-WAFER
- ③ Welding Board Angle: V-180°; R-90°
- ④ Welding Way: Blank-DIP; S-SMT
- ⑤ Row No.-Pin No.: XX-Single Row; 2\*XX-Double Row
- ⑥ Plug the Pin & Special No.:
- ⑦ Material: NO -PA66 94V-0
- ⑧ Plating Category: G\*\*-Gold Plated Contact
- V\*\* - All Gold-Plated
- 01-Gold Flash 02-2u" 03-3u"
- 05-5u" 10-10u" 15-15u"
- SN-Bright Tin Plating (70-120u")
- SN1-Bright Tin Plating (120u" Min).
- 0-No Plating Material
- SW-Fog Tin Plating
- HS-Hight temperature Tin
- ⑨ Color: Blank-Natural Color

- Specifications:**
- Voltage rating: 100V AC / DC
  - Current rating: 2A AC / DC
  - Withstanding voltage: 800V AC/minute
  - Temperature range: -25°C~+85°C
  - Insulation resistance: ≥1000MΩ
  - Contact resistance: ≤10mΩ
  - After environmental testing: ≤20mΩ

For and on behalf of  
**XKB INDUSTRIAL PRECISION CO., LIMITED**  
 香港星坤工業精密有限公司  
 Authorized Signatures

MARK	DESCRIPTION	DATE	REVISED	APPROVED	UNSPECIFIED TOLERANCES
△ X					L > 63
△ X					16 > L ≤ 63
△ X					4 < L ≤ 16
△ X					L ≤ 4
					ANGULAR ±5°

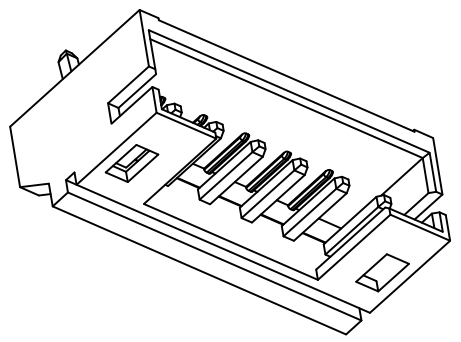
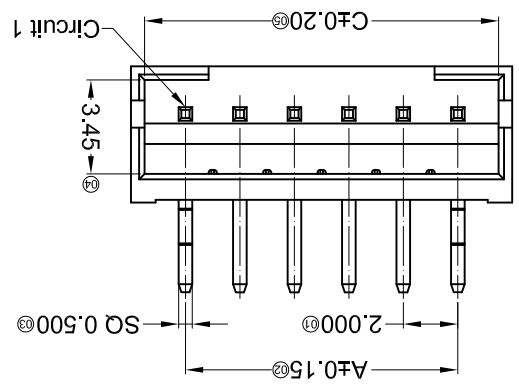
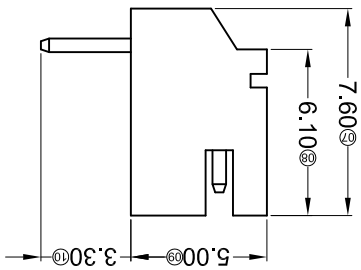
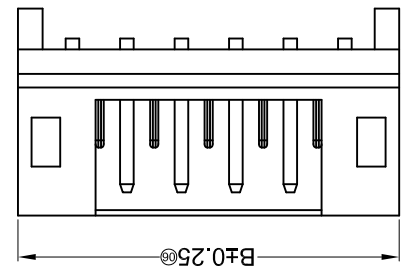
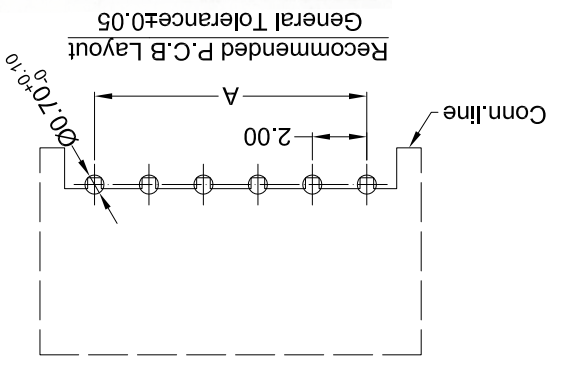
REVISIONS	WEIGHT	SHEET	REVISION
	1.0g	1/1	A0

DATE	SCALE: N/A	MODEL TYPE:
		2016WR-XX-NOSN

DATE	VIEW:	PART NO.:
		2016WR-XX-NOSN

DATE	UNIT: mm	DWG NO.:
		2.00 mm Crimp Style Connectors

DATE	SIZE: A4	APPD



- ① Series No.  
 ② Category: W-WAFER  
 ③ Welding Board Angle: R-Right Angle 90°  
 ④ Welding Way: Blank-DIP  
 ⑤ Row No.-Pin No.: XX-02P~20P  
 ⑥ Plug the Pin & Special No.: Blank-Without kink  
 ⑦ Material: NO-PA66 94V-0  
 ⑧ Plating Category: SN-Bright Tin Plating  
 ⑨ Color: Blank-Natural Color;

- Specifications:
- Voltage rating: 100V AC / DC
  - Current rating: 2A AC / DC
  - Withstanding voltage: 800V AC/minute
  - Temperature range: -25°C~+85°C
  - Insulation resistance: ≥1000MΩ
  - Contact resistance: ≤10mΩ
  - After environmental testing: ≤20mΩ

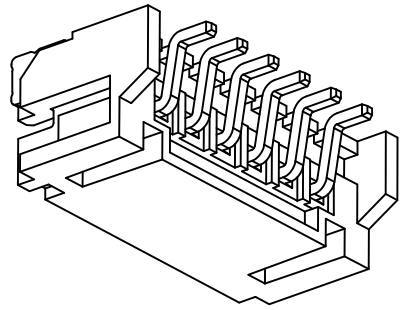
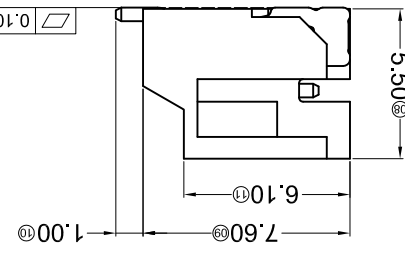
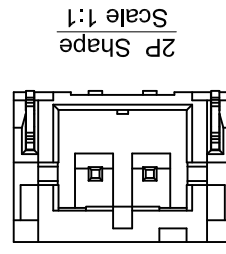
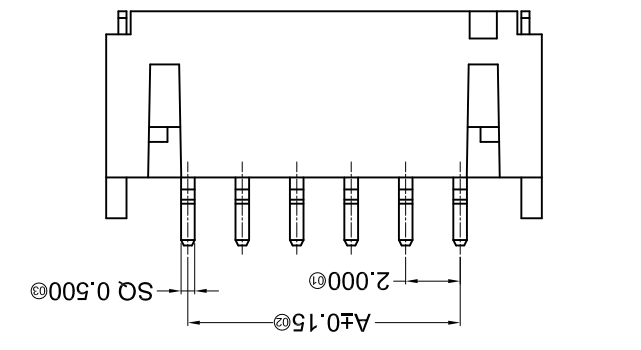
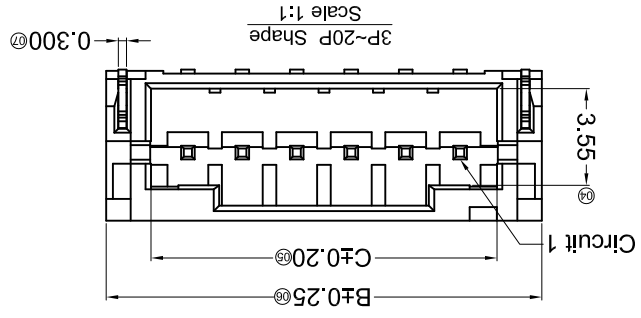
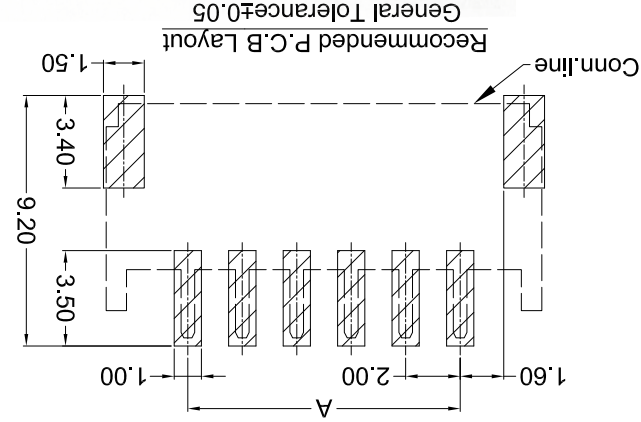
PART NO	Material	Material(Pin)	Finish(Pin)	Suitable XKB Terminal
X2016WR-XX-NOSN	Nylon 66 UL 94V-0	Brass	Tin-Plated	X2016H

Poles	Dimensions (mm)		
	A	B	C
02	2.00	6.00	5.00
03	4.00	8.00	7.00
04	6.00	10.00	9.00
05	8.00	12.00	11.00
06	10.00	14.00	13.00
07	12.00	16.00	15.00
08	14.00	18.00	17.00

Poles	Dimensions (mm)		
	A	B	C
02	30.00	34.00	33.00
03	36.00	36.00	35.00
04	38.00	38.00	37.00
05	40.00	40.00	39.00
06	42.00	42.00	41.00

For and on behalf of  
**XKB INDUSTRIAL PRECISION CO., LIMITED**  
 香港星坤工業精密有限公司

MARK	DESCRIPTION	DATE	REVISED	APPROVED	UNSPECIFIED TOLERANCES
△ X					L > 63
△ X					16 < L ≤ 63
△ X					4 < L ≤ 16
△ X					L ≤ 4
					ANGULAR
					± 5°



PART NO	Material	Material (P/n)	Finish (P/n)	Material (Solder Tabs)	Material (Solder Tabs)	Suitable XKB Terminal
X2016WRS-XX-9TSM	PA9T UL 94V-0	Tin-Plated	Tin-Plated	Brass	Tin-Plated	Male
X2016WRS-XX-LP5WHF	LCP UL 94V-0	Halogen Free	Tin-Plated	Brass	Tin-Plated	Male
X2016WRS-XX-LP5SW	LCP UL 94V-0	Halogen Free	Tin-Plated	Brass	Tin-Plated	Male
X2016WRS-XX-9T15BK	PA9T UL 94V-0	Black	Gold15u"	Brass	Tin-Plated	Male
X2016WRS-XX-9T15SW	PA9T UL 94V-0	Black	Gold15u"	Brass	Tin-Plated	Male
X2016WRS-XX-9T15BK	PA9T UL 94V-0	Black	Gold15u"	Brass	Tin-Plated	Male
X2016WRS-XX-9T15SW	PA9T UL 94V-0	Black	Gold15u"	Brass	Tin-Plated	Male

Poles	Dimensions (mm)		Poles	Dimensions (mm)	
	A	B		A	B
02	2.00	8.00	09	16.00	22.00
03	4.00	10.00	10	18.00	24.00
04	6.00	12.00	11	20.00	26.00
05	8.00	14.00	12	22.00	28.00
06	10.00	16.00	13	24.00	30.00
07	12.00	18.00	14	26.00	32.00
08	14.00	20.00	15	28.00	34.00
				30.00	36.00
				32.00	38.00
				34.00	40.00
				36.00	42.00
				38.00	44.00
				40.00	46.00
				42.00	48.00
				44.00	50.00

- ① Series No.  
 ② Category: W-WAFER  
 ③ Welding Board Angle: R-Right Angle 90°  
 ④ Welding Way: S-SMT  
 ⑤ Row No./Pin No.: XX-02P~20P  
 ⑥ Plug the Pin & Special No.  
 ⑦ Material: 9T-PA9T 94V-0 LP-LCP 94V-0  
 ⑧ Plating Category: SW-Matte Tin Plating; V15-Gold 15u"  
 ⑨ Color: HF-Halogen Free; Blank-Natural Color; BK-Black

- Specifications:
- Voltage rating: 100V AC / DC
  - Current rating: 2A AC / DC
  - Withstanding voltage: 800V AC/minute
  - Temperature range: -25°C~+85°C
  - Insulation resistance: ≥100MΩ
  - Contact resistance: ≤10mΩ
  - After environmental testing: ≤20mΩ

DATE	SCALE: N/A	MODEL TYPE:	PART NO.:	DWG NO.:	REVISION	WEIGHT	SHEET	REVISION
			X2016WRS-XX-XXXXXXX	2.00mm Crimp Style Connectors		1.0g	1/1	A0
DATE	DATE	DATE	VIEW:	UNIT: mm	SIZE: A4			
DATE	DATE	DATE						
DATE	DATE	DATE						
DATE	DATE	DATE						

APPD	CHKD	DWN	DSND

DATE	SCALE: N/A	MODEL TYPE:	PART NO.:	DWG NO.:	REVISION	WEIGHT	SHEET	REVISION
			X2016WRS-XX-XXXXXXX	2.00mm Crimp Style Connectors		1.0g	1/1	A0

- ① Series No.  
 ② Category: W-WAFER  
 ③ Welding Board Angle: R-Right Angle 90°  
 ④ Welding Way: S-SMT  
 ⑤ Row No./Pin No.: XX-02P~20P  
 ⑥ Plug the Pin & Special No.  
 ⑦ Material: 9T-PA9T 94V-0 LP-LCP 94V-0  
 ⑧ Plating Category: SW-Matte Tin Plating; V15-Gold 15u"  
 ⑨ Color: HF-Halogen Free; Blank-Natural Color; BK-Black

- Specifications:
- Voltage rating: 100V AC / DC
  - Current rating: 2A AC / DC
  - Withstanding voltage: 800V AC/minute
  - Temperature range: -25°C~+85°C
  - Insulation resistance: ≥100MΩ
  - Contact resistance: ≤10mΩ
  - After environmental testing: ≤20mΩ

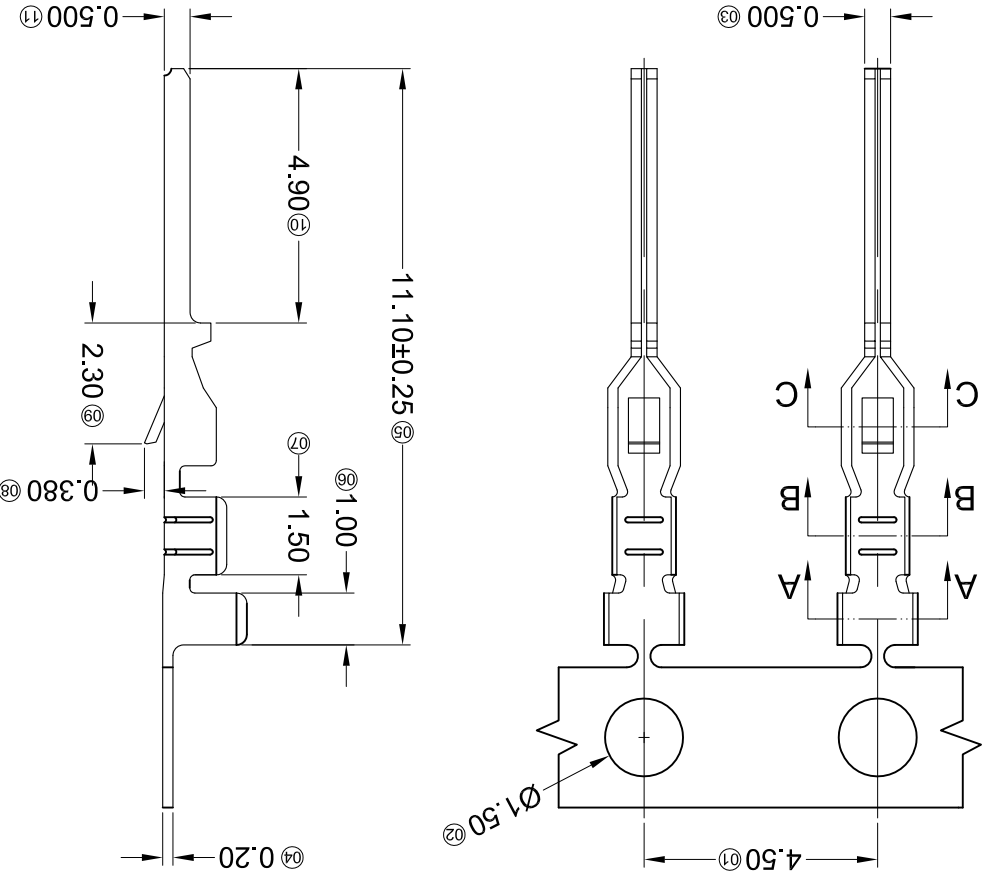
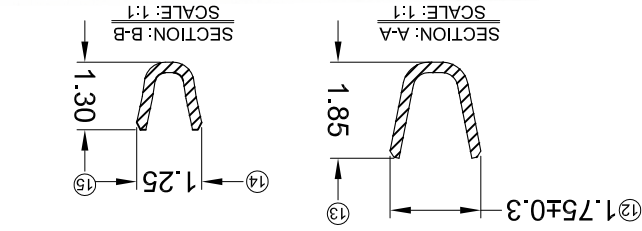
For and on behalf of  
**XKB INDUSTRIAL PRECISION CO., LIMITED**  
 香港星坤工業精密有限公司

REVISIONS		UNSPECIFIED TOLERANCES	
MARK	DESCRIPTION	APPROVED	REVISIED
△ X		L > 63	± 0.5
△ X		16 < L ≤ 63	± 0.4
△ X		4 < L ≤ 16	± 0.3
△ X		L ≤ 4	± 0.2
		ANGULAR	± 5°

REVISIONS		UNSPECIFIED TOLERANCES	
MARK	DESCRIPTION	APPROVED	REVISIED
△ X		L > 63	± 0.5
△ X		16 < L ≤ 63	± 0.4
△ X		4 < L ≤ 16	± 0.3
△ X		L ≤ 4	± 0.2
		ANGULAR	± 5°

DSND	DATE	SCALE: N/A	MODEL TYPE: X2016TM-PSN
DWN	DATE	VIEW:	PART NO.: 2.00 mm Crimp Style Connectors
CHKD	DATE	UNIT: mm	DWG NO.:
APPD	DATE	SIZE: A4	

PART NO	Material	Wire Range	Insulation O.D.	Finish	Suitable XKB Terminal
X2016TM-PSN	Phosphor Bronze	AWG#26-28	1.30mm(Max)	Stamping Before plating:30u" MIN, Nt.70u"Sn	X2016HF
					Suitable XKB Terminal



■ Specifications :

- Voltage rating: 100V AC / DC
- Current rating: 2A AC / DC
- Withstanding voltage: 800V AC/minute
- Temperature range: -25°C~+85°C
- Insulation resistance: ≥1000MΩ
- Contact resistance: ≤10mΩ
- After environmental testing: ≤20mΩ

- ① Series Number
- ② Category: T-terminal
- ③ Shape: M-Male
- ④ Material: P-Phosphor bronze
- ⑤ Plating style: SN-Bright tin plating
- ⑥ Plating method: Blank-Stamping before plating
- ⑦ Mold No./Mark/Special No.

X2016 T M-P SN X - X  
 ① ② ③ ④ ⑤ ⑥ ⑦

For and on behalf of  
**KKB INDUSTRIAL PRECISION CO., LIMITED**  
 香港星坤工業精密有限公司

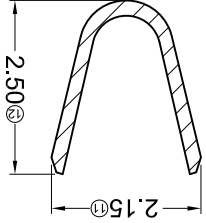
MARK	DESCRIPTION	DATE	REVISED	APPROVED	UNSPECIFIED TOLERANCES
△ X					L > 63 ± 0.5
△ X					16 < L ≤ 63 ± 0.4
△ X					4 < L ≤ 16 ± 0.3
△ X					L ≤ 4 ± 0.2
					ANGULAR ± 5°

REVISION	SHEET	WEIGHT	DATE	DATE	DATE	DATE	DATE
A0	1/1	1.0g					

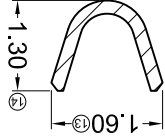
**KKB INDUSTRIAL PRECISION CO., LIMITED**

<b>DSND</b>	SCALE: N/A	VIEW:	PART NO.: X2016T-P-XXXX
<b>DWN</b>	DATE	DATE	DATE
<b>CHKD</b>	UNIT: mm	DATE	DATE
<b>APPD</b>	SIZE: A4	DATE	DATE

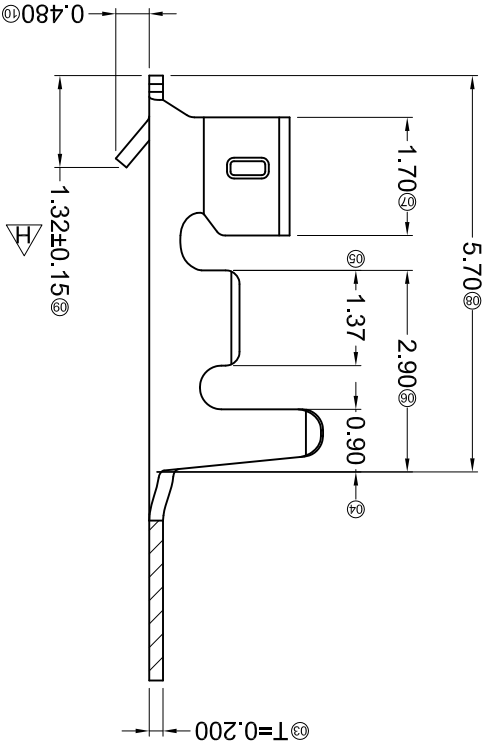
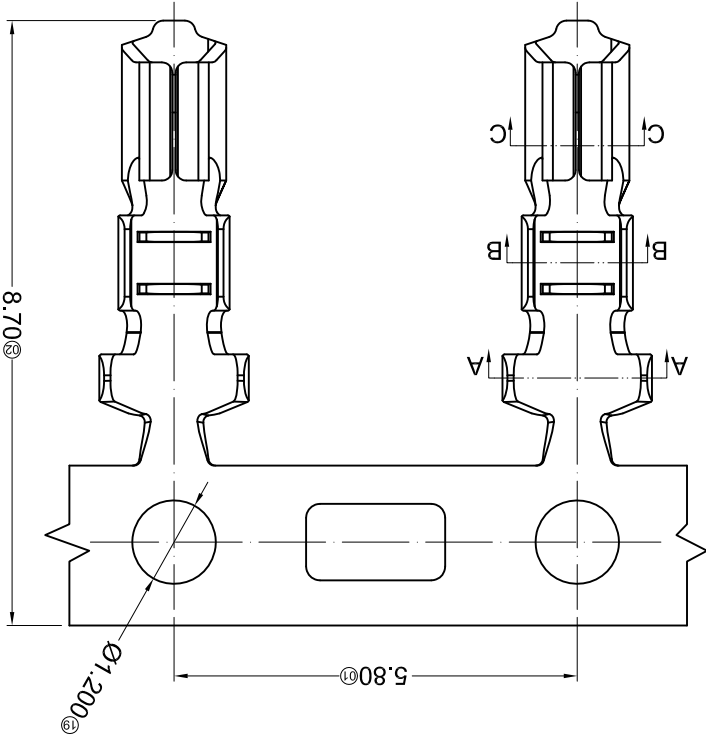
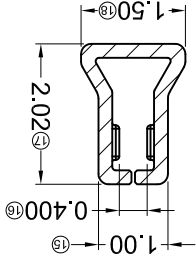
SECTION: A-A  
SCALE: 1:1



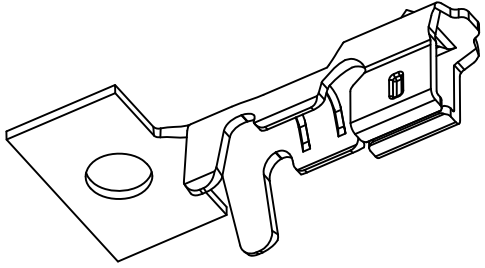
SECTION: B-B  
SCALE: 1:1



SECTION: C-C  
SCALE: 1:1



XPART NO	Material	Wire Range	Insulation O.D.	Finish	XPART NO
X2016T-PV01	Phosphor Bronze	AWG#24-30	1.50mm(Max)	Stamping Before plating:30u" MIN, Nf. 70u"Sn	X2016T-PSN
				Whole Gold :Gold Flash	X2016H
				Stamping Before plating:30u" MIN, Nf.	
				Plating Before Stamping:10u" MIN, Nf. : 30u"Sn	
				Stamping Before plating:30u" MIN, Nf. 70u"Sn	
				Plating Before plating:30u" MIN, Nf. 70u"Sn	



- Specifications :**
- Voltage rating: 100V AC / DC
  - Current rating: 2A AC / DC
  - Withstanding voltage: 800V AC/minute
  - Temperature range: -25°C~+85°C
  - Insulation resistance: ≥1000MΩ
  - Contact resistance: ≤10mΩ
  - After environmental testing: ≤20mΩ
- X2016 T X-P XXX X - X
- Series Number
  - Category: T-terminal
  - Shape: Blank-ordinary
  - Material: P-Phosphor bronze
  - Plating style: V01-Gold Flash ; SN-Bright tin plating
  - Plating method: Blank-stamping before plating
  - B-plating before stamping
  - Mold No./Mark/Special No.

For and on behalf of  
**KXB INDUSTRIAL PRECISION CO., LIMITED**  
 香港星坤工業精密有限公司

Authorized Signatures

MARK	DESCRIPTION	DATE	REVISED	APPROVED	UNSPECIFIED TOLERANCES
△ X					L > 63 ± 0.5
△ X					16 < L ≤ 63 ± 0.4
△ X					4 < L ≤ 16 ± 0.3
△ X					L ≤ 4 ± 0.2
					ANGULAR ± 5°

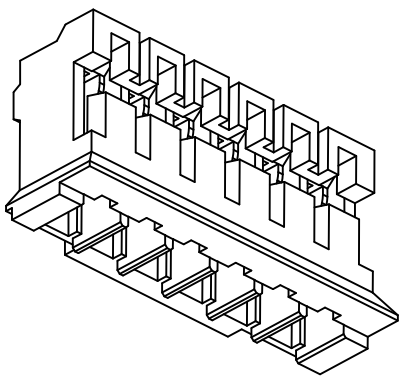
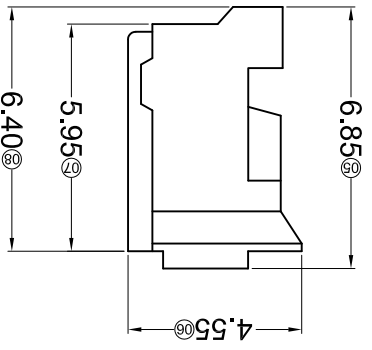
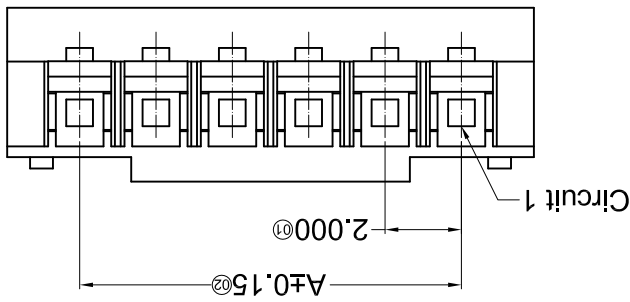
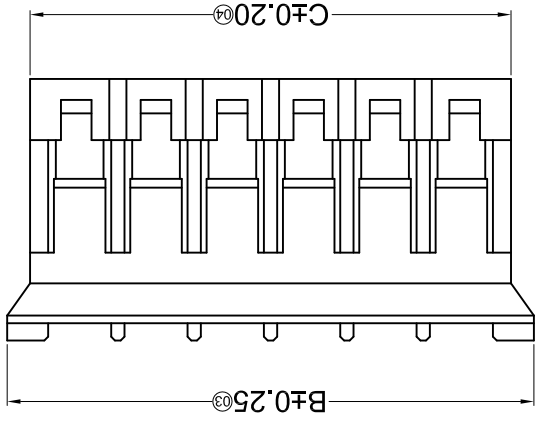
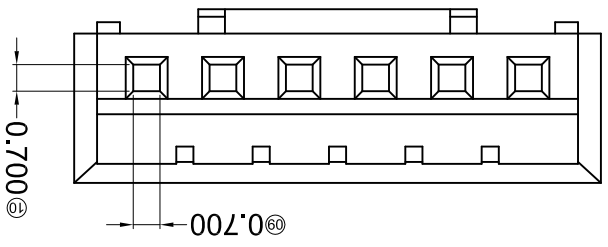
REVISION	SHEET	WEIGHT	1/1	1.0g	8
AO					

DATE	SCALE: N/A	MODEL TYPE: X2016H-XX-N0XX	VIEW:	DATE	DATE	DATE	DATE	DATE	DATE

DATE	DATE	DATE	DATE	DATE	DATE	DATE	DATE	DATE	DATE

DATE	DATE	DATE	DATE	DATE	DATE	DATE	DATE	DATE	DATE

DATE	DATE	DATE	DATE	DATE	DATE	DATE	DATE	DATE	DATE



PART NO	Material	Suitable XKB Terminal	Suitable XKB Terminal
X2016H-XX-N0-C	Nylon 66 UL 94V-0	X2016T	X2016W
X2016H-XX-N0HF	PA66 UL 94V-0 Halogen Free		
X2016H-XX-N0	Nylon 66 UL 94V-0		

Poles	Dimensions (mm)		
	A	B	C
02	2.00	5.80	4.60
03	4.00	7.80	6.60
04	6.00	9.80	8.60
05	8.00	11.80	10.60
06	10.00	13.80	12.60
07	12.00	15.80	14.60
08	14.00	17.80	16.60
09	16.00	19.80	18.60
10	18.00	21.80	20.60
11	20.00	23.80	22.60

- ① Series No.
  - ② Category: H-HSG
  - ③ Appearance type: Blank-Ordinary
  - ④ Row No.-Pin No.: XX-02P~20P
  - ⑤ Plug the Pin & special No.: Blank-Ordinary
  - ⑥ Material: N0-PA66 94V-0
  - ⑦ HF-Halogen Free
  - ⑧ C-Glowing Filament;
- X2016 H X-XX X-N0 HF-C

- Specifications:
- Voltage rating: 100V AC / DC
  - Current rating: 2A AC / DC
  - Withstanding voltage: 800V AC/minute
  - Temperature range: -25°C~+85°C
  - Insulation resistance: ≥1000MΩ
  - Contact resistance: ≤10mΩ
  - After environmental testing: ≤20mΩ

For and on behalf of  
**XKB INDUSTRIAL PRECISION CO., LIMITED**  
 香港星坤工業精密有限公司

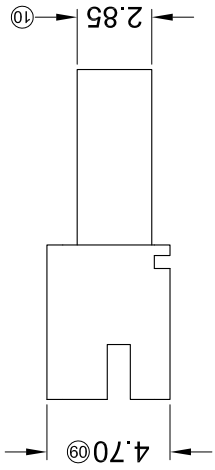
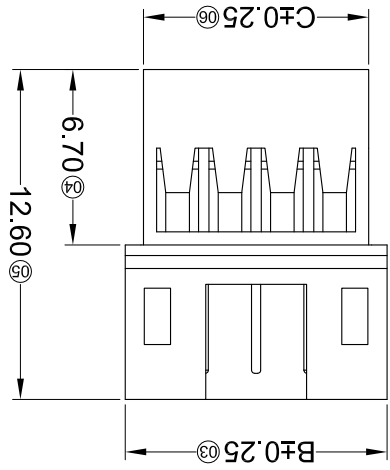
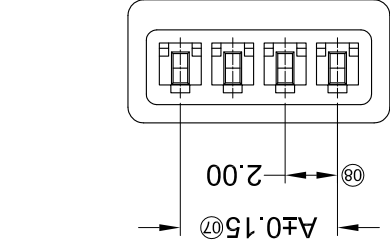
MARK	DESCRIPTION	DATE	REVISED	APPROVED	UNSPECIFIED TOLERANCES
△ X					L > 63
△ X					16 < L ≤ 63
△ X					4 < L ≤ 16
					L ≤ 4
					ANGULAR
					± 5°

REVISION	SHEET	WEIGHT	DATE	DATE	DATE	DATE
A0	1/1	1.0g				

**XKB INDUSTRIAL PRECISION CO., LIMITED**

DNSD	SCALE: N/A	DATE	
DWN	VIEW:	DATE	
CHKD	UNIT: mm	DATE	
APPD	SIZE: A4	DATE	

MODEL TYPE: X2016HF-XX-N0XX  
 PART NO.:  
 2.0mm Crimp Style Connectors  
 DWG NO.:



PART NO	Material	Suitable XKB Terminal	Suitable XKB Terminal
X2016HF-XX-N0	Nylon 66 UL 94V-0	X2016TM	Suitable XKB Terminal
X2016HF-XX-N0BK	Nylon 66 UL 94V-0 Black	X2016TM	Suitable XKB Terminal

Poles	Dimensions (mm)		
	A	B	C
02	2.00	6.00	4.60
03	4.00	8.00	6.60
04	6.00	10.00	8.60
05	8.00	12.00	10.60
06	10.00	14.00	12.60
07	12.00	16.00	14.60
08	14.00	18.00	16.60
09	16.00	20.00	18.60
10	18.00	22.00	20.60
11	20.00	24.00	22.60

- ① Series No.
- ② Category: H-HSG
- ③ Welding Board Angle: F-Female HSG
- ④ Row No.-Pin No.: XX-02P~20P
- ⑤ Plug the Pin & special No.:
- ⑥ Material: N0-PA66 94V-0;
- ⑦ Color: Blank-natural color; BK-Black

X2016 H F-XX X-N0 XX

- Specifications :
- Voltage rating: 125V AC / DC
  - Current rating: 1A AC / DC
  - Withstanding voltage: 250V AC/minute
  - Temperature range: -25°C~+85°C
  - Insulation resistance: ≥100MΩ
  - Contact resistance: ≤20mΩ
  - After environmental testing: ≤40mΩ

## X-ON Electronics

Largest Supplier of Electrical and Electronic Components

*Click to view similar products for [Headers & Wire Housings](#) category:*

*Click to view products by [XKB](#) manufacturer:*

Other Similar products are found below :

[95000-104TRLF](#) [10135584-644402LF](#) [DF62W-EP2022PCA](#) [95000-106TRLF](#) [DF62W-2022SCA](#) [DF62W-EP2022PC](#) [2203348](#) [DF62W-2022SC](#) [1084018](#) [1029039](#) [1084017](#) [802-10-012-10-002000](#) [1112640](#) [1112639](#) [891-007-9SS-BST1T](#) [000-34000](#) [0008550134](#) [0009482033](#) [0009507031](#) [57102-F02-18ULF](#) [57102-S06-03LF](#) [57202-S52-04LF](#) [PCN6-15S-2.5E](#) [0039019024](#) [58102-G61-06LF](#) [582553-1](#) [0009485154](#) [0009508121](#) [0022285053](#) [0050291907](#) [018731A](#) [LY20-4P-DT1-P1E-BR](#) [02.125.8002.8](#) [60101931](#) [60598-1 \(Cut Strip\)](#) [M1625-3R/100](#) [61062-3](#) [61082-181009](#) [CSU011177004](#) [636-1427](#) [638009-1](#) [641938-9](#) [641991-4](#) [644168-1](#) [644827-2](#) [647662-1](#) [65039-019ELF](#) [65692-001LF](#) [65781-018](#) [65781-047](#)