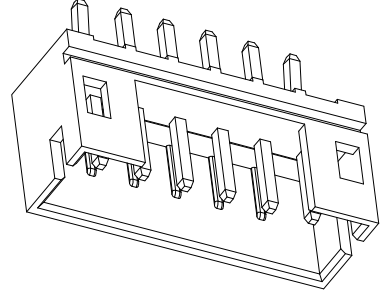
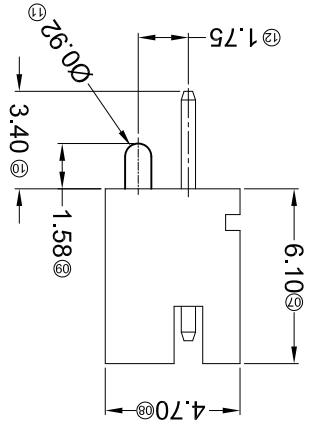
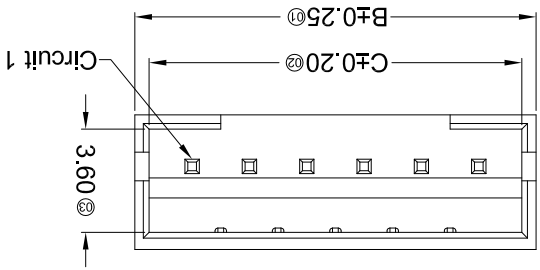
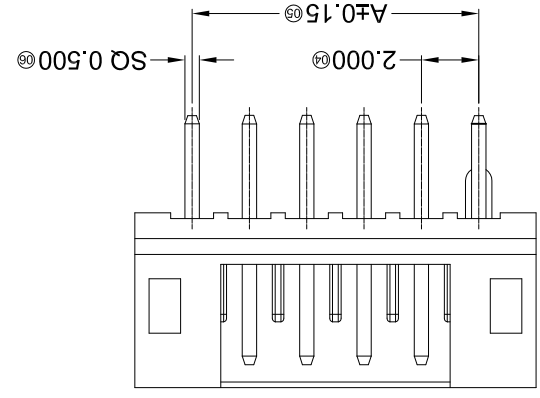
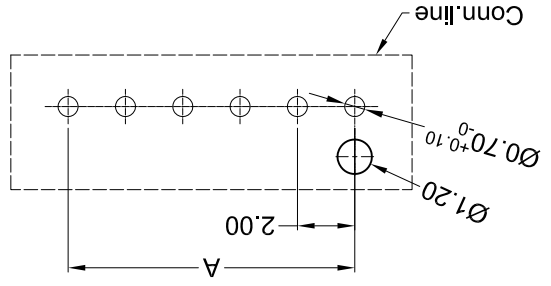


For and on behalf of
XKB INDUSTRIAL PRECISION CO., LIMITED
 香港星坤工業精密有限公司

MARK	DESCRIPTION	REVISIONS			UNSPECIFIED TOLERANCES
		DATE	REVISED	APPROVED	
△X					L > 63 ±0.5
△X					16 > L ≤ 63 ±0.4
△X					4 < L ≤ 16 ±0.3
△X					L ≤ 4 ±0.2
					ANGULAR ±5°

REVISION	SHEET	WEIGHT	XKB INDUSTRIAL PRECISION CO., LIMITED			
A0	1/1	1.0g				
			SIZE: A4	DATE	DATE	DATE
			UNIT: mm	DATE	DATE	DATE
			VIEW:	DATE	DATE	DATE
			SCALE: N/A	DATE	DATE	DATE
			MODEL TYPE: X2016WV-XXS-LPSN			
			PART NO.:			
			2.00 mm Crimp Style Connectors			
			DWG NO.:			

Recommended P.C.B Layout
 General Tolerance ±0.05



PART NO	Material	Material(Pin)	Finish(Pin)	Suitable XKB Terminal
X2016WV-XXS-LPSN	LCP UL 94V-0	Brass	Tin-Plated	X2016H

Poles	Dimensions (mm)			Poles	Dimensions (mm)		
	A	B	C		A	B	C
02	2.00	6.00	5.00	09	16.00	20.00	19.00
03	4.00	8.00	7.00	10	18.00	22.00	21.00
04	6.00	10.00	9.00	11	20.00	24.00	23.00
05	8.00	12.00	11.00	12	22.00	26.00	25.00
06	10.00	14.00	13.00	13	24.00	28.00	27.00
07	12.00	16.00	15.00	14	26.00	30.00	29.00
08	14.00	18.00	17.00	15	28.00	32.00	31.00

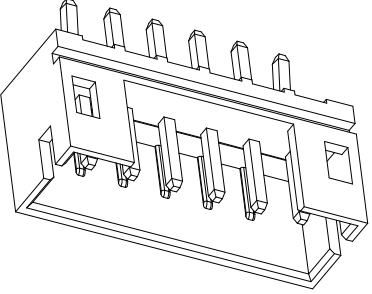
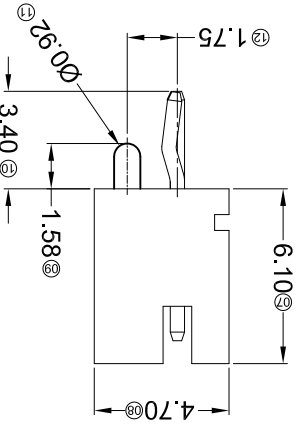
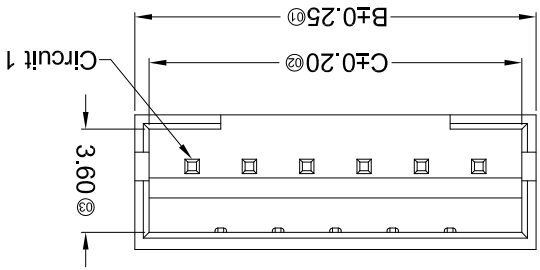
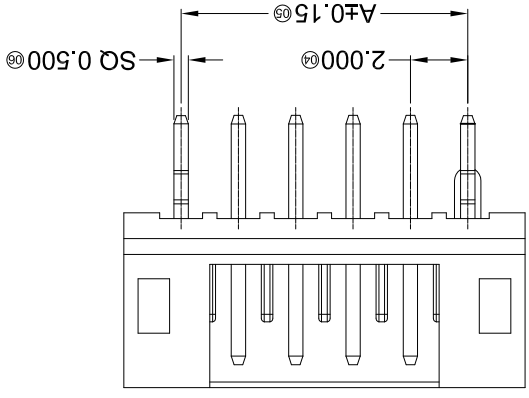
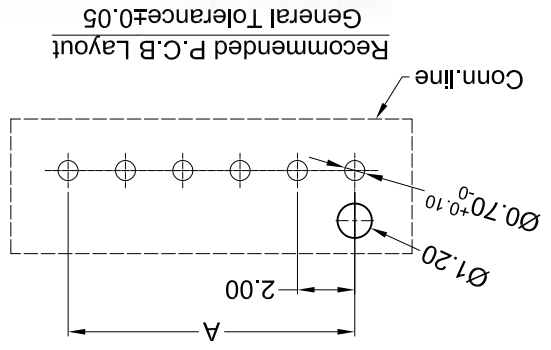
- Specifications :**
- Voltage rating: 100V AC / DC
 - Current rating: 2A AC / DC
 - Withstanding voltage: 800V AC/minute
 - Temperature range: -25°C~+85°C
 - Insulation resistance: ≥1000MΩ
 - Contact resistance: ≤10mΩ
 - After environmental testing: ≤20mΩ
- ① Series No.**
- ② Category:** W-WAFER
- ③ Welding Board Angle:** V-Straight 180°
- ④ Welding Way:** Blank-DIP
- ⑤ Row No.-Pin No.:** XX-02P~20P
- ⑥ Plug the Pin & Special No.:** Blank-Without Kink,S-With Post;
- ⑦ Material:** LP-LCP 94V-0;
- ⑧ Plating Category:** SN-Bright Tin Plating
- ⑨ Color :** Blank-Natural Color;
- X2016 W V X-XX S-LP SN XX**
- ① ② ③ ④ ⑤ ⑥ ⑦ ⑧ ⑨

For and on behalf of
XKB INDUSTRIAL PRECISION CO., LIMITED
 香港星坤工業精密有限公司

MARK	DESCRIPTION	REVISIONS			UNSPECIFIED TOLERANCES		
		DATE	REVISED	APPROVED	DATE	APPROVED	UNSPECIFIED TOLERANCES
△X						L > 63	±0.5
△X						16 > L ≤ 63	±0.4
△X						4 < L ≤ 16	±0.3
						L ≤ 4	±0.2
						ANGULAR	±5°

REVISION		WEIGHT		XKB INDUSTRIAL PRECISION CO., LIMITED	
NO.	DESCRIPTION	WEIGHT	SHEET	NO.	DESCRIPTION
A0		1.0g	1/1		

DSND	DATE	SCALE: N/A	MODEL TYPE: 2016WV-XXKS-4TSN
DWN	DATE <td>VIEW: </td> <td>PART NO.: 2.00 mm Crimp Style Connectors </td>	VIEW:	PART NO.: 2.00 mm Crimp Style Connectors
CHKD	DATE <td>UNIT: mm <td>DWG NO.:</td> </td>	UNIT: mm <td>DWG NO.:</td>	DWG NO.:
APPD	DATE <td>SIZE: A4</td> <td></td>	SIZE: A4	



PART NO	Material	Material(Pin)	Finish(Pin)	Suitable XKB Terminal
X2016WV-XXKS-4TSN	LCP UL 94V-0	Brass	Tin-Plated	X2016H

Poles	Dimensions (mm)			Poles	Dimensions (mm)		
	A	B	C		A	B	C
02	2.00	6.00	5.00	09	16.00	20.00	19.00
03	4.00	8.00	7.00	10	18.00	22.00	21.00
04	6.00	10.00	9.00	11	20.00	24.00	23.00
05	8.00	12.00	11.00	12	22.00	26.00	25.00
06	10.00	14.00	13.00	13	24.00	28.00	27.00
07	12.00	16.00	15.00	14	26.00	30.00	29.00
08	14.00	18.00	17.00	15	28.00	32.00	31.00

- ① Series No.**
 X2016 W V X-XX KS-4T SN XX
- ② Category:** W-WAFER
③ Welding Board Angle: V-Straight 180°
④ Welding Way: Blank-DIP
⑤ Row No.-Pin No.: XX-02P~20P
⑥ Plug the Pin & Special No.: K-With kink,S-With Post;
⑦ Material: 4T-PA4T 94V-0;
⑧ Plating Category: SN-Bright Tin Plating
⑨ Color: Blank-Natural Color;

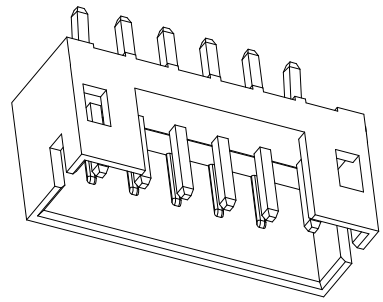
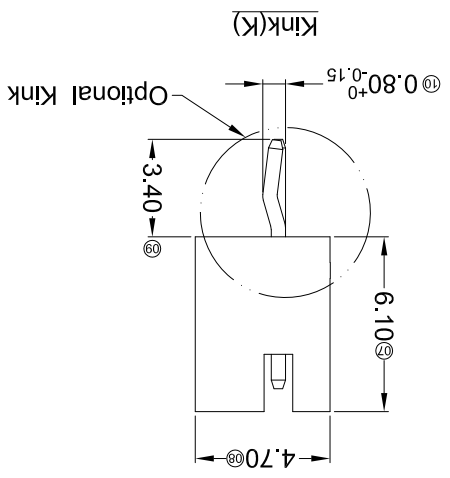
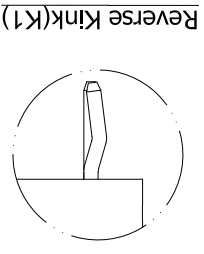
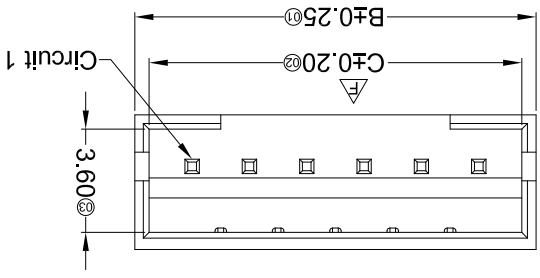
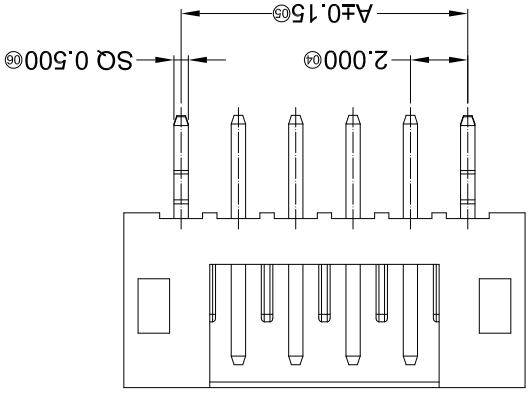
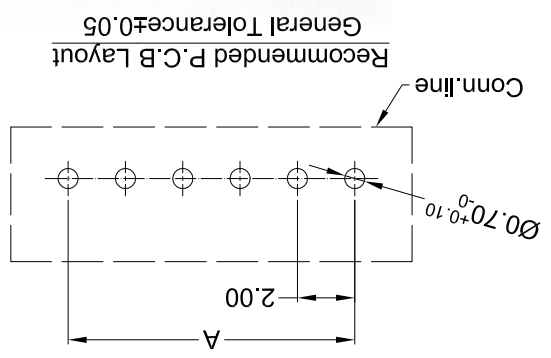
- Specifications :**
- Voltage rating: 100V AC / DC
 - Current rating: 2A AC / DC
 - Withstanding voltage: 800V AC/minute
 - Temperature range: -25°C~+85°C
 - Insulation resistance: ≥1000MΩ
 - Contact resistance: ≤10mΩ
 - After environmental testing: ≤20mΩ

For and on behalf of
XKB INDUSTRIAL PRECISION CO., LIMITED
 香港星坤工業精密有限公司

MARK	DESCRIPTION	REVISIONS			UNSPECIFIED TOLERANCES
		DATE	REVISED	APPROVED	
△X					L > 63 ±0.5
△X					16 > L ≤ 63 ±0.4
△X					4 < L ≤ 16 ±0.3
△X					L ≤ 4 ±0.2
					ANGULAR ±5°

REVISION		WEIGHT	XKB INDUSTRIAL PRECISION CO., LIMITED	
NO.	DESCRIPTION	1.0g	DATE	SIZE: A4
A0		1/1		

DNSD	DATE	SCALE: N/A	MODEL TYPE: X2016WV-XXKX-XXXXXX
DWN	DATE	VIEW:	PART NO.:
CHKD	DATE	UNIT: mm	DWG NO.:
APPD	DATE	DATE	2.00 mm Crimp Style Connectors



PART NO	Material	Material(Pin)	Finish(Pin)	Suitable XKB Terminal
X2016WV-XXKX-46SNVY	Nylon 46 UL 94V-0 Gray	Brass	Tin-Plated	X2016H
X2016WV-XXKX-N0V01	Nylon 66 UL 94V-0		Gold-Flash	
X2016WV-XXKX-N0SN	Nylon 66 UL 94V-0		Tin-Plated	

Poles	Dimensions (mm)			Poles	Dimensions (mm)		
	A	B	C		A	B	C
02	2.00	6.00	4.80	09	16.00	20.00	18.80
03	4.00	8.00	6.80	10	18.00	22.00	20.80
04	6.00	12.00	8.80	11	22.00	24.00	22.80
05	8.00	16.00	10.80	12	24.00	26.00	24.80
06	10.00	20.00	12.80	13	26.00	28.00	26.80
07	12.00	24.00	14.80	14	28.00	30.00	28.80
08	14.00	28.00	16.80	15	30.00	32.00	30.80

- ① Series No. X2016 W V X-XX KX -N0 SN XX
 ② Category: W-WAFER
 ③ Welding Board Angle: V-Straight 180°
 ④ Welding Way: Blank-DIP
 ⑤ Row No.-Pin No.: XX-02P~20P
 ⑥ Plug the Pin & Special No.: K-Kink ; K1-Reverse Kink ;
 ⑦ Material: 46 -PA46 94V-0 ; N0-PA66 94V-0
 ⑧ Plating Category: SN-Bright Tin Plating ; V01-Gold Flash
 ⑨ Color : Blank-Natural Color ; GY-Gray

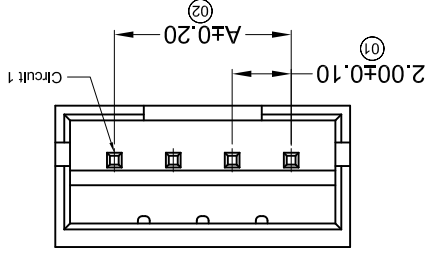
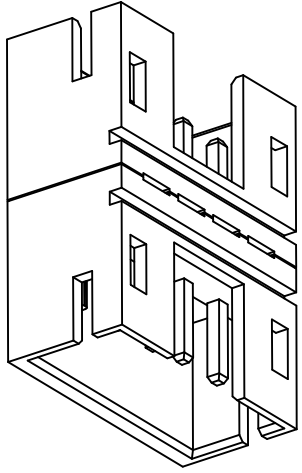
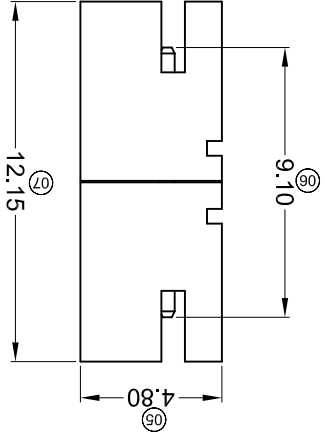
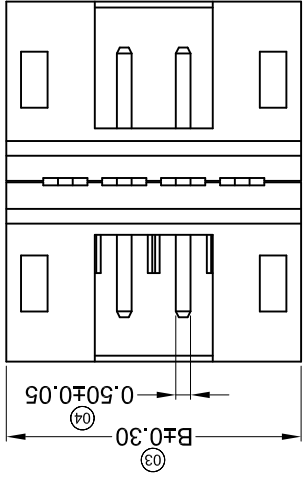
- Specifications :
- Voltage rating: 100V AC / DC
 - Current rating: 2A AC / DC
 - Withstanding voltage: 800V AC/minute
 - Temperature range: -25°C~+85°C
 - Insulation resistance: ≥1000MΩ
 - Contact resistance: ≤10mΩ
 - After environmental testing: ≤20mΩ

For and on behalf of
XKB INDUSTRIAL PRECISION CO., LIMITED
 香港星坤工業精密有限公司

MARK	DESCRIPTION	REVISIONS			UNSPECIFIED TOLERANCES	
		DATE	REVISED	APPROVED	L > 63	± 0.5
△ X					16 < L ≤ 63	± 0.4
△ X					4 < L ≤ 16	± 0.3
△ X					L ≤ 4	± 0.2
					ANGULAR	± 5°

XKB INDUSTRIAL PRECISION CO., LIMITED		WEIGHT		REVISION	
MODEL TYPE:	SCALE: N/A	DATE	DATE	1.0g	A0
2016WV-XXH2-N0SN					
PART NO.:	VIEW:	DATE	DATE	1/1	
2.00 mm Crimp Style Connector					
DWG NO.:	UNIT: mm	DATE	DATE		
SIZE: A4					

PART NO	Material	Material(Pin)	Finish(Pin)	Suitable XKB Terminal	Qty/Bag
X2016WV-XXH2-N0SN	Nylon 66 UL 94V-0	Brass	Tin-Plated	X2016H	1,000Pcs



Poles		Dimensions (mm)	
A	B	A	B
02	2.00	6.00	6.00
03	4.00	8.00	8.00
04	6.00	10.00	10.00
05	8.00	12.00	12.00
06	10.00	14.00	14.00
07	12.00	16.00	16.00
08	14.00	18.00	18.00
09	16.00	20.00	20.00
10	18.00	22.00	22.00
11	20.00	24.00	24.00
12	22.00	26.00	26.00
13	24.00	28.00	28.00
14	26.00	30.00	30.00
15	28.00	32.00	32.00
16	30.00	34.00	34.00
17	32.00	36.00	36.00
18	34.00	38.00	38.00
19	36.00	40.00	40.00
20	38.00	42.00	42.00

- X2016 W V X-XX H2-N0 SN XX
- ① Series No.
 - ② Category: W-WAFER
 - ③ Welding Board Angle: V-180°; R-90°
 - ④ Welding Way: Blank-DIP; S-SMT
 - ⑤ Row No.-Pin No.: XX-Single Row; 2*XX-Double Row
 - ⑥ Plug the Pin & Special No.: H2-Double sided insert
 - ⑦ Material: N0-PA66 94V-0; 6T-PA6T 94V-0; 46-PA46
 - ⑧ Plating Category: G**-Gold Plated Contact
 V**- All Gold-Plated
 01-Gold Flash 02-2u" 03-3u"
 05-5u" 10-10u" 15-15u"
 SN-Bright Tin Plating (70-120u")
 SN1-Bright Tin Plating (120u" Min).
 0-No Plating Material
 SW-Fog Tin Plating
 HS-Hight temperature Tin
 - ⑨ Color: Blank-Natural Color

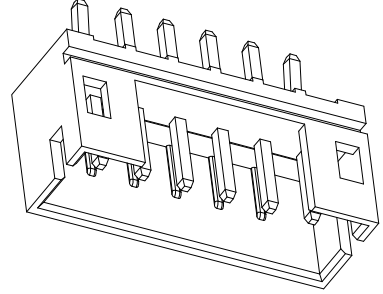
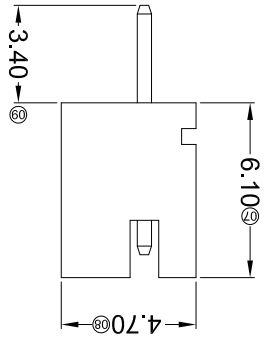
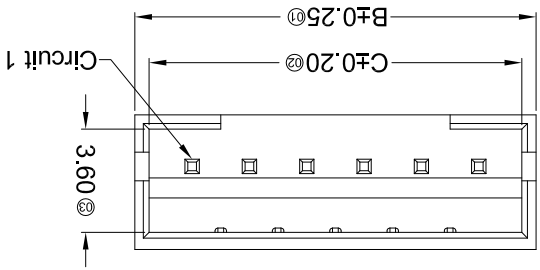
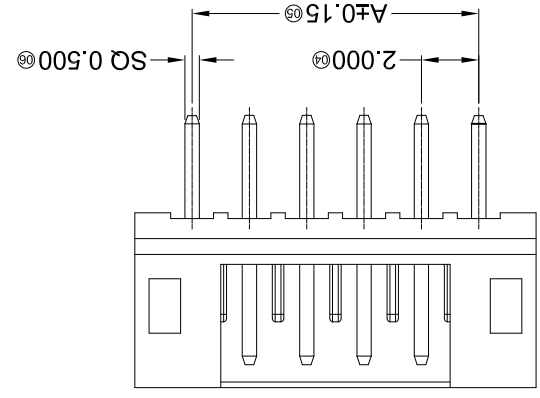
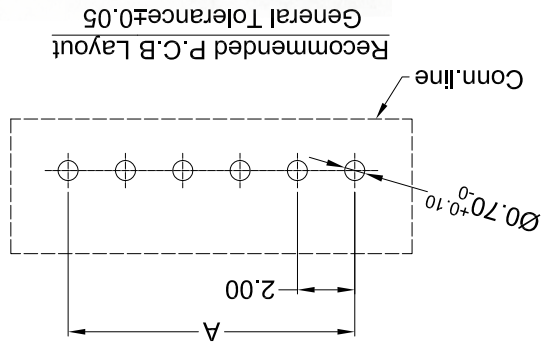
- Specifications :
- Voltage rating: 100V AC / DC
 - Current rating: 2A AC / DC
 - Withstanding voltage: 800V AC/minute
 - Temperature range: -25°C~+85°C
 - Insulation resistance: ≥1000MΩ
 - Contact resistance: ≤10mΩ
 - After environmental testing: ≤20mΩ

For and on behalf of
KXB INDUSTRIAL PRECISION CO., LIMITED
 香港星坤工業精密有限公司

MARK	DESCRIPTION	REVISIONS			UNSPECIFIED TOLERANCES
		DATE	REVISED	APPROVED	
△ X					L > 63
△ X					16 > L ≤ 63
△ X					4 < L ≤ 16
△ X					L ≤ 4
					ANGULAR
					± 5°

REVISION		WEIGHT		SHEET		REVISION	
A0		1.0g		1/1		A0	

MARK	DESCRIPTION	DATE	DATE	DATE	DATE
APPD	SIZE: A4				
CHKD	UNIT: mm				
DWN	VIEW:				
DSND	SCALE: N/A				



PART NO	Material	Material(Pin)	Finish(Pin)	Suitable XKB Terminal
X2016WV-XX-N0SN	Nylon 66 UL 94V-0	Brass	Tin-Plated	X2016H
X2016WV-XX-46SN	Nylon 46 UL 94V-0	Brass	Tin-Plated	
X2016WV-XX-6TSN	Nylon 6T UL94V-0			

Poles	Dimensions (mm)			Poles	Dimensions (mm)		
	A	B	C		A	B	C
02	2.00	6.00	5.00	09	16.00	20.00	19.00
03	4.00	8.00	7.00	10	18.00	22.00	21.00
04	6.00	10.00	9.00	11	20.00	24.00	23.00
05	8.00	12.00	11.00	12	22.00	26.00	25.00
06	10.00	14.00	13.00	13	24.00	28.00	27.00
07	12.00	16.00	15.00	14	26.00	30.00	29.00
08	14.00	18.00	17.00	15	28.00	32.00	31.00

- ① Series No. X2016 W V X-XX XX -N0 SN XX
- ② Category: W-WAFER
- ③ Welding Board Angle: V-Straight 180°
- ④ Welding Way: Blank-DIP
- ⑤ Row No.-Pin No.: XX-02P~20P
- ⑥ Plug the Pin & Special No.: Blank-Without Kink
- ⑦ Material: 46 -PA46 94V-0 ; N0-PA66 94V-0 ;
- ⑧ Plating Category: SN-Bright Tin Plating
- ⑨ Color : Blank-Natural Color ; GY-Gray

- Specifications :
- Voltage rating: 100V AC / DC
 - Current rating: 2A AC / DC
 - Withstanding voltage: 800V AC/minute
 - Temperature range: -25°C~+85°C
 - Insulation resistance: ≥1000MΩ
 - Contact resistance: ≤10mΩ
 - After environmental testing: ≤20mΩ

For and on behalf of
XKB INDUSTRIAL PRECISION CO., LIMITED
 香港星坤工業精密有限公司

MARK	DESCRIPTION	DATE	REVISED	APPROVED	UNSPECIFIED TOLERANCES
△ X					L > 63 ±0.5
△ X					16 < L ≤ 63 ±0.4
△ X					4 < L ≤ 16 ±0.3
					L ≤ 4 ±0.2
					ANGULAR ±5°

REVISIONS	DATE	APPROVED	DATE	SIZE
				A4

REVISION	SHEET	WEIGHT
A0	1/1	1.0g

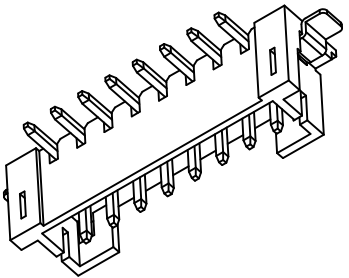
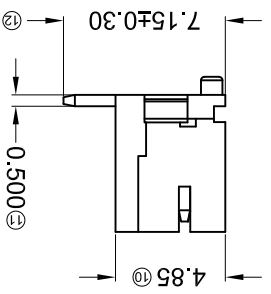
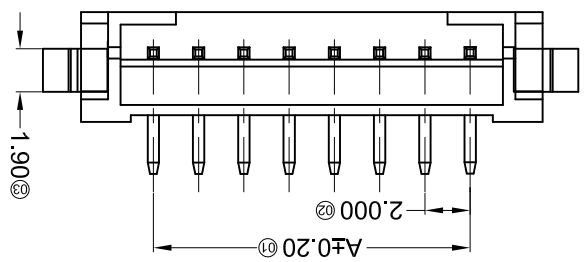
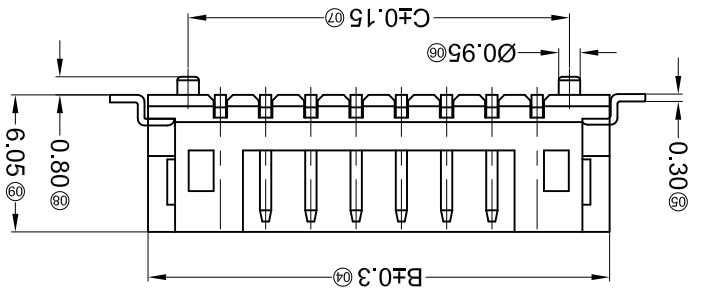
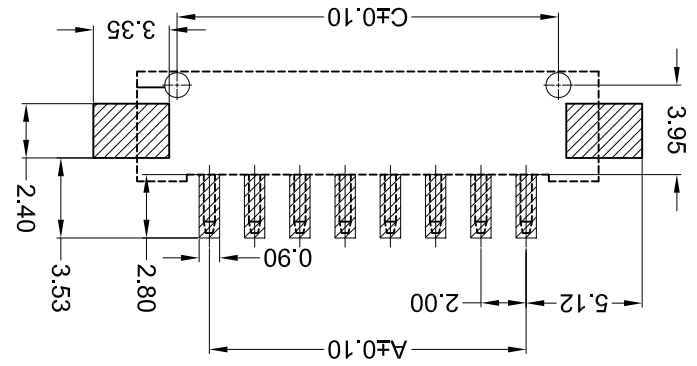
APPD	DATE	VIEW	SCALE	MODEL TYPE
			N/A	X2016WVS-XXS-46SN

CHKD	DATE	UNIT	PART NO.
		mm	2.00 mm Crimp Style Connectors

DWND	DATE	VIEW	SCALE	MODEL TYPE
			N/A	X2016WVS-XXS-46SN

DSND	DATE	SCALE	MODEL TYPE
		N/A	X2016WVS-XXS-46SN

Recommended P.C.B Layout
 General Tolerance ±0.05



PART NO	Material	Dimensions (mm)		Poles
		A	B	
X2016WVS-XXS-46SN	PA46 UL 94V-0	14.00	20.40	16
	Brass	12.00	18.40	14
	Material (Pin and Solder Tabs)	10.00	16.40	13
	Material (Pin and Solder Tabs)	8.00	14.40	12
	Thin-Plated	6.00	12.40	11
		4.00	10.40	10
		2.00	8.40	9

Part No	Material	Material (Pin and Solder Tabs)	Thin-Plated	Suitable XKB Terminal
X2016H	PA46 UL 94V-0	Brass	Thin-Plated	Suitable XKB Terminal

- ① Series No. X2016 W V S-XX S -46 SN XX
- ② Category: W-WAFER
- ③ Welding Board Angle: V-Straight 180°
- ④ Welding Way: S-SMT
- ⑤ Row No.-Pin No.: XX-02P~20P
- ⑥ Plug the Pin & Special No.:
- ⑦ S-With positioning column
- ⑧ Material: 46 -PA46 94V-0;
- ⑨ Plating Category: SN-Bright Tin Plating
- ⑩ Color: Blank-Natural Color

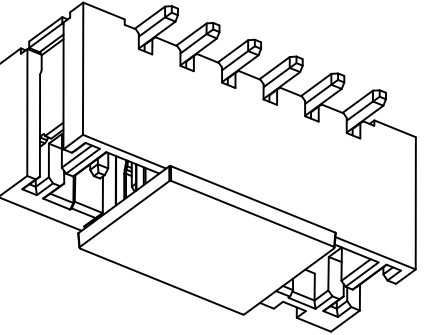
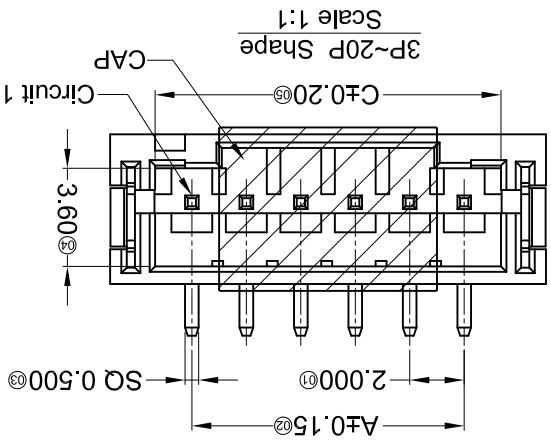
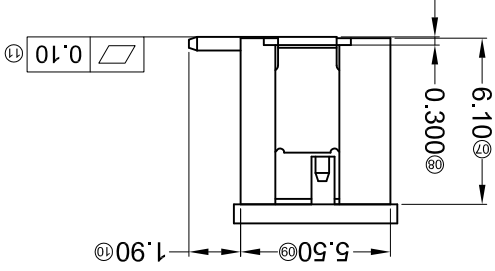
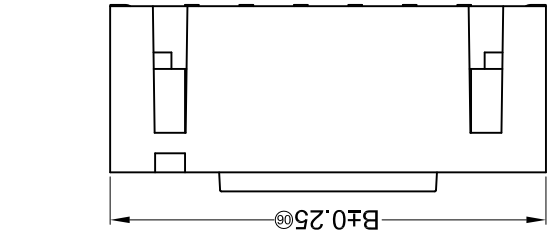
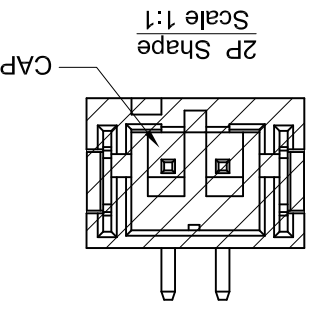
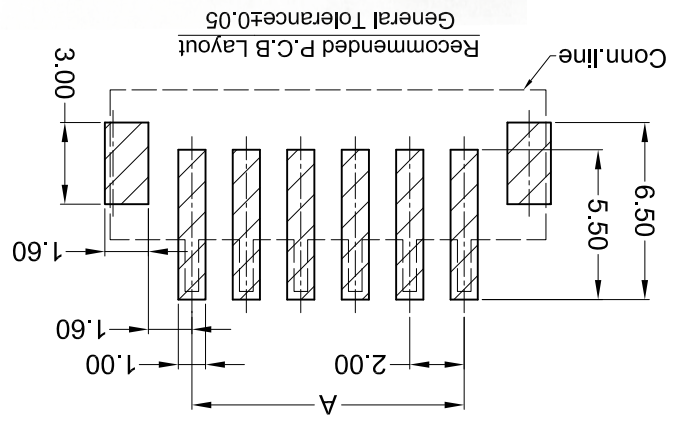
- Specifications:
- Voltage rating: 100V AC / DC
 - Current rating: 2A AC / DC
 - Withstanding voltage: 800V AC/minute
 - Temperature range: -25°C~+85°C
 - Insulation resistance: ≥1000MΩ
 - Contact resistance: ≤10mΩ
 - After environmental testing: ≤20mΩ

For and on behalf of
XKB INDUSTRIAL PRECISION CO., LIMITED
 香港星坤工業精密有限公司

REVISIONS
 Authorized Signatures(s)

MARK	DESCRIPTION	DATE	REVISED	APPROVED	UNSPECIFIED TOLERANCES
△ X					L > 63
△ X					16 > L ≤ 63
△ X					4 < L ≤ 16
△ X					L ≤ 4
					ANGULAR
					±5°

DATE	SCALE: N/A	MODEL TYPE:	2016WVS-XX-XXXXXXX
DNSD	DATE	VIEW:	PART NO.:
DWN	DATE	UNIT: mm	DWG NO.:
CHKD	DATE	SIZE: A4	REVISION
APPD	DATE	WEIGHT	SHEET
		1.0g	1/1
			AO



Series No.	①	②	③	④	⑤	⑥	⑦	⑧	⑨
02	2.00	4.00	6.00	8.00	10.00	12.00	14.00	16.00	18.00
03	4.00	8.00	12.00	16.00	20.00	24.00	28.00	32.00	36.00
04	6.00	12.00	18.00	24.00	30.00	36.00	42.00	48.00	54.00
05	8.00	16.00	24.00	32.00	40.00	48.00	56.00	64.00	72.00
06	10.00	20.00	30.00	40.00	50.00	60.00	70.00	80.00	90.00
07	12.00	24.00	36.00	48.00	60.00	72.00	84.00	96.00	108.00
08	14.00	28.00	42.00	56.00	70.00	84.00	98.00	112.00	126.00

PART NO	Material	Material(Fin)	Finish(Fin)	Material(Solder Tabs)	Material(Solder Tabs)	Finish(Fin)	Suitable XKB Terminal
X2016WVS-XX-9TWS	PA9T UL 94V-0	Tin-Plated	Gold-Flash	Phosphor Bronze	Gold-Flash	Tin-Plated	X2016H
X2016WVS-XX-9TV01	LCP UL 94V-0	Tin-Plated	Gold-Flash	Phosphor Bronze	Gold-Flash	Tin-Plated	X2016H
X2016WVS-XX-LPWS	LCP UL 94V-0	Tin-Plated	Gold-Flash	Phosphor Bronze	Gold-Flash	Tin-Plated	X2016H
X2016WVS-XX-LPWSHF	LCP UL 94V-0	Tin-Plated	Gold-Flash	Phosphor Bronze	Gold-Flash	Tin-Plated	X2016H

- Specifications :
- Voltage rating: 100V AC / DC
 - Current rating: 2A AC / DC
 - Withstanding voltage: 800V AC/minute
 - Temperature range: -25°C~+85°C
 - Insulation resistance: ≥1000MΩ
 - Contact resistance: ≤10mΩ
 - After environmental testing: ≤20mΩ

- Series No.
- Category: W-WAFER
- Welding Board Angle: V-Straight 180°
- Welding Way: S-SMT
- Row No-Pin No.: XX-02P~20P
- Plug the Pin & Special No.
- Material: LP-LCP 94V-0; 9T-PA9T 94V-0
- Plating Category: SW-Matte Tin Plating; V01- Gold Flash
- Color: HF-Halogen Free;

X2016 W V S-XX X-XX XXX XX

For and on behalf of
KXB INDUSTRIAL PRECISION CO., LIMITED
 香港星坤工業精密有限公司

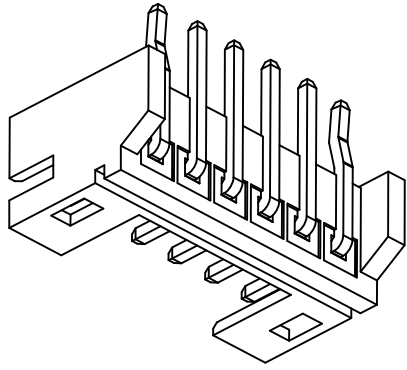
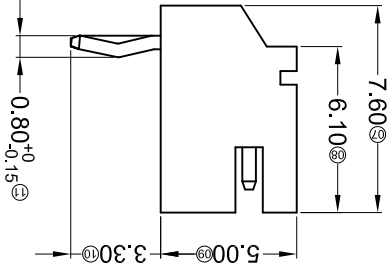
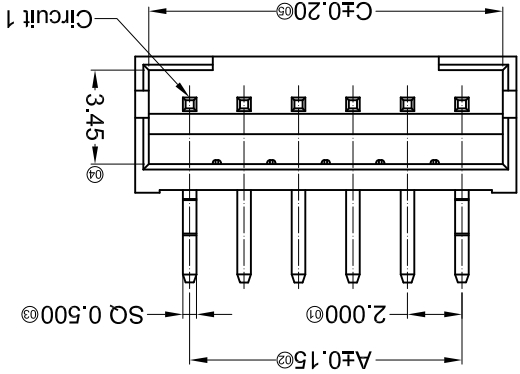
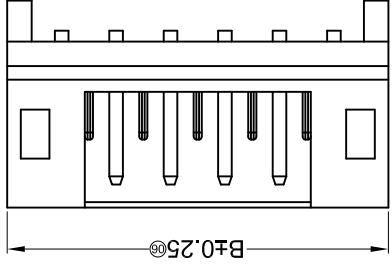
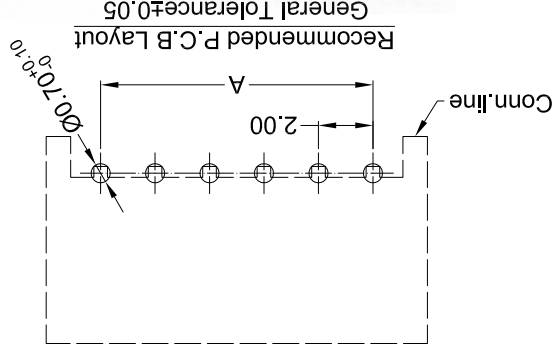
MARK	DESCRIPTION	DATE	REVISD	APPROVED	UNSPECIFIED TOLERANCES
△ X					L > 63
△ X					16 > L ≤ 63
△ X					4 < L ≤ 16
△ X					L ≤ 4
					ANGULAR
					±5°

REVISIONS	DATE	REVISD	APPROVED	UNSPECIFIED TOLERANCES
				L > 63
				16 > L ≤ 63
				4 < L ≤ 16
				L ≤ 4
				ANGULAR
				±5°

DATE	SCALE: N/A	MODEL TYPE:	2016WR-XXK-N0SN
DWNDN	VIEW:	PART NO.:	2016WR-XXK-N0SN
CHKD	UNIT: mm	DWG NO.:	
APPD	DATE	SIZE: A4	
	DATE		

DATE	SCALE: N/A	MODEL TYPE:	2016WR-XXK-N0SN
DWNDN	VIEW:	PART NO.:	2016WR-XXK-N0SN
CHKD	UNIT: mm	DWG NO.:	
APPD	DATE	SIZE: A4	
	DATE		

WEIGHT	SHEET	REVISION
1.0g	1/1	A0



PART NO	Material	Material (Pn)	Finish (Pn)	Suitable XKB Terminal
X2016WR-XXK-N0SN	Nylon 66 UL 94V-0	Brass	Tin-Plated	X2016H

① Series No.	② Category: W-WAFER	③ Welding Board Angle: R-Right Angle 90°	④ Welding Way: Blank-DIP	⑤ Row No.-Pin No.: XX-02P~20P	⑥ Plug the Pin & Special No.: K-kink, DIP=3.30mm	⑦ Material: N0-PA66 94V-0	⑧ Plating Category: SN-Right Tin Plating	⑨ Color: Blank-Natural Color;			
02	2.00	6.00	5.00	09	16.00	20.00	19.00	16	30.00	34.00	33.00
03	4.00	8.00	7.00	10	18.00	22.00	21.00	17	32.00	36.00	35.00
04	6.00	10.00	9.00	11	20.00	24.00	23.00	18	34.00	38.00	37.00
05	8.00	12.00	11.00	12	22.00	26.00	25.00	19	36.00	40.00	39.00
06	10.00	14.00	13.00	13	24.00	28.00	27.00	20	38.00	42.00	41.00
07	12.00	16.00	15.00	14	26.00	30.00	29.00				
08	14.00	18.00	17.00	15	28.00	32.00	31.00				

X2016 W R X-XX K -N0 SN XX

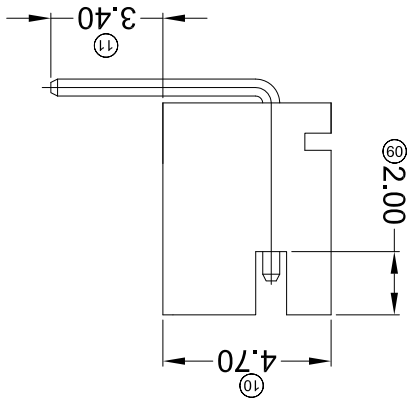
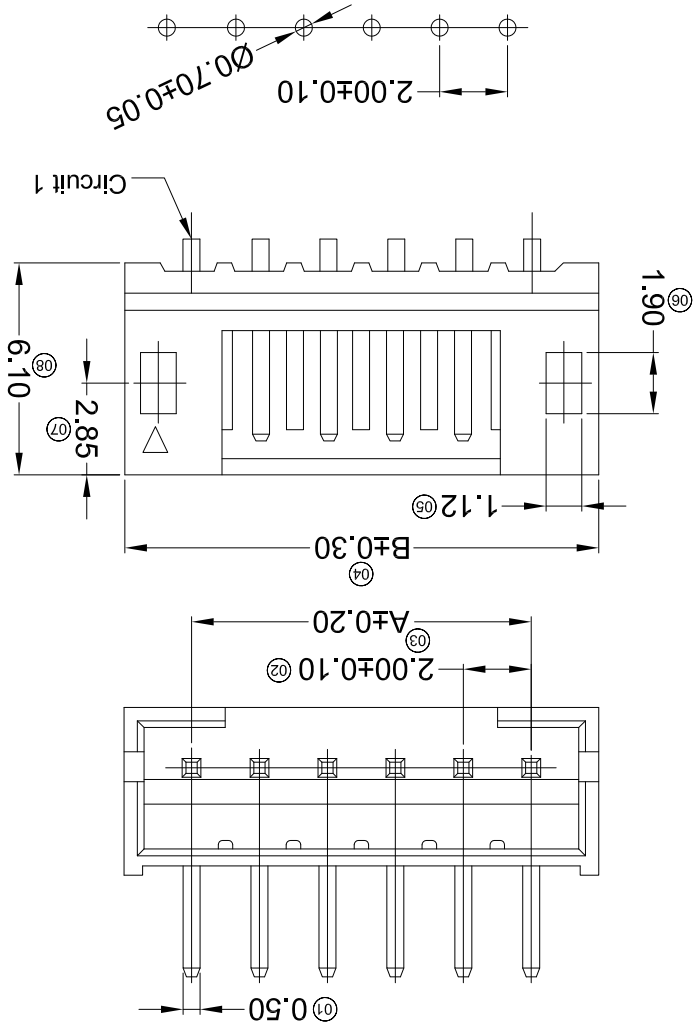
- Voltage rating: 100V AC / DC
- Current rating: 2A AC / DC
- Withstanding voltage: 800V AC/minute
- Temperature range: -25°C~+85°C
- Insulation resistance: ≥1000MΩ
- Contact resistance: ≤10mΩ
- After environmental testing: ≤20mΩ

For and on behalf of
XKB INDUSTRIAL PRECISION CO., LIMITED
香港星坤工業精密有限公司

MARK	DESCRIPTION	DATE	REVISED	APPROVED	UNSPECIFIED TOLERANCES
△ X					L > 63 ±0.5
△ X					16 < L ≤ 63 ±0.4
△ X					4 < L ≤ 16 ±0.3
△ X					L ≤ 4 ±0.2
					ANGULAR ±5°

REVISIONS	XKB INDUSTRIAL PRECISION CO., LIMITED	
DATE	APPD	DATE
REVISED	CHKD	DATE
APPROVED	DWN	DATE
	DSND	DATE

Recommend PCB Layout



PART NO	Material	Material(Pin)	Finish(Pin)	Suitable XKB Terminal	Q'ty/Bag
X2016WR-XXB-N0SN	Nylon 66 UL 94V-0	Brass	Tin-Plated	XZ016H	1,000Pcs

Poles	A	B	Dimensions (mm)
02	2.00	6.00	
03	4.00	8.00	
04	6.00	10.00	
05	8.00	12.00	
06	10.00	14.00	
07	12.00	16.00	
08	14.00	18.00	
09	16.00	20.00	
10	18.00	22.00	
11	20.00	24.00	
12	22.00	26.00	
13	24.00	28.00	
14	26.00	30.00	
15	28.00	32.00	
16	30.00	34.00	
17	32.00	36.00	
18	34.00	38.00	
19	36.00	40.00	
20	38.00	42.00	

- ① Series No.
- ② Category: W-WAFER
- ③ Welding Board Angle: V-180°; R-90°
- ④ Welding Way: Blank-DIP; S-SMT
- ⑤ Row No.-Pin No.: XX-Single Row; 2*XX-Double Row
- ⑥ Plug the Pin & Special No.:
- ⑦ Material: NO -PA66 94V-0
- ⑧ Plating Category: G**-Gold Plated Contact
- V** - All Gold-Plated
- 01-Gold Flash 02-2u" 03-3u"
- 05-5u" 10-10u" 15-15u"
- SN-Bright Tin Plating (70-120u")
- SN1-Bright Tin Plating (120u" Min).
- 0-No Plating Material
- SW-Fog Tin Plating
- HS-Hight temperature Tin
- ⑨ Color: Blank-Natural Color

- Specifications :
- Voltage rating: 100V AC / DC
 - Current rating: 2A AC / DC
 - Withstanding voltage: 800V AC/minute
 - Temperature range: -25°C~+85°C
 - Insulation resistance: ≥1000MΩ
 - Contact resistance: ≤10mΩ
 - After environmental testing: ≤20mΩ

For and on behalf of
XKB INDUSTRIAL PRECISION CO., LIMITED
 香港星坤工業精密有限公司
 REVISIONS
 Authorized Signatures(s)

MARK	DESCRIPTION	DATE	REVISED	APPROVED	UNSPECIFIED TOLERANCES
△ X					L > 63
△ X					16 > L ≤ 63
△ X					4 < L ≤ 16
△ X					L ≤ 4
					ANGULAR ±5°

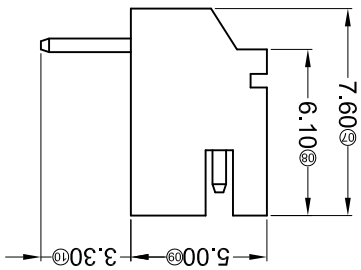
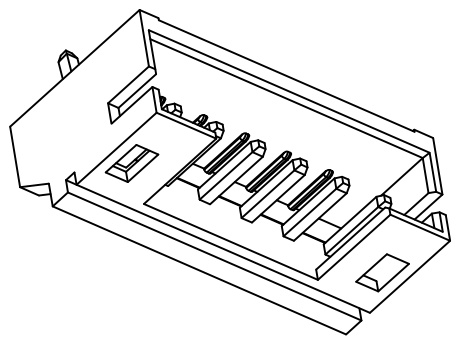
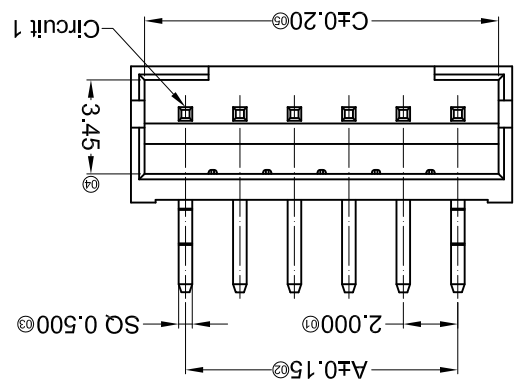
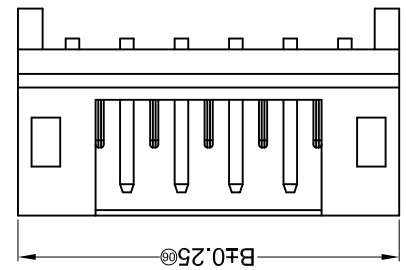
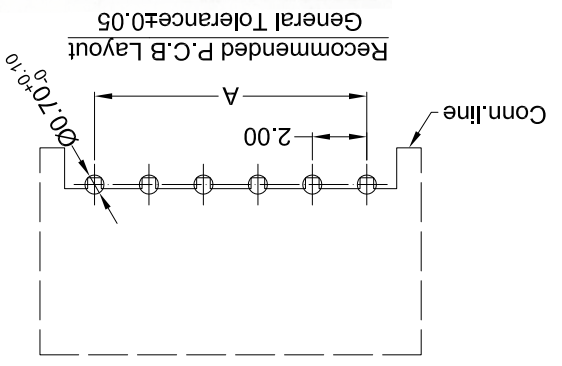
REVISION	SHEET	WEIGHT	1.0g	8
A0	1/1			

DATE	SCALE: N/A	MODEL TYPE:	2016WR-XX-NOSN

DATE	VIEW:	PART NO.:	2016WR-XX-NOSN

DATE	UNIT: mm	DWG NO.:	2.00 mm Crimp Style Connectors

DATE	SIZE: A4	REVISION	A0



PART NO	Material	Material(Pin)	Finish(Pin)	Suitable XKB Terminal
X2016WR-XX-NOSN	Nylon 66 UL 94V-0	Brass	Tin-Plated	X2016H

Poles	Dimensions (mm)		
	A	B	C
02	2.00	6.00	5.00
03	4.00	8.00	7.00
04	6.00	10.00	9.00
05	8.00	12.00	11.00
06	10.00	14.00	13.00
07	12.00	16.00	15.00
08	14.00	18.00	17.00

Poles	Dimensions (mm)		
	A	B	C
02	30.00	34.00	33.00
03	36.00	36.00	35.00
04	38.00	38.00	37.00
05	40.00	40.00	39.00
06	42.00	42.00	41.00

- ① Series No.
- ② Category: W-WAFER
- ③ Welding Board Angle: R-Right Angle 90°
- ④ Welding Way: Blank-DIP
- ⑤ Row No.-Pin No.: XX-02P~20P
- ⑥ Plug the Pin & Special No.: Blank-Without kink
- ⑦ Material: NO-PA66 94V-0
- ⑧ Plating Category: SN-Bright Tin Plating
- ⑨ Color: Blank-Natural Color;

X2016 W R X-XX XX -N0 SN XX
 ① ② ③ ④ ⑤ ⑥ ⑦ ⑧ ⑨

- Specifications :
- Voltage rating: 100V AC / DC
 - Current rating: 2A AC / DC
 - Withstanding voltage: 800V AC/minute
 - Temperature range: -25°C~+85°C
 - Insulation resistance: ≥100MΩ
 - Contact resistance: ≤10mΩ
 - After environmental testing: ≤20mΩ

For and on behalf of
XKB INDUSTRIAL PRECISION CO., LIMITED
 香港星坤工業精密有限公司

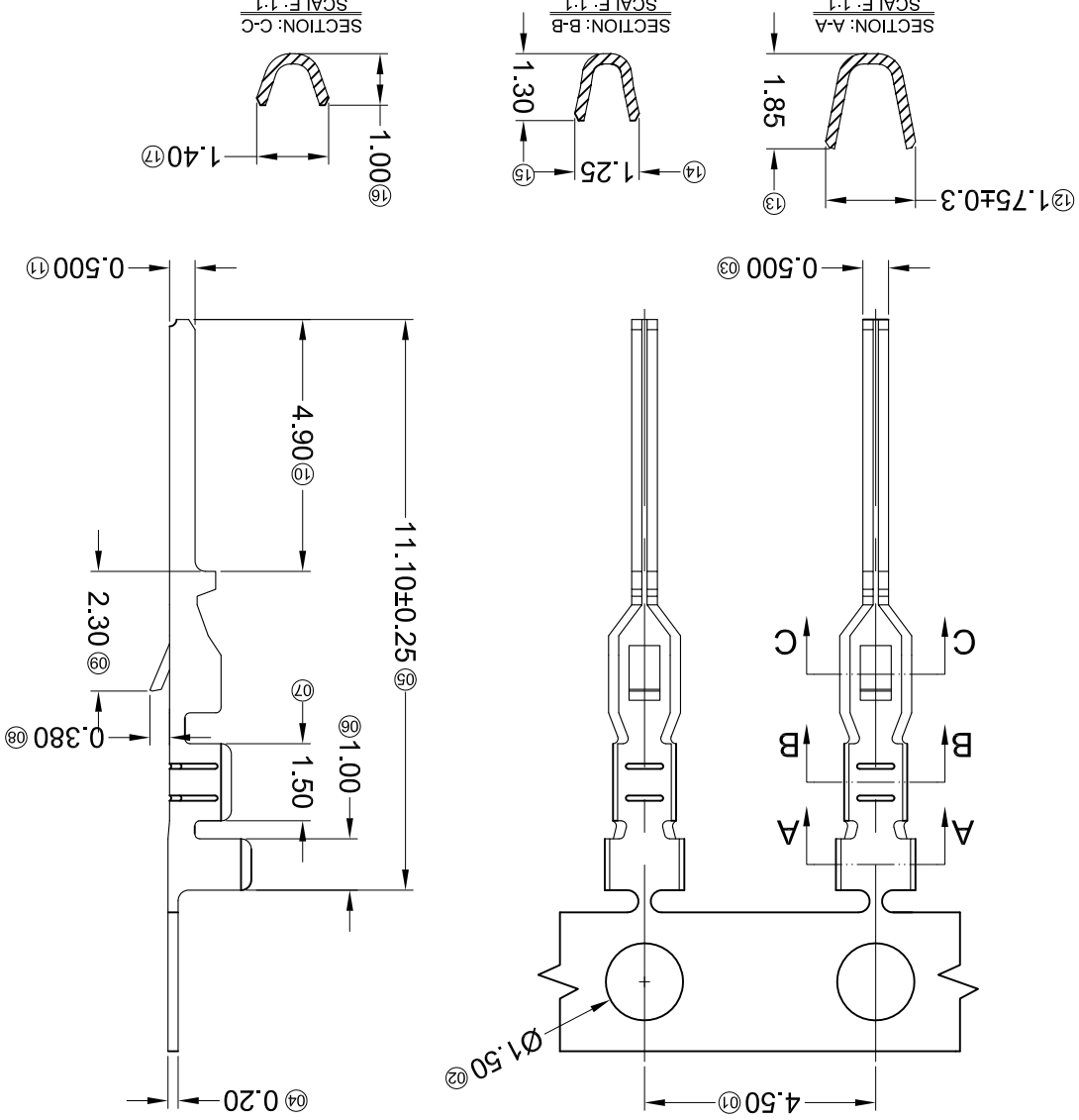
MARK	DESCRIPTION	DATE	REVISED	APPROVED	UNSPECIFIED TOLERANCES
△ X					L > 63 ± 0.5
△ X					16 < L ≤ 63 ± 0.4
△ X					4 < L ≤ 16 ± 0.3
△ X					L ≤ 4 ± 0.2
					ANGULAR ± 5°

REVISIONS
 Authorized Signature(s)

DSND	DATE	SCALE: N/A	MODEL TYPE: X2016TM-PSN
DWN	DATE <td>VIEW: </td> <td>PART NO.: 2.00 mm Crimp Style Connectors</td>	VIEW:	PART NO.: 2.00 mm Crimp Style Connectors
CHKD	DATE <td>UNIT: mm</td> <td>DWG NO.:</td>	UNIT: mm	DWG NO.:
APPD	DATE <td>SIZE: A4</td> <td>WEIGHT: 1.0g</td>	SIZE: A4	WEIGHT: 1.0g
			SHEET: 1/1
			REVISION: A0

8
7
6
5
4
3
2
1

PART NO	Material	Wire Range	Insulation O.D.	Finish	Suitable XKB Terminal
X2016TM-PSN	Phosphor Bronze	AWG#26-28	1.30mm(Max)	Stamping Before plating:30u" MIN, Nt.70u"Sn	X2016HF
					Suitable XKB Terminal



- **Specifications :**
- Voltage rating: 100V AC / DC
 - Current rating: 2A AC / DC
 - Withstanding voltage: 800V AC/minute
 - Temperature range: -25°C~+85°C
 - Insulation resistance: $\geq 1000M\Omega$
 - Contact resistance: $\leq 10m\Omega$
 - After environmental testing: $\leq 20m\Omega$

X2016 T M-P SN X - X

① ② ③ ④ ⑤ ⑥ ⑦

- ① Series Number
- ② Category: T-terminal
- ③ Shape: M-Male
- ④ Material: P-Phosphor bronze
- ⑤ Plating style: SN-Bright tin plating
- ⑥ Plating method: Blank-Stamping before plating
- ⑦ Mold No./Mark/Special No.

8
7
6
5
4
3
2
1

F
E
D
C
B
A

8
7
6
5
4
3
2
1

For and on behalf of
KXB INDUSTRIAL PRECISION CO., LIMITED
 香港星坤工業精密有限公司

MARK	DESCRIPTION	DATE	REVISED	APPROVED	UNSPECIFIED TOLERANCES
△ X					L > 63 ± 0.5
△ X					16 < L ≤ 63 ± 0.4
△ X					4 < L ≤ 16 ± 0.3
△ X					L ≤ 4 ± 0.2
					ANGULAR ± 5°

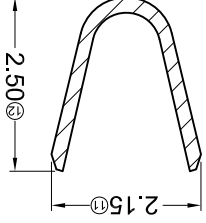
REVISIONS
 Authorized Signature(s)

REVISION	SHEET	WEIGHT	DATE	DATE	DATE	DATE
A0	1/1	1.0g				

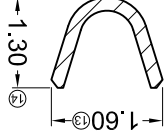
KXB INDUSTRIAL PRECISION CO., LIMITED	SIZE: A4	DATE	DATE	DATE	DATE
	UNIT: mm	DATE	DATE	DATE	DATE
	VIEW:	DATE	DATE	DATE	DATE
	SCALE: N/A	DATE	DATE	DATE	DATE

MODEL TYPE: X2016T-P-XXXX	PART NO.:	2.00 mm Crimp Style Connectors	DWG NO.:
	APPD		
	CHKD		
	DWN		
	DSND		

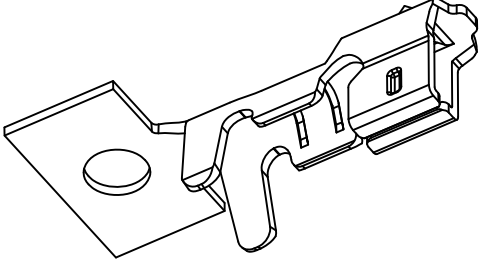
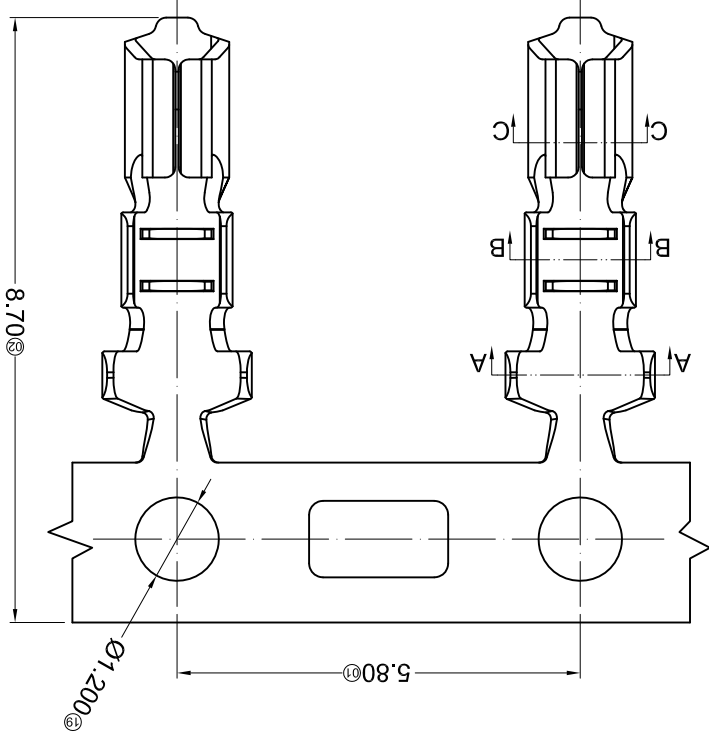
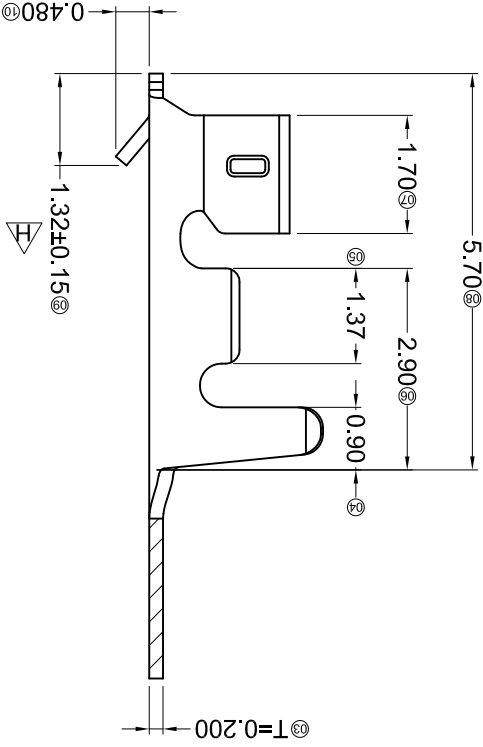
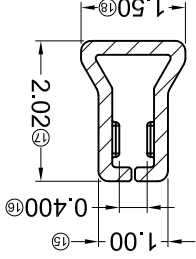
SECTION: A-A
 SCALE: 1:1



SECTION: B-B
 SCALE: 1:1



SECTION: C-C
 SCALE: 1:1



- Specifications :
- Voltage rating: 100V AC / DC
 - Current rating: 2A AC / DC
 - Withstanding voltage: 800V AC/minute
 - Temperature range: -25°C~+85°C
 - Insulation resistance: ≥1000MΩ
 - Contact resistance: ≤10mΩ
 - After environmental testing: ≤20mΩ
- X2016 T X-P XXX X - X
- Series Number
 - Category: T-terminal
 - Shape: Blank-ordinary
 - Material: P-Phosphor bronze
 - Plating style: V01-Gold Flash ; SN-Bright tin plating
 - Plating method: Blank-stamping before plating
 - B-Plating before stamping
 - Mold No./Mark/Special No.

XPART NO	Material	Wire Range	Insulation O.D.	Finish	XPART NO
X2016T-PV01	Phosphor Bronze	AWG#24-30	1.50mm(Max)	Stamping Before plating:30u" MIN. Nf. 70u"Sn	X2016T-P-PSN
				Whole Gold ;Gold Flash	
				Stamping Before plating:10u" MIN. Nf. : 30u"Sn	X2016H
				Stamping Before plating:30u" MIN. Nf. Suitable XKB Terminal	

For and on behalf of
KXB INDUSTRIAL PRECISION CO., LIMITED
 香港星坤工業精密有限公司

REVISIONS
 Authorized Signatures(s)

MARK	DESCRIPTION	DATE	REVISED	APPROVED	UNSPECIFIED TOLERANCES
△ X					L > 63 ± 0.5
△ X					16 < L ≤ 63 ± 0.4
△ X					4 < L ≤ 16 ± 0.3
△ X					L ≤ 4 ± 0.2
					ANGULAR ± 5°

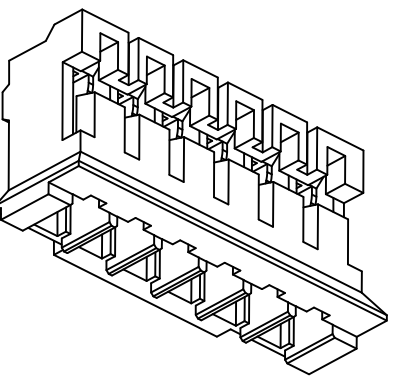
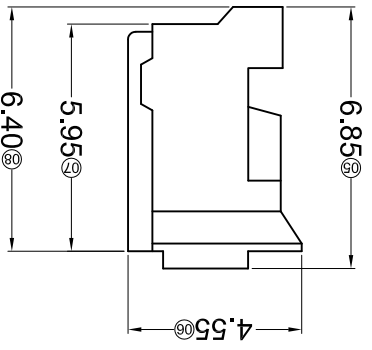
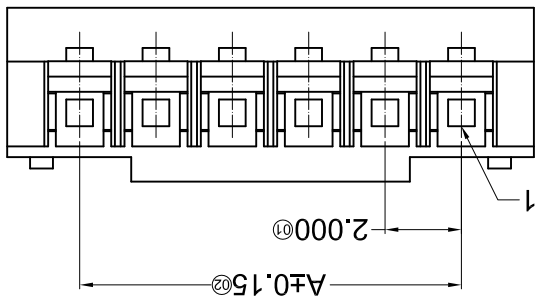
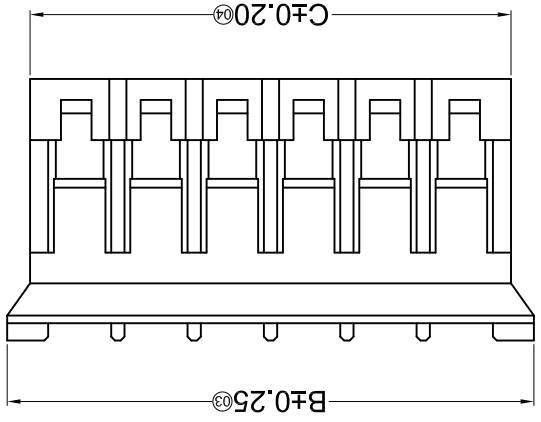
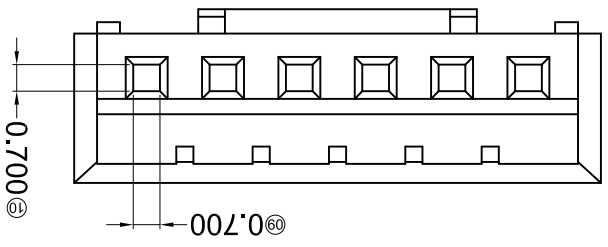
REVISION	SHEET	WEIGHT	1/1	1.0g	8
AO					

DSND	DATE	SCALE: N/A	MODEL TYPE: X2016H-XX-N0XX

DWN	DATE	VIEW:	PART NO.:

CHKD	DATE	UNIT: mm	DWG NO.:
			2.00mm Crimp Style Connectors

APPD	DATE	SIZE: A4



PART NO	Material	Suitable XKB Terminal	Suitable XKB Terminal
X2016H-XX-N0	Nylon 66 UL 94V-0		Suitable XKB Terminal
X2016H-XX-N0HF	PA66 UL 94V-0 Halogen Free	X2016T	
X2016H-XX-N0C	Nylon 66 UL 94V-0		X2016W

Poles	Dimensions (mm)		
	A	B	C
02	2.00	5.80	4.60
03	4.00	7.80	6.60
04	6.00	9.80	8.60
05	8.00	11.80	10.60
06	10.00	13.80	12.60
07	12.00	15.80	14.60
08	14.00	17.80	16.60
09	16.00	19.80	18.60
10	18.00	21.80	20.60
11	20.00	23.80	22.60

- ① Series No.
 X2016 H X-XX X-N0 HF-C
- ② Category: H-HSG
 ③ Appearance type: Blank-Ordinary
 ④ Row No.-Pin No.: XX-02P~20P
 ⑤ Plug the Pin & special No.: Blank-Ordinary
 ⑥ Material: N0-PA66 94V-0
 ⑦ HF-Halogen Free
 ⑧ C-Glowing Filament ;

- Specifications :
- Voltage rating: 100V AC / DC
 - Current rating: 2A AC / DC
 - Withstanding voltage: 800V AC/minute
 - Temperature range: -25°C~+85°C
 - Insulation resistance: ≥1000MΩ
 - Contact resistance: ≤10mΩ
 - After environmental testing: ≤20mΩ

For and on behalf of
XKB INDUSTRIAL PRECISION CO., LIMITED
 香港星坤工業精密有限公司

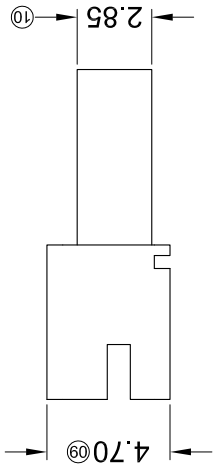
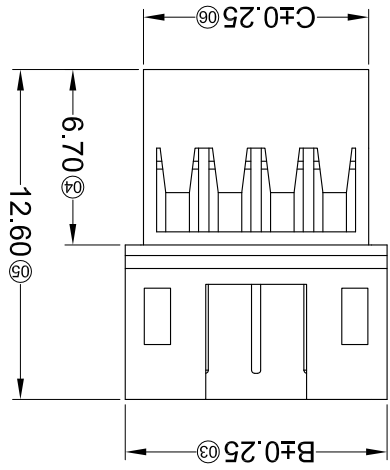
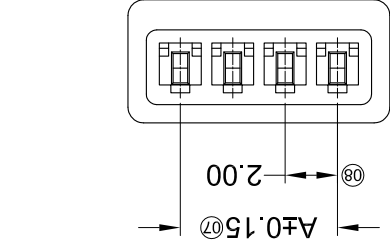
MARK	DESCRIPTION	DATE	REVISD	APPROVED	UNSPECIFIED TOLERANCES
△ X					L > 63
△ X					16 < L ≤ 63
△ X					4 < L ≤ 16
					L ≤ 4
					ANGULAR
					± 5°

REVISION	SHEET	WEIGHT	DATE	DATE	DATE	DATE
A0	1/1	1.0g				

XKB INDUSTRIAL PRECISION CO., LIMITED

DNSD	SCALE: N/A	DATE	DATE	DATE	DATE
DWN	VIEW:	DATE	DATE	DATE	DATE
CHKD	UNIT: mm	DATE	DATE	DATE	DATE
APPD	SIZE: A4	DATE	DATE	DATE	DATE

PART NO.: X2016HF-XX-N0XX
 MODEL TYPE: X2016HF-XX-N0XX
 PART NO.: 2.0mm Crimp Style Connectors
 DWG NO.:



PART NO	Material	Suitable XKB Terminal	Suitable XKB Terminal
X2016HF-XX-N0	Nylon 66 UL 94V-0	X2016TM	Suitable XKB Terminal
X2016HF-XX-N0BK	Nylon 66 UL 94V-0 Black	X2016TM	Suitable XKB Terminal

Poles	Dimensions (mm)		
	A	B	C
02	2.00	6.00	4.60
03	4.00	8.00	6.60
04	6.00	10.00	8.60
05	8.00	12.00	10.60
06	10.00	14.00	12.60
07	12.00	16.00	14.60
08	14.00	18.00	16.60
09	16.00	20.00	18.60
10	18.00	22.00	20.60
11	20.00	24.00	22.60

- ① Series No.
- ② Category: H-HSG
- ③ Welding Board Angle: F-Female HSG
- ④ Row No.-Pin No.: XX-02P~20P
- ⑤ Plug the Pin & special No.:
- ⑥ Material: N0-PA66 94V-0;
- ⑦ Color: Blank-natural color; BK-Black

X2016 H F-XX X-N0 XX

- Specifications :
- Voltage rating: 125V AC / DC
 - Current rating: 1A AC / DC
 - Withstanding voltage: 250V AC/minute
 - Temperature range: -25°C~+85°C
 - Insulation resistance: ≥100MΩ
 - Contact resistance: ≤20mΩ
 - After environmental testing: ≤40mΩ

X-ON Electronics

Largest Supplier of Electrical and Electronic Components

Click to view similar products for [Headers & Wire Housings](#) category:

Click to view products by [XKB](#) manufacturer:

Other Similar products are found below :

[95000-104TRLF](#) [10135584-644402LF](#) [DF62W-EP2022PCA](#) [95000-106TRLF](#) [DF62W-2022SCA](#) [DF62W-EP2022PC](#) [2203348](#) [DF62W-2022SC](#) [1084018](#) [1029039](#) [1084017](#) [802-10-012-10-002000](#) [1112640](#) [1112639](#) [891-007-9SS-BST1T](#) [000-34000](#) [0008550134](#) [0009482033](#) [0009507031](#) [57102-F02-18ULF](#) [57102-S06-03LF](#) [57202-S52-04LF](#) [PCN6-15S-2.5E](#) [0039019024](#) [58102-G61-06LF](#) [582553-1](#) [0009485154](#) [0009508121](#) [0022285053](#) [0050291907](#) [018731A](#) [LY20-4P-DT1-P1E-BR](#) [02.125.8002.8](#) [60101931](#) [60598-1 \(Cut Strip\)](#) [M1625-3R/100](#) [61062-3](#) [61082-181009](#) [CSU011177004](#) [636-1427](#) [638009-1](#) [641938-9](#) [641991-4](#) [644168-1](#) [644827-2](#) [647662-1](#) [65039-019ELF](#) [65692-001LF](#) [65781-018](#) [65781-047](#)