

For and on behalf of
XKB INDUSTRIAL PRECISION CO., LIMITED
 香港星坤工業精密有限公司

Revisions (Authorized Signatures)

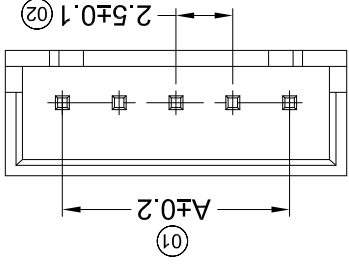
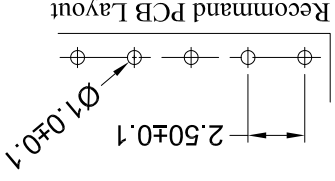
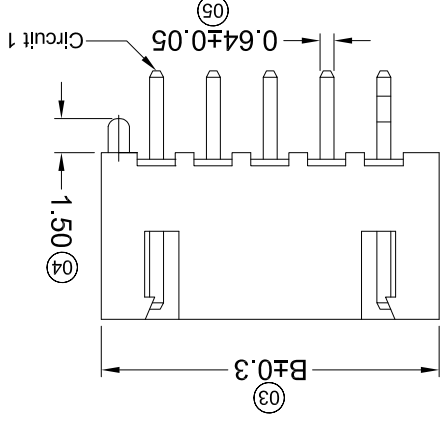
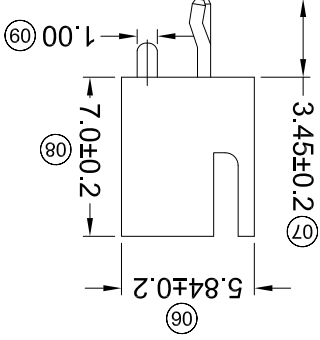
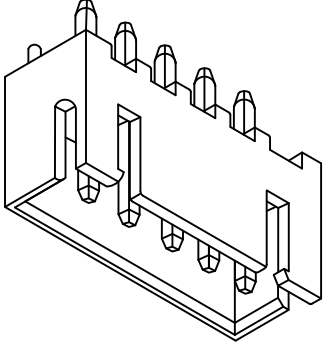
MARK	DESCRIPTION	DATE	REVISED	APPROVED	UNSPECIFIED TOLERANCES
△X					L > 63 ±0.5
△X					16 > L ≤ 63 ±0.4
△X					4 < L ≤ 16 ±0.3
					L ≤ 4 ±0.2
					ANGULAR ±5°

DATE	SCALE: N/A	MODEL TYPE:
		X8821WV-XXKS-N0SN
DATE	VIEW:	PART NO.:
		2.50 mm Crimp style Connector
DATE	UNIT: mm	DWG NO.:
DATE	SIZE: A4	REVISION
		1/1
DATE	WEIGHT	A0
	1.0g	

PART NO	Material	Material(Pin)	Finish(Pin)	Suitable XKB Terminal
X8821WV-XXKS-N0SN	Nylon 66 UL 94V-0	Brass	Tin-Plated	X8821H

Dimensions (mm)	A	B
02	2.50	7.50
03	5.00	10.00
04	7.50	12.50
05	10.00	15.00
06	12.50	17.50
07	15.00	20.00
08	17.50	22.50
09	20.00	25.00
10	22.50	27.50
11	25.00	30.00
12	27.50	32.50
13	30.00	35.00
14	32.50	37.50
15	35.00	40.00
16	37.50	42.50
17	40.00	45.00
18	42.50	47.50
19	45.00	50.00
20	47.50	52.50

- ① Series No. X8821 W V X-XX KS -N0 SN XX
- ② Category: W-WAFER
- ③ Welding Board Angle: V-180° ; R-90°
- ④ Welding Way: Blank-DIP ; S-SMT
- ⑤ Row No.-Pin No.: XX-Single Row ; 2*XX-Double Row
- ⑥ Plug the Pin & Special No.: Blank-Without Kink ; K-With Kink
- ⑦ Material: N0 -PA66 94V-0
S-With Post
- ⑧ Plating Category: G**-Gold Plated Contact
V**- All Gold-Plated
01-Gold Flash 02-2u" 03-3u"
05-5u" 10-10u" 15-15u"
SN-Bright Tin Plating (70u")
SN1-Bright Tin Plating (120u" Min).
0-No Plating Material
SW- Fog Tin Plating
HS-Hight temperature Tin
- ⑨ Color : Blank-Natural Color ;



- Specifications :
- Voltage rating: 250V AC / DC
 - Current rating: 3A AC / DC
 - Withstanding voltage: 1000V AC/minute
 - Temperature range: -25°C~+85°C
 - Insulation resistance: ≥1000MΩ
 - Contact resistance: ≤10mΩ
 - After environmental testing: ≤20mΩ

For and on behalf of
XKB INDUSTRIAL PRECISION CO., LIMITED

香港星坤工業精密有限公司

MARK	DESCRIPTION	DATE	REVISIONS	UNSPECIFIED TOLERANCES
△X				ANGULAR ±5°
△X				L ≤ 4 ±0.2
△X				4 < L ≤ 16 ±0.3
△X				16 < L ≤ 63 ±0.4
				L > 63 ±0.5

Authorized Signature(s)

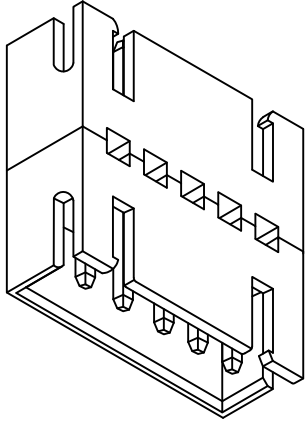
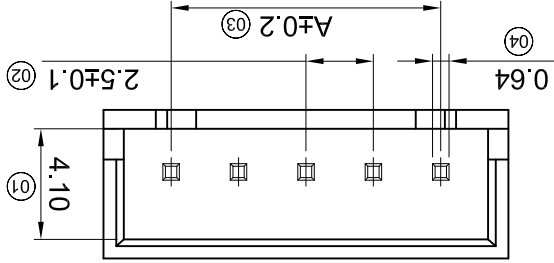
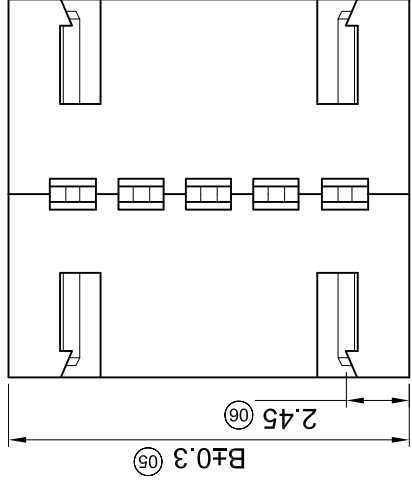
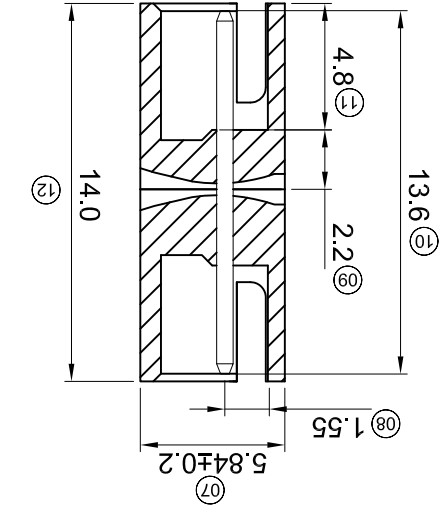
REVISION	SHEET	WEIGHT	REVISION
A0	1/1	1.0g	

DATE	SCALE: N/A	VIEW:	DATE	DWN	DATE	CHKD	DATE	APPD
		VIEW:						
		UNIT: mm						
		SIZE: A4						

PART NO	Material	Material(Pin)	Finish(Pin)	Suitable XKB Terminal
X8821WV-XXHX2-N0SN	Nylon 66 UL 94V-0	Brass	Tin-Plated	X8821H

Dimensions (mm)	A	B
02	2.50	7.50
03	5.00	10.00
04	7.50	12.50
05	10.00	15.00
06	12.50	17.50
07	15.00	20.00
08	17.50	22.50
09	20.00	25.00
10	22.50	27.50
11	25.00	30.00
12	27.50	32.50
13	30.00	35.00
14	32.50	37.50
15	35.00	40.00
16	37.50	42.50
17	40.00	45.00
18	42.50	47.50
19	45.00	50.00
20	47.50	52.50

- X8821 W V X-XX H2 -N0 XX XX
- ① Series No.
 - ② Category: W-WAFER
 - ③ Welding Board Angle: V-180° ; R-90°
 - ④ Welding Way: Blank-DIP ; S-SMT
 - ⑤ Row No.-Pin No.: XX-Single Row ; 2*XX-Double Row
 - ⑥ Plug the Pin & Special No.: H2-Double-Faced Wafer
 - ⑦ Material: N0 -PA66 94V-0
 - ⑧ Plating Category: G**-Gold Plated Contact
 - V**- All Gold-Plated
 - 01-Gold Flash 02-2u" 03-3u"
 - 05-5u" 10-10u" 15-15u"
 - SN-Bright Tin Plating (70u")
 - SN1-Bright Tin Plating (120u" Min).
 - 0-No Plating Material
 - SW-Fog Tin Plating
 - HS-Hight temperature Tin
 - ⑨ Color : Blank-Natural Color ;



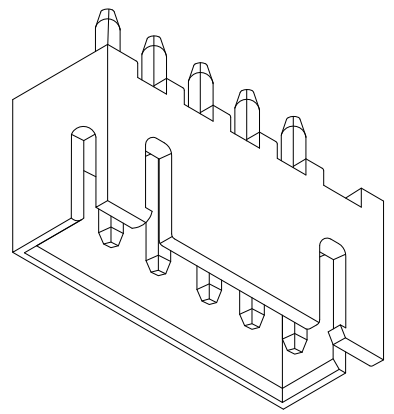
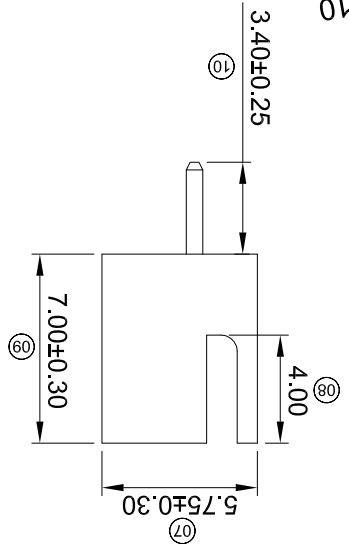
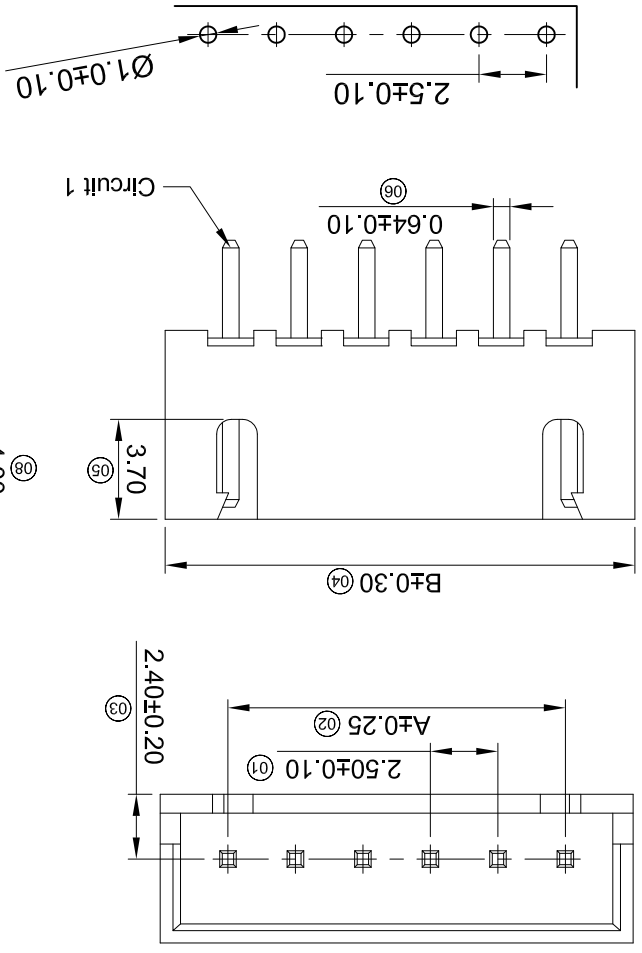
- Specifications :
- Voltage rating: 250V AC / DC
 - Current rating: 3A AC / DC
 - Withstanding voltage: 1000V AC/minute
 - Temperature range: -25°C~+85°C
 - Insulation resistance: ≥1000MΩ
 - Contact resistance: ≤10mΩ
 - After environmental testing: ≤20mΩ

For and on behalf of
XKB INDUSTRIAL PRECISION CO., LIMITED
 香港星坤工業精密有限公司
 REVISIONS SIGNATURE(S)

MARK	DESCRIPTION	DATE	REVISED	APPROVED	UNSPECIFIED TOLERANCES
△X					±0.5
△X					L > 63 16 < L ≤ 63
△X					L ≤ 4 4 < L ≤ 16
					L ≤ 4 ±0.2
					ANGULAR ±5°

REVISION	SHEET	WEIGHT	XKB INDUSTRIAL PRECISION CO., LIMITED			
A0	1/1	1.0g	DATE	DATE	DATE	DATE
			SCALE: N/A	VIEW:	PART NO.: X8821WV-XX-N0XX	DWG NO.: 2.50 mm Crimp style Connector
			MODEL TYPE: X8821WV-XX-N0XX			

Recommend PCB Layout



- ① Series No.**
 X8821 W V X-XX X-N0 XX XX
- ② Category:** W-WAFER
- ③ Welding Board Angle:** V-180° ; R-90°
- ④ Welding Way:** Blank-DIP ; S-SMT
- ⑤ Row No.-Pin No.:** XX-Single Row ; 2*XX-Double Row
- ⑥ Plug the Pin & Special No.:**
- ⑦ Material:** N0-PA66 94V-0
- ⑧ Plating Category:** G**-Gold Plated Contact
 V**- All Gold-Plated
 01-Gold flash 02-2u" 03-3u"
 05-5u" 10-10u" 15-15u"
 SN-Bright Tin Plating (70u")
 SN-1-Bright Tin Plating (120u" Min).
 0-No Plating Material
 SW-Fog Tin Plating
 HS-Hight temperature Tin
- ⑨ Color:** Blank-Natural Color ;

Dimensions (mm)	A	B
02	2.50	7.50
03	5.00	10.00
04	7.50	12.50
05	10.00	15.00
06	12.50	17.50
07	15.00	20.00
08	17.50	22.50
09	20.00	25.00
10	22.50	27.50
11	25.00	30.00
12	27.50	32.50
13	30.00	35.00
14	32.50	37.50
15	35.00	40.00
16	37.50	42.50
17	40.00	45.00
18	42.50	47.50
19	45.00	50.00
20	47.50	52.50

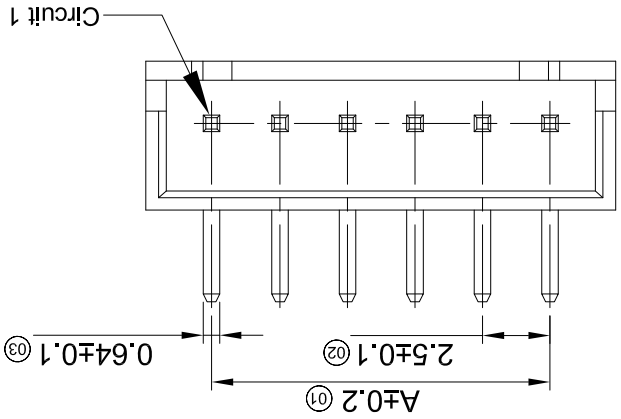
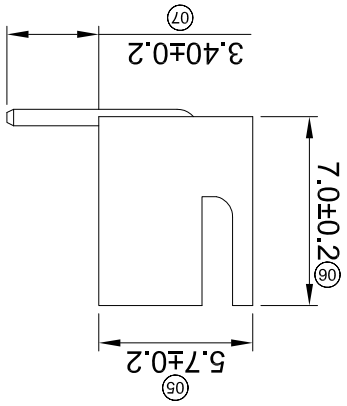
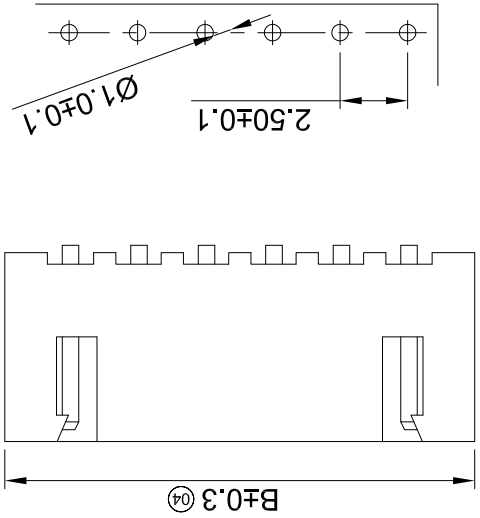
- Specifications :**
- Voltage rating: 250V AC / DC
 - Current rating: 3A AC / DC
 - Withstanding voltage: 1000V AC/minute
 - Temperature range: -25°C~+85°C
 - Insulation resistance: ≥1000MΩ
 - Contact resistance: ≤10mΩ
 - After environmental testing: ≤20mΩ

For and on behalf of
KXB INDUSTRIAL PRECISION CO., LIMITED
 香港星坤工業精密有限公司

MARK	DESCRIPTION	DATE	REVISED	APPROVED	UNSPECIFIED TOLERANCES	
					L > 63	± 0.5
△ X					16 < L ≤ 63	± 0.4
△ X					4 < L ≤ 16	± 0.3
△ X					L ≤ 4	± 0.2
					ANGULAR	± 5°

REVISIONS		WEIGHT		KXB INDUSTRIAL PRECISION CO., LIMITED	
NO.	DESCRIPTION	1.0g	SHEET	SIZE: A4	DATE
A0	REVISION	1/1			

Recommend PCB Layout



PART NO	Material	Material(Pin)	Finish(Pin)	Suitable XKB Terminal
X8821WR-XXS-N0SN	Nylon 66 UL 94V-0	Brass	Tin-Plated	X8821H

Dimensions (mm)	A	B
02	2.50	7.50
03	5.00	10.00
04	7.50	12.50
05	10.00	15.00
06	12.50	17.50
07	15.00	20.00
08	17.50	22.50
09	20.00	25.00
10	22.50	27.50
11	25.00	30.00
12	27.50	32.50
13	30.00	35.00
14	32.50	37.50
15	35.00	40.00
16	37.50	42.50
17	40.00	45.00
18	42.50	47.50
19	45.00	50.00
20	47.50	52.50

- ① Series No.**
 X8821 W R X-XX S-N0 SN XX
- ② Category:** W-WAFER
- ③ Welding Board Angle:** V-180°; R-90°
- ④ Welding Way:** Blank-DIP; S-SMT
- ⑤ Row No.-Pin No.:** XX-Single Row; 2*XX-Double Row
- ⑥ Plug the Pin & Special No.:** S-No Positioning
- ⑦ Material:** N0 -PA66 94V-0
- ⑧ Plating Category:** G**-Gold Plated Contact
 V**- All Gold-Plated
 01-1u" 02-2u" 03-3u"
 05-5u" 10-10u" 15-15u"
 SN-Bright Tin Plating (70u")
 SN1-Bright Tin Plating (120u" Min).
 0-No Plating Material
 SW-Fog Tin Plating
 HS-Hight temperature Tin
- ⑨ Color:** Blank-Natural Color

- Specifications:**
- Voltage rating: 250V AC / DC
 - Current rating: 3A AC / DC
 - Withstanding voltage: 1000V AC/minute
 - Temperature range: -25°C~+85°C
 - Insulation resistance: ≥1000MΩ
 - Contact resistance: ≤10mΩ
 - After environmental testing: ≤20mΩ

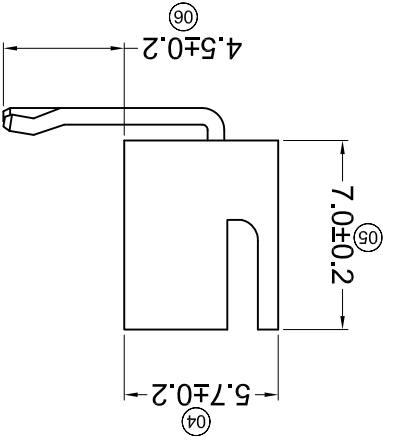
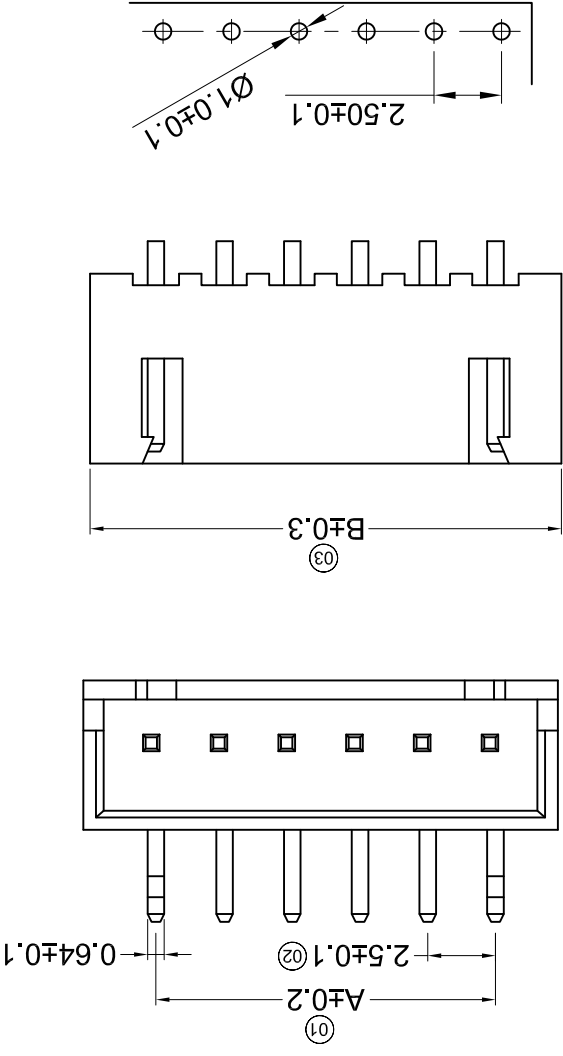
For and on behalf of
KXB INDUSTRIAL PRECISION CO., LIMITED
 香港星坤工業精密有限公司

Revisions - *Unauthorized Signatures(s)*

MARK	DESCRIPTION	DATE	REVISED	APPROVED	UNSPECIFIED TOLERANCES
△ X					L > 63 ± 0.5
△ X					16 < L ≤ 63 ± 0.4
△ X					4 < L ≤ 16 ± 0.3
△ X					L ≤ 4 ± 0.2
					ANGULAR ± 5°

REVISION	SHEET	WEIGHT	SIZE: A4	DATE	DATE	DATE	DATE	DATE
A0	1/1	1.0g						

Recommend PCB Layout



PART NO	Material	Material(Pin)	Finish(Pin)	Suitable XKB Terminal
X8821WR-XXKS-N0SN	Nylon 66 UL 94V-0	Brass	Tin-Plated	X8821H

Dimensions (mm)	A	B
02	2.50	7.50
03	5.00	10.00
04	7.50	12.50
05	10.00	15.00
06	12.50	17.50
07	15.00	20.00
08	17.50	22.50
09	20.00	25.00
10	22.50	27.50
11	25.00	30.00
12	27.50	32.50
13	30.00	35.00
14	32.50	37.50
15	35.00	40.00
16	37.50	42.50
17	40.00	45.00
18	42.50	47.50
19	45.00	50.00
20	47.50	52.50

- X8821 W R X-XX KS -N0 SN XX**
- ① Series No.
 - ② Category : W-WAFER
 - ③ Welding Board Angle : V-180° ; R-90°
 - ④ Welding Way : Blank-DIP ; S-SMT
 - ⑤ Row No.-Pin No. : XX-Single Row ; 2*XX-Double Row
 - ⑥ Plug the Pin & Special No. : KS- With Kink and No Positioning
 - ⑦ Material : N0 -PA66 94V-0
 - ⑧ Plating Category : G*-Gold Plated Contact
 V*- All Gold-Plated
 01-Gold Flash 02-2u" 03-3u"
 05-5u" 10-10u" 15-15u"
 SN-Bright Tin Plating (70u")
 SN1-Bright Tin Plating (120u" Min).
 - ⑨ 0-No Plating Material
 SW-Fog Tin Plating
 HS-Hight temperature Tin
 - ⑩ Color : Blank-Natural Color ;

- Specifications :**
- Voltage rating: 250V AC / DC
 - Current rating: 3A AC / DC
 - Withstanding voltage: 1000V AC/minute
 - Temperature range: -25°C~+85°C
 - Insulation resistance: ≥1000MΩ
 - Contact resistance: ≤10mΩ
 - After environmental testing: ≤20mΩ

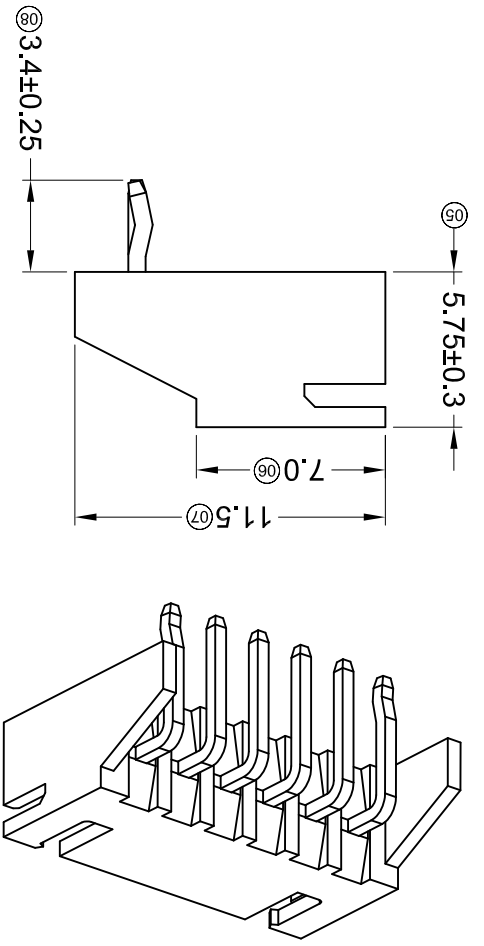
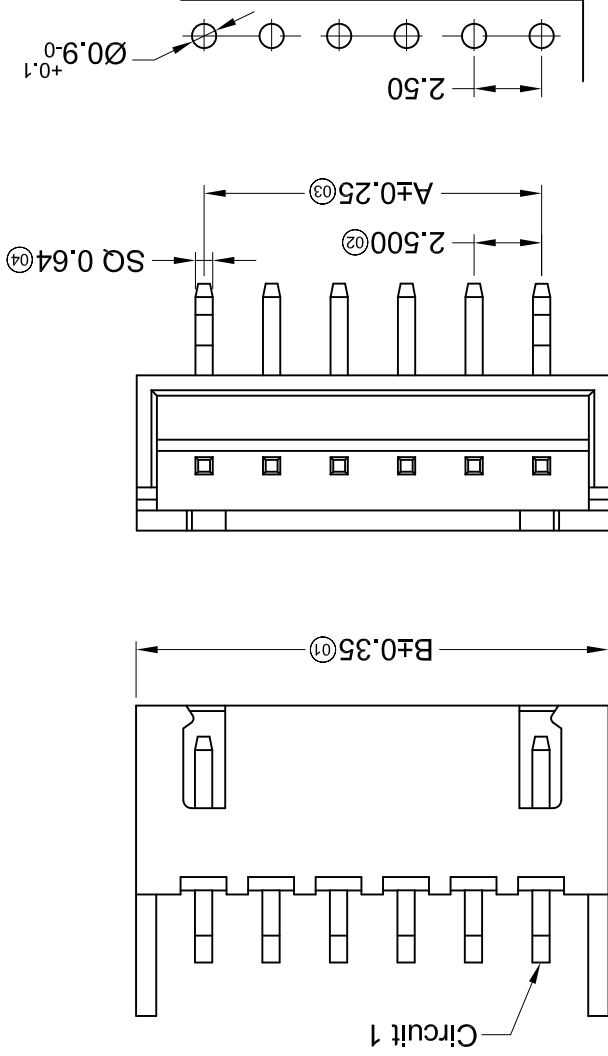
For and on behalf of
XKB INDUSTRIAL PRECISION CO., LIMITED
 香港星坤工業精密有限公司

Authorized Signatures

MARK	DESCRIPTION	DATE	REVISED	APPROVED	UNSPECIFIED TOLERANCES
△X					L > 63 ± 0.5
△X					16 < L ≤ 63 ± 0.4
△X					4 < L ≤ 16 ± 0.3
					L ≤ 4 ± 0.2
					ANGULAR ± 5°

DATE	SCALE: N/A	MODEL TYPE: X8821WR-XXK-NOSN	DWNSD	DATE	VIEW:	PART NO.: 2.50mm Crimp style Connector	DWGS NO.:	SIZE: A4
			CHKD	DATE	UNIT: mm			
			APPD	DATE				

Recommended P.C.B Layout
 General Tolerance ±0.05



PART NO	Material	Material(Pin)	Finish(Pin)	Suitable XKB Terminal
X8821WR-XXK-NOSN	Nylon 66 UL 94V-0	Brass	Tin-Plated	X8821H

Poles	Dimensions(mm)		Poles	Dimensions(mm)	
	A	B		A	B
02	2.50	7.50	12	27.50	32.50
03	5.00	10.00	13	30.00	35.00
04	7.50	12.50	14	32.50	37.50
05	10.00	15.00	15	35.00	40.00
06	12.50	17.50	16	37.50	42.50
07	15.00	20.00	17	40.00	45.00
08	17.50	22.50	18	42.50	47.50
09	20.00	25.00	19	45.00	50.00
10	22.50	27.50	20	47.50	52.50
11	25.00	30.00			

X8821 W R X-XX K -N0 SN XX
 ① ② ③ ④ ⑤ ⑥ ⑦ ⑧ ⑨

- ① Series No.
- ② Category: W-WAFER
- ③ Welding Board Angle: R-Right Angle 90°
- ④ Welding Way: Blank-DIP;
- ⑤ Row No.-Pin No.: XX-Single Row;
- ⑥ Plug the Pin & Special No.: K-KINK
- ⑦ Material: NO -PA66 94V-0
- ⑧ Plating Category: SN-Bright Tin Plating
- ⑨ Color: Blank-Natural Color

- Specifications:
- Voltage rating: 250V AC / DC
 - Current rating: 3A AC / DC
 - Withstanding voltage: 1000V AC/minute
 - Temperature range: -25°C~+85°C
 - Insulation resistance: ≥1000MΩ
 - Contact resistance: ≤10mΩ
 - After environmental testing: ≤20mΩ

REVISIONS		APPROVED		REVISED		DATE	
MARK	DESCRIPTION						
△X							
△X							
△X							

UNSPECIFIED TOLERANCES

±0.5	L > 63
±0.4	16 < L ≤ 63
±0.3	4 < L ≤ 16
±0.2	L ≤ 4
±5°	ANGULAR

REVISIONS SIGNATURE(S)

For and on behalf of
KXB INDUSTRIAL PRECISION CO., LIMITED
 香港星坤工業精密有限公司

MODEL TYPE:	X8821WR-XX-N0SN
SCALE: N/A	
DATE	
DWNS	DATE
VIEW:	
UNIT: mm	
DATE	
CHKD	DATE
APPD	DATE
SIZE: A4	
WEIGHT	1.0g
SHEET	1/1
REVISION	A0

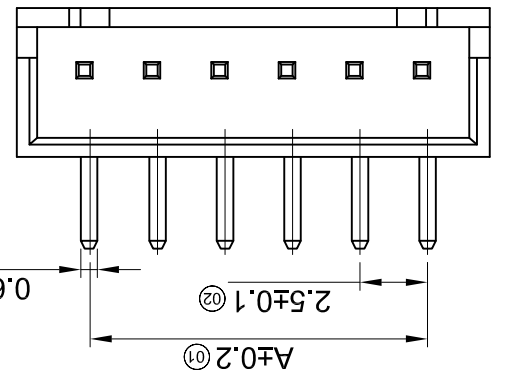
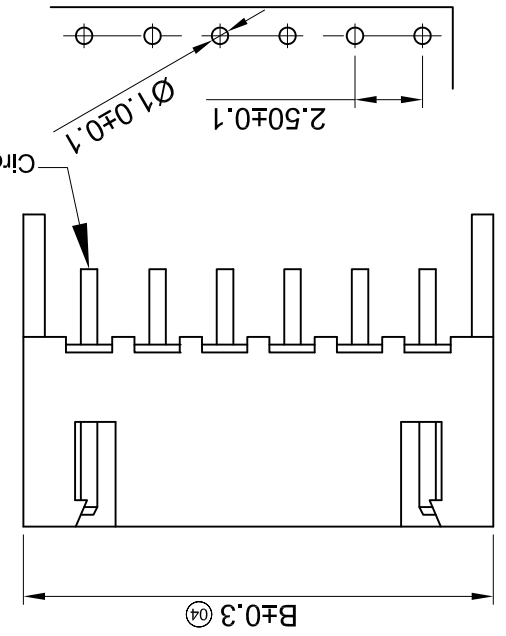
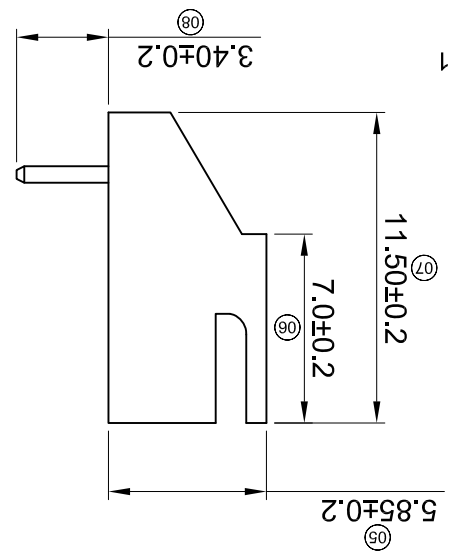
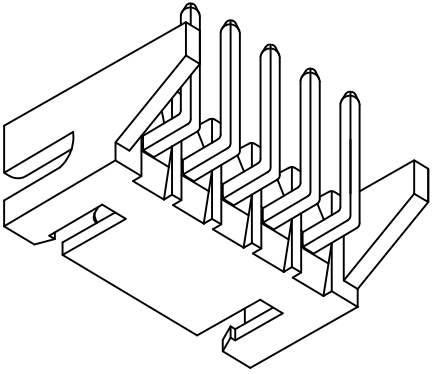
KXB INDUSTRIAL PRECISION CO., LIMITED

PART NO	Material	Material(Pin)	Finish(Pin)	Suitable XKB Terminal
X8821WR-XX-N0SN	Nylon 66 UL 94V-0	Brass	Tin-Plated	X8821H

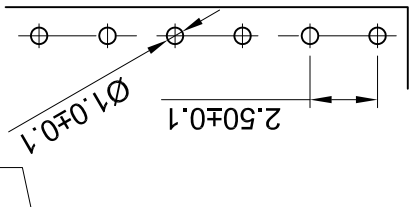
Poles	A	B
02	2.50	7.50
03	5.00	10.00
04	7.50	12.50
05	10.00	15.00
06	12.50	17.50
07	15.00	20.00
08	17.50	22.50
09	20.00	25.00
10	22.50	27.50
11	25.00	30.00
12	27.50	32.50
13	30.00	35.00
14	32.50	37.50
15	35.00	40.00
16	37.50	42.50
17	40.00	45.00
18	42.50	47.50
19	45.00	50.00
20	47.50	52.50

- X8821 W R X-XX X -N0 SN XX
- ① Series No.
 - ② Category: W-WAFER
 - ③ Welding Board Angle: V-180° ; R-90°
 - ④ Welding Way: Blank-DIP ; S-SMT
 - ⑤ Row No.-Pin No.: XX-Single Row ; 2*XX-Double Row
 - ⑥ Plug the Pin & Special No.:
 - ⑦ Material: N0 -PA66 94V-0
 - ⑧ Plating Category: G**-Gold Plated Contact
 - ⑨ V**- All Gold-Plated
 - 01-Gold Flash 02-2u" 03-3u"
 - 05-5u" 10-10u" 15-15u"
 - SN-Bright Tin Plating (70-120u")
 - SN-1 Bright Tin Plating (120u" Min).
 - 0-No Plating Material
 - SW-Fog Tin Plating
 - HS-Hight temperature Tin
 - ⑩ Color : Blank-Natural Color ;

- Specifications :**
- Voltage rating: 250V AC / DC
 - Current rating: 3A AC / DC
 - Withstanding voltage: 1000V AC/minute
 - Temperature range: -25°C~+85°C
 - Insulation resistance: ≥1000MΩ
 - Contact resistance: ≤10mΩ
 - After environmental testing: ≤20mΩ



Recommend PCB Layout

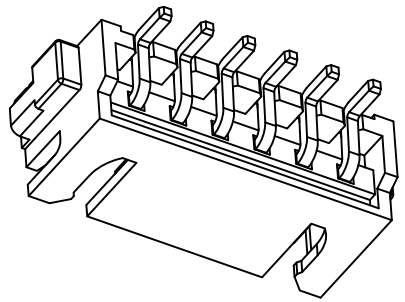
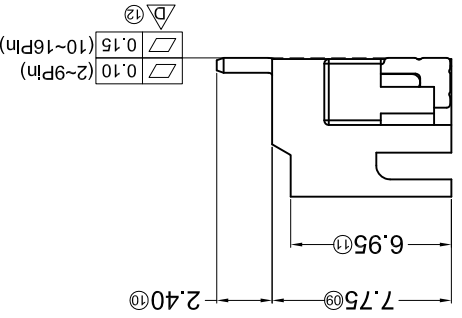
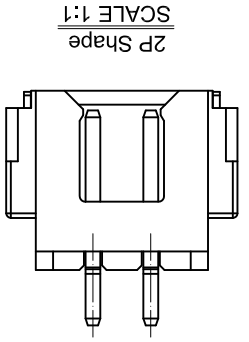
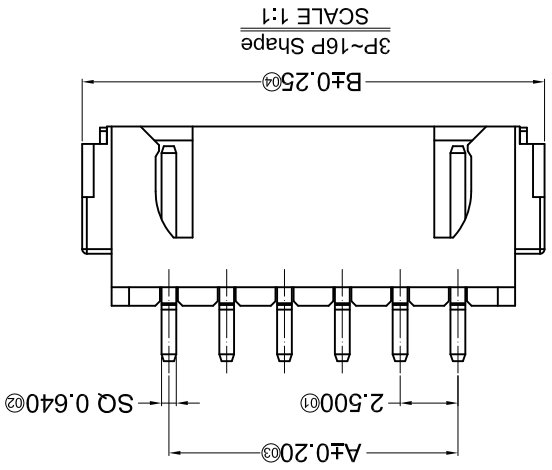
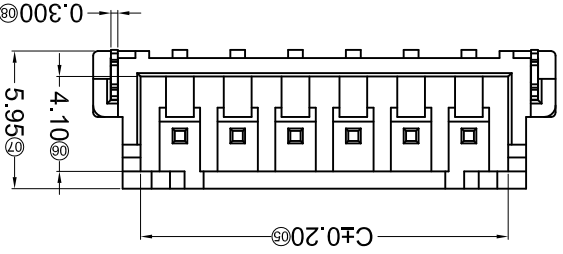
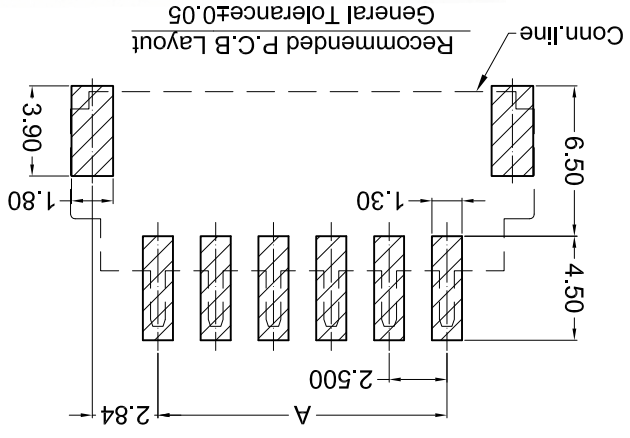


REVISIONS		DATE	REVISOR	APPROVED	UNSPECIFIED TOLERANCES
MARK	DESCRIPTION	DATE	REVISOR	APPROVED	UNSPECIFIED TOLERANCES
△X					L > 63 ±0.5
△X					16 < L ≤ 63 ±0.4
△X					4 < L ≤ 16 ±0.3
△X					L ≤ 4 ±0.2
					ANGULAR ±5°

For and on behalf of
XKB INDUSTRIAL PRECISION CO., LIMITED
 香港星坤工業精密有限公司

DATE	SCALE: N/A	MODEL TYPE: X8821WRS-XX-9TXXX
DATE	VIEW:	PART NO.: 2.50mm Crimp Style Connector
DATE	UNIT: mm	DWG NO.:
DATE	SIZE: A4	REVISION

WEIGHT	1.0g	SHEET	1/1	REVISION	A0
--------	------	-------	-----	----------	----



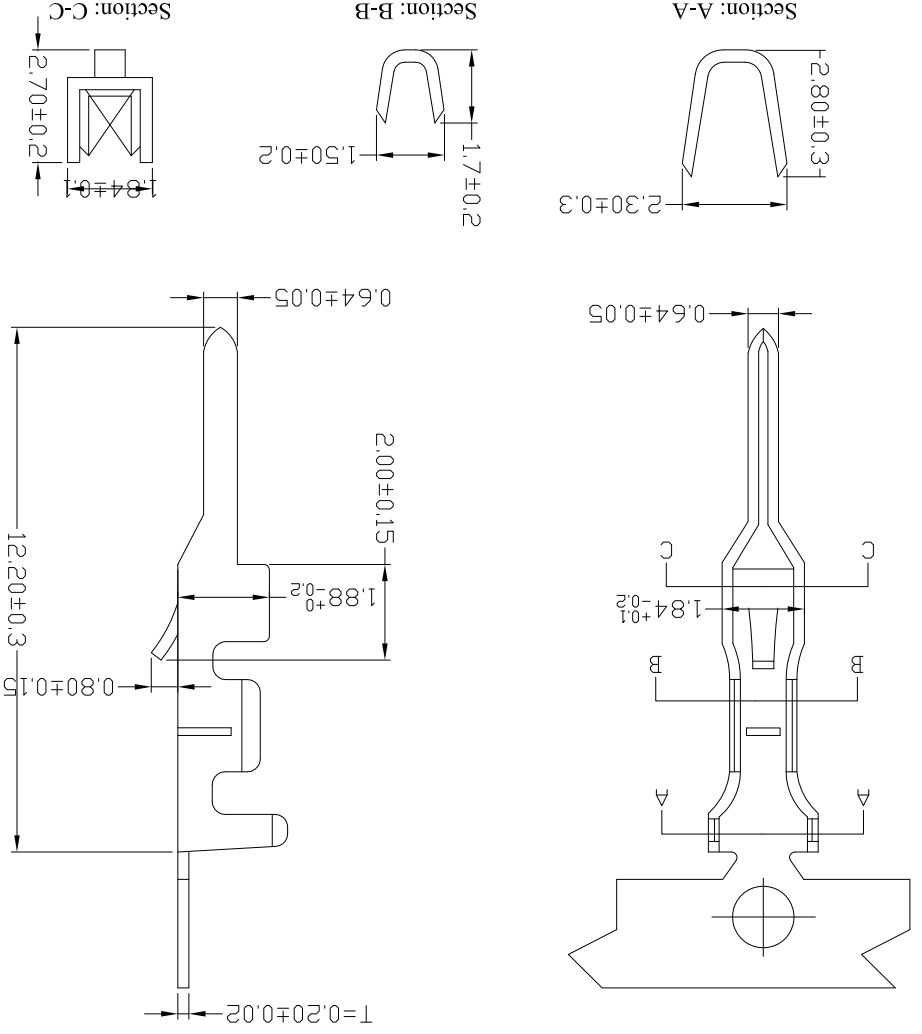
PART NO	Material	Solder (Pin and Tabs)	Finish (Pin)	Finish (Solder Tabs)	Suitable XKB Terminal
X8821WRS-XX-9T01	PA 9T UL 94V-0	Brass	Tin-Plated	Tin-Plated	X8821H
X8821WRS-XX-9T10			Gold Flash	Tin-Plated	

Poles	Dimensions (mm)		
	A	B	C
02	2.50	10.00	5.90
03	5.00	12.50	8.40
04	7.50	15.00	10.90
05	10.00	17.50	13.40
06	12.50	20.00	15.90
07	15.00	22.50	18.40
08	17.50	25.00	20.90
09	20.00	27.50	23.40
Dimensions (mm)			
	A	B	C
02	22.50	30.00	25.90
03	32.50	32.50	28.40
04	35.00	30.90	30.90
05	37.50	33.40	33.40
06	40.00	35.90	35.90
07	42.50	38.40	38.40
08	45.00	40.90	40.90
09	47.50	43.40	43.40

- ① Series No. X8821 W R S-XX X-9T XX XX
- ② Category: W-WAFER
- ③ Welding Board Angle: R-Right Angle 90°
- ④ Welding Way: S-SMT
- ⑤ Row No.-Pin No.: XX-02P~16P
- ⑥ Plug the Pin & Special No.:
- ⑦ Material: 9T -PA9T UL 94V-0
- ⑧ Plating Category: SN-Bright Tin Plating
- ⑨ Color: Blank-Natural Color

- Specifications:
- Voltage rating: 250V AC / DC
 - Current rating: 3A AC / DC
 - Withstanding voltage: 1000V AC/minute
 - Temperature range: -25°C~+85°C
 - Insulation resistance: ≥1000MΩ
 - Contact resistance: ≤10mΩ
 - After environmental testing: ≤20mΩ

PART NO	Material	Wire Range	Insulation O.D.	Finish	Suitable XKB Terminal
X8821TM-PSN	Phosphor Bronze	AWG#22-26	1.90mm(Max)	Stamping Before Plating:30-50u" Ni;70-120u"Sn	X8821HF



For and on behalf of
XKB INDUSTRIAL PRECISION CO., LIMITED
 香港星坤工業精密有限公司

MARK	DESCRIPTION	DATE	REVISIONS
△X			UNSPECIFIED TOLERANCES
△X			APPROVED
△X			REVISED
△X			DATE

DNSD	DATE	SCALE: N/A	MODEL TYPE: X8821TM-PSN
DWN	DATE	VIEW:	PART NO.: 2.50 mm Crimp Style connectors
CHKD	DATE	UNIT: mm	DWG NO.:
APPD	DATE	SIZE: A4	WEIGHT: 1.0g
			SHEET: 1/1
			REVISION: A0

X8821 T M-P SN X-X

- Specifications(规格):
 - Voltage rating(额定电压): 250V AC / DC
 - Current rating(额定电流): 3A AC / DC
 - Withstanding voltage(耐压值): 1000V AC/minute
 - Temperature range(工作温度): -25°C~+85°C
 - Insulation resistance(绝缘电阻): ≥1000MΩ
 - Contact resistance(接触电阻): ≤10mΩ
 - After environmental testing(环境测试后): ≤20mΩ

- ①系列
- ②类别: T端子
- ③外观形态: M-公端
- ④材质: P-磷铜

⑤电镀类别: G**-镀金 V**-镀全金

*01-Gold Flash *02-2U" *03-3U" *05-5U"
 *10-10U" *15-15U" *30-30U" *50-50U"
 SN-镀亮锡(70-120U") SN1-镀亮锡(120U"Min.)
 0-素材 SW-镀雾锡

⑥电镀方式:
 空码-先冲后镀 B-先镀后冲

⑦型号/MARK及特殊码

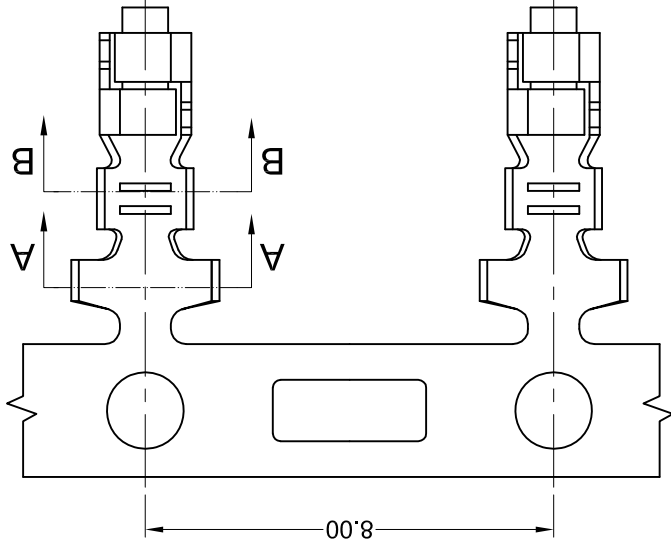
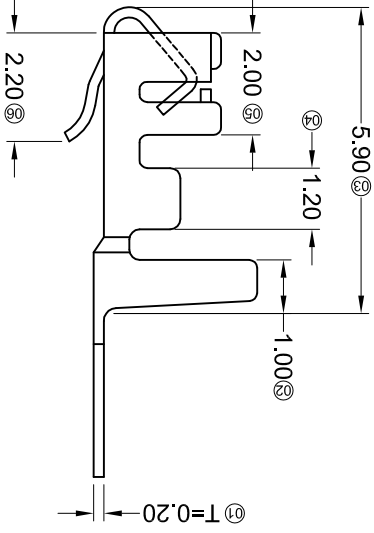
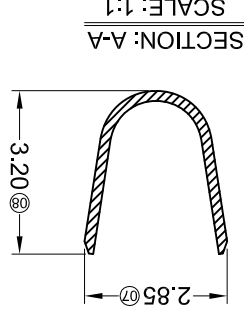
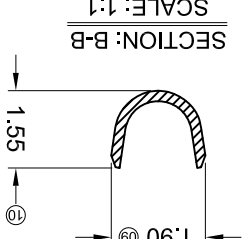
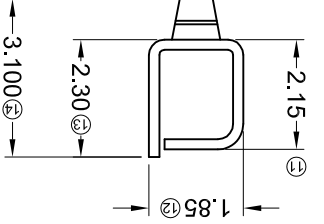
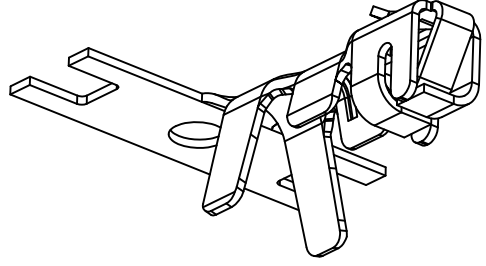
For and on behalf of
KXB INDUSTRIAL PRECISION CO., LIMITED
 香港星坤工業精密有限公司

Revisions Authorized Signatures(s)

MARK	DESCRIPTION	DATE	REVISED	APPROVED	UNSPECIFIED TOLERANCES
△X					L > 63 ± 0.5
△X					16 < L ≤ 63 ± 0.4
△X					4 < L ≤ 16 ± 0.3
					L ≤ 4 ± 0.2
					ANGULAR ± 5°

REVISION	SHEET	WEIGHT	KXB INDUSTRIAL PRECISION CO., LIMITED			
A0	1/1	1.0g				
			SIZE: A4	DATE	DATE	DATE
			UNIT: mm	DATE	DATE	DATE
			VIEW:	DATE	DATE	DATE
			SCALE: N/A	DATE	DATE	DATE
			MODEL TYPE: X8821T-BSNB			
			PART NO.: 2.50mm Crimp Style Connectors			
			DWG NO.:			

PART NO	Material	Wire Range	Insulation O.D.	Finish	Plating
X8821T-BSN	Brass	AWG#22-26	1.90mm(Max)	Stamping Before Plating:30u" Ni:70u"Sn	Stamping Before Plating:30u" Ni:70u"Sn
X8821T-BSNB	Phosphor Bronze			Stamping Before Plating:10u" Ni:40u"Sn	Stamping Before Plating:10u" Ni:40u"Sn
X8821T-PSNB				Stamping Before Plating:10u" Ni:40u"Sn	Stamping Before Plating:10u" Ni:40u"Sn
X8821T-PSN				Stamping Before Plating:30u" Ni:70u"Sn	Stamping Before Plating:30u" Ni:70u"Sn



- Specifications :**
 • Voltage rating: 250V AC / DC
 • Current rating: 3A AC / DC
 • Withstanding voltage: 1000V AC/minute
 • Temperature range: -25°C~+85°C
 • Insulation resistance: ≥1000MΩ
 • Contact resistance: ≤10mΩ
 • After environmental testing: ≤20mΩ
- X8821 T X-B SN X - X**
 ① Series Number
 ② Category: T-terminal
 ③ Shape: Blank-ordinary
 ④ Material: B-Brass P-Phosphor bronze
 ⑤ Plating style: SN-Bright tin plating
 ⑥ Plating method: Blank-stamping before plating
 ⑦ B-Plating before stamping
 ⑧ Mold No./Mark/Special No.

Authorized Signatures

For and on behalf of
KKB INDUSTRIAL PRECISION CO., LIMITED
 香港星坤工業精密有限公司

MARK	DESCRIPTION	DATE	REVISED	APPROVED	UNSPECIFIED TOLERANCES
△X					L > 63 ±0.5
△X					16 < L ≤ 63 ±0.4
△X					4 < L ≤ 16 ±0.3
					L ≤ 4 ±0.2
					ANGULAR ±5°

REVISION	SHEET	WEIGHT	KKB INDUSTRIAL PRECISION CO., LIMITED			
A0	1/1	1.0g	SIZE: A4	DATE	DATE	DATE
			UNIT: mm	DATE	DATE	DATE
			VIEW:	DATE	DATE	DATE
			SCALE: N/A	DATE	DATE	DATE
			MODEL TYPE: X8821H-XX-N0			
			PART NO.: X8821H-XX-N0			
			2.50mm Crimp style Connector			
			DWG NO.:			

PART NO	Material	Suitable XKB Terminal	Suitable XKB Terminal
X8821H-XX-N0	Nylon 66 UL 94V-0	X8821T	X8821W, 8821HF

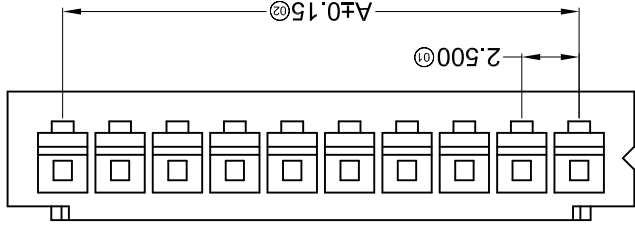
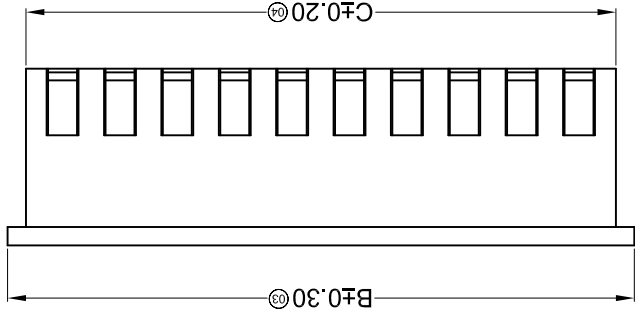
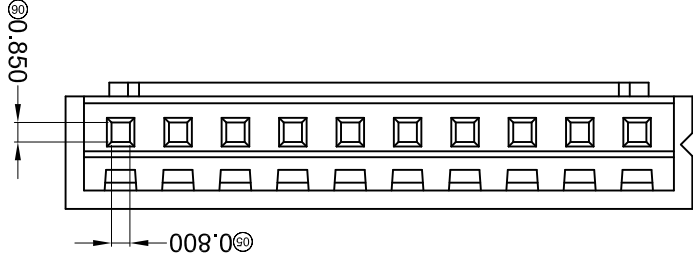
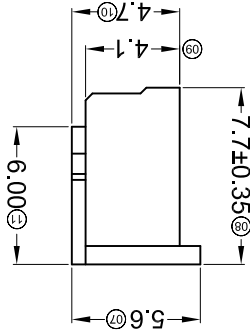
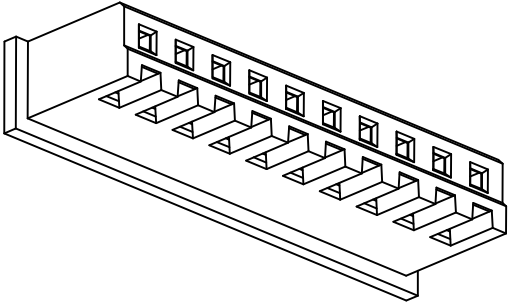
Poles	Dimensions(mm)		
	A	B	C
02	2.50	7.30	5.70
03	5.00	9.80	8.20
04	7.50	12.30	10.70
05	10.00	14.80	13.20
06	12.50	17.30	15.70
07	15.00	19.80	18.20
08	17.50	22.30	20.70
09	20.00	24.80	23.20

- ① Series No.
- ② Category: H-HSG
- ③ Appearance type: Blank-Ordinary
- ④ Row No.-Pin No.: XX-Single Row
- ⑤ Plug the Pin & Special No. Blank-Ordinary
- ⑥ Material: N0-PA66 94V-0
- ⑦ Color: Blank : Natural Color

X8821 H X-XX X-N0 XX

- Voltage rating: 250V AC / DC
- Current rating: 3A AC / DC
- Withstanding voltage: 1000V AC/minute
- Temperature range: -25°C~+85°C
- Insulation resistance: ≥1000MΩ
- Contact resistance: ≤10mΩ
- After environmental testing: ≤20mΩ

■ Specifications :



For and on behalf of
XKB INDUSTRIAL PRECISION CO., LIMITED
 香港星坤工業精密有限公司

REVISIONS
 Authorized Signature(s)

MARK	DESCRIPTION	DATE	REVISED	APPROVED	UNSPECIFIED TOLERANCES
△X					L > 63
△X					16 < L ≤ 63
△X					4 < L ≤ 16
					L ≤ 4
					ANGULAR
					± 5°

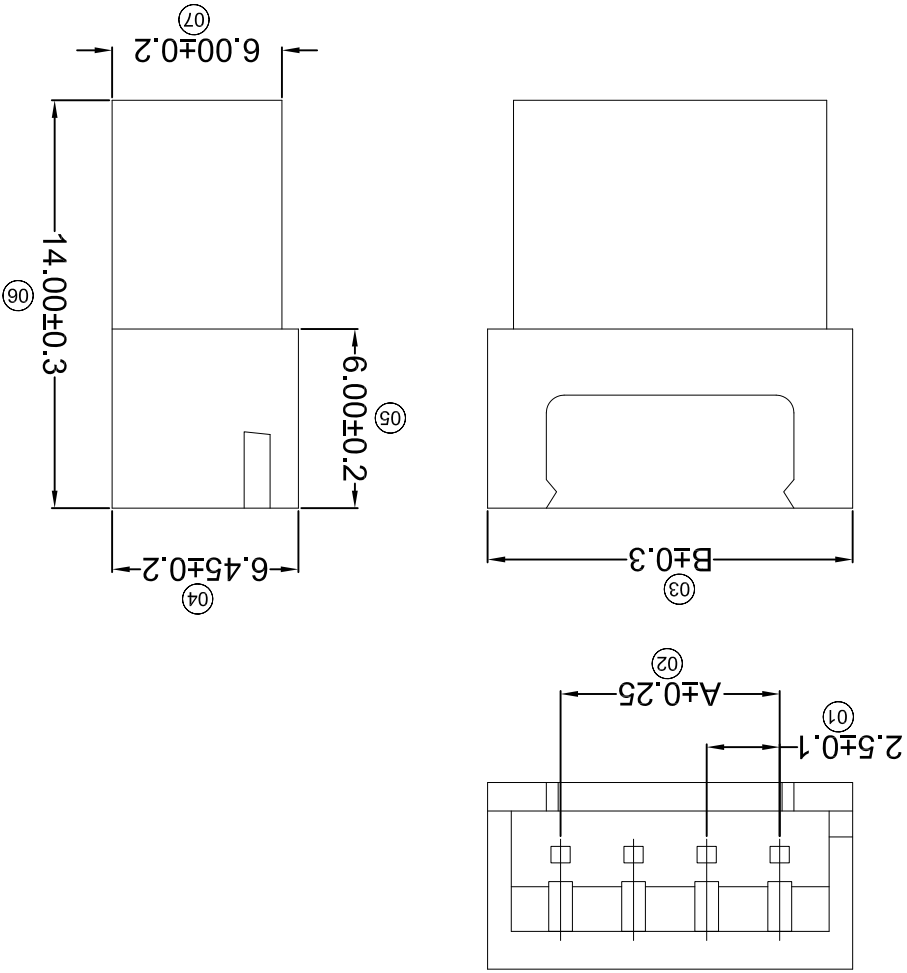
DSND	DATE	SCALE: N/A	MODEL TYPE: X8821HF-XX-N0
DWN	DATE <td>VIEW: </td> <td>PART NO.: 2.50 mm Crimp style Connector</td>	VIEW:	PART NO.: 2.50 mm Crimp style Connector
CHKD	DATE <td>UNIT: mm</td> <td>DWG NO.:</td>	UNIT: mm	DWG NO.:
APPD	DATE <td>SIZE: A4</td> <td>WEIGHT: 1.0g</td>	SIZE: A4	WEIGHT: 1.0g
			SHEET: 1/1
			REVISION: A0

PART NO	Material	Suitable XKB Terminal	Suitable XKB Terminal
X8821HF-XX-N0	Nylon 66 UL 94V-0	X8821TM	X8821W、8821H

Poles	Dimensions (mm)	
	A	B
02	2.50	7.50
03	5.00	10.00
04	7.50	12.50
05	10.00	15.00
06	12.50	17.50
07	15.00	20.00
08	17.50	22.50
09	20.00	25.00
10	22.50	27.50
11	25.00	30.00
12	27.50	32.50
13	30.00	35.00
14	32.50	37.50
15	35.00	40.00
16	37.50	42.50
17	40.00	45.00
18	42.50	47.50
19	45.00	50.00
20	47.50	52.50

X8821 H F-XX X-N0 XX
 ① Series No.
 ② Category: H-HSG
 ③ Appearance type: F-Female
 ④ Row No.-Pin No.: XX-Single Row
 ⑤ Plug the Pin & Special No. Blank-Ordinary
 ⑥ Material: NO-PA66 94V-0
 ⑦ Color: Blank: Natural Color

- **Specifications:**
- Voltage rating: 250V AC / DC
 - Current rating: 3A AC / DC
 - Withstanding voltage: 1000V AC/minute
 - Temperature range: -25°C~+85°C
 - Insulation resistance: ≥1000MΩ
 - Contact resistance: ≤10mΩ
 - After environmental testing: ≤20mΩ



X-ON Electronics

Largest Supplier of Electrical and Electronic Components

Click to view similar products for [Headers & Wire Housings](#) category:

Click to view products by [XKB](#) manufacturer:

Other Similar products are found below :

[95000-104TRLF](#) [10135584-644402LF](#) [DF62W-EP2022PCA](#) [95000-106TRLF](#) [DF62W-2022SCA](#) [DF62W-EP2022PC](#) [2203348](#) [DF62W-2022SC](#) [1084018](#) [1029039](#) [1084017](#) [802-10-012-10-002000](#) [1112640](#) [1112639](#) [891-007-9SS-BST1T](#) [000-34000](#) [0008550134](#) [0009482033](#) [0009507031](#) [57102-F02-18ULF](#) [57102-S06-03LF](#) [57202-S52-04LF](#) [PCN6-15S-2.5E](#) [0039019024](#) [58102-G61-06LF](#) [582553-1](#) [0009485154](#) [0009508121](#) [0022285053](#) [0050291907](#) [018731A](#) [LY20-4P-DT1-P1E-BR](#) [02.125.8002.8](#) [60101931](#) [60598-1 \(Cut Strip\)](#) [M1625-3R/100](#) [61062-3](#) [61082-181009](#) [CSU011177004](#) [636-1427](#) [638009-1](#) [641938-9](#) [641991-4](#) [644168-1](#) [644827-2](#) [647662-1](#) [65039-019ELF](#) [65692-001LF](#) [65781-018](#) [65781-047](#)