

For and on behalf of
XKB INDUSTRIAL PRECISION CO., LIMITED
 香港星坤工業精密有限公司

Revisions -
 Authorized Signatures(s)

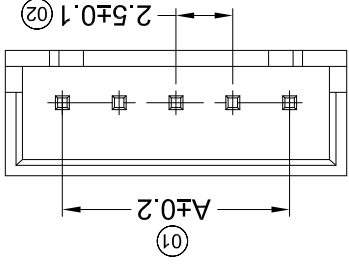
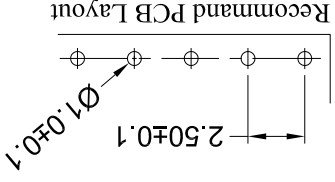
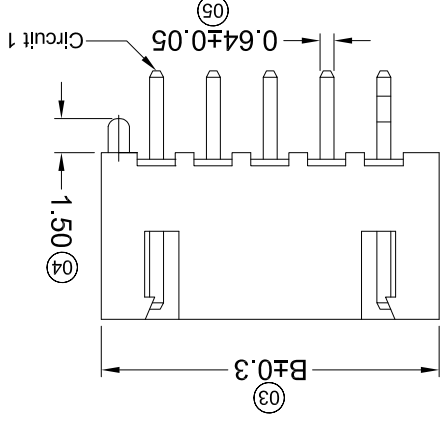
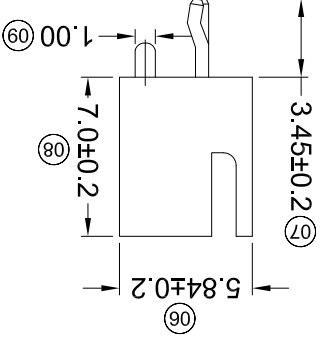
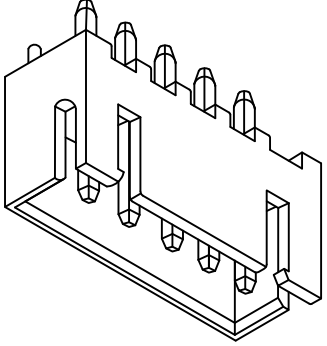
MARK	DESCRIPTION	DATE	REVISED	APPROVED	UNSPECIFIED TOLERANCES
△X					L > 63 ±0.5
△X					16 > L ≤ 63 ±0.4
△X					4 > L ≤ 16 ±0.3
△X					L ≤ 4 ±0.2
					ANGULAR ±5°

DATE	SCALE: N/A	MODEL TYPE:	MODEL NO.:	DWN	DATE	VIEW:	UNIT: mm	CHKD	DATE	DATE	SIZE: A4	WEIGHT	SHEET	REVISION
		X8821WV-XXKS-N0SN										1.0g	1/1	A0

PART NO	Material	Material(Pin)	Finish(Pin)	Suitable XKB Terminal
X8821WV-XXKS-N0SN	Nylon 66 UL 94V-0	Brass	Tin-Plated	X8821H

Dimensions (mm)	A	B
02	2.50	7.50
03	5.00	10.00
04	7.50	12.50
05	10.00	15.00
06	12.50	17.50
07	15.00	20.00
08	17.50	22.50
09	20.00	25.00
10	22.50	27.50
11	25.00	30.00
12	27.50	32.50
13	30.00	35.00
14	32.50	37.50
15	35.00	40.00
16	37.50	42.50
17	40.00	45.00
18	42.50	47.50
19	45.00	50.00
20	47.50	52.50

- ① Series No. X8821 W V X-XX KS -N0 SN XX
- ② Category: W-WAFER
- ③ Welding Board Angle: V-180° ; R-90°
- ④ Welding Way: Blank-DIP ; S-SMT
- ⑤ Row No.-Pin No.: XX-Single Row ; 2*XX-Double Row
- ⑥ Plug the Pin & Special No.: Blank-Without Kink ; K-With Kink
- ⑦ Material: NO -PA66 94V-0
S-With Post
- ⑧ Plating Category: G**-Gold Plated Contact
V**- All Gold-Plated
01-Gold Flash 02-2u" 03-3u"
05-5u" 10-10u" 15-15u"
SN-Bright Tin Plating (70u")
SN1-Bright Tin Plating (120u" Min).
0-No Plating Material
SW- Fog Tin Plating
HS-Hight temperature Tin
- ⑨ Color : Blank-Natural Color ;



- Specifications :
- Voltage rating: 250V AC / DC
 - Current rating: 3A AC / DC
 - Withstanding voltage: 1000V AC/minute
 - Temperature range: -25°C~+85°C
 - Insulation resistance: ≥1000MΩ
 - Contact resistance: ≤10mΩ
 - After environmental testing: ≤20mΩ

REVISIONS (Authorized Signatures)

MARK	DESCRIPTION	DATE	REVISED	APPROVED	UNSPECIFIED TOLERANCES
△ X					L > 63 ± 0.5
△ X					16 > L ≤ 63 ± 0.4
△ X					4 < L ≤ 16 ± 0.3
					L ≤ 4 ± 0.2
					ANGULAR ± 5°

For and on behalf of
XKB INDUSTRIAL PRECISION CO., LIMITED
 香港星坤工業精密有限公司

XKB INDUSTRIAL PRECISION CO., LIMITED

WEIGHT	1.0g
SHEET	1/1
REVISION	A0
SIZE:	A4
UNIT:	mm
VIEW:	VIEW
SCALE:	N/A
DATE	
DWNS	DATE
CHKD	DATE
APPD	DATE

PART NO	Material	Material(Pin)	Finish(Pin)	Suitable XKB Terminal
X8821WV-XXK-N0SN	Nylon 66 UL 94V-0	Brass	Tin-Plated	X8821H

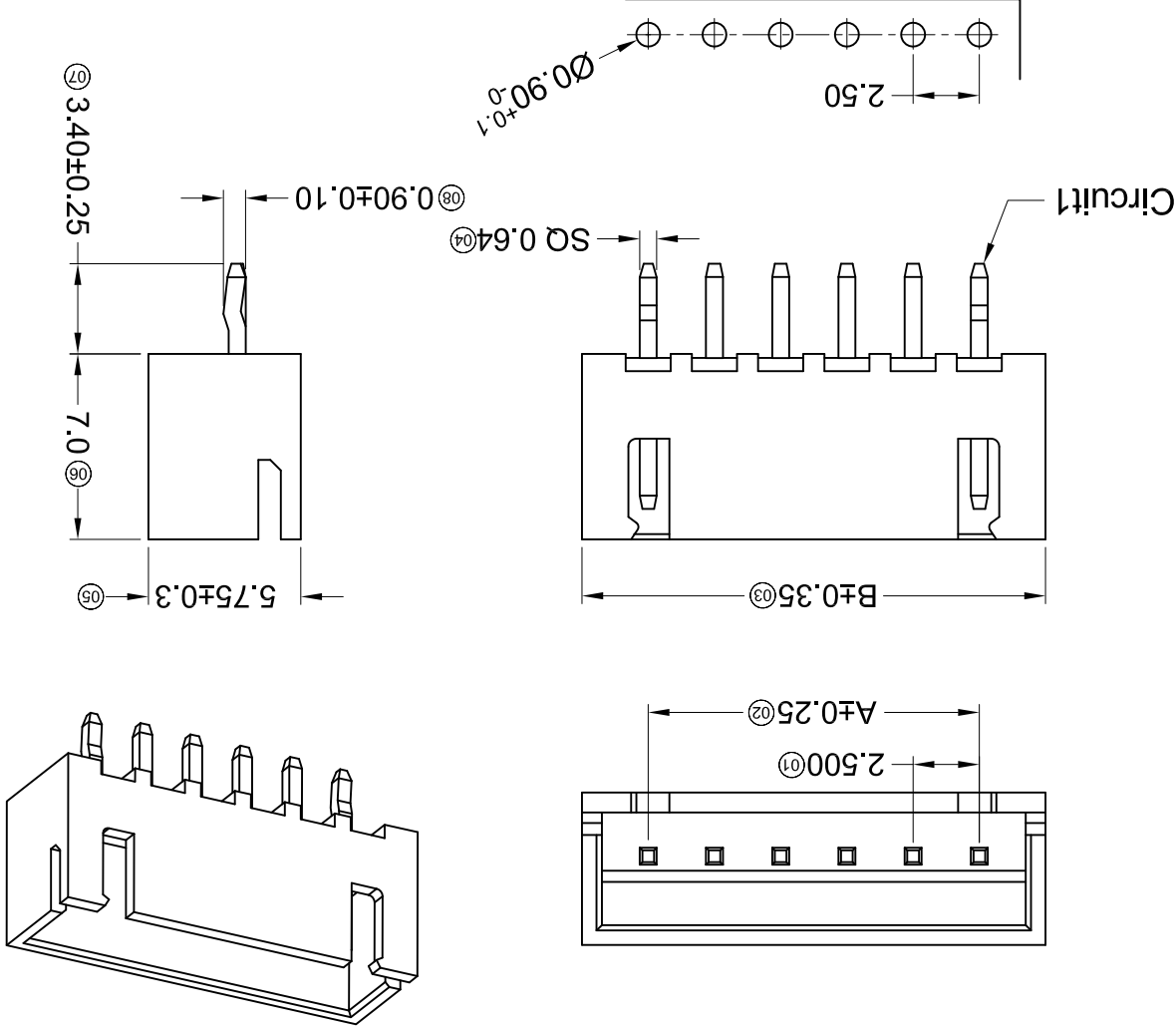
Poles	Dimensions(mm)	
	A	B
02	2.50	7.50
03	5.00	10.00
04	7.50	12.50
05	10.00	15.00
06	12.50	17.50
07	15.00	20.00
08	17.50	22.50
09	20.00	25.00
10	22.50	27.50
11	25.00	30.00

- ① Series No.
- ② Category: W-WAFER
- ③ Welding Board Angle: V-Stringht 180°
- ④ Welding Way: Blank-DIP
- ⑤ Row No.-Pin No.: XX-Single Row
- ⑥ Plug the Pin & Special No.: K-KINK
- ⑦ Material: NO -PA66 94V-0
- ⑧ Plating Category: SN-Bright Tin Plating
- ⑨ Color: Blank-Natural Color

X8821 W V X-XX K-N0 SN XX
 ① ② ③ ④ ⑤ ⑥ ⑦ ⑧ ⑨

- Specifications :
- Voltage rating: 250V AC / DC
 - Current rating: 3A AC / DC
 - Withstanding voltage: 1000V AC/minute
 - Temperature range: -25°C~+85°C
 - Insulation resistance: ≥1000MΩ
 - Contact resistance: ≤10mΩ
 - After environmental testing: ≤20mΩ

Recommended P.C.B Layout
 General Tolerance±0.05



For and on behalf of
XKB INDUSTRIAL PRECISION CO., LIMITED
 香港星坤工業精密有限公司

REVISIONS
 (Unauthorized Signatures)

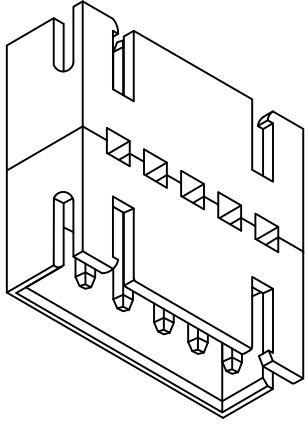
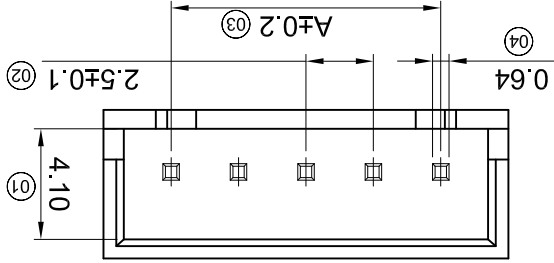
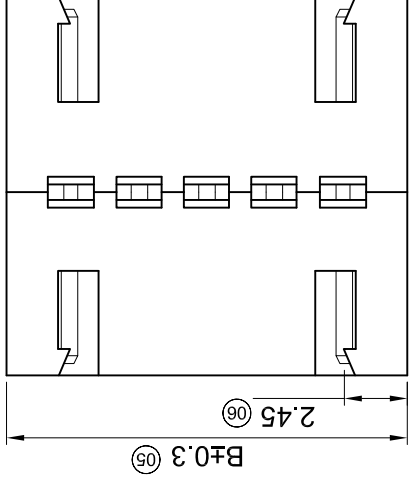
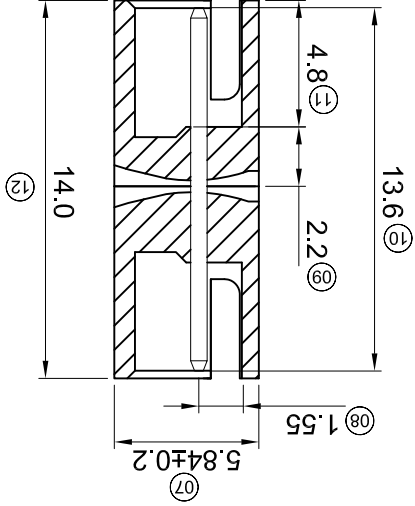
MARK	DESCRIPTION	DATE	REVISED	APPROVED	UNSPECIFIED TOLERANCES
△X					L > 63 ±0.5
△X					16 > L ≤ 63 ±0.4
△X					4 < L ≤ 16 ±0.3
					L ≤ 4 ±0.2
					ANGULAR ±5°

REVISION	SHEET	WEIGHT	XKB INDUSTRIAL PRECISION CO., LIMITED			
A0	1/1	1.0g	DATE	DATE	DATE	DATE
			SIZE: A4	UNIT: mm	VIEW:	SCALE: N/A
			APPD	CHKD	DWN	DSND
			DWG NO.:	PART NO.:	MODEL TYPE:	
			2.50 mm Crimp style Connector	X8821WV-XXH2-N0SN	X8821WV-XXH2-N0SN	

PART NO	Material	Material(Pin)	Finish(Pin)	Suitable XKB Terminal
X8821WV-XXH2-N0SN	Nylon 66 UL 94V-0	Brass	Tin-Plated	X8821H

Dimensions (mm)	A	B
02	2.50	7.50
03	5.00	10.00
04	7.50	12.50
05	10.00	15.00
06	12.50	17.50
07	15.00	20.00
08	17.50	22.50
09	20.00	25.00
10	22.50	27.50
11	25.00	30.00
12	27.50	32.50
13	30.00	35.00
14	32.50	37.50
15	35.00	40.00
16	37.50	42.50
17	40.00	45.00
18	42.50	47.50
19	45.00	50.00
20	47.50	52.50

- ① Series No. X8821 W V X-XX H2 -N0 XX XX
 ② Category: W-WAFER
 ③ Welding Board Angle: V-180° ; R-90°
 ④ Welding Way: Blank-DIP ; S-SMT
 ⑤ Row No.-Pin No.: XX-Single Row ; 2*XX-Double Row
 ⑥ Plug the Pin & Special No.: H2-Double-Faced Wafer
 ⑦ Material: N0 -PA66 94V-0
 ⑧ Plating Category: G**-Gold Plated Contact
 V**- All Gold-Plated
 01-Gold Flash 02-2u" 03-3u"
 05-5u" 10-10u" 15-15u"
 SN-Bright Tin Plating (70u")
 SN-1-Bright Tin Plating (120u" Min).
 0-No Plating Material
 SW-Fog Tin Plating
 HS-Hight temperature Tin
 ⑨ Color : Blank-Natural Color ;



- Specifications :
- Voltage rating: 250V AC / DC
 - Current rating: 3A AC / DC
 - Withstanding voltage: 1000V AC/minute
 - Temperature range: -25°C~+85°C
 - Insulation resistance: ≥1000MΩ
 - Contact resistance: ≤10mΩ
 - After environmental testing: ≤20mΩ

For and on behalf of
XKB INDUSTRIAL PRECISION CO., LIMITED
 香港星坤工業精密有限公司

MARK	DESCRIPTION	DATE	REVISIONS	APPROVED	REVISOR	UNSPECIFIED TOLERANCES
△X						±0.5
△X						L > 63 16 < L ≤ 63
△X						L ≤ 4 4 < L ≤ 16
						L ≤ 4 ±0.2
						ANGULAR ±5°

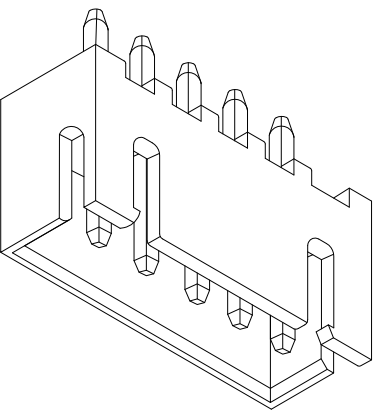
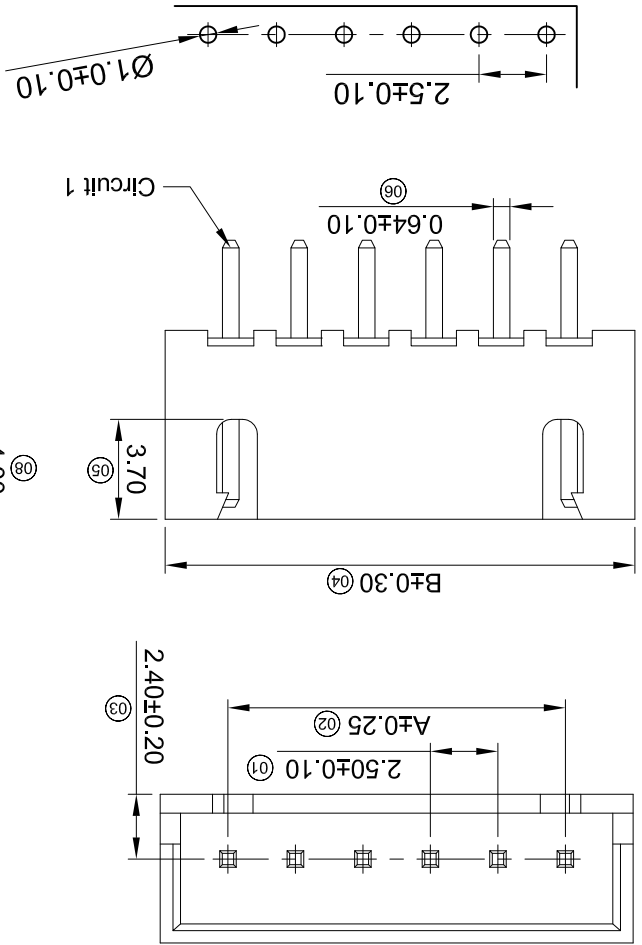
REVISION	SHEET	WEIGHT	DATE	DATE	DATE	DATE	DATE
A0	1/1	1.0g					

XKB INDUSTRIAL PRECISION CO., LIMITED

DNSD	SCALE: N/A	DATE	
DWN	VIEW:	DATE	
CHKD	UNIT: mm	DATE	
APPD	SIZE: A4	DATE	

MODEL TYPE: X8821WV-XX-N0XX
 PART NO.:
 2.50 mm Crimp style Connector
 DWG NO.:

Recommend PCB Layout



- X8821 W V X-XX X-N0 XX XX**
- ① Series No.
 - ② Category: W-WAFER
 - ③ Welding Board Angle: V-180° ; R-90°
 - ④ Welding Way: Blank-DIP ; S-SMT
 - ⑤ Row No.-Pin No.: XX-Single Row ; 2*XX-Double Row
 - ⑥ Plug the Pin & Special No.:
 - ⑦ Material: N0-PA66 94V-0
 - ⑧ Plating Category: G**-Gold Plated Contact
 - ⑨ V**- All Gold-Plated
 - 01-Gold flash 02-2u" 03-3u"
 - 05-5u" 10-10u" 15-15u"
 - SN-Bright Tin Plating (70u")
 - SN-1-Bright Tin Plating (120u" Min).
 - 0-No Plating Material
 - SW-Fog Tin Plating
 - HS-Hight temperature Tin
 - ⑩ Color : Blank-Natural Color ;

Dimensions (mm)	A	B
02	2.50	7.50
03	5.00	10.00
04	7.50	12.50
05	10.00	15.00
06	12.50	17.50
07	15.00	20.00
08	17.50	22.50
09	20.00	25.00
10	22.50	27.50
11	25.00	30.00
12	27.50	32.50
13	30.00	35.00
14	32.50	37.50
15	35.00	40.00
16	37.50	42.50
17	40.00	45.00
18	42.50	47.50
19	45.00	50.00
20	47.50	52.50

- Specifications :**
- Voltage rating: 250V AC / DC
 - Current rating: 3A AC / DC
 - Withstanding voltage: 1000V AC/minute
 - Temperature range: -25°C~+85°C
 - Insulation resistance: ≥1000MΩ
 - Contact resistance: ≤10mΩ
 - After environmental testing: ≤20mΩ

REVISIONS		APPROVED		REVISED		DATE	
MARK	DESCRIPTION						
△X							
△X							
△X							

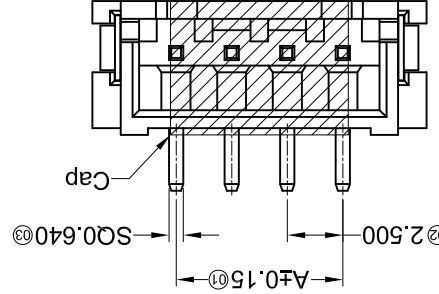
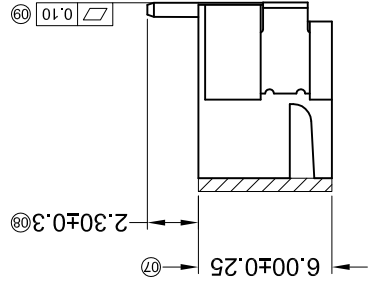
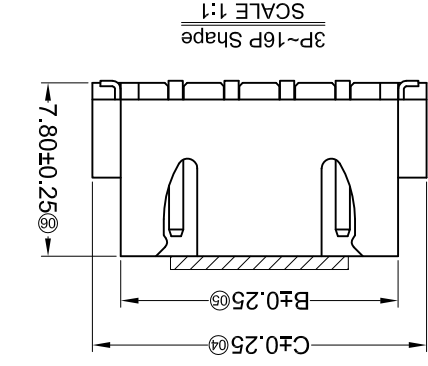
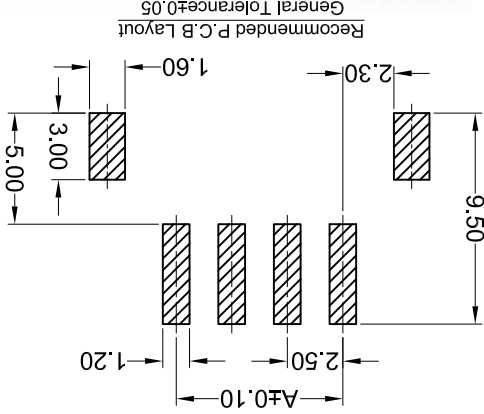
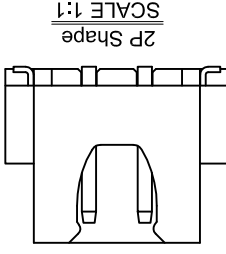
For and on behalf of
XKB INDUSTRIAL PRECISION CO., LIMITED
 香港星坤工業精密有限公司

Unauthorized Signature(s)

DSND	DATE	SCALE: N/A	MODEL TYPE: X8821WVS-XX-9TSN
DWN	DATE	VIEW:	PART NO.:
CHKD	DATE	UNIT: mm	DWG NO.:
APPD	DATE	SIZE: A4	
UNSPECIFIED TOLERANCES		WEIGHT 1.0g	REVISION SHEET 1/1

PART NO	Material	Material (Pin)	Finish (Pin)	Material (Solder Tabs)	Finish (Solder Tabs)	Suitable XKB Terminal
X8821WVS-XX-9TSN	PA9T UL 94V-0	Brass	Tin-plated	Phosphore Bronze	Tin-plated	x8821H

Poles	Dimensions(mm)			Poles	Dimensions(mm)		
	A	B	C		A	B	C
02	2.50	7.45	10.00	10	22.50	27.45	30.00
03	5.00	9.95	12.50	11	25.00	29.95	32.50
04	7.50	12.45	15.00	12	27.50	32.45	35.00
05	10.00	14.95	17.50	13	30.00	34.95	37.50
06	12.50	17.45	20.00	14	32.50	37.45	40.00
07	15.00	19.95	22.50	15	35.00	39.95	42.50
08	17.50	22.45	25.00	16	37.50	42.45	45.00
09	20.00	24.95	27.50				



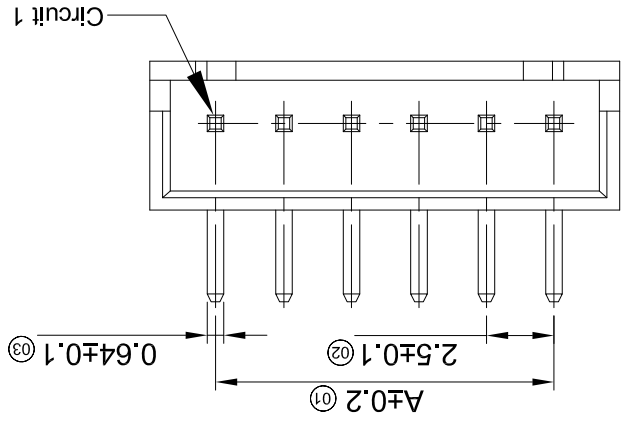
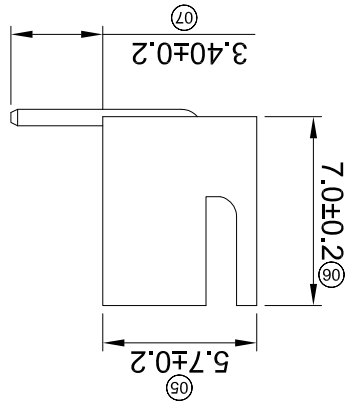
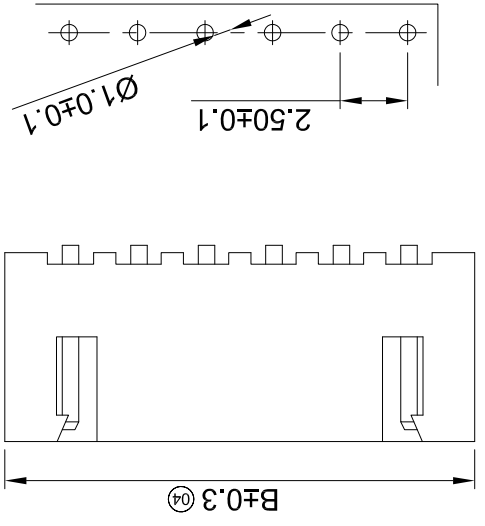
- Specifications :**
- Voltage rating: 250V AC / DC
 - Current rating: 3A AC / DC
 - Withstanding voltage: 1000V AC/minute
 - Temperature range: -25°C~+85°C
 - Insulation resistance: ≥1000MΩ
 - Contact resistance: ≤10mΩ
 - After environmental testing: ≤20mΩ
- ① Series No.
 ② Category: W-WAFER
 ③ Welding Board Angle: V-180°
 ④ Welding Way: S-SMT
 ⑤ Row No.-Pin No.: XX-Single Row
 ⑥ Plug the Pin & Special No.:
 ⑦ Material: 9T -PA9T 94V-0
 ⑧ Plating Category: SN-Bright Tin Plating
 ⑨ Color: Blank-Natural Color
- X8821 W V S-XX X-9T SN XX
 ① ② ③ ④ ⑤ ⑥ ⑦ ⑧ ⑨

For and on behalf of
KXB INDUSTRIAL PRECISION CO., LIMITED
 香港星坤工業精密有限公司

MARK	DESCRIPTION	DATE	REVISED	APPROVED	UNSPECIFIED TOLERANCES
△X					L > 63
△X					16 < L ≤ 63
△X					4 < L ≤ 16
					L ≤ 4
					ANGULAR
					± 0.2
					± 0.5

REVISION	SHEET	WEIGHT	DATE	DATE	DATE	DATE	DATE
A0	1/1	1.0g					

Recommend PCB Layout



PART NO	Material	Material(Pin)	Finish(Pin)	Suitable XKB Terminal
X8821WR-XXS-N0SN	Nylon 66 UL 94V-0	Brass	Tin-Plated	X8821H

Dimensions (mm)	A	B
02	2.50	7.50
03	5.00	10.00
04	7.50	12.50
05	10.00	15.00
06	12.50	17.50
07	15.00	20.00
08	17.50	22.50
09	20.00	25.00
10	22.50	27.50
11	25.00	30.00
12	27.50	32.50
13	30.00	35.00
14	32.50	37.50
15	35.00	40.00
16	37.50	42.50
17	40.00	45.00
18	42.50	47.50
19	45.00	50.00
20	47.50	52.50

- X8821 WR X-XX S-N0 SN XX**
- ① Series No.
 - ② Category: W-WAFER
 - ③ Welding Board Angle: V-180°; R-90°
 - ④ Welding Way: Blank-DIP; S-SMT
 - ⑤ Row No.-Pin No.: XX-Single Row; 2*XX-Double Row
 - ⑥ Plug the Pin & Special No.: S-No Positioning
 - ⑦ Material: N0 -PA66 94V-0
 - ⑧ Plating Category: G**-Gold Plated Contact
 - ⑨ V**- All Gold-Plated
 - ⑩ 01-1u" 02-2u" 03-3u"
 - ⑪ 05-5u" 10-10u" 15-15u"
 - ⑫ SN-Bright Tin Plating (70u")
 - ⑬ SN1-Bright Tin Plating (120u" Min).
 - ⑭ 0-No Plating Material
 - ⑮ SW-Fog Tin Plating
 - ⑯ HS-Hight temperature Tin
 - ⑰ Color: Blank-Natural Color

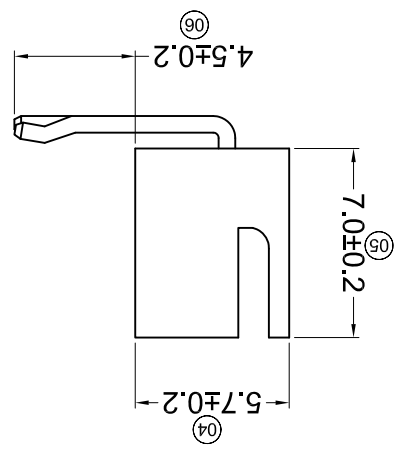
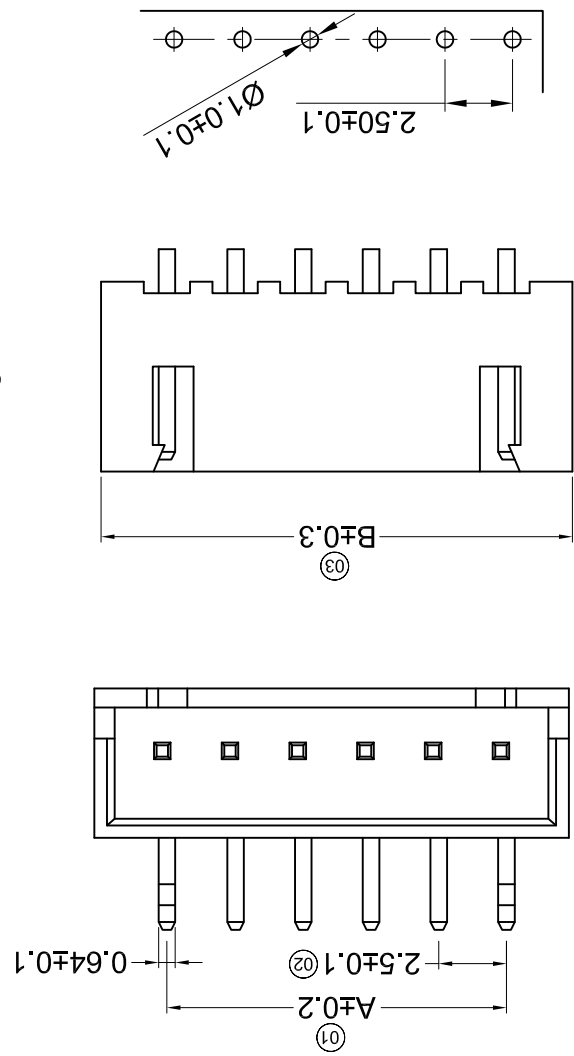
- Specifications:**
- Voltage rating: 250V AC / DC
 - Current rating: 3A AC / DC
 - Withstanding voltage: 1000V AC/minute
 - Temperature range: -25°C~+85°C
 - Insulation resistance: ≥1000MΩ
 - Contact resistance: ≤10mΩ
 - After environmental testing: ≤20mΩ

REVISIONS		APPROVED		REVISED		DATE		DESCRIPTION		MARK	
UNSPECIFIED TOLERANCES		L > 63		16 < L ≤ 63		4 < L ≤ 16		L ≤ 4		ANGULAR ±5°	
±0.5		±0.4		±0.3		±0.2		±0.2		±5°	

For and on behalf of
KXB INDUSTRIAL PRECISION CO., LIMITED
 香港星坤工業精密有限公司

MODEL TYPE:	X8821WR-XXKS-N0SN	SCALE: N/A	DATE	DNSD
PART NO.:	X8821WR-XXKS-N0SN	VIEW:	DATE	DWN
DWG NO.:	2.50 mm Crimp style Connector	UNIT: mm	DATE	CHKD
REVISION	SHEET	WEIGHT	DATE	APPD
A0	1/1	1.0g	SIZE: A4	

Recommend PCB Layout



PART NO	Material	Material(Pin)	Finish(Pin)	Suitable XKB Terminal
X8821WR-XXKS-N0SN	Nylon 66 UL 94V-0	Brass	Tin-Plated	X8821H

Dimensions (mm)	A	B
Poles	2.50	7.50
02	2.50	7.50
03	5.00	10.00
04	7.50	12.50
05	10.00	15.00
06	12.50	17.50
07	15.00	20.00
08	17.50	22.50
09	20.00	25.00
10	22.50	27.50
11	25.00	30.00
12	27.50	32.50
13	30.00	35.00
14	32.50	37.50
15	35.00	40.00
16	37.50	42.50
17	40.00	45.00
18	42.50	47.50
19	45.00	50.00
20	47.50	52.50

- X8821 W R X-XX KS -N0 SN XX
- ① Series No.
 - ② Category: W-WAFER
 - ③ Welding Board Angle: V-180°; R-90°
 - ④ Welding Way: Blank-DIP; S-SMT
 - ⑤ Row No.-Pin No.: XX-Single Row; 2*XX-Double Row
 - ⑥ Plug the Pin & Special No.: KS-With kink and No Positioning
 - ⑦ Material: N0 -PA66 94V-0
 - ⑧ Plating Category: G*-Gold Plated Contact
 - ⑨ V*- All Gold-Plated
 - ⑩ 01-Gold Flash 02-2u" 03-3u"
 - ⑪ 05-5u" 10-10u" 15-15u"
 - ⑫ SN-Bright Tin Plating (70u")
 - ⑬ SN1-Bright Tin Plating (120u" Min).
 - ⑭ 0-No Plating Material
 - ⑮ SW-Fog Tin Plating
 - ⑯ HS-Hight temperature Tin
 - ⑰ Color: Blank-Natural Color;

- Specifications:
- Voltage rating: 250V AC / DC
 - Current rating: 3A AC / DC
 - Withstanding voltage: 1000V AC/minute
 - Temperature range: -25°C~+85°C
 - Insulation resistance: ≥1000MΩ
 - Contact resistance: ≤10mΩ
 - After environmental testing: ≤20mΩ

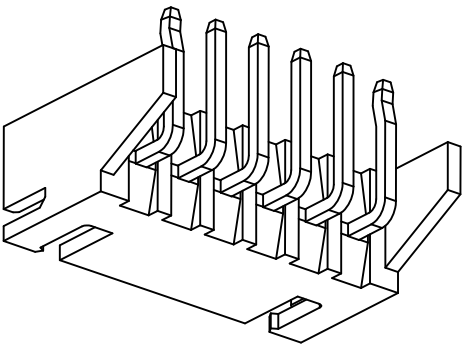
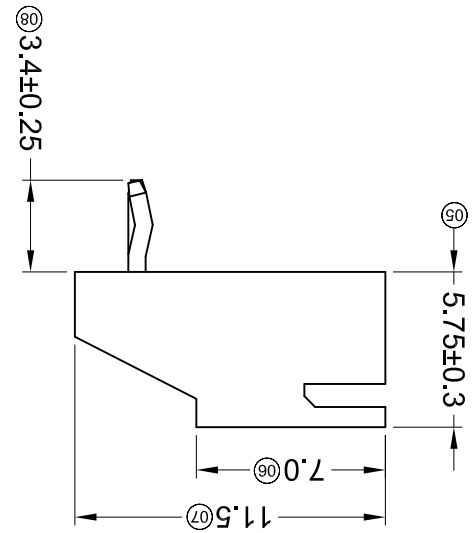
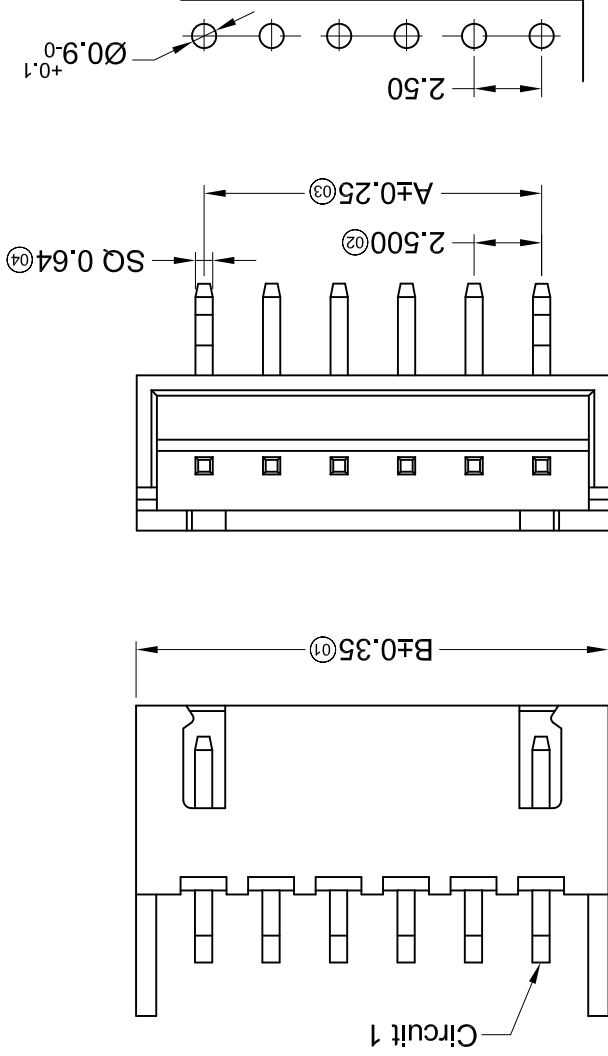
For and on behalf of
XKB INDUSTRIAL PRECISION CO., LIMITED
 香港星坤工業精密有限公司

Authorized Signatures(s)

MARK	DESCRIPTION	DATE	REVISED	APPROVED	UNSPECIFIED TOLERANCES
△X					L > 63 ±0.5
△X					16 < L ≤ 63 ±0.4
△X					4 < L ≤ 16 ±0.3
					L ≤ 4 ±0.2
					ANGULAR ±5°

DATE	DATE	DATE	DATE	DATE	DATE	DATE	DATE	DATE	DATE
DNSD	DWN	CHKD	APPD						
SCALE: N/A	VIEW:	UNIT: mm	SIZE: A4						
MODEL TYPE: X8821WR-XXK-NOSN	PART NO.:	2.50mm Crimp style Connector	DWG NO.:						
REVISION	SHEET	WEIGHT	REVISION						
	1/1	1.0g							

Recommended P.C.B Layout
 General Tolerance±0.05



PART NO	Material	Material(Pin)	Finish(Pin)	Suitable XKB Terminal
X8821WR-XXK-NOSN	Nylon 66 UL 94V-0	Brass	Tin-Plated	X8821H

Poles	Dimensions(mm)		Poles	Dimensions(mm)	
	A	B		A	B
02	2.50	7.50	12	27.50	32.50
03	5.00	10.00	13	30.00	35.00
04	7.50	12.50	14	32.50	37.50
05	10.00	15.00	15	35.00	40.00
06	12.50	17.50	16	37.50	42.50
07	15.00	20.00	17	40.00	45.00
08	17.50	22.50	18	42.50	47.50
09	20.00	25.00	19	45.00	50.00
10	22.50	27.50	20	47.50	52.50
11	25.00	30.00			

- ① Series No.
- ② Category: W-WAFER
- ③ Welding Board Angle: R-Right Angle 90°
- ④ Welding Way: Blank-DIP;
- ⑤ Row No.-Pin No.: XX-Single Row;
- ⑥ Plug the Pin & Special No.: K-KINK
- ⑦ Material: NO -PA66 94V-0
- ⑧ Plating Category: SN-Bright Tin Plating
- ⑨ Color: Blank-Natural Color

X8821 W R X-XX K -N0 SN XX

- Specifications :
- Voltage rating: 250V AC / DC
 - Current rating: 3A AC / DC
 - Withstanding voltage: 1000V AC/minute
 - Temperature range: -25°C~+85°C
 - Insulation resistance: ≥1000MΩ
 - Contact resistance: ≤10mΩ
 - After environmental testing: ≤20mΩ

REVISIONS		APPROVED	REVISED	DATE	DESCRIPTION	MARK
UNSPECIFIED TOLERANCES						
±0.5	L > 63					△ X
±0.4	16 < L ≤ 63					△ X
±0.3	4 < L ≤ 16					△ X
±0.2	L ≤ 4					△ X
±5°	ANGULAR					

For and on behalf of
KXB INDUSTRIAL PRECISION CO., LIMITED
 香港星坤工業精密有限公司

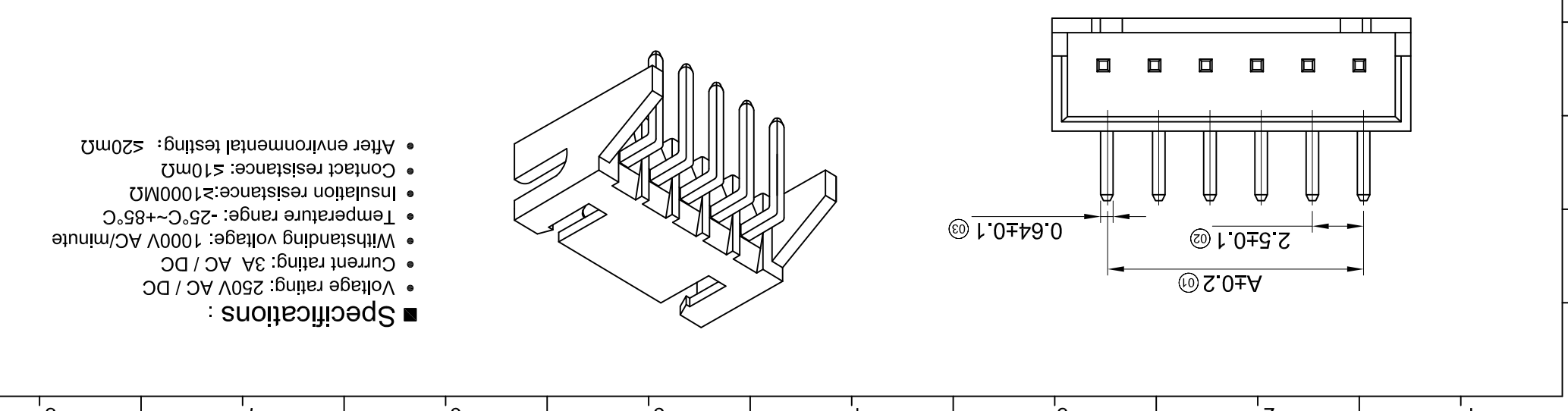
DATE	DATE	DATE	DATE	DATE	DATE	DATE	DATE
SCALE: N/A	VIEW:	PART NO.: X8821WR-XX-N0SN	2.50 mm Crimp style Connector	UNIT: mm	SIZE: A4	WEIGHT: 1.0g	REVISION: A0

DNSD	DWN	CHKD	APPD
PART NO	MATERIAL	MATERIAL(PIN)	FINISH(PIN)
X8821WR-XX-N0SN	Nylon 66 UL 94V-0	Brass	Tin-Plated

MODEL TYPE: X8821WR-XX-N0SN	Suitable KXB Terminal
X8821H	

Poles	A	B
Dimensions (mm)	2.50	7.50
	5.00	10.00
	7.50	12.50
	10.00	15.00
	12.50	17.50
	15.00	20.00
	17.50	22.50
	20.00	25.00
	22.50	27.50
	25.00	30.00
	27.50	32.50
	30.00	35.00
	32.50	37.50
	35.00	40.00
	37.50	42.50
	40.00	45.00
	42.50	47.50
	45.00	50.00
	47.50	52.50

- X8821 W R X-XX X-N0 SN XX
- ① Series No.
 - ② Category: W-WAFER
 - ③ Welding Board Angle: V-180° ; R-90°
 - ④ Welding Way: Blank-DIP ; S-SMT
 - ⑤ Row No.-Pin No.: XX-Single Row ; 2*XX-Double Row
 - ⑥ Plug the Pin & Special No.:
 - ⑦ Material: N0 -PA66 94V-0
 - ⑧ Plating Category: G**-Gold Plated Contact
 - ⑨ V**- All Gold-Plated
 - 01-Gold Flash 02-2u" 03-3u"
 - 05-5u" 10-10u" 15-15u"
 - SN-Bright Tin Plating (70-120u")
 - SN-1 Bright Tin Plating (120u" Min).
 - 0-No Plating Material
 - SW-Fog Tin Plating
 - HS-Hight temperature Tin
 - ⑩ Color : Blank-Natural Color ;



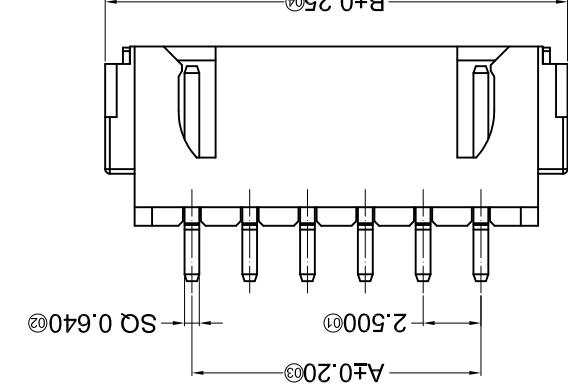
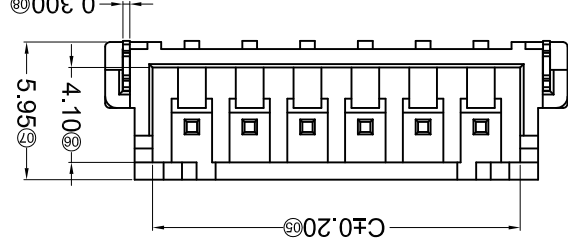
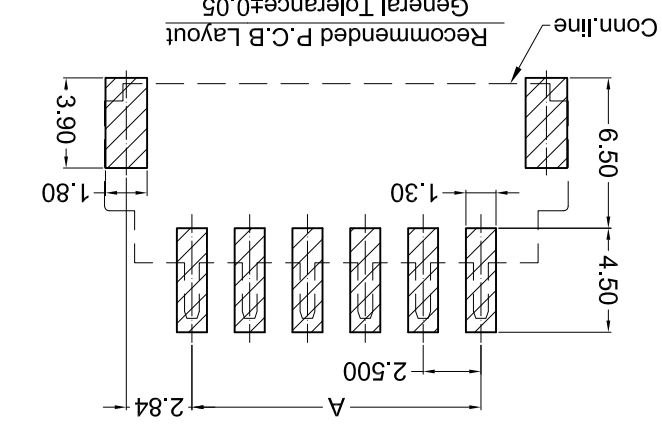
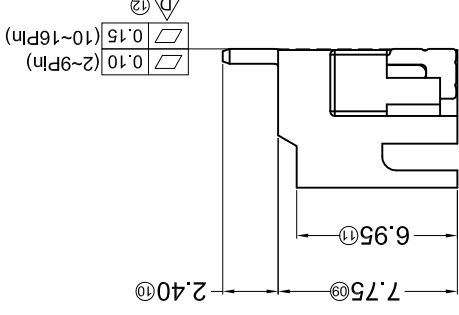
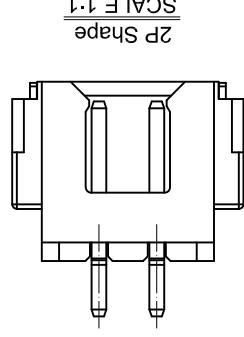
- Specifications :**
- Voltage rating: 250V AC / DC
 - Current rating: 3A AC / DC
 - Withstanding voltage: 1000V AC/minute
 - Temperature range: -25°C~+85°C
 - Insulation resistance: ≥1000MΩ
 - Contact resistance: ≤10mΩ
 - After environmental testing: ≤20mΩ

	<i>Unspecified Tolerances</i>								
MARK	DESCRIPTION					DATE	REVISION	APPROVED	UNSPECIFIED TOLERANCES
△X									L > 63 ± 0.5
△X									16 < L ≤ 63 ± 0.4
△X									4 < L ≤ 16 ± 0.3
									L ≤ 4 ± 0.2
									ANGULAR ± 5°
		<i>For and on behalf of</i>							
		KXB INDUSTRIAL PRECISION CO., LIMITED							
		香港星坤工業精密有限公司							
		<i>Revisions (Signature(s))</i>							
REV	DATE	DESCRIPTION	APPROVED		UNSPECIFIED TOLERANCES	DATE		REVISION	APPROVED

DNSD	DATE	SCALE: N/A	MODEL TYPE: X8821WRS-XX-9TXXX
DWN	DATE	VIEW:	PART NO.:
CHKD	DATE	UNIT: mm	2.50mm Crimp Style Connector
APPD	DATE	SIZE: A4	DWG NO.:
REVISION	SHEET	WEIGHT	1.0g
		REVISION	A0

PART NO	Material	Solder (Pin and Tabs)	Finish (Pin)	Finish (Solder Tabs)	Suitable XKB Terminal
X8821WRS-XX-9T101	PA 9T UL 94V-0	Brass	Tin-Plated	Tin-Plated	X8821H
X8821WRS-XX-9T101		Gold Flash	Tin-Plated	Tin-Plated	

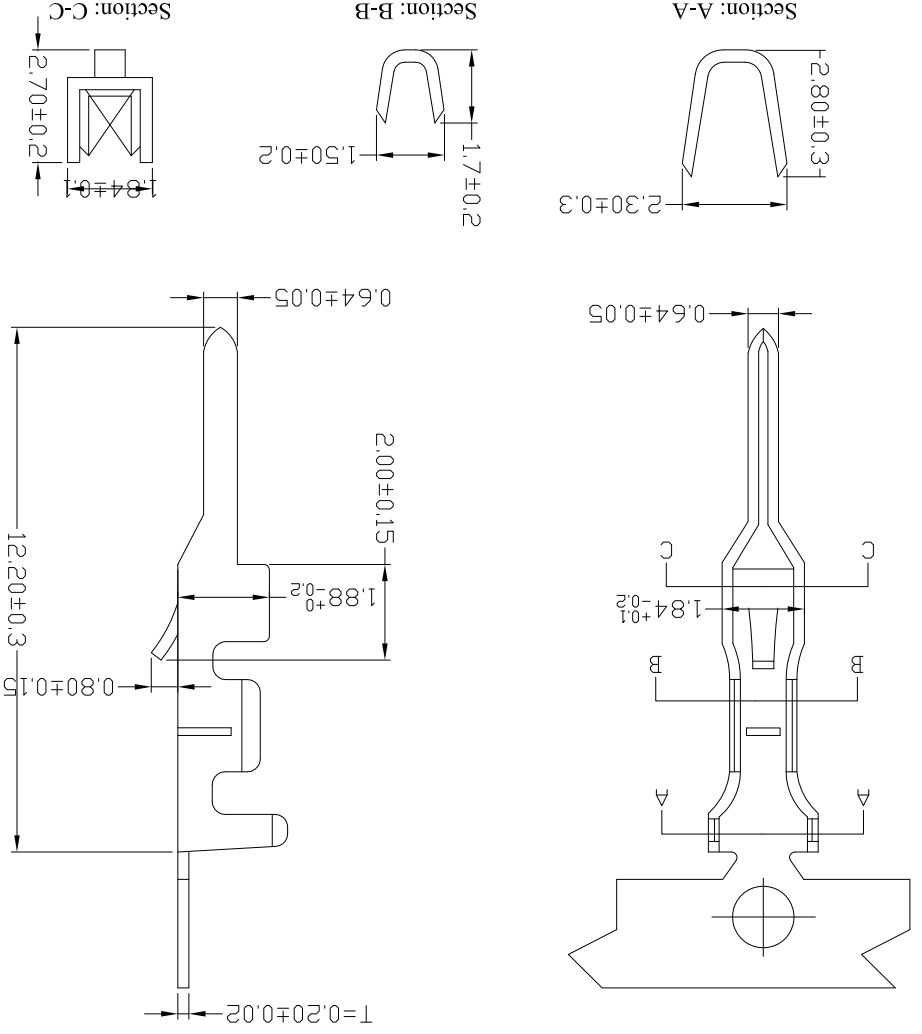
Poles	Dimensions (mm)		
	A	B	C
02	2.50	10.00	5.90
03	5.00	12.50	8.40
04	7.50	15.00	10.90
05	10.00	17.50	13.40
06	12.50	20.00	15.90
07	15.00	22.50	18.40
08	17.50	25.00	20.90
09	20.00	27.50	23.40



- ① Series No. X8821 W R S-XX-X-9T XX XX
- ② Category: W-WAFER
- ③ Welding Board Angle: R-Right Angle 90°
- ④ Welding Way: S-SMT
- ⑤ Row No.-Pin No.: XX-02P~16P
- ⑥ Plug the Pin & Special No.:
- ⑦ Material: 9T-PA9T UL 94V-0
- ⑧ Plating Category: SN-Bright Tin Plating
- ⑨ Color : Blank-Natural Color
- ⑩ V01-All Gold Flash

- Specifications :
- Voltage rating: 250V AC / DC
- Current rating: 3A AC / DC
- Withstanding voltage: 1000V AC/minute
- Temperature range: -25°C~+85°C
- Insulation resistance: ≥1000MΩ
- Contact resistance: ≤10mΩ
- After environmental testing : ≤20mΩ

PART NO	Material	Wire Range	Insulation O.D.	Finish	Suitable XKB Terminal
X8821TM-PSN	Phosphor Bronze	AWG#22-26	1.90mm(Max)	Stamping Before Plating:30-50u" Ni;70-120u"Sn	X8821HF



For and on behalf of
XKB INDUSTRIAL PRECISION CO., LIMITED
 香港星坤工業精密有限公司

MARK	DESCRIPTION	DATE	REVISIONS	UNSPECIFIED TOLERANCES
△X				L > 63 ±0.5
△X				16 < L ≤ 63 ±0.4
△X				4 < L ≤ 16 ±0.3
				L ≤ 4 ±0.2
				ANGULAR ±5°

REVISION	SHEET	WEIGHT	XKB INDUSTRIAL PRECISION CO., LIMITED		
A0	1/1	1.0g	SIZE: A4	DATE	DATE
			UNIT: mm	DATE	DATE
			VIEW:	DATE	DATE
			SCALE: N/A	DATE	DATE
			MODEL TYPE: X8821TM-PSN		
			PART NO.: 2.50 mm Crimp Style connectors		
			DWG NO.:		

- Specifications(规格):
- Voltage rating(额定电压): 250V AC / DC
 - Current rating(额定电流): 3A AC / DC
 - Withstanding voltage(耐压值): 1000V AC/minute
 - Temperature range(工作温度): -25°C~+85°C
 - Insulation resistance(绝缘电阻): ≥1000MΩ
 - Contact resistance(接触电阻): ≤10mΩ
 - After environmental testing(环境测试后): ≤20mΩ
- ①系列
 ②类别: T端子
 ③外观形态: M-公端
 ④材质: P-磷铜
 ⑤电镀类别: G**-镀金 V**-镀全金
 ⑥电镀方式: 0-素材 SW-镀雾锡 SN-镀亮锡(70-120U) SN1-镀亮锡(120U"Min.) *10-10U" *15-15U" *30-30U" *50-50U" *01-Gold Flash *02-2U" *03-3U" *05-5U"
 ⑦型号/MARK及特殊码

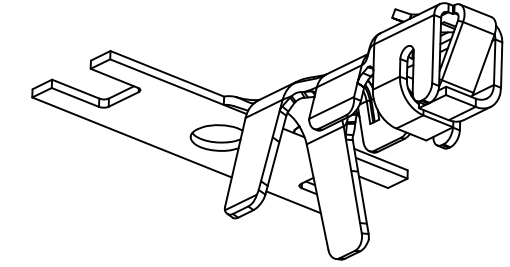
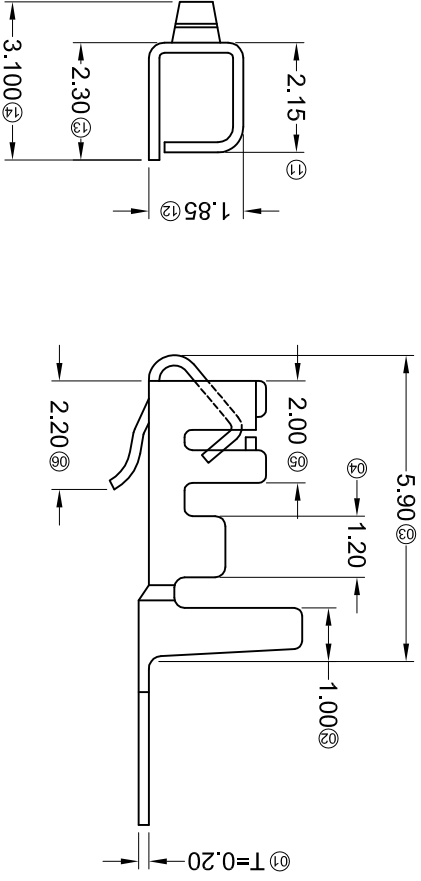
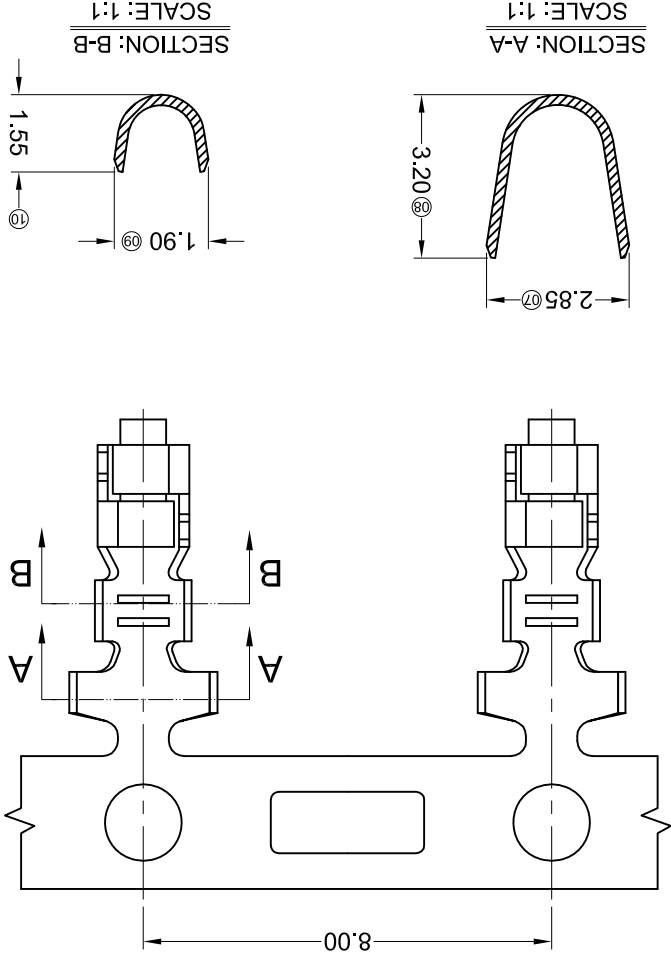
X8821 T M-P SN X-X
 ① ② ③ ④ ⑤ ⑥ ⑦

For and on behalf of
KXB INDUSTRIAL PRECISION CO., LIMITED
 香港星坤工業精密有限公司

Revisions Authorized Signatures(s)

MARK	DESCRIPTION	DATE	REVISED	APPROVED	UNSPECIFIED TOLERANCES
△ X					L > 63 ± 0.5
△ X					16 < L ≤ 63 ± 0.4
△ X					4 < L ≤ 16 ± 0.3
					L ≤ 4 ± 0.2
					ANGULAR ± 5°

REVISION	SHEET	WEIGHT	KXB INDUSTRIAL PRECISION CO., LIMITED			
A0	1/1	1.0g	DATE	DATE	DATE	DATE
			SCALE: N/A	VIEW:	PART NO.: X8821T-BSNB	MODEL TYPE: X8821T-BSNB
			UNIT: mm	2.50mm Crimp Style Connectors	DWG NO.:	
			SIZE: A4			



- Specifications :**
- Voltage rating: 250V AC / DC
 - Current rating: 3A AC / DC
 - Withstanding voltage: 1000V AC/minute
 - Temperature range: -25°C~+85°C
 - Insulation resistance: ≥1000MΩ
 - Contact resistance: ≤10mΩ
 - After environmental testing: ≤20mΩ
- X8821 T X-B SN X - X**
- ① Series Number
 ② Category: T-terminal
 ③ Shape: Blank-ordinary
 ④ Material: B-Brass P-Phosphor bronze
 ⑤ Plating style: SN-Bright tin plating
 ⑥ Plating method: Blank-stamping before plating
 B-Plating before stamping
 ⑦ Mold No./Mark/Special No.

PART NO	Material	Wire Range	Insulation O.D.	Finish
X8821T-BSN	Brass	AWG#22-26	1.90mm(Max)	Stamping Before Plating:30u" Ni:70u"Sn
X8821T-BSNB				Stamping Before Plating:10u" Ni:40u"Sn
X8821T-PSNB	Phosphor Bronze			Stamping Before Plating:30u" Ni:70u"Sn
X8821T-PSN				Stamping Before Plating:10u" Ni:40u"Sn

PART NO	Finish
X8821H	Stamping Before Plating:10u" Ni:40u"Sn
	Stamping Before Plating:30u" Ni:70u"Sn
	Suitable XKB Terminal

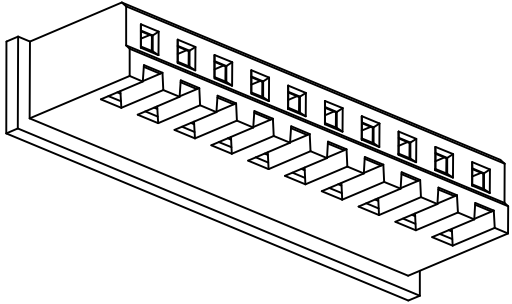
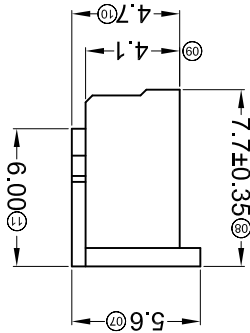
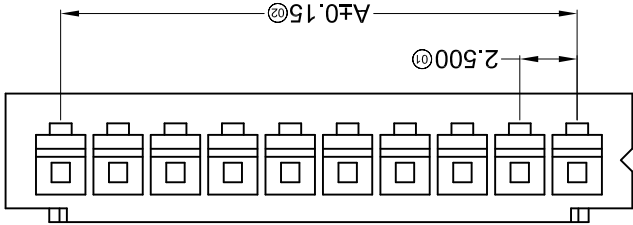
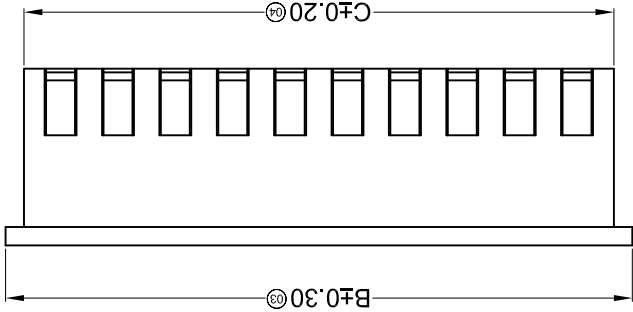
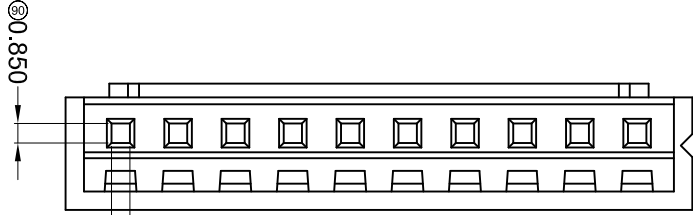
Authorized Signatures

For and on behalf of
KKB INDUSTRIAL PRECISION CO., LIMITED
 香港星坤工業精密有限公司

MARK	DESCRIPTION	DATE	REVISED	APPROVED	UNSPECIFIED TOLERANCES
△X					L > 63 ±0.5
△X					16 < L ≤ 63 ±0.4
△X					4 < L ≤ 16 ±0.3
					L ≤ 4 ±0.2
					ANGULAR ±5°

REVISION	SHEET	WEIGHT	KKB INDUSTRIAL PRECISION CO., LIMITED			
A0	1/1	1.0g	SIZE: A4	DATE	DATE	DATE
			UNIT: mm	DATE	DATE	DATE
			VIEW:	DATE	DATE	DATE
			SCALE: N/A	DATE	DATE	DATE
			MODEL TYPE: X8821H-XX-N0			
			PART NO.: 2.50mm Crimp style Connector			
			DWG NO.:			

PART NO	Material	Suitable XKB Terminal	Suitable XKB Terminal
X8821H-XX-N0	Nylon 66 UL 94V-0	X8821T	X8821W, 8821HF



Poles	Dimensions(mm)		
	A	B	C
02	2.50	7.30	5.70
03	5.00	9.80	8.20
04	7.50	12.30	10.70
05	10.00	14.80	13.20
06	12.50	17.30	15.70
07	15.00	19.80	18.20
08	17.50	22.30	20.70
09	20.00	24.80	23.20

- ① Series No.
- ② Category: H-HSG
- ③ Appearance type: Blank-Ordinary
- ④ Row No.-Pin No.: XX-Single Row
- ⑤ Plug the Pin & Special No. Blank-Ordinary
- ⑥ Material: N0-PA66 94V-0
- ⑦ Color: Blank : Natural Color

X8821 H X-XX X-N0 XX

- Voltage rating: 250V AC / DC
- Current rating: 3A AC / DC
- Withstanding voltage: 1000V AC/minute
- Temperature range: -25°C~+85°C
- Insulation resistance: ≥1000MΩ
- Contact resistance: ≤10mΩ
- After environmental testing: ≤20mΩ

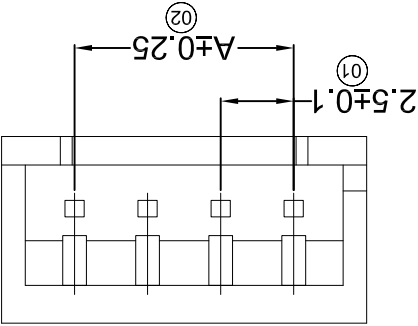
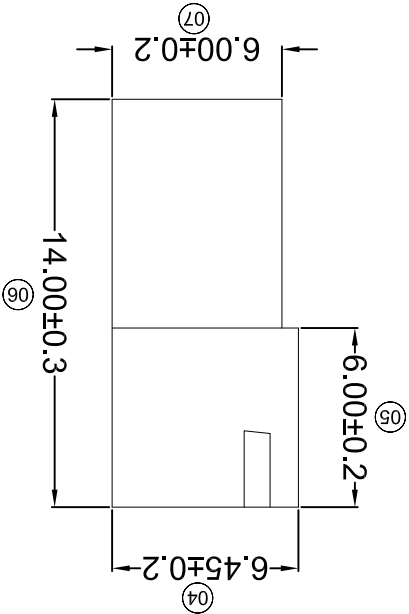
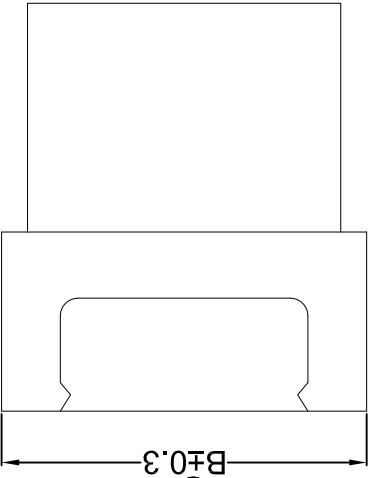
■ Specifications :

For and on behalf of
XKB INDUSTRIAL PRECISION CO., LIMITED
 香港星坤工業精密有限公司

REVISIONS
 Authorized Signature(s)

MARK	DESCRIPTION	DATE	REVISED	APPROVED	UNSPECIFIED TOLERANCES
△X					L > 63
△X					16 < L ≤ 63
△X					4 < L ≤ 16
					L ≤ 4
					ANGULAR
					±5°

DSND	DATE	SCALE: N/A	MODEL TYPE: X8821HF-XX-N0
DWN	DATE <td>VIEW: </td> <td>PART NO.:</td>	VIEW:	PART NO.:
CHKD	DATE <td>UNIT: mm</td> <td>2.50 mm Crimp style Connector</td>	UNIT: mm	2.50 mm Crimp style Connector
APPD	DATE <td>SIZE: A4</td> <td>DWG NO.:</td>	SIZE: A4	DWG NO.:
		WEIGHT	1.0g
		SHEET	1/1
		REVISION	A0



PART NO	Material	Suitable XKB Terminal	Suitable XKB Terminal
X8821HF-XX-N0	Nylon 66 UL 94V-0	X8821TM	X8821W、8821H

Poles	Dimensions (mm)	
	A	B
02	2.50	7.50
03	5.00	10.00
04	7.50	12.50
05	10.00	15.00
06	12.50	17.50
07	15.00	20.00
08	17.50	22.50
09	20.00	25.00
10	22.50	27.50
11	25.00	30.00
12	27.50	32.50
13	30.00	35.00
14	32.50	37.50
15	35.00	40.00
16	37.50	42.50
17	40.00	45.00
18	42.50	47.50
19	45.00	50.00
20	47.50	52.50

- X8821 H F-XX X-N0 XX**
- ① Series No.
 - ② Category: H-HSG
 - ③ Appearance type: F-Female
 - ④ Row No.-Pin No.: XX-Single Row
 - ⑤ Plug the Pin & Special No. Blank-Ordinary
 - ⑥ Material: N0-PA66 94V-0
 - ⑦ Color: Blank: Natural Color

- Specifications:**
- Voltage rating: 250V AC / DC
 - Current rating: 3A AC / DC
 - Withstanding voltage: 1000V AC/minute
 - Temperature range: -25°C~+85°C
 - Insulation resistance: ≥1000MΩ
 - Contact resistance: ≤10mΩ
 - After environmental testing: ≤20mΩ

X-ON Electronics

Largest Supplier of Electrical and Electronic Components

Click to view similar products for [Headers & Wire Housings](#) category:

Click to view products by [XKB](#) manufacturer:

Other Similar products are found below :

[95000-104TRLF](#) [10135584-644402LF](#) [DF62W-EP2022PCA](#) [95000-106TRLF](#) [DF62W-2022SCA](#) [DF62W-EP2022PC](#) [2203348](#) [DF62W-2022SC](#) [1084018](#) [1029039](#) [1084017](#) [802-10-012-10-002000](#) [1112640](#) [1112639](#) [891-007-9SS-BST1T](#) [000-34000](#) [0008550134](#) [0009482033](#) [0009507031](#) [57102-F02-18ULF](#) [57102-S06-03LF](#) [57202-S52-04LF](#) [PCN6-15S-2.5E](#) [0039019024](#) [58102-G61-06LF](#) [582553-1](#) [0009485154](#) [0009508121](#) [0022285053](#) [0050291907](#) [018731A](#) [LY20-4P-DT1-P1E-BR](#) [02.125.8002.8](#) [60101931](#) [60598-1 \(Cut Strip\)](#) [M1625-3R/100](#) [61062-3](#) [61082-181009](#) [CSU011177004](#) [636-1427](#) [638009-1](#) [641938-9](#) [641991-4](#) [644168-1](#) [644827-2](#) [647662-1](#) [65039-019ELF](#) [65692-001LF](#) [65781-018](#) [65781-047](#)