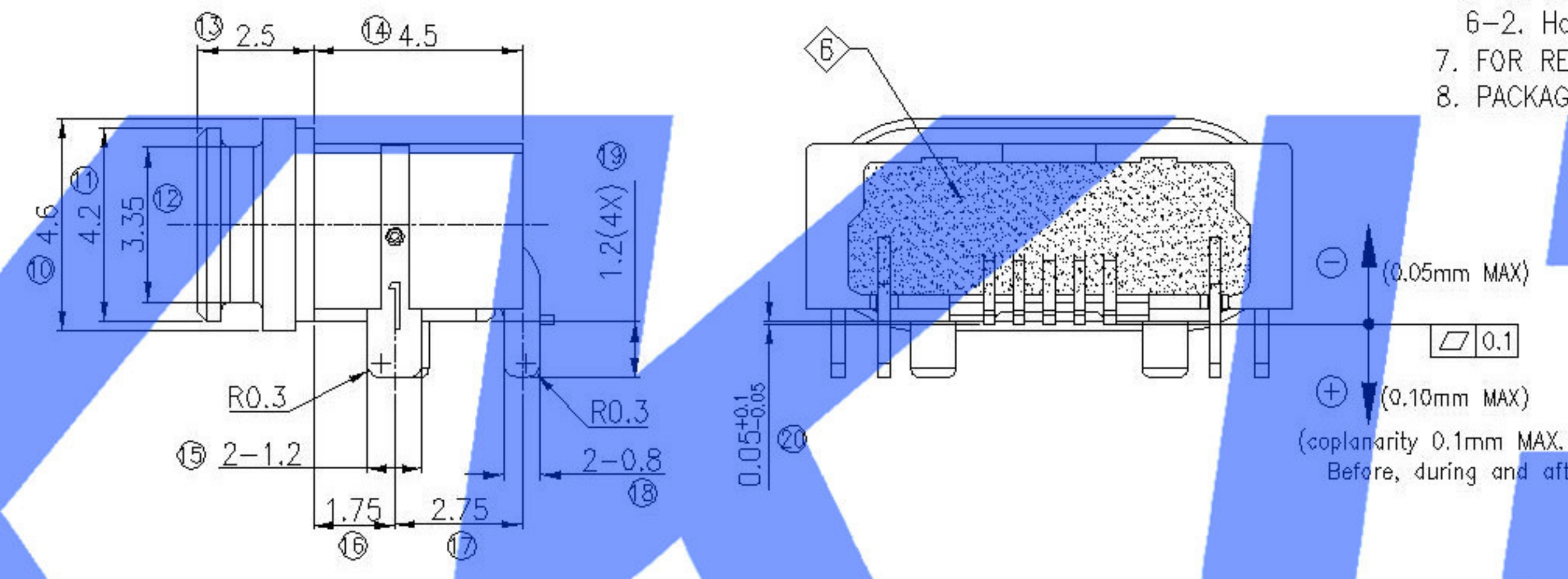
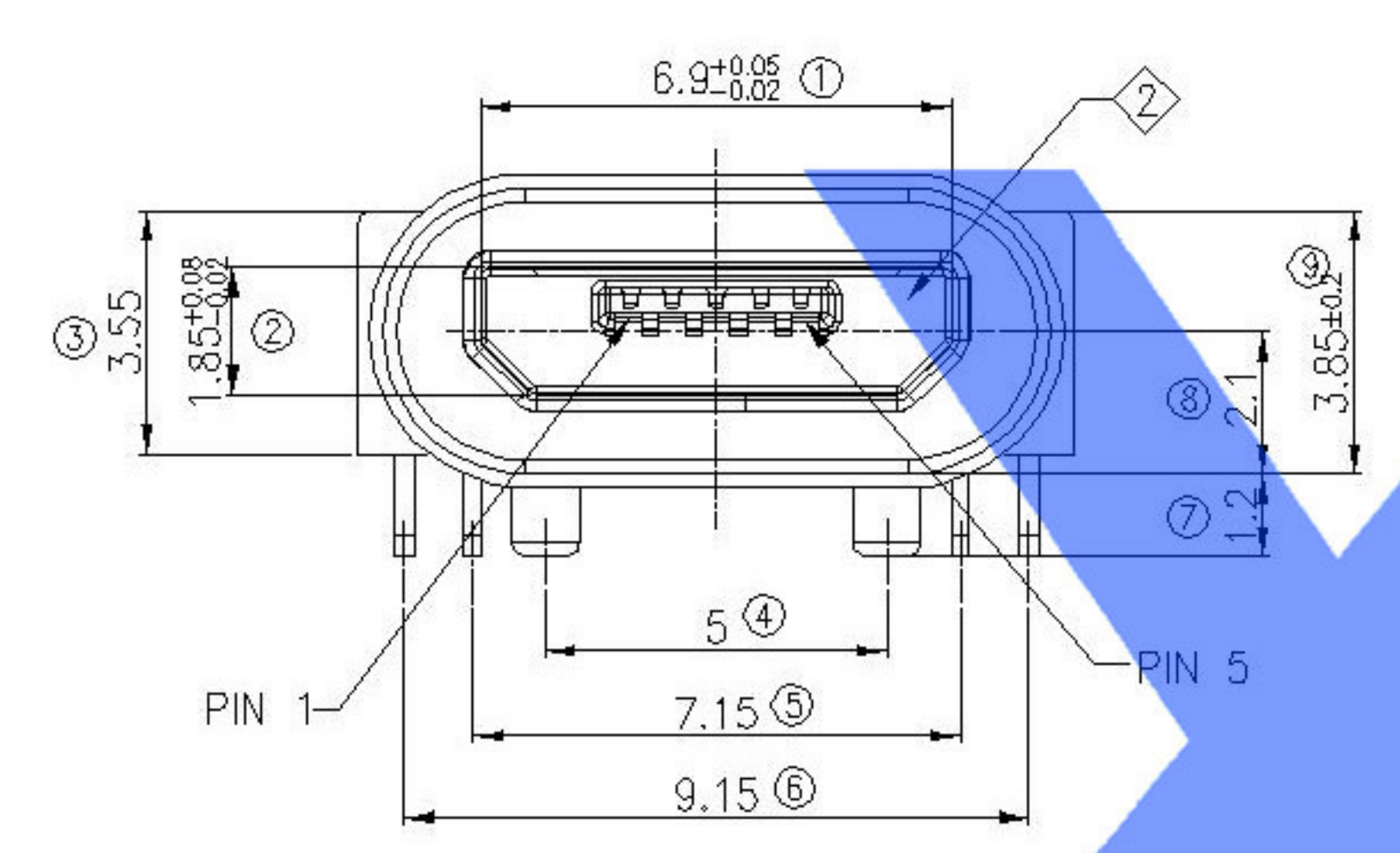
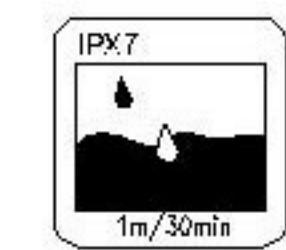
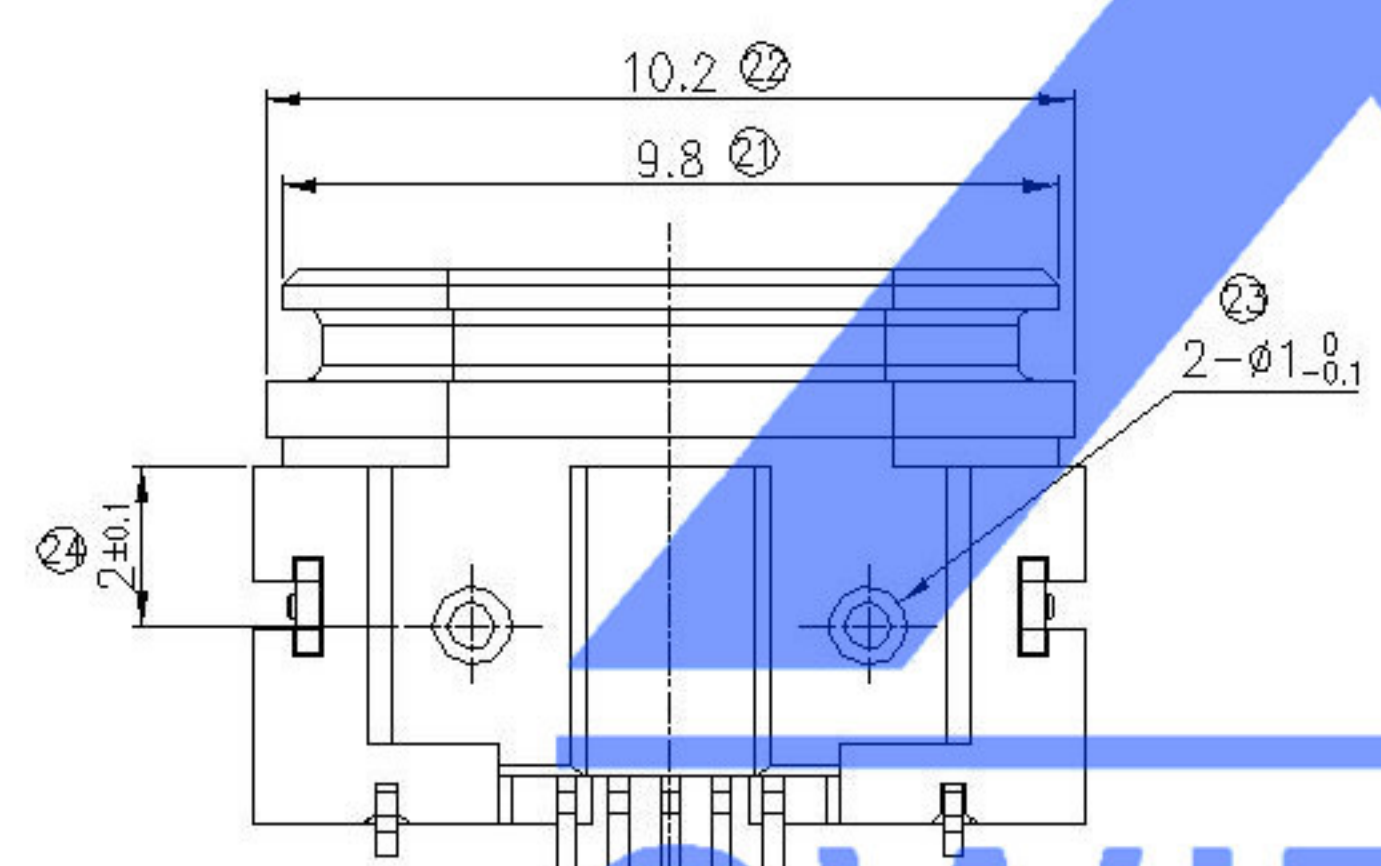


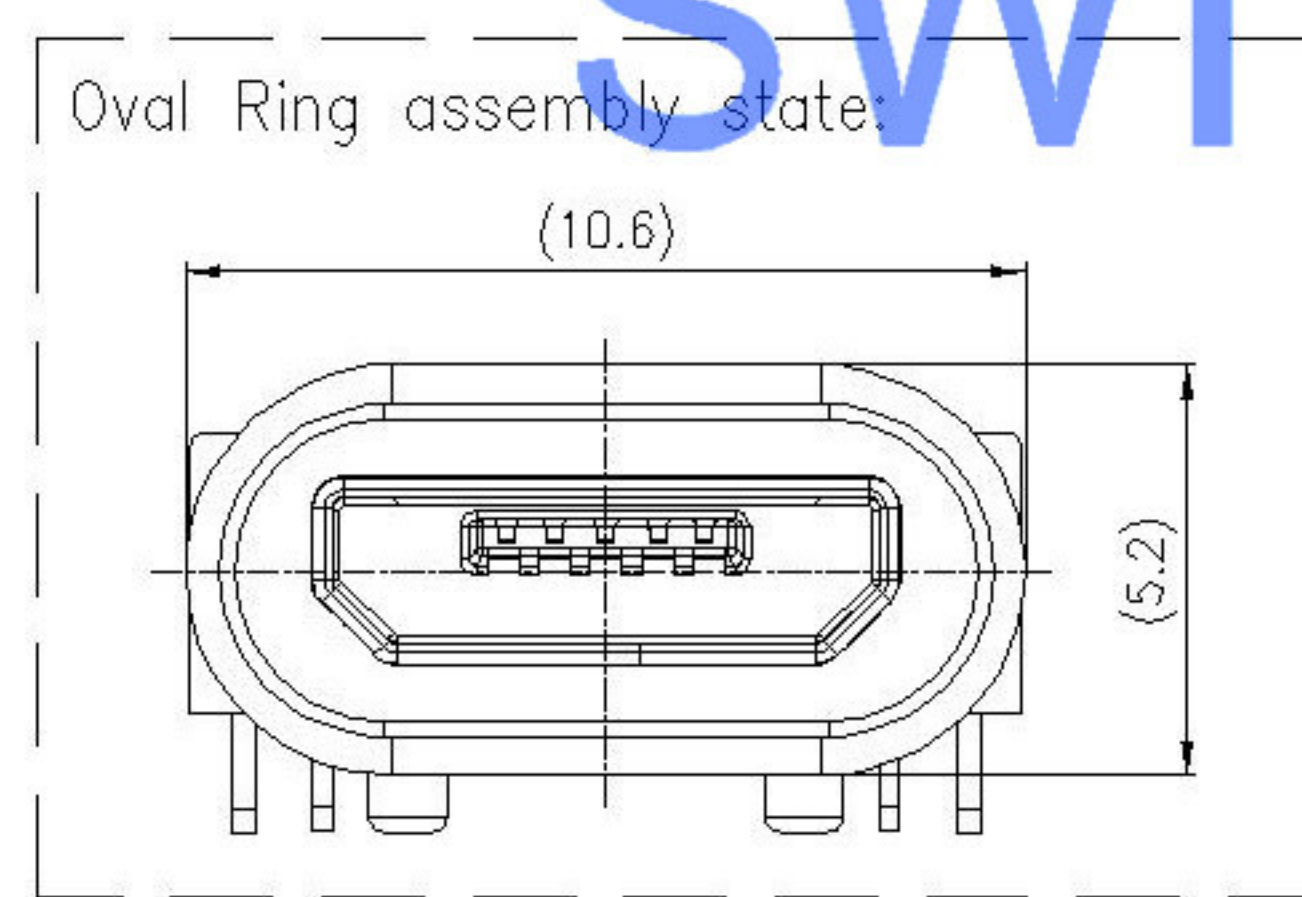
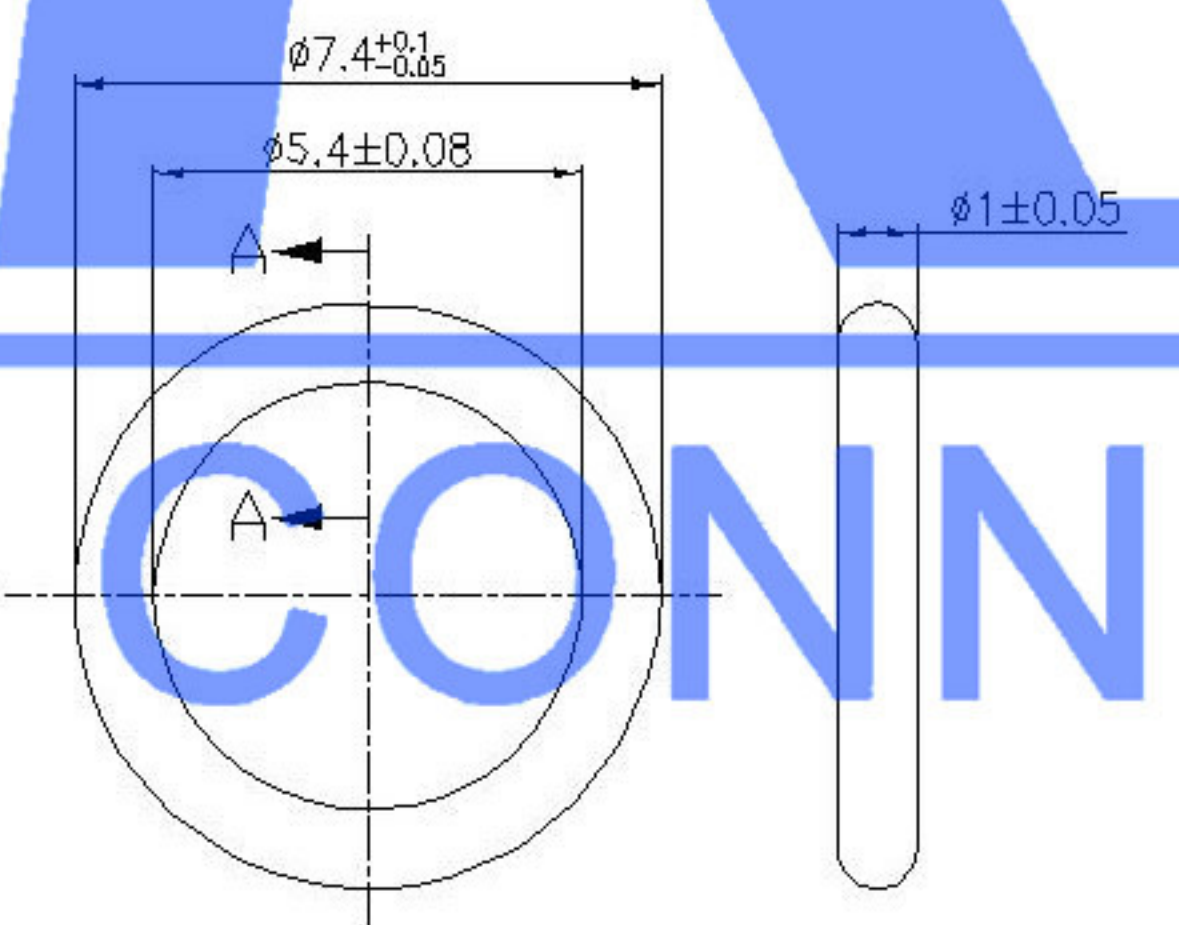
- SPECIFICATIONS:**
- ELECTRICAL CHARACTERISTICS:**
 - 1-1. RATING: 1.8A (PIN1/5), 0.5A (PIN2/3/4)
 - 1-2. CONTACT RESISTANCE: 30mΩ MAX.(INITIAL)
 - 1-3. DIELECTRIC WITHSTANDING VOLTAGE: 300V AC FOR ONE MINUTE.
 - 1-4. INSULATION RESISTANCE: 100MΩ MIN. MEASURED BY 500 VDC
 - MECHANICAL CHARACTERISTICS:**
 - 2-1. INSERTION FORCE : 3.6 KGF (MAX)
 - 2-2. WITHDRAWAL FORCE : 0.8 KGF(Reference)
 - DURABILITY:** 10,000 CYCLES .
 - WATER PROOFNESS:** THIS PRODUCT IS BASED ON IPX7(1m,30min)
 - PLUG INTERFACE DIMENSIONS** COMFORM TO USB2.0 SPEC.
 - OVAL RING**
 - 6-1. The amount of low molecular siloxanes(D3~D10)is less than 200ppm
 - 6-2. Hardness of silicone rubber:70°
 - FOR REFLOW SOLDERING LEAD-FREE PROCESS.**
 - PACKAGING:** TAPE & REEL.



(0.05mm MAX)
 (0.10mm MAX)
 (coplanarity 0.1mm MAX.
 Before, during and after Reflow)



Oval ring drawing:



Note:Waterproof ring need not assembled on the product, to form a complete set of product shipped separately.

ITEM	PART NAME	TERMINAL	QTY	MATERIAL	REMARK
⑥	BOND		1		
⑤	TERMINAL		2	C2680 T=0.3	1st: Ni(MIN 40u" or more) 2nd:Sn(MIN 80u" or more)
④	CONTACT	No.1 - No.5	5	C18140H T=0.20	Gold flash plating Matte Tin 40u"min on solder tail Nickel 40u"min plating all over.
③	SHELL		1	SUS 304 T=0.25	Nickel 40u"min plating all over
②	INSERT MOLDING		1	LCP(E130),BLACK	UL94 V-0
①	HOUSING		1	PA9T(GP2450),BLACK	UL94 V-0

UNLESS OTHERWISE SPECIFIED, TOLERANCE ON DECIMAL:±0.3

MARK	DESCRIPTION	DATE	REVISED	APPROVED	UNSPECIFIED TOLERANCES	DSND	DATE	SCALE: N/A	MODEL TYPE: MICRO USB		
Δ X					ANGLAR ±5°	DWN	DATE	VIEW:	PART NO.:		
Δ X					L ≤ 4 ±0.2	CHKD	DATE	UNIT: mm	DWG NO.:		
Δ X					4 < L ≤ 16 ±0.3	APPD	DATE	SIZE: A4	U-E-M7SS-Y-1		
MARK					16 < L ≤ 63 ±0.4				WEIGHT	SHEET	REVISION
					L > 63 ±0.5				1.0g	1/1	A0
						XKB INDUSTRIAL PRECISION CO.,LIMITED					

X-ON Electronics

Largest Supplier of Electrical and Electronic Components

Click to view similar products for [USB Connectors](#) category:

Click to view products by [XKB](#) manufacturer:

Other Similar products are found below :

[10033527-N3112MLF](#) [17-210561](#) [GMCB05B11124H1EU](#) [17-200931](#) [65-647-8-BK-BU](#) [690-010-295-484](#) [73725-1191BLF](#) [950](#) [E8144-B01021-L](#) [A-USB A-LP-SMT-C](#) [A-USB B-TOP-C](#) [MUSBA511N5](#) [MUSBB15131](#) [MUSBC111M5](#) [MUSBD11135](#) [217450-1](#) [CA 6 W LD](#)
[896-30-004-00-000000](#) [KUSBVX-BS1N-W30](#) [KUSBX-AP-KIT-SCBLK](#) [KUSBX-AS2N-W](#) [KUSBX-SMT2AP1S-W](#) [KUSBX-SMTAS1NBTR](#) [KUSBX-SMTBS1NBTR](#) [30-498-6](#) [SK-60A-2](#) [17-200261](#) [17-210051](#) [1734082-1](#) [FK-37-32SL](#) [30-1574](#) [30-470](#) [30-489](#) [30-541](#) [30-572-3](#) [30-9503](#) [M9177/2-1](#) [MAB 5 S](#) [MIKROE-1451](#) [33UBBR-04SW11R](#) [USBFTV2PEM2G](#) [USBFTVC6ZN](#) [USBFTVSCCG](#)
[KUSBX-AS2N-W30](#) [KUSBX-SLAS1N-W](#) [KUSBX-SLAS1N-W30](#) [1-1734084-2](#) [E8110-001-01](#) [MUSBC11135](#) [NK-27-32SL](#)