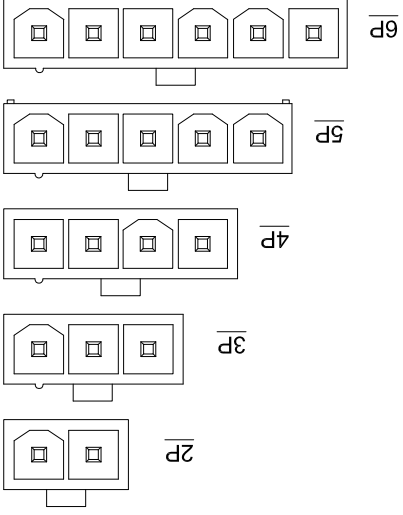
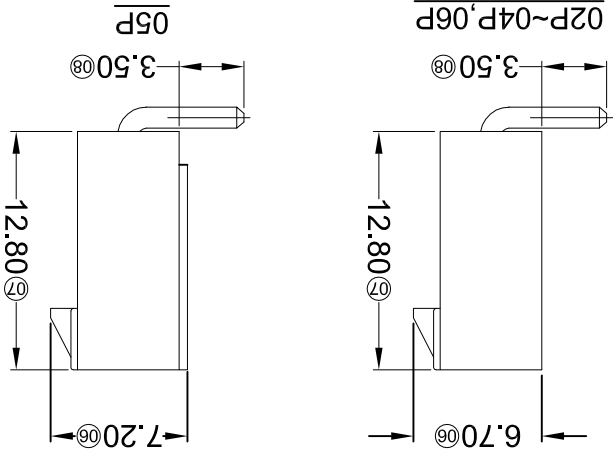


Recommended P.C.B Layout
General Tolerance±0.05



Poles	Dimensions(mm)	
	A	B
02	4.20	9.60
03	8.40	13.80
04	12.60	18.00
05	16.80	22.20
06	21.00	26.40

PART NO	Material	Material(Pin)	Finish(Pin)	Suitable XKB Terminal
X9357WR-XXX-9TSN	Nylon 9T UL 94V-0	Brass	Tin-Plated	X9357H
X9357WR-XXX-6TSN	Nylon 6T UL 94V-0			
X9357WR-XXX-LPSN	LCP UL 94V-0			
X9357WR-XXX-N0SN	Nylon 66 UL 94V-0			
X9357WR-XXX-N2SN	Nylon 66 UL 94V-2			
X9357WR-XXX-9TSN	Nylon 9T UL 94V-0			

■ Specifications :

- Voltage rating: 600V AC / DC
- Current rating: 9A AC / DC
- Withstanding voltage: 1500V AC/minute
- Temperature range: -25°C~+85°C
- Insulation resistance: ≥1000MΩ
- Contact resistance: ≤10mΩ
- After environmental testing : ≤20mΩ

- ①7 Series No.
- ①2 Category: W-water
- ①3 Welding Board Angle: R-Right Angle 90°
- ①4 Welding Way: Blank-DIP
- ①5 Row No.-Pin No.: XX-02P~06P
- ①6 Special NO.:
- ①7 Material: N0-PA66 94V-0; LP-LCP 94V-0; N2-PA66 94V-2; 9T-PA9T 94-0; 6T-PA6T 94V-0
- ①8 Plating Category: SN-Bright tin plating
- ①9 Color: Blank-natural color

X9357 W R X- XX X-XX SN XX
①1 ①2 ①3 ①4 ①5 ①6 ①7 ①8 ①9

For and on behalf of
KKB INDUSTRIAL PRECISION CO., LIMITED
香港星坤工業精密有限公司

REVISIONS
(Authorized Signatures)

MARK	DESCRIPTION	DATE	REVISED	APPROVED	UNSPECIFIED TOLERANCES	APPD	DATE	SIZE: A4	WEIGHT	SHEET	REVISION
△X					L > 63 ±0.5				1.0g	1/1	A0
△X					16 > L ≤ 63 ±0.4	CHKD	DATE	UNIT: mm			
△X					4 > L ≤ 16 ±0.3		DATE	VIEW:			
					L ≤ 4 ±0.2	DWN	DATE	PART NO.:			
					ANGULAR ±5°	DSND	DATE	SCALE: N/A			

MODEL TYPE: X9357WR-XX-XXSN
PART NO.:
4.20mm Crimp Style connectors
DWG NO.:

X-ON Electronics

Largest Supplier of Electrical and Electronic Components

Click to view similar products for [Headers & Wire Housings](#) category:

Click to view products by [XKB](#) manufacturer:

Other Similar products are found below :

[95000-104TRLF](#) [10135584-644402LF](#) [DF62W-EP2022PCA](#) [95000-106TRLF](#) [DF62W-2022SCA](#) [DF62W-EP2022PC](#) [2203348](#) [DF62W-2022SC](#) [1084018](#) [1029039](#) [1084017](#) [802-10-012-10-002000](#) [1112640](#) [1112639](#) [891-007-9SS-BST1T](#) [000-34000](#) [0008550134](#) [0009482033](#) [0009507031](#) [57102-F02-18ULF](#) [57102-S06-03LF](#) [57202-S52-04LF](#) [PCN6-15S-2.5E](#) [0039019024](#) [58102-G61-06LF](#) [582553-1](#) [0009485154](#) [0009508121](#) [0022285053](#) [0050291907](#) [018731A](#) [LY20-4P-DT1-P1E-BR](#) [02.125.8002.8](#) [60101931](#) [60598-1 \(Cut Strip\)](#) [M1625-3R/100](#) [61062-3](#) [61082-181009](#) [CSU011177004](#) [636-1427](#) [638009-1](#) [641938-9](#) [641991-4](#) [644168-1](#) [644827-2](#) [647662-1](#) [65039-019ELF](#) [65692-001LF](#) [65781-018](#) [65781-047](#)