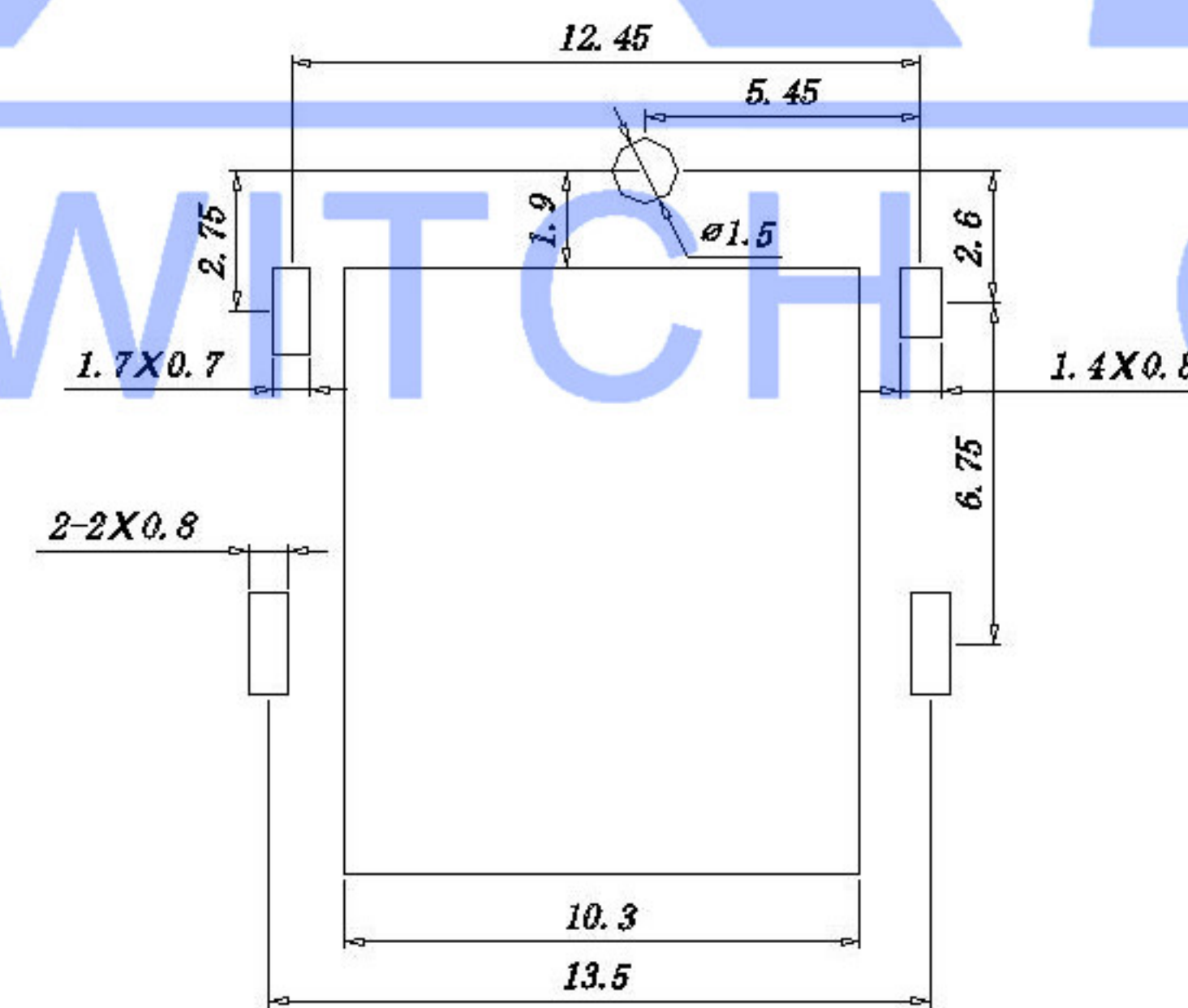


XKKB

SWITCH CONNECTOR

| SPECIFICATION | |
|--------------------------|------------------|
| Rating | DC 20V 5.5A |
| Contact resistance | ≤0.03Ω |
| Insulation resistance | ≥100MΩ |
| Withstand voltage | AC500V(50Hz)/min |
| Insertion and extraction | 3-20N |
| Use temperature range | -30-70℃ |
| Life test | 5000 cycles |

| | |
|------------|--------------|
| SCHMATIC | |
| Model | DC-C300-5.5A |
| Center Pin | Ø1.65 mm |
| | Ø2.0 mm |
| | Ø2.5 mm |



P.C.B LAYOUT TOP VIEW

| NO. | DESCRIPTION | QTY | MATERIAL | COLOR | REMARK |
|-----|-----------------|-----|-----------|--------|------------|
| 7 | PIN | 1 | H62 Brass | | Tin plated |
| 6 | Shielding cover | 1 | H62 Brass | T=0.30 | Tin plated |
| 5 | COVER PLATE | 1 | SUS301 | T=0.10 | |
| 4 | SHRAPNEL | 1 | H62 C5191 | T=0.30 | Tin plated |
| 3 | Sheet metal | 1 | H62 Brass | T=0.40 | Tin plated |
| 2 | plastic clip | 1 | PPA | BLACK | |
| 1 | BASE | 1 | PPA | BLACK | |

| | | | | | |
|--------------------------------------|------|------------|------------------------------|-------|----------|
| DSND | DATE | SCALE: N/A | MODEL TYPE: DC POWER JACK | | |
| DWN | DATE | VIEW: | PART NO.: | | |
| CHKD | DATE | UNIT: mm | DWG NO.: | | |
| APPD | DATE | SIZE: A4 | DC-C300-5.5A-2.0 | | |
| XKB INDUSTRIAL PRECISION CO.,LIMITED | | | WEIGHT | SHEET | REVISION |
| | | | 1.0g | 1/1 | A0 |

| MARK | DESCRIPTION | DATE | REVISED | APPROVED | UNSPECIFIED TOLERANCES |
|------|-------------|------|---------|----------|------------------------|
| △X | | | | | ANGLAR ±5° |
| △X | | | | | L ≤ 4 ±0.2 |
| △X | | | | | 4 < L ≤ 16 ±0.3 |
| | | | | | 16 < L ≤ 63 ±0.4 |
| | | | | | L > 63 ±0.5 |

X-ON Electronics

Largest Supplier of Electrical and Electronic Components

Click to view similar products for [DC Power Connectors](#) category:

Click to view products by [XKB](#) manufacturer:

Other Similar products are found below :

[1600206-1](#) [163-0301-EX](#) [163-0302](#) [163-0308-EX](#) [163-0310-EX](#) [163-1061-EX](#) [163-1100-EX](#) [163-4024](#) [163-4117-EX](#) [163-4118-EX](#) [163-5005-E](#) [163-7421](#) [163-MJ22-EX](#) [171-0721-EX](#) [171-0725-EX](#) [171-3118-EX](#) [171-3210-E](#) [171-3221-EX](#) [171-3222-EX](#) [171-A1326-EX](#) [173-23507-ST-EX](#) [173-5521TIP-EX](#) [173-6330TIP-EX](#) [KLDVX-SMT-02-ATR](#) [KLDX-0201-AHT-1](#) [KLDX-0202-AHT](#) [KLDX-SMT-0202-BP](#) [KLDX-SMT-0202-BPTR](#) [163-0179-EX](#) [163-0307-E](#) [163-0309-EX](#) [163-4007-EX](#) [163-4015-EX](#) [163-4025](#) [163-4119-E](#) [163-4303-E](#) [16PJ101-EX](#) [171-0702-EX](#) [171-0722-E](#) [171-0726-EX](#) [171-2122-EX](#) [171-3216-EX](#) [171-3218-EX](#) [171-3219-EX](#) [171-3220-EX](#) [171-7391](#) [173-3413-ST-EX](#) [173-4017-ST-EX](#) [RAPCBRK](#) [K596](#)