

1 2 3 4 5 6 7 8

A

B

C

D

E

F

A

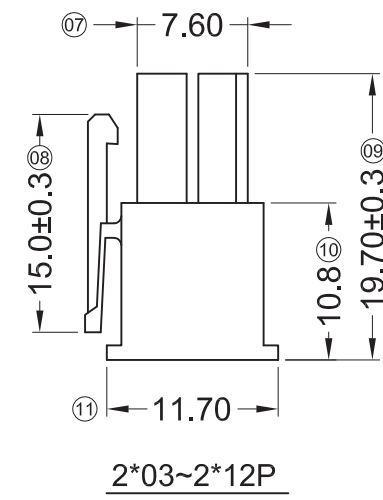
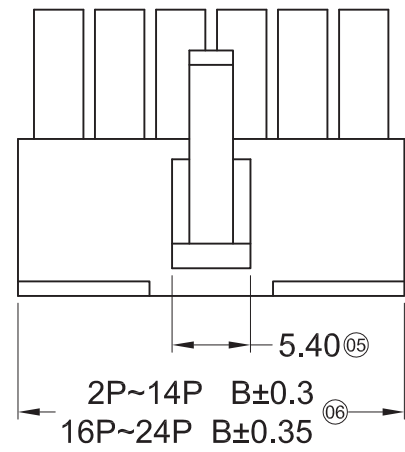
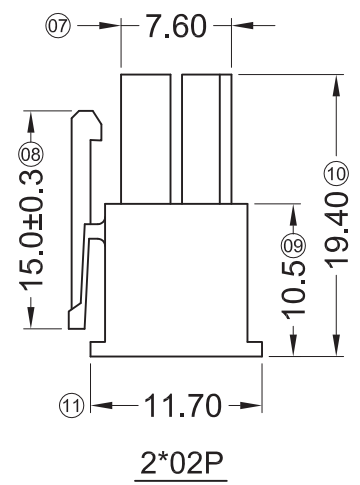
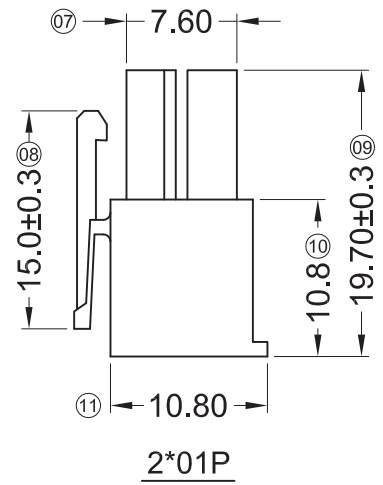
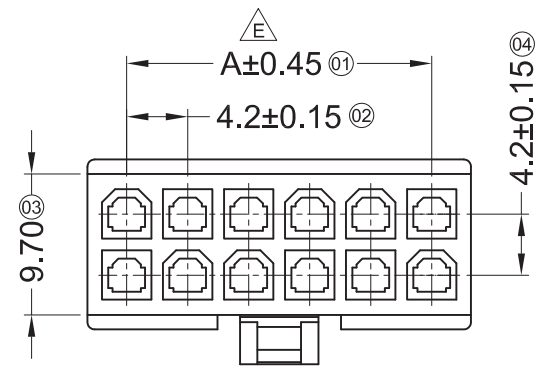
B

C

D

E

F



■ Specifications :

- Voltage rating: 600V AC / DC
- Current rating: 9A AC / DC
- Withstanding voltage: 1500V AC/minute
- Temperature range: -25°C~+85°C
- Insulation resistance: ≥1000MΩ
- Contact resistance: ≤10mΩ
- After environmental testing: ≤20mΩ

X9357 H M-2*XX XX-XX XX
 ① ② ③ ④ ⑤ ⑥ ⑦

- ① Series No.
- ② Category: H-HSG
- ③ Welding Board Angle: M-Male HSG
- ④ Row No.-Pin No.: 2*XX-2*01P~2*12P
- ⑤ Plug the Pin & special No.:
- ⑥ Material: N0-PA66 94V-0; N2-PA66 94V-2
- ⑦ Color: Blank-Natural Color ; BK-Black

| Poles | Dimensions(mm) | | Poles | Dimensions(mm) | |
|-------|----------------|-------|-------|----------------|-------|
| | A | B | | A | B |
| 2*01 | / | 5.50 | 2*07 | 25.20 | 30.70 |
| 2*02 | 4.20 | 9.70 | 2*08 | 29.40 | 34.90 |
| 2*03 | 8.40 | 13.90 | 2*09 | 33.60 | 39.10 |
| 2*04 | 12.60 | 18.10 | 2*10 | 37.80 | 43.30 |
| 2*05 | 16.80 | 22.30 | 2*11 | 42.00 | 47.50 |
| 2*06 | 21.00 | 26.50 | 2*12 | 46.20 | 51.70 |

| △ D | Part No | Material | Suitable XKB Terminal | Suitable XKB Terminal |
|-----|-------------------|----------------------|-----------------------|-----------------------|
| | X9357HM-2*XX-N2BK | Nylon 66 94V-2 Black | X9357TF | X9357W Or 9357H |
| | X9357HM-2*XX-LP | LCP 94V-0 | | |
| | X9357HM-2*XX-N2 | Nylon 66 94V-2 | | |
| | X9357HM-2*XX-N0 | Nylon 66 94V-0 | | |
| | PART NO | Material | Suitable XKB Terminal | Suitable XKB Terminal |

For and on behalf of
XKB INDUSTRIAL PRECISION CO., LIMITED
 香港星坤工業精密有限公司

| MARK | DESCRIPTION | DATE | REVISED | APPROVED | UNSPECIFIED TOLERANCES |
|------|-------------|------|---------|----------|------------------------|
| △ X | | | | | ANGULAR ±5° |
| △ X | | | | | L ≤ 4 ±0.2 |
| △ X | | | | | 4 < L ≤ 16 ±0.3 |
| | | | | | 16 < L ≤ 63 ±0.4 |
| | | | | | L > 63 ±0.5 |

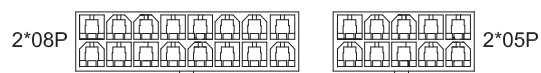
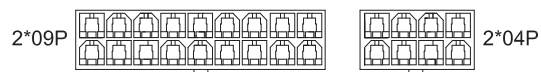
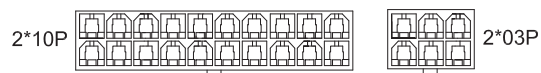
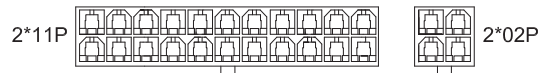
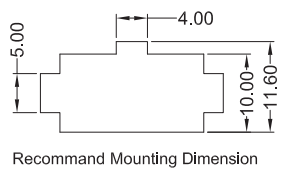
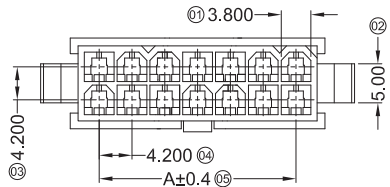
| DSND | DATE | SCALE: N/A | MODEL TYPE: X9357HM-2*XX-XX |
|------|------|-------------|-------------------------------|
| DWN | DATE | VIEW: | PART NO.: |
| CHKD | DATE | UNIT: mm | 4.20mm Crimp Style Connectors |
| APPD | DATE | SIZE: A4 | DWG NO.: |
| | | WEIGHT 1.0g | SHEET 1/1 |
| | | | REVISION A0 |

REVISIONS
 Authorized Signature(s)

XKB INDUSTRIAL PRECISION CO., LIMITED

1 2 3 4 5 6 7 8

1 2 3 4 5 6 7 8

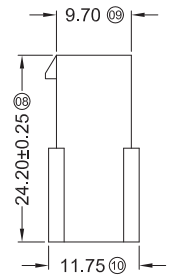
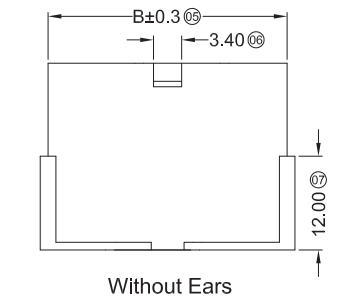
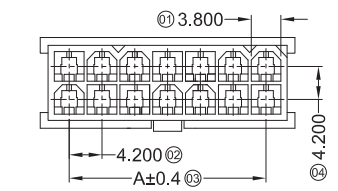
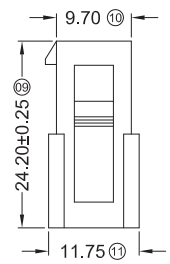
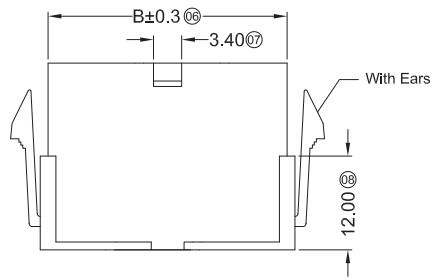


- Specifications :
- Voltage rating: 600V AC / DC
 - Current rating: 9A AC / DC
 - Withstanding voltage: 1500V AC/minute
 - Temperature range: -25°C~+85°C
 - Insulation resistance: ≥1000MΩ
 - Contact resistance: ≤10mΩ
 - After environmental testing: ≤20mΩ

X9357 H F-2*XX X-XX XX
 ① ② ③ ④ ⑤ ⑥ ⑦

- ① Series No.
- ② Category: H-HSG
- ③ Welding Board Angle: F-Female
- ④ Row No.-Pin No.: 2*XX-2*01P~2*12P
- ⑤ Plug the Pin & special No.:
I-Without the Wing; G-With the Wing
- ⑥ Material: N0-PA66 94V-0; N2-PA66 94V-2
- ⑦ Color : Blank-Natural Color
BK-Black

| Poles | Dimensions(mm) | | Poles | Dimensions(mm) | |
|-------|----------------|-------|-------|----------------|-------|
| | A | B | | A | B |
| 2*01 | -- | 5.60 | 2*07 | 25.20 | 30.80 |
| 2*02 | 4.20 | 9.80 | 2*08 | 29.40 | 35.00 |
| 2*03 | 8.40 | 14.00 | 2*09 | 33.60 | 39.20 |
| 2*04 | 12.60 | 18.20 | 2*10 | 37.80 | 43.40 |
| 2*05 | 16.80 | 22.40 | 2*11 | 42.00 | 47.60 |
| 2*06 | 21.00 | 26.60 | 2*12 | 46.20 | 51.80 |



| | | | | | |
|---|--------------------|----------------------|-----------------------|-----------------------|--------------|
| E | X9357HF-2*XXI-N2BK | Nylon 66 94V-2 Black | X9357TM | X9357W Or 9357H | Without Ears |
| | X9357HF-2*XXG-N2 | Nylon 66 94V-2 | | | With Ears |
| | X9357HF-2*XXI-N2 | Nylon 66 94V-2 | | | Without Ears |
| | X9357HF-2*XXG-N0 | Nylon 66 94V-0 | | | With Ears |
| | X9357HF-2*XXI-N0 | Nylon 66 94V-0 | | | Without Ears |
| | PART N0 | Material | Suitable XKB Terminal | Suitable XKB Terminal | Note |

For and on behalf of
XKB INDUSTRIAL PRECISION CO., LIMITED
 香港星坤工業精密有限公司

| | | | | | | |
|------|-------------|------|---------|----------|------------------------|------|
| △ X | | | | | ANGULAR | ±5° |
| △ X | | | | | L ≤ 4 | ±0.2 |
| △ X | | | | | 4 < L ≤ 16 | ±0.3 |
| MARK | DESCRIPTION | DATE | REVISED | APPROVED | 16 < L ≤ 63 | ±0.4 |
| | | | | | L > 63 | ±0.5 |
| | | | | | UNSPECIFIED TOLERANCES | |

| | | | | | |
|------|--|------|--|------------|---------------------------------|
| DSND | | DATE | | SCALE: N/A | MODEL TYPE: X9357HF-2*XXX-XX |
| DWN | | DATE | | VIEW: | PART NO.: |
| CHKD | | DATE | | UNIT: mm | 4.20 mm Crimp Style Connectors |
| APPD | | DATE | | SIZE: A4 | DWG NO.: |
| | | | | | WEIGHT 1.0g |
| | | | | | SHEET 1/1 |
| | | | | | REVISION A0 |

REVISIONS
 Authorized Signature(s)

XKB INDUSTRIAL PRECISION CO., LIMITED

1 2 3 4 5 6 7 8

Specifications :

- Voltage rating: 600V AC / DC
- Current rating: 9A AC / DC
- Withstanding voltage: 1500V AC/minute
- Temperature range: -25°C~+85°C
- Insulation resistance: ≥1000MΩ
- Contact resistance: ≤10mΩ
- After environmental testing: ≤20mΩ

X9357 H M-2*04 A- XX XX

① ② ③ ④ ⑤ ⑥ ⑦

- ① Series No.
- ② Category: H-HSG
- ③ Appearance type: M-Male HSG
- ④ Row No.-Pin No.: 2*XX-Double Row
- ⑤ Plug the Pin & Special No.: A- 4+4P Type
- ⑥ Material : N0-PA66 94V-0 ; N2-PA66 94V-2
- ⑦ Color: Blank-Natural Color; BK-Black

| | | | | |
|--------------------|----------------|---------------|-----------------------|-----------------------|
| X9357HM-2*04A-N2 | Nylon 66 94V-2 | Natural Color | X9357TF | X9357W Or 9357H |
| X9357HM-2*04A-N2BK | | Black | | |
| X9357HM-2*04A-N0 | Nylon 66 94V-0 | Natural Color | | |
| X9357HM-2*04A-N0BK | | Black | | |
| PART NO | Material | Color | Suitable XKB Terminal | Suitable XKB Terminal |

For and on behalf of
XKB INDUSTRIAL PRECISION CO., LIMITED
 香港星坤工業精密有限公司

| MARK | DESCRIPTION | DATE | REVISED | APPROVED | UNSPECIFIED TOLERANCES | DSND | DATE | SCALE: N/A | MODEL TYPE: X9357HM-2*04A-XXXX |
|------|-------------|------|---------|----------|------------------------|------|------|------------|-----------------------------------|
| △ X | | | | | ANGULAR ±5° | DWN | DATE | VIEW: | PART NO.: |
| △ X | | | | | L ≤ 4 ±0.2 | CHKD | DATE | UNIT: mm | 4.20 mm Crimp Style Connectors |
| △ X | | | | | 4 < L ≤ 16 ±0.3 | APPD | DATE | SIZE: A4 | DWG NO.: |
| | | | | | 16 < L ≤ 63 ±0.4 | | | | |
| | | | | | L > 63 ±0.5 | | | | |
| | | | | | | | | | WEIGHT |
| | | | | | | | | | 1.0g |
| | | | | | | | | | SHEET |
| | | | | | | | | | 1/1 |
| | | | | | | | | | REVISION |
| | | | | | | | | | A0 |

REVISIONS
 Authorized Signature(s)

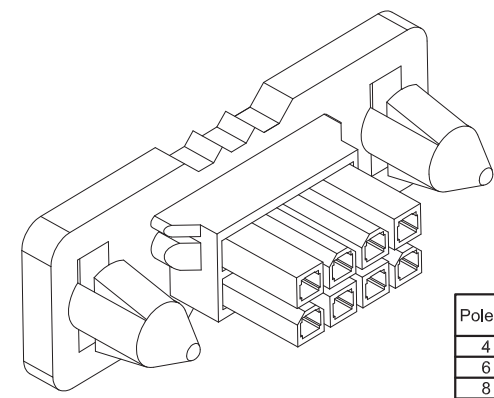
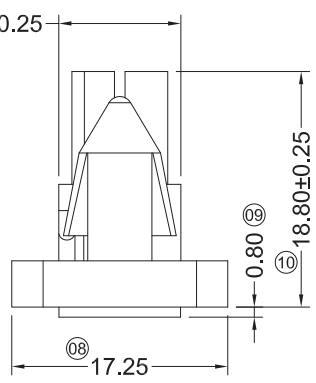
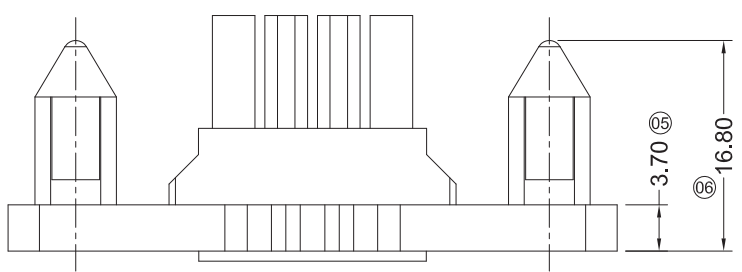
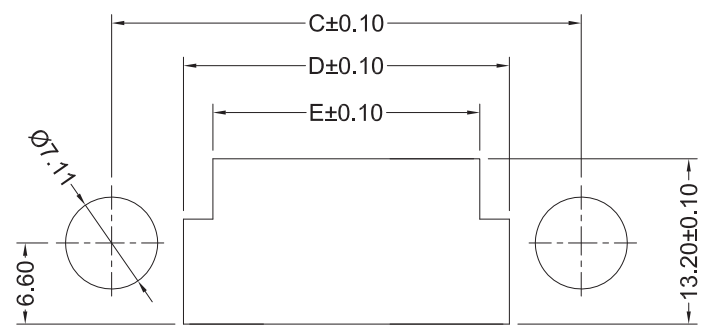
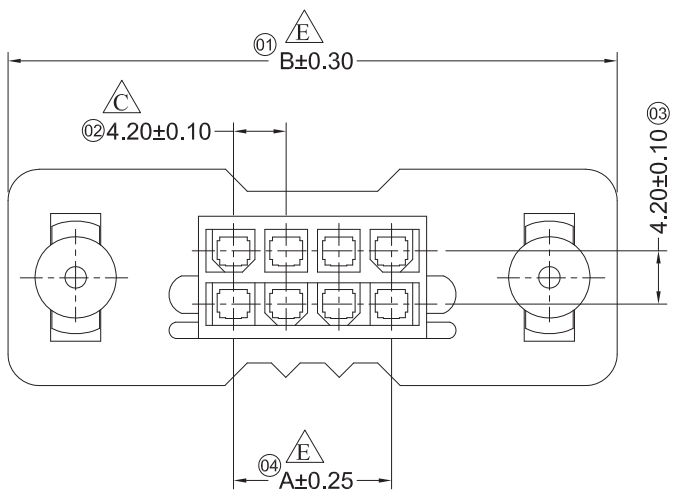
XKB INDUSTRIAL PRECISION CO., LIMITED

■ Specifications :

- Voltage rating: 600V AC / DC
- Current rating: 9A AC / DC
- Withstanding voltage: 1500V AC/minute
- Temperature range: -25°C~+85°C
- Insulation resistance: ≥1000MΩ
- Contact resistance: ≤10mΩ
- After environmental testing: ≤20mΩ

X9357 H M - 2*XX B -N2 XX

- ① Series No.
- ② Category: H-HSG
- ③ Welding Board Angle: M-Male HGS
- ④ Row No.-Pin No.: 2*XX-Double row
- ⑤ Plug the Pin & special No.B-With the back seat
- ⑥ Material: N2-PA66 94V-2
- ⑦ Color: Blank-natural color



| Poles | Dimensions (mm) | | | | |
|-------|-----------------|--------|-------|-------|-------|
| | A | B | C | D | E |
| 4 | 4.20 | 40.20 | 29.20 | 17.60 | 12.90 |
| 6 | 8.40 | 44.40 | 33.40 | 21.80 | 17.10 |
| 8 | 12.60 | 48.60 | 37.60 | 26.00 | 21.30 |
| 10 | 16.80 | 52.80 | 41.80 | 30.20 | 25.50 |
| 12 | 21.00 | 57.00 | 46.00 | 34.40 | 29.70 |
| 14 | 25.20 | 61.20 | 50.20 | 38.60 | 33.90 |
| 16 | 29.40 | 65.40 | 54.40 | 42.80 | 38.10 |
| 18 | 33.60 | 69.60 | 58.60 | 47.00 | 42.30 |
| 20 | 37.80 | 73.80 | 62.80 | 51.20 | 46.50 |
| 22 | 42.00 | 78.00 | 67.00 | 55.40 | 50.70 |
| 24 | 46.20 | 82.20 | 71.20 | 59.60 | 54.90 |
| 36 | 71.40 | 107.40 | 96.40 | 81.50 | 76.78 |

| | | | |
|------------------|----------------|-----------------------|-----------------------|
| X9357HM-2*XXB-N2 | Nylon 66 94V-2 | X9357TF | X9357HF-B |
| PART NO | Material | Suitable XKB Terminal | Suitable XKB Terminal |

For and on behalf of
XKB INDUSTRIAL PRECISION CO., LIMITED
香港星坤工業精密有限公司

| | | | | | | |
|------|-------------|------|---------|----------|------------------------|------|
| △ X | | | | | ANGULAR | ±5° |
| △ X | | | | | L ≤ 4 | ±0.2 |
| △ X | | | | | 4 < L ≤ 16 | ±0.3 |
| MARK | DESCRIPTION | DATE | REVISED | APPROVED | 16 < L ≤ 63 | ±0.4 |
| | | | | | L > 63 | ±0.5 |
| | | | | | UNSPECIFIED TOLERANCES | |

| | | | |
|------|------|------------|---------------------------------|
| DSND | DATE | SCALE: N/A | MODEL TYPE: X9357HM-2*XXB-N2 |
| DWN | DATE | VIEW: | PART NO.: |
| CHKD | DATE | UNIT: mm | 4.20mm Crimp Style Connecctors |
| APPD | DATE | SIZE: A4 | DWG NO.: |
| | | | WEIGHT |
| | | | 1.0g |
| | | | SHEET |
| | | | 1/1 |
| | | | REVISION |
| | | | A0 |

REVISIONS
 Authorized Signature(s)

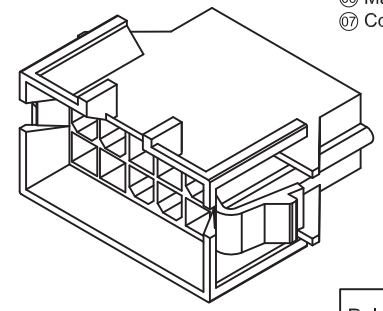
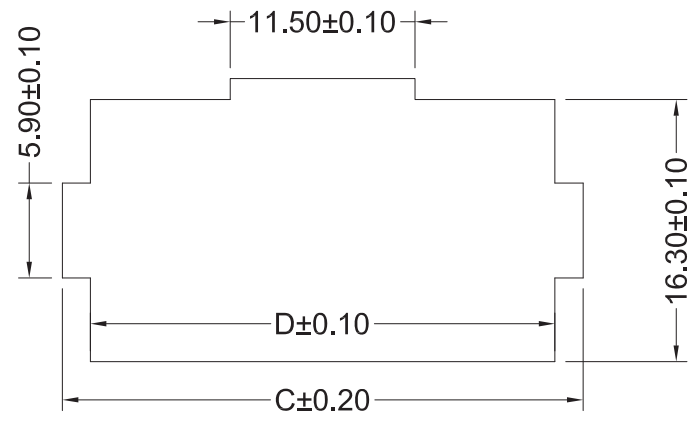
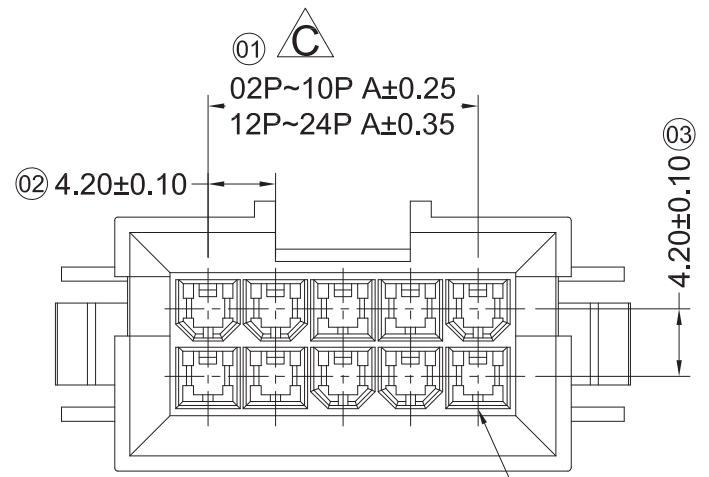
XKB INDUSTRIAL PRECISION CO., LIMITED

1 2 3 4 5 6 7 8

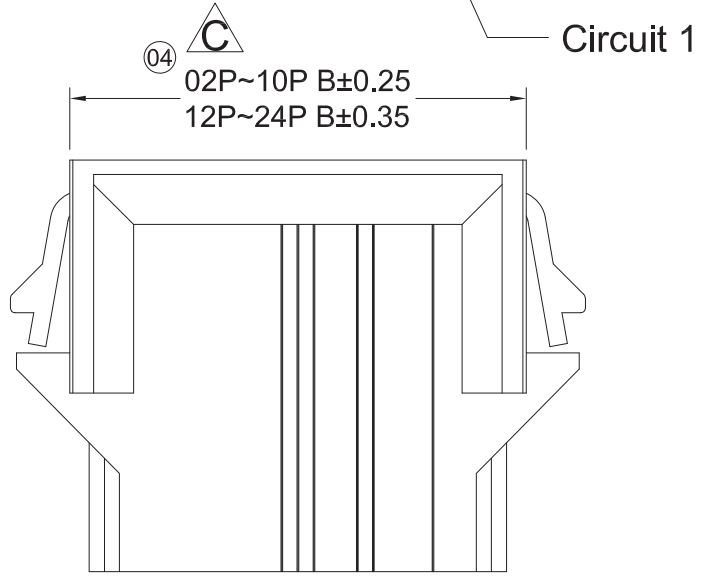
- Specifications :
- Voltage rating: 600V AC / DC
 - Current rating: 9A AC / DC
 - Withstanding voltage: 1500V AC/minute
 - Temperature range: -25°C~+85°C
 - Insulation resistance: ≥1000MΩ
 - Contact resistance: ≤10mΩ
 - After environmental testing: ≤20mΩ

X9357 H F - 2*XX B - N2 XX
 ① ② ③ ④ ⑤ ⑥ ⑦

- ① Series No.
- ② Category: H-HSG
- ③ Welding Board Angle:
Blank-ordinary F-Female HGS
- ④ Row No.-Pin No.: 2*XX-Double row
- ⑤ Plug the Pin & special No.: B-With a trough
- ⑥ Material: N2-PA66 94V-2
- ⑦ Color: Blank-natural color



| Poles | Dimensions (mm) | | | |
|-------|-----------------|-------|-------|-------|
| | A | B | C | D |
| 04 | 4.20 | 15.80 | 19.80 | 16.30 |
| 06 | 8.40 | 20.00 | 24.00 | 20.50 |
| 08 | 12.60 | 24.20 | 28.20 | 24.70 |
| 10 | 16.80 | 28.40 | 32.40 | 28.90 |
| 14 | 25.20 | 36.80 | 40.80 | 37.30 |
| 18 | 33.60 | 45.20 | 49.20 | 45.70 |
| 20 | 37.80 | 49.40 | 53.40 | 49.90 |
| 22 | 46.20 | 57.80 | 61.80 | 58.30 |



| | | | |
|------------------|-------------------|-----------------------|-----------------------|
| X9357HF-2*XXB-N2 | Nylon 66 UL 94V-2 | X9357TM | X9357HM-B、9357WR-B |
| PART NO | Material | Suitable XKB Terminal | Suitable XKB Terminal |

For and on behalf of
XKB INDUSTRIAL PRECISION CO., LIMITED
 香港星坤工業精密有限公司

| | | | | | | | | | | | |
|------|-------------|------|---------|----------|------------------------|-------------|------|------|------|------------|---------------------------------|
| △ X | DESCRIPTION | DATE | REVISED | APPROVED | UNSPECIFIED TOLERANCES | ANGULAR | ±5° | DSND | DATE | SCALE: N/A | MODEL TYPE: X9357HF-2*XXB-N2 |
| △ X | | | | | | L ≤ 4 | ±0.2 | DWN | DATE | VIEW: | PART NO.: |
| △ X | | | | | | 4 < L ≤ 16 | ±0.3 | CHKD | DATE | UNIT: mm | 4.20mm Crimp Style Connectors |
| MARK | | | | | | 16 < L ≤ 63 | ±0.4 | APPD | DATE | SIZE: A4 | DWG NO.: |
| | | | | | | L > 63 | ±0.5 | | | | |
| | | | | | | | | | | | WEIGHT |
| | | | | | | | | | | | 1.0g |
| | | | | | | | | | | | SHEET |
| | | | | | | | | | | | 1/1 |
| | | | | | | | | | | | REVISION |
| | | | | | | | | | | | A0 |

REVISIONS
 Authorized Signature(s)

XKB INDUSTRIAL PRECISION CO., LIMITED

1 2 3 4 5 6 7 8

For and on behalf of
XKB INDUSTRIAL PRECISION CO., LIMITED
 香港星坤工業精密有限公司

REVISIONS
 Authorized Signatures(s)

| MARK | DESCRIPTION | DATE | REVISED | APPROVED | UNSPECIFIED TOLERANCES |
|------|-------------|------|---------|----------|------------------------|
| △ X | | | | | ±0.5 |
| △ X | | | | | 16 < L ≤ 63 ±0.4 |
| △ X | | | | | 4 < L ≤ 16 ±0.3 |
| | | | | | L ≤ 4 ±0.2 |
| | | | | | ANGULAR ±5° |

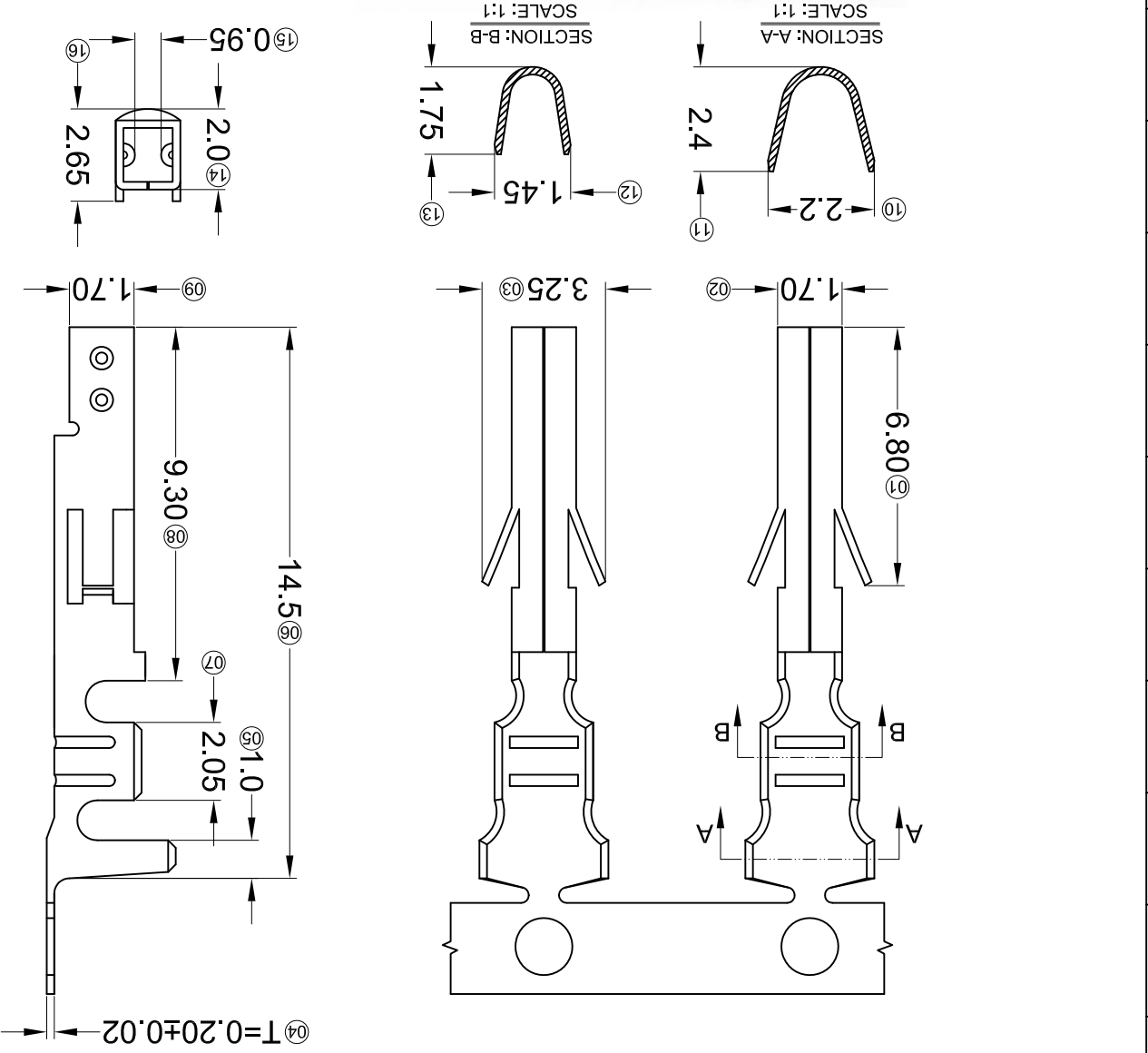
| REVISION | SHEET | WEIGHT | WIRE RANGE | INSULATION O.D. | PART NO. | MATERIAL | WIRE RANGE | INSULATION O.D. | FINISH | SUITABLE XKB |
|----------|-------|--------|------------|-----------------|----------------|-----------------|------------|-----------------|---|--------------|
| A0 | 1/1 | 1.0g | | | X9357TF-P-SN-M | Phosphor Bronze | AWG#24-28 | 1.90mm(Max) | Stamping Before Plating :30u" MIN. Ni;70u"Sn MIN. | X9357HM |
| | | | | | X9357TF-B-SN-M | Brass | | | | |

| DSND | DATE | SCALE: N/A | MODEL TYPE: X9357TF-XSN-M |
|------|------|------------|---------------------------|
| | | | |

| APPD | DATE | SIZE: A4 | DWG NO.: |
|------|------|----------|--------------------------------|
| | | | 4.20 mm Crimp Style Connectors |

| CHKD | DATE | UNIT: mm | PART NO.: |
|------|------|----------|-----------|
| | | | |

| DWN | DATE | VIEW: | SCALE: N/A |
|-----|------|-------|------------|
| | | | |

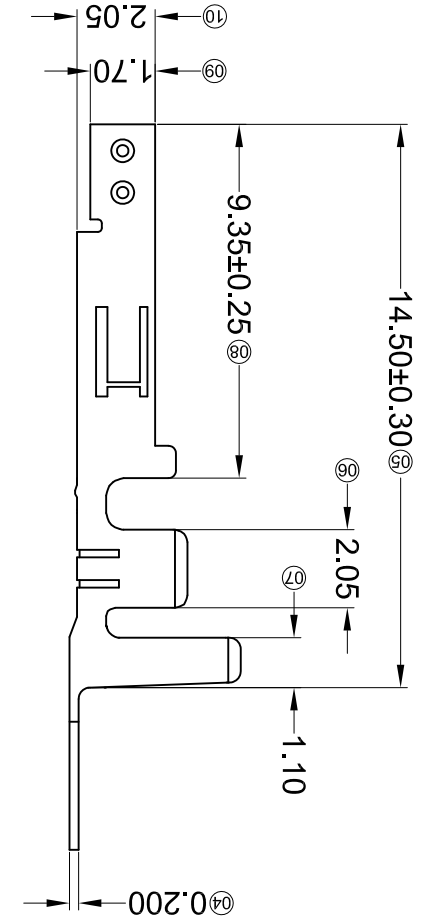
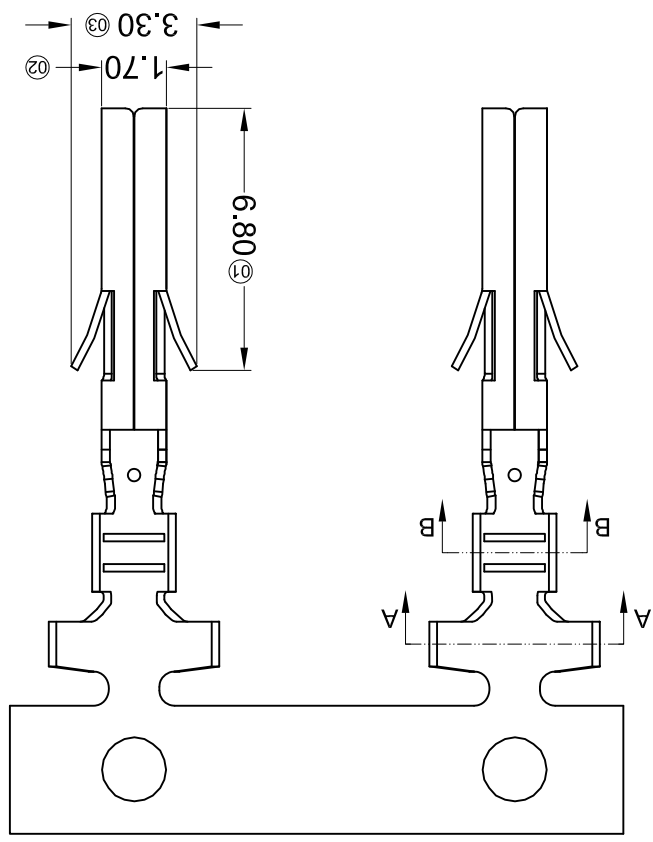
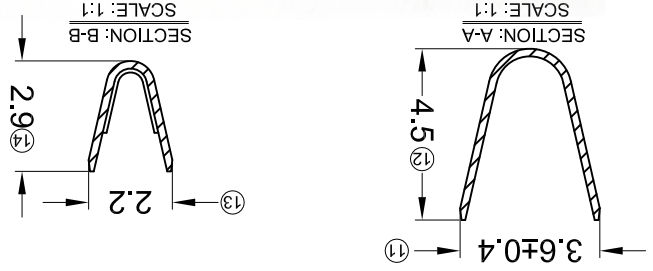


- Specifications :
- Voltage rating: 600V AC / DC
 - Current rating: 9A AC / DC
 - Withstanding voltage: 1500V AC/minute
 - Temperature range: -25°C~+85°C
 - Insulation resistance: $\geq 1000M\Omega$
 - Contact resistance: $\leq 10m\Omega$
 - After environmental testing : $\leq 20m\Omega$
- X9357 T F-X SN X-M
- ① Series Number
- ② Category: T-terminal
- ③ Shape: F-Female
- ④ Material: B-Brass; P-Phosphor Bronze
- ⑤ Plating style: SN-Bright tin plating
- ⑥ Plating method:
- Blank-Stamping before plating;
- ⑦ Special No: M-Low Leads

| PART NO. | MATERIAL | WIRE RANGE | INSULATION O.D. | FINISH | SUITABLE XKB |
|----------------|-----------------|------------|-----------------|---|--------------|
| X9357TF-P-SN-M | Phosphor Bronze | AWG#24-28 | 1.90mm(Max) | Stamping Before Plating :30u" MIN. Ni;70u"Sn MIN. | X9357HM |
| X9357TF-B-SN-M | Brass | | | | |

| | | | | | |
|-----------|-------------|------------------------|----------|---------------------------------------|---------------------------|
| REVISIONS | | UNSPECIFIED TOLERANCES | | KXB INDUSTRIAL PRECISION CO., LIMITED | |
| MARK | DESCRIPTION | DATE | APPROVED | APPD | DATE |
| △ X | | | | | SIZE: A4 |
| △ X | | | | CHKD | UNIT: mm |
| △ X | | | | DWN | VIEW: |
| | | | | DSND | SCALE: N/A |
| | | | | | MODEL TYPE: X9357TF-XSN-H |

For and on behalf of
KXB INDUSTRIAL PRECISION CO., LIMITED
 香港星坤工業精密有限公司

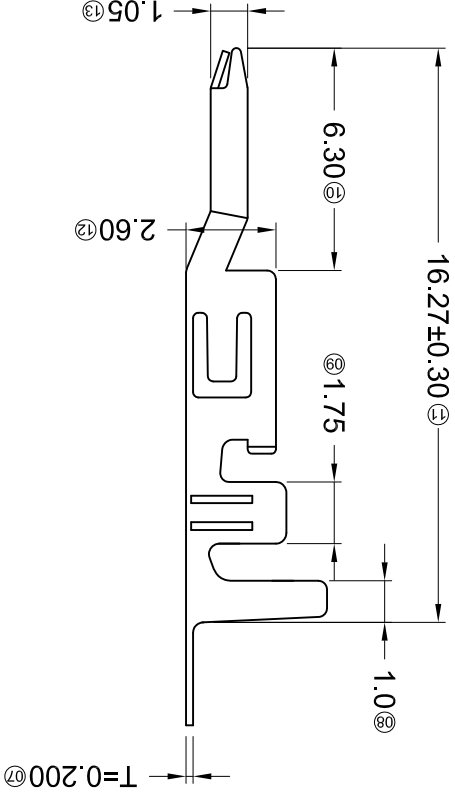
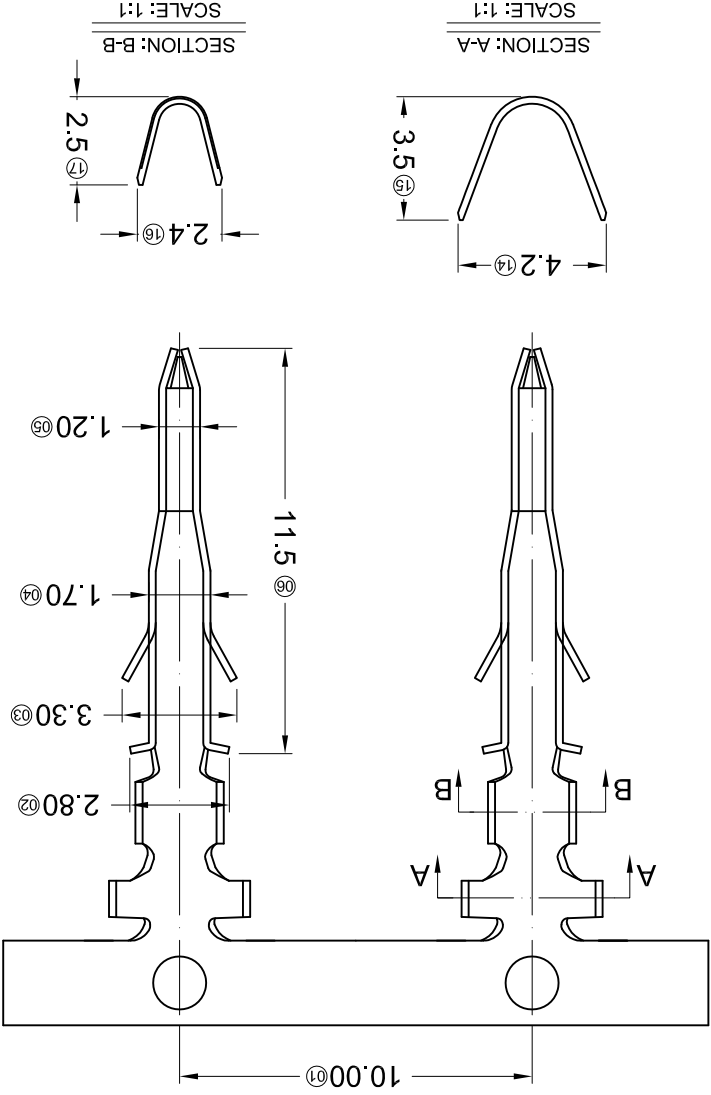


| PART NO | Material | Wire Range | Insulation O.D. | Finish | Suitable XKB |
|---------------|-----------------|------------|-----------------|--|--------------|
| X9357TF-BSN-H | Brass | AWG#16-24 | 3.10mm(Max) | Stamping Before Plating :30u" MIN. Ni70u"Sn MIN. | X9357HM |
| X9357TF-PSN-H | Phosphor Bronze | | | | |

- **Specifications :**
- Voltage rating: 600V AC / DC
 - Current rating: 9A AC / DC
 - Withstanding voltage: 1500V AC/minute
 - Temperature range: -25°C~+85°C
 - Insulation resistance: ≥1000MΩ
 - Contact resistance: ≤10mΩ
 - After environmental testing : ≤20mΩ
- X9357 T F-X SN X-H
- ① Series Number
 ② Category: T-terminal
 ③ Shape: F-Female
 ④ Material: B-Brass; P-Phosphor Bronze
 ⑤ Plating style: SN-Bright tin plating
 ⑥ Plating method:
 Blank-Stamping before plating;
 ⑦ Special No: H-High Leads

| | | | | | | | | | | | | |
|--|-------------|------------|--|----------|------------------------|-------|--|--|--|--|--|--|
| REVISED SIGNATURE(S) | | | | | | | | | | | | |
| MARK | DESCRIPTION | | | | | | | | | | | |
| △X | | DATE | REVISED | APPROVED | UNSPECIFIED TOLERANCES | | | | | | | |
| △X | | | | | L > 63 | ± 0.5 | | | | | | |
| △X | | | | | 16 < L ≤ 63 | ± 0.4 | | | | | | |
| △X | | | | | 4 < L ≤ 16 | ± 0.3 | | | | | | |
| △X | | | | | L ≤ 4 | ± 0.2 | | | | | | |
| | | | | | ANGULAR | ± 5° | | | | | | |
| For and on behalf of | | | | | | | | | | | | |
| XKB INDUSTRIAL PRECISION CO., LIMITED | | | | | | | | | | | | |
| 香港星坤工業精密有限公司 | | | | | | | | | | | | |
| Authorized Signature(s) | | | | | | | | | | | | |
| DSND | DATE | SCALE: N/A | MODEL TYPE: X9357TM-XSN | | | | | | | | | |
| DWN | DATE | VIEW: | PART NO.: | | | | | | | | | |
| CHKD | DATE | UNIT: mm | DWG NO.: | | | | | | | | | |
| APPD | DATE | SIZE: A4 | | | | | | | | | | |
| | | | XKB INDUSTRIAL PRECISION CO., LIMITED | | | | | | | | | |
| | | | WEIGHT 1.0g | | | | | | | | | |
| | | | SHEET 1/1 | | | | | | | | | |
| | | | REVISION A0 | | | | | | | | | |

| PART NO | Material | Wire Range | Insulation O.D. | Finish | Suitable XKB |
|-------------|-----------------|------------|-----------------|--|--------------|
| X9357TM-BSN | Brass | AWG#18-22 | 3.00mm(Max) | Stamping Before Plating:30u" Ni;70u"Sn | X9357HF |
| X9357TM-PSN | Phosphor Bronze | | | | |



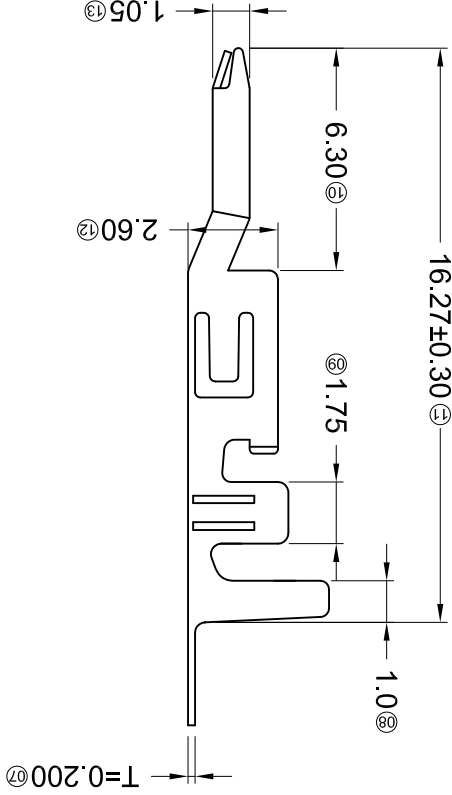
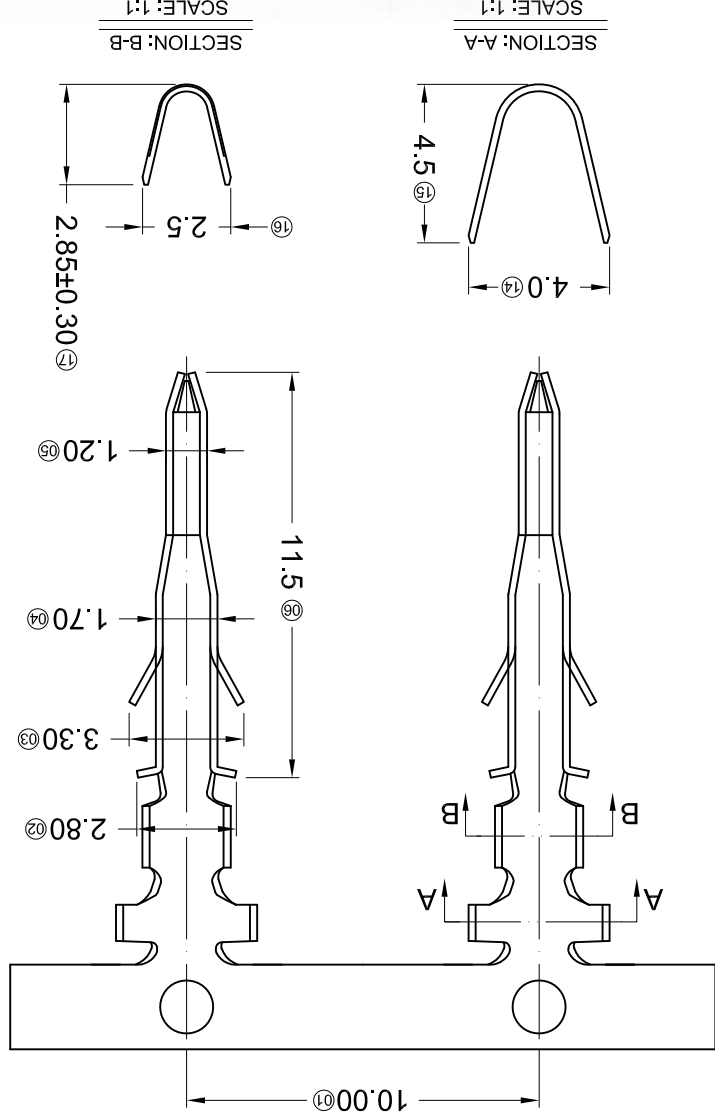
- **Specifications :**
- Voltage rating: 600V AC / DC
 - Current rating: 9A AC / DC
 - Withstanding voltage: 1500V AC/minute
 - Temperature range: -25°C~+85°C
 - Insulation resistance: ≥1000MΩ
 - Contact resistance: ≤10mΩ
 - After environmental testing: ≤20mΩ
- X9357 T M-X SN X-X
- ① Series No.
 - ② Category: T-Terminal
 - ③ Appearance type: M-Male Terminal
 - ④ Material: B-Brass; P-Phosphor Bronze
 - ⑤ Plating Style: SN-Bright Tin Plating
 - ⑥ Plating Method :
 - ⑦ Blank-Stamping before Plating
 - ⑦ Mold NO/MARK&Special NO

For and on behalf of
XKB INDUSTRIAL PRECISION CO., LIMITED
 香港星坤工業精密有限公司

Revisions
 Authorized Signatures(s)

| MARK | DESCRIPTION | DATE | REVISED | APPROVED | UNSPECIFIED TOLERANCES | | APPD | DATE | SIZE: A4 | WEIGHT | SHEET | REVISION |
|------|-------------|------|---------|----------|------------------------|---------|------|------|----------|--------|-------|----------|
| | | | | | L > 63 | L ≤ 63 | | | | | | |
| △ X | | | | | ±0.5 | ±0.4 | | | | 1.0g | 1/1 | A0 |
| △ X | | | | | ±0.3 | ±0.3 | | | | | | |
| △ X | | | | | ±0.2 | ±0.2 | | | | | | |
| △ X | | | | | ±5° | ANGULAR | | | | | | |

| PART NO | Material | Wire Range | Insulation O.D. | Finish | Suitable XKB |
|---------------|----------|------------|-----------------|--|--------------|
| X9357TM-BSN-H | Brass | AWG#16-22 | 3.10mm(Max) | Stamping Before Plating:30u" Ni;70u"Sn | X9357HF |



- Specifications :**
- Voltage rating: 600V AC / DC
 - Current rating: 9A AC / DC
 - Withstanding voltage: 1500V AC/minute
 - Temperature range: -25°C~+85°C
 - Insulation resistance: ≥1000MΩ
 - Contact resistance: ≤10mΩ
 - After environmental testing: ≤20mΩ
- X9357 T M-B SN X-H**
- ① Series No.
 ② Category: T-Terminal
 ③ Appearance type: M-Male Terminal
 ④ Material: B-Brass
 ⑤ Plating Style: SN-Bright Tin Plating
 ⑥ Plating Method :
 Blank-Stamping before Plating
 ⑦ H-High Crimp

| DSND | DATE | SCALE: N/A | MODEL TYPE: X9357TM-BSN-H |
|------|--|------------|---------------------------|
| CHKD | DATE <td>UNIT: mm</td> <td>DWG NO.:</td> | UNIT: mm | DWG NO.: |
| APPD | DATE <td>SIZE: A4</td> <td></td> | SIZE: A4 | |

| DNSD | DATE | SCALE: N/A | MODEL TYPE: X9357TM-BSN-H |
|------|--|------------|---------------------------|
| DWN | DATE <td>VIEW: </td> <td>PART NO.:</td> | VIEW: | PART NO.: |
| CHKD | DATE <td>UNIT: mm</td> <td>DWG NO.:</td> | UNIT: mm | DWG NO.: |
| APPD | DATE <td>SIZE: A4</td> <td></td> | SIZE: A4 | |

| REVISION | REVISION | WEIGHT | SHEET | 1/1 | 8 |
|----------|----------|--------|-------|-----|---|
| | | | | | |

| REVISION | REVISION | WEIGHT | SHEET | 1/1 | 8 |
|----------|----------|--------|-------|-----|---|
| | | | | | |

| REVISION | REVISION | WEIGHT | SHEET | 1/1 | 8 |
|----------|----------|--------|-------|-----|---|
| | | | | | |

| REVISION | REVISION | WEIGHT | SHEET | 1/1 | 8 |
|----------|----------|--------|-------|-----|---|
| | | | | | |

| REVISION | REVISION | WEIGHT | SHEET | 1/1 | 8 |
|----------|----------|--------|-------|-----|---|
| | | | | | |

| REVISION | REVISION | WEIGHT | SHEET | 1/1 | 8 |
|----------|----------|--------|-------|-----|---|
| | | | | | |

| REVISION | REVISION | WEIGHT | SHEET | 1/1 | 8 |
|----------|----------|--------|-------|-----|---|
| | | | | | |

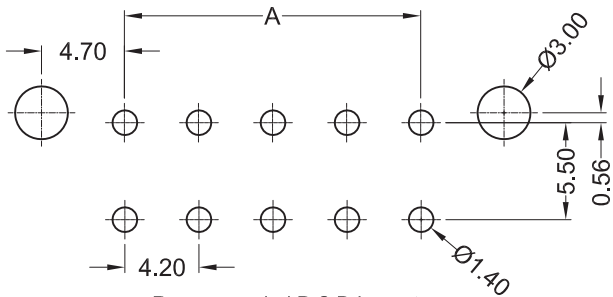
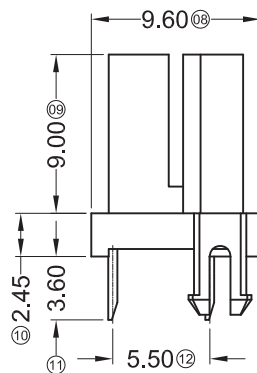
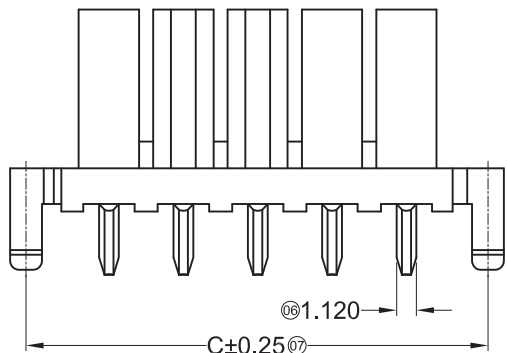
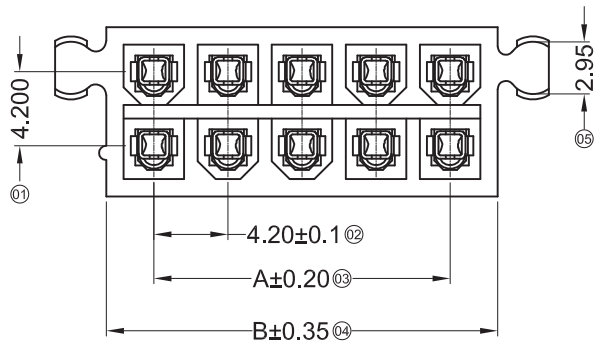
| REVISION | REVISION | WEIGHT | SHEET | 1/1 | 8 |
|----------|----------|--------|-------|-----|---|
| | | | | | |

| REVISION | REVISION | WEIGHT | SHEET | 1/1 | 8 |
|----------|----------|--------|-------|-----|---|
| | | | | | |

| REVISION | REVISION | WEIGHT | SHEET | 1/1 | 8 |
|----------|----------|--------|-------|-----|---|
| | | | | | |

| REVISION | REVISION | WEIGHT | SHEET | 1/1 | 8 |
|----------|----------|--------|-------|-----|---|
| | | | | | |

| REVISION | REVISION | WEIGHT | SHEET | 1/1 | 8 |
|----------|----------|--------|-------|-----|---|
| | | | | | |



Recommended P.C.B Layout
General Tolerance±0.05

Specifications :

- Voltage rating: 600V AC / DC
- Current rating: 9A AC / DC
- Withstanding voltage: 1500V AC/minute
- Temperature range: -25°C~+85°C
- Insulation resistance: ≥1000MΩ
- Contact resistance: ≤10mΩ
- After environmental testing: ≤20mΩ

X9357 W V X-2*XX S-XX SN XX

① ② ③ ④ ⑤ ⑥ ⑦ ⑧ ⑨

- ① Series No.
- ② Category: W-WAFER
- ③ Welding Board Angle: V- Straight 180° ;
- ④ Welding Way: Blank-DIP
- ⑤ Row No.-Pin No.: 2*XX-2*01P~2*12P
- ⑥ Plug the Pin & Special No.: S-With the column
- ⑦ Material: N0-PA66 94V-0 ; N2-PA66 94V-2
- ⑧ Plating Category: SN-Bright tin Plating;
- ⑨ Color : Blank-Natural Color

| Poles | Dimensions(mm) | | | Poles | Dimensions(mm) | | |
|-------|----------------|-------|-------|-------|----------------|-------|-------|
| | A | B | C | | A | B | C |
| 2*01 | / | 5.40 | 9.40 | 2*07 | 25.20 | 30.60 | 34.60 |
| 2*02 | 4.20 | 9.60 | 13.60 | 2*08 | 29.40 | 34.80 | 38.80 |
| 2*03 | 8.40 | 13.80 | 17.80 | 2*09 | 33.60 | 39.00 | 43.00 |
| 2*04 | 12.60 | 18.00 | 22.00 | 2*10 | 37.80 | 43.20 | 47.20 |
| 2*05 | 16.80 | 22.20 | 26.20 | 2*11 | 42.00 | 47.40 | 51.40 |
| 2*06 | 21.00 | 26.40 | 30.40 | 2*12 | 46.20 | 51.60 | 55.60 |

| | | | | |
|--------------------|---------------|---------------|-------------|-----------------------|
| X9357WV-2*XXS-N2SN | PA66 UL 94V-2 | Brass | Tin-plated | X9357H |
| X9357WV-2*XXS-N0SN | PA66 UL 94V-0 | | | |
| PART NO | Material | Material(Pin) | Finish(Pin) | Suitable XKB Terminal |

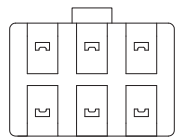
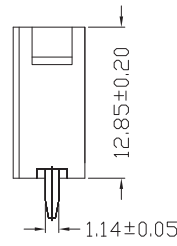
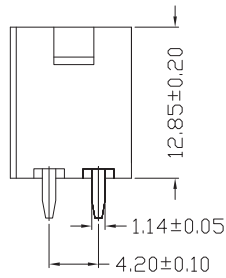
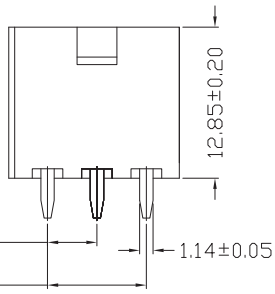
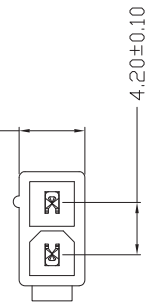
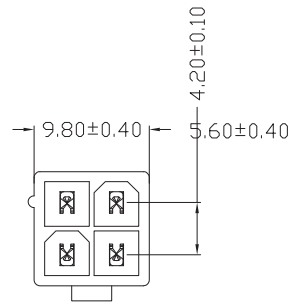
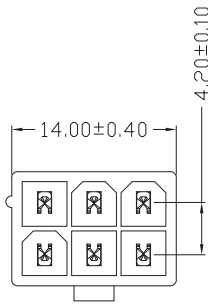
For and on behalf of
XKB INDUSTRIAL PRECISION CO., LIMITED
香港星坤工業精密有限公司

| MARK | DESCRIPTION | DATE | REVISED | APPROVED | UNSPECIFIED TOLERANCES |
|------|-------------|------|---------|----------|------------------------|
| △ X | | | | | ANGULAR ±5° |
| △ X | | | | | L ≤ 4 ±0.2 |
| △ X | | | | | 4 < L ≤ 16 ±0.3 |
| | | | | | 16 < L ≤ 63 ±0.4 |
| | | | | | L > 63 ±0.5 |

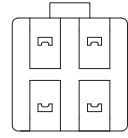
| | | | |
|------|------|------------|-----------------------------------|
| DSND | DATE | SCALE: N/A | MODEL TYPE: X9357WV-2*XXS-XXSN |
| DWN | DATE | VIEW: | PART NO.: |
| CHKD | DATE | UNIT: mm | 4.20 mm Crimp Style Connectors |
| APPD | DATE | SIZE: A4 | DWG NO.: |

| REVISIONS | Signature(s) | UNSPECIFIED TOLERANCES | XKB INDUSTRIAL PRECISION CO., LIMITED | WEIGHT | SHEET | REVISION |
|-----------|--------------|------------------------|---------------------------------------|--------|-------|----------|
| | | | | 1.0g | 1/1 | A0 |

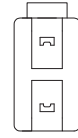
1 2 3 4 5 6 7 8



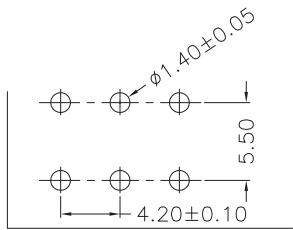
2*03PIN



2*02PIN



2*01PIN



P.C.B. RECOMMENDED LAYOUT

■ Specifications(规格) :

- Voltage rating(额定电压): 600V AC / DC
- Current rating(额定电流): 9A AC / DC
- Withstanding voltage(耐压值): 1500V AC/minute
- Temperature range(工作温度): -25°C~+85°C
- Insulation resistance(绝缘电阻): ≥1000MΩ
- Contact resistance(接触电阻): ≤10mΩ
- After environmental testing(环境测试后): ≤20mΩ

X9357 W V X-2*XX HS-XX SN XX
 ① ② ③ ④ ⑤ ⑥ ⑦ ⑧ ⑨

- ①系列
- ②类别: W-WAFER类
- ③外观形态: V-180°
- ④成型方式: 空码-DIP
- ⑤PIN数: 双排-2*XX
- ⑥特殊码: HS-空心针封口
- ⑦材质: N0-PA66 94V-0 N2-PA66 94V-2
- ⑧电镀类别: SN-镀亮锡(70U")
- ⑨颜色: 空码-本色或普通色

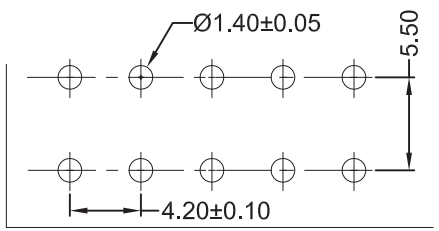
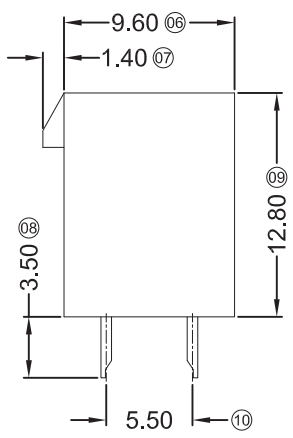
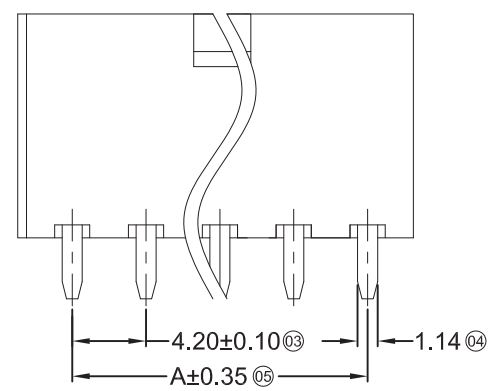
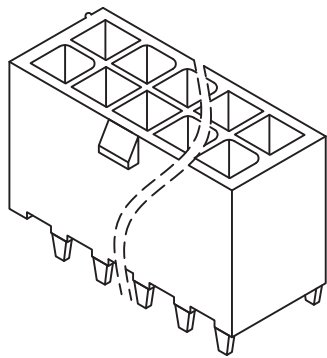
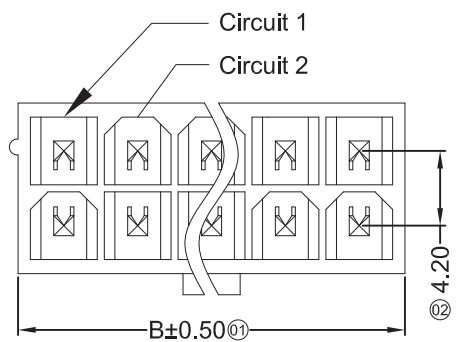
| | | | | |
|---------------------|-------------------|---------------|-------------|-----------------------|
| X9357WV-2*XXHS-N2SN | Nylon 66 UL 94V-2 | Brass | Tin-Plated | X9357H |
| X9357WV-2*XXHS-N0SN | Nylon 66 UL 94V-0 | | | |
| PART NO | Material | Material(Pin) | Finish(Pin) | Suitable XKB Terminal |

For and on behalf of
XKB INDUSTRIAL PRECISION CO., LIMITED
 香港星坤工業精密有限公司

| | | | | | | | | | | | | | |
|------|-------------|------|---------|----------|------------------------|------|--|--|------|------------|------------------------------------|-------|----------|
| △ X | | | | | ANGULAR | ±5° | DSND | | DATE | SCALE: N/A | MODEL TYPE: X9357WV-2*XXHS-XXSN | | |
| △ X | | | | | L ≤ 4 | ±0.2 | DWN | | DATE | VIEW: | PART NO.: | | |
| △ X | | | | | 4 < L ≤ 16 | ±0.3 | CHKD | | DATE | UNIT: mm | 4.20 mm Crimp Style Connectors | | |
| MARK | DESCRIPTION | DATE | REVISED | APPROVED | 16 < L ≤ 63 | ±0.4 | APPD | | DATE | SIZE: A4 | DWG NO.: | | |
| | | | | | L > 63 | ±0.5 | | | | | WEIGHT | SHEET | REVISION |
| | | | | | UNSPECIFIED TOLERANCES | | XKB INDUSTRIAL PRECISION CO., LIMITED | | | | 1.0g | 1/1 | A0 |

REVISIONS
 Authorized Signature(s)

1 2 3 4 5 6 7 8



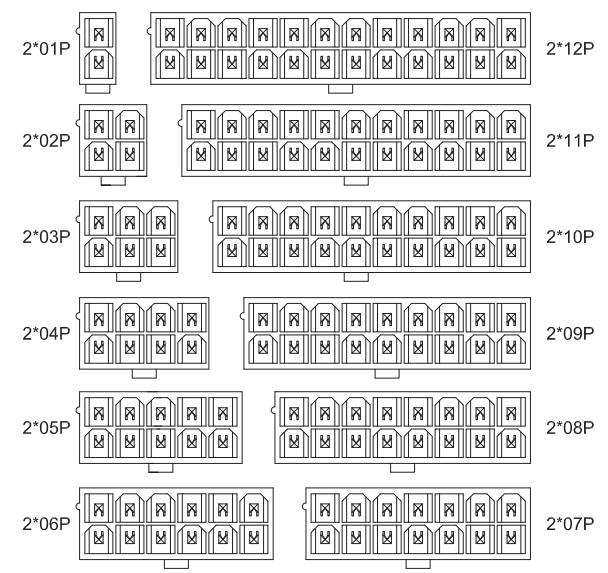
P.C.B. RECOMMENDED LAYOUT

| Poles | Dimensions(mm) | | Poles | Dimensions(mm) | |
|-------|----------------|-------|-------|----------------|-------|
| | A | B | | A | B |
| 2*01 | --- | 5.40 | 2*07 | 25.20 | 30.60 |
| 2*02 | 4.20 | 9.60 | 2*08 | 29.40 | 34.80 |
| 2*03 | 8.40 | 13.80 | 2*09 | 33.60 | 39.00 |
| 2*04 | 12.60 | 18.00 | 2*10 | 37.80 | 43.20 |
| 2*05 | 16.80 | 22.20 | 2*11 | 42.00 | 47.40 |
| 2*06 | 21.00 | 26.40 | 2*12 | 46.20 | 51.60 |

■ Specifications :

- Voltage rating: 600V AC / DC
- Current rating: 9A AC / DC
- Withstanding voltage: 1500V AC/minute
- Temperature range: -25°C~+85°C
- Insulation resistance: ≥1000MΩ
- Contact resistance: ≤10mΩ
- After environmental testing: ≤20mΩ

- 9357 W V X-2*XX HN-XX SN XX
- ① ② ③ ④ ⑤ ⑥ ⑦ ⑧ ⑨
- ① Series No.
 - ② Category: W-wafer
 - ③ Welding Board Angle: V-180°
 - ④ Welding Way: Blank-DIP
 - ⑤ Row No.-Pin No.: 2*XX-Double
 - ⑥ Special NO.: HN-The hollow needle
 - ⑦ Material: N0-PA66 94V-0; N2-PA66 94V-2
 - ⑧ Plating Category: SN-Bright tin plating
SN1-Bright tin plating(Ni:50u"Min;Sn:100u"Min)
 - ⑨ Color: Blank-natural color ; RD-dark red



| | | | | |
|-----------------------|-------------------------------|---------|---------------|-------------|
| X9357WV-2*XXHN-N2SN1 | Nylon 66 UL 94V-2 | Brass | Tin-Plated | X9357H |
| X9357WV-2*XXHN-N2SNRD | Nylon 66 UL 94V-2 Dark Red | | | |
| X9357WV-2*XXHN-N2SN | Nylon 66 UL 94V-2 | PART NO | Material(Pin) | Finish(Pin) |
| X9357WV-2*XXHN-N0SN | Nylon 66 UL 94V-0 | | | |
| | | | | |

For and on behalf of
XKB INDUSTRIAL PRECISION CO., LIMITED
 香港星坤工業精密有限公司

| MARK | DESCRIPTION | DATE | REVISED | APPROVED | UNSPECIFIED TOLERANCES |
|------|-------------|------|---------|----------|------------------------|
| △ X | | | | | ANGULAR ±5° |
| △ X | | | | | L ≤ 4 ±0.2 |
| △ X | | | | | 4 < L ≤ 16 ±0.3 |
| | | | | | 16 < L ≤ 63 ±0.4 |
| | | | | | L > 63 ±0.5 |

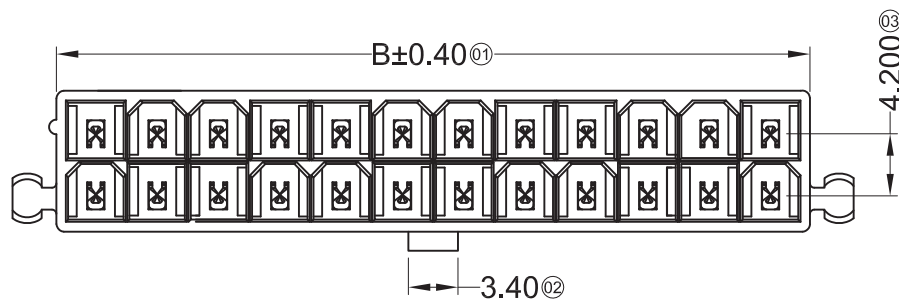
| | | | |
|---------------------------------------|------|------------|-------------------------------------|
| DSND | DATE | SCALE: N/A | MODEL TYPE: X9357WV-2*XXHN-N2SN1 |
| DWN | DATE | VIEW: | PART NO.: |
| CHKD | DATE | UNIT: mm | DWG NO.: |
| APPD | DATE | SIZE: A4 | |
| XKB INDUSTRIAL PRECISION CO., LIMITED | | | WEIGHT |
| | | | 1.0g |
| | | | SHEET |
| | | | 1/1 |
| | | | REVISION |
| | | | A0 |

REVISIONS
 Authorized Signature(s)

1 2 3 4 5 6 7 8

A
B
C
D
E
F

A
B
C
D
E
F



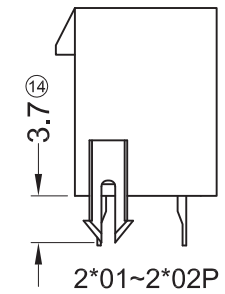
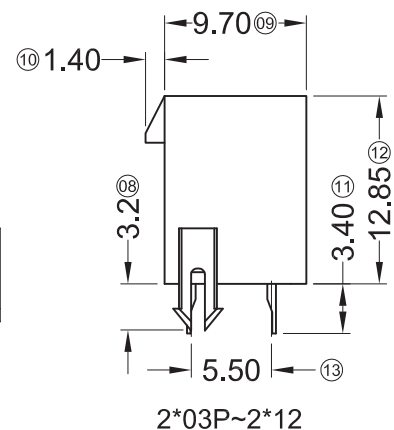
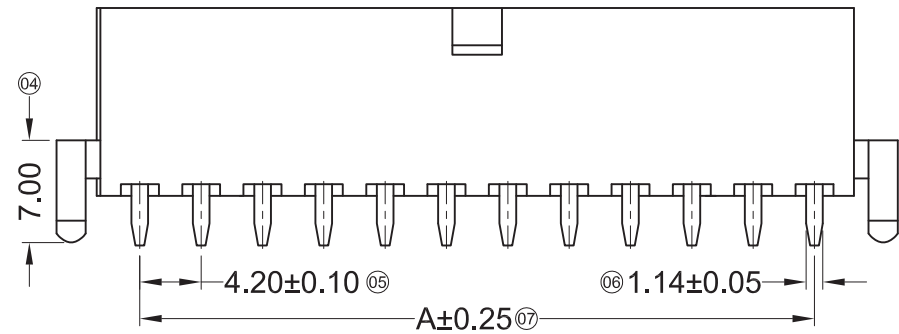
Specifications :

- Voltage rating: 600V AC / DC
- Current rating: 9A AC / DC
- Withstanding voltage: 1500V AC/minute
- Temperature range: -25°C~+85°C
- Insulation resistance: ≥1000MΩ
- Contact resistance: ≤10mΩ
- After environmental testing: ≤20mΩ

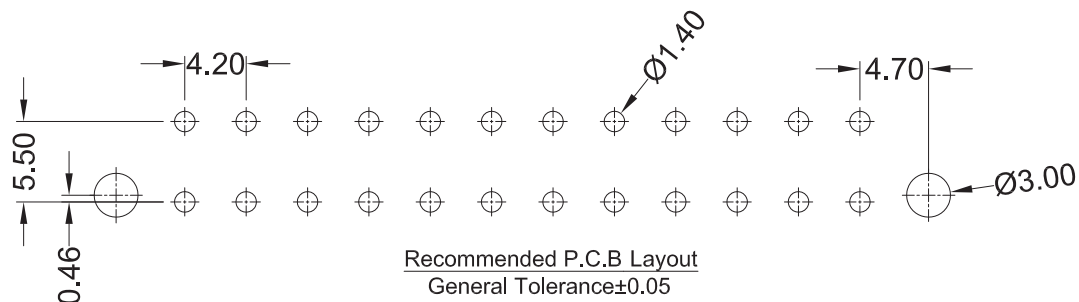
X9357 W V X-2*XX FS-XX XX XX

① ② ③ ④ ⑤ ⑥ ⑦ ⑧ ⑨

- ① Series No.
- ② Category: W-wafer
- ③ Welding Board Angle: V-180°
- ④ Welding Way: Blank-DIP
- ⑤ Row No.-Pin No.: 2*XX-Double
- ⑥ Special NO.: FS-The hollow needle with positioning column
- ⑦ Material: N0-PA66 94V-0 ; N2-PA66 94V-2
- ⑧ Planting Category:
SN-Bright tin plating
- △ G30-Contact area Gold plating:30u" min;
Tail area Bright tin plating
- ⑨ Color: Blank-natural color



| Poles | Dimensions(mm) | | Poles | Dimensions(mm) | |
|-------|----------------|-------|-------|----------------|-------|
| | A | B | | A | B |
| 2*01 | -- | 5.60 | 2*07 | 25.20 | 30.80 |
| 2*02 | 4.20 | 9.80 | 2*08 | 29.40 | 35.00 |
| 2*03 | 8.40 | 14.00 | 2*09 | 33.60 | 39.20 |
| 2*04 | 12.60 | 18.20 | 2*10 | 37.80 | 43.40 |
| 2*05 | 16.80 | 22.40 | 2*11 | 42.00 | 47.60 |
| 2*06 | 21.00 | 26.60 | 2*12 | 46.20 | 51.80 |



| | | | | |
|------------------------|-------------------|---------------|-------------|-----------------------|
| △ X9357WV-2*XXFS-N0G30 | Nylon 66 UL 94V-2 | | | |
| X9357WV-2*XXFS-N2SN | Nylon 66 UL 94V-2 | Brass | Tin-Plated | X9357H |
| X9357WV-2*XXFS-N0SN | Nylon 66 UL 94V-0 | | | |
| PART NO | Material | Material(Pin) | Finish(Pin) | Suitable XKB Terminal |

For and on behalf of
XKB INDUSTRIAL PRECISION CO., LIMITED
香港星坤工業精密有限公司

| | | | | | | |
|------|-------------|------|---------|----------|------------------------|------|
| △ X | | | | | ANGULAR | ±5° |
| △ X | | | | | L ≤ 4 | ±0.2 |
| △ X | | | | | 4 < L ≤ 16 | ±0.3 |
| MARK | DESCRIPTION | DATE | REVISED | APPROVED | 16 < L ≤ 63 | ±0.4 |
| | | | | | L > 63 | ±0.5 |
| | | | | | UNSPECIFIED TOLERANCES | |

| | | | | | | | |
|------|--|------|--|------------|------------------------------------|-------|----------|
| DSND | | DATE | | SCALE: N/A | MODEL TYPE: X9357WV-2*XXFS-XXXX | | |
| DWN | | DATE | | VIEW: | PART NO.: | | |
| CHKD | | DATE | | UNIT: mm | 4.20mm Crimp Style Connectors | | |
| APPD | | DATE | | SIZE: A4 | DWG NO.: | | |
| | | | | | WEIGHT | SHEET | REVISION |
| | | | | | 1.0g | 1/1 | A0 |

XKB INDUSTRIAL PRECISION CO., LIMITED

1 2 3 4 5 6 7 8

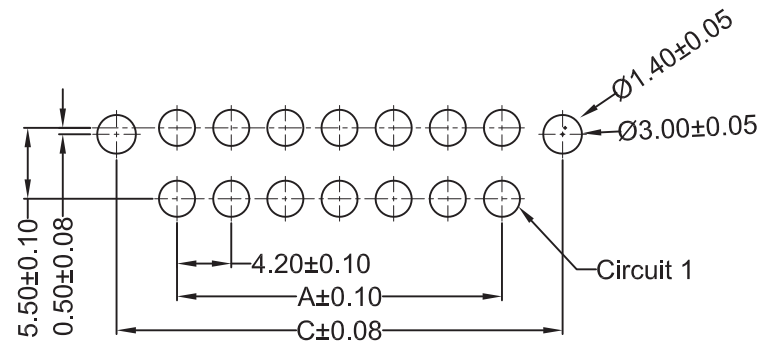
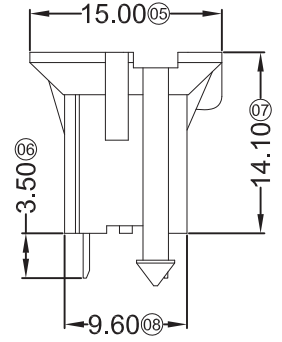
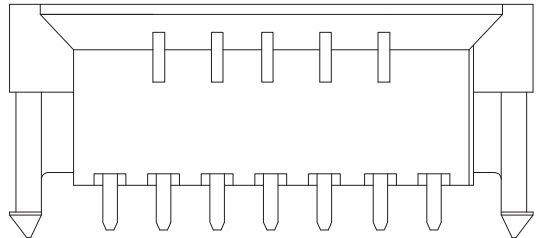
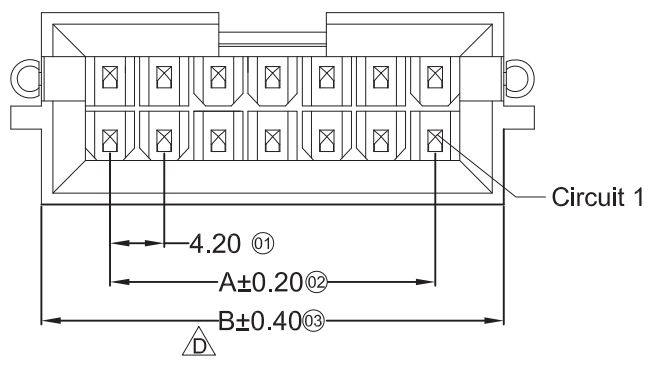
■ Specifications :

- Voltage rating: 600V AC / DC
- Current rating: 9A AC / DC
- Withstanding voltage: 1500V AC/minute
- Temperature range: -25°C~+85°C
- Insulation resistance: ≥1000MΩ
- Contact resistance: ≤10mΩ
- After environmental testing: ≤20mΩ

X9357 W V X-2*XX HB-XX SN XX

① ②③④ ⑤ ⑥ ⑦ ⑧ ⑨

- ① Series No.
- ② Category: W-wafer
- ③ Welding Board Angle: V- Straight 180°
- ④ Welding Way: Blank-DIP
- ⑤ Row No.-Pin No.: 2*XX-2*02P~2*12P
- ⑥ Plug the Pin & Special No.:
HB-The hollow needle with positioning column arrange ushering
- ⑦ Material: N0-PA66 94V-0 ; N2-PA66 94V-2
- ⑧ Planting Category: SN-Bright tin plating ;
- ⑨ Color: Blank-natural color



P.C.B LAYOUT

| Poles | Dimensions(mm) | | Poles | Dimensions(mm) | |
|-------|----------------|-------|-------|----------------|-------|
| | A | B | | A | B |
| 2*02 | 4.20 | 15.10 | 2*08 | 29.40 | 40.30 |
| 2*03 | 8.40 | 19.30 | 2*09 | 33.60 | 44.50 |
| 2*04 | 12.60 | 23.50 | 2*10 | 37.80 | 48.70 |
| 2*05 | 16.80 | 27.70 | 2*11 | 42.00 | 52.90 |
| 2*06 | 21.00 | 31.90 | 2*12 | 46.20 | 57.10 |
| 2*07 | 25.20 | 36.10 | | | |

| | | | | |
|---------------------|-------------------|---------------|------------|-----------------------|
| X9357WV-2*XXHB-N0SN | Nylon 66 UL 94V-0 | Brass | Tin-Plated | X9357HM-B |
| X9357WV-2*XXHB-N2SN | Nylon 66 UL 94V-2 | Brass | Tin-Plated | X9357HM-B |
| PART NO | Material | Material(Pln) | Flnsh(Pln) | Suitable XKB Terminal |

For and on behalf of
XKB INDUSTRIAL PRECISION CO., LIMITED
 香港星坤工業精密有限公司

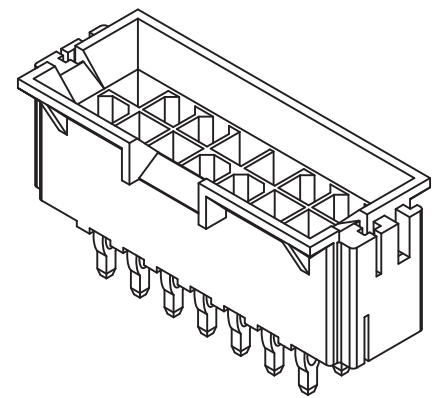
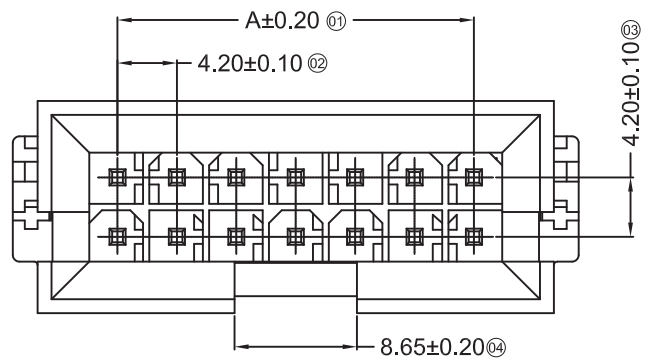
| MARK | DESCRIPTION | DATE | REVISED | APPROVED | UNSPECIFIED TOLERANCES |
|------|-------------|------|---------|----------|------------------------|
| △ X | | | | | ANGULAR ±5° |
| △ X | | | | | L ≤ 4 ±0.2 |
| △ X | | | | | 4 < L ≤ 16 ±0.3 |
| | | | | | 16 < L ≤ 63 ±0.4 |
| | | | | | L > 63 ±0.5 |

| | | | | | |
|------|--|------|--|------------|------------------------------------|
| DSND | | DATE | | SCALE: N/A | MODEL TYPE: X9357WV-2*XXHB-XXSN |
| DWN | | DATE | | VIEW: | PART NO.: |
| CHKD | | DATE | | UNIT: mm | 4.20 mm Crimp Style Connectors |
| APPD | | DATE | | SIZE: A4 | DWG NO.: |
| | | | | | WEIGHT 1.0g |
| | | | | | SHEET 1/1 |
| | | | | | REVISION A0 |

Authorized Signature(s)

XKB INDUSTRIAL PRECISION CO., LIMITED

1 2 3 4 5 6 7 8

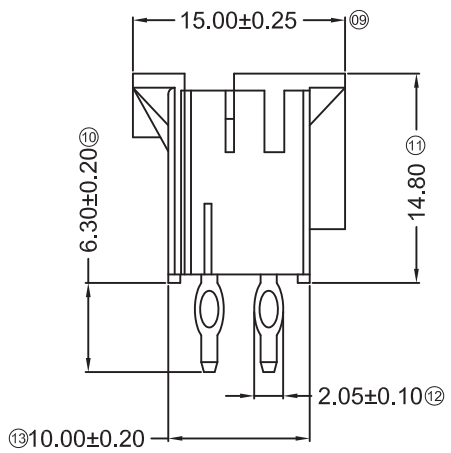
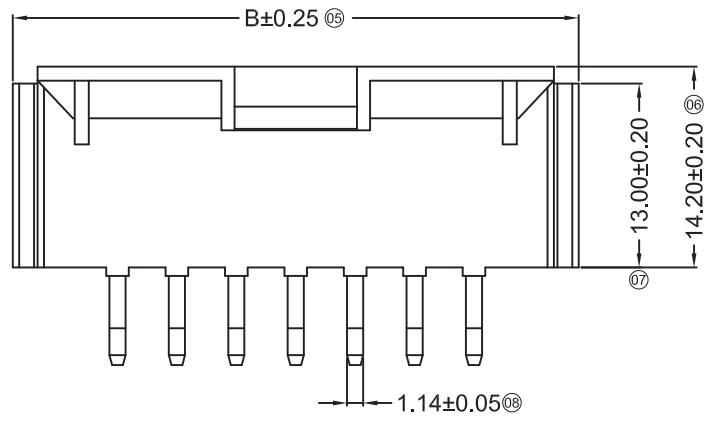


■ Specifications :

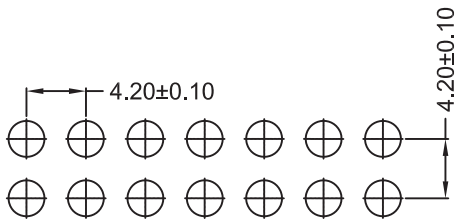
- Voltage rating: 600V AC / DC
- Current rating: 9A AC / DC
- Withstanding voltage: 1500V AC/minute
- Temperature range: -25°C~+85°C
- Insulation resistance: ≥1000MΩ
- Contact resistance: ≤10mΩ
- After environmental testing: ≤20mΩ

X9357 W V X-2*XX B-XX SN XX
 (1) (2) (3) (4) (5) (6) (7) (8) (9)

- (1) Series No.
- (2) Category: W-wafer
- (3) Welding Board Angle: V-180°
- (4) Welding Way: Blank-DIP ;
- (5) Row No.-Pin No.: 2*XX-Double row
- (6) Special NO.
- B-Arrange ushering with positioning column
- (7) Material: N0-PA66 94V-0 ; N2-PA66 94V-2
- (8) Plating Category:
 V:All Gold-Plated ; G:Gold-Plated Contact
 S-Silver Plating ; *01-Gold Flash ; *02-2u" ; *03-3u" ;
 *05-5u" ; *10-10u" ; *15-15u" ; *30-30u" ; *50-50u"
 N-Plating Nickel 30u" ; SN-Bright tin plating 70u"
 SW-Fog Tin plating
- (9) Color: Blank-natural color



| Poles | Dimensions (mm) | |
|-------|-----------------|-------|
| | A | B |
| 2x07 | 25.20 | 40.00 |
| 2x09 | 33.60 | 48.40 |
| 2x12 | 46.20 | 61.00 |



| | | | | |
|--------------------|-------------------|-----------------|-------------|-----------------------|
| X9357WV-2*XXB-N0SN | Nylon 66 UL 94V-0 | Phorphos Bronze | Tin-Plated | X9357HM-B |
| X9357WV-2*XXB-N2SN | Nylon 66 UL 94V-2 | Phorphos Bronze | Tin-Plated | X9357HM-B |
| PART NO | Material | Material(Pin) | Finish(Pin) | Suitable XKB Terminal |

For and on behalf of
XKB INDUSTRIAL PRECISION CO., LIMITED
 香港星坤工業精密有限公司

| MARK | DESCRIPTION | DATE | REVISED | APPROVED | UNSPECIFIED TOLERANCES | DSND | DATE | SCALE: N/A | MODEL TYPE: 9357WV-2*XXB-XXSN | | |
|-------------------------|-------------|------|---------|----------|------------------------|---------------------------------------|---|------------|----------------------------------|-------|----------|
| △ X | | | | | ANGULAR ±5° | DWN | DATE <td>VIEW: </td> <td>PART NO.:</td> | VIEW: | PART NO.: | | |
| △ X | | | | | L ≤ 4 ±0.2 | CHKD | DATE <td>UNIT: mm</td> <td>4.20mm Crimp Style Connectors</td> | UNIT: mm | 4.20mm Crimp Style Connectors | | |
| △ X | | | | | 4 < L ≤ 16 ±0.3 | APPD | DATE <td>SIZE: A4</td> <td>DWG NO.:</td> | SIZE: A4 | DWG NO.: | | |
| △ X | | | | | 16 < L ≤ 63 ±0.4 | | | | | | |
| MARK | | | | | L > 63 ±0.5 | | | | | | |
| REVISIONS | | | | | | XKB INDUSTRIAL PRECISION CO., LIMITED | | | WEIGHT | SHEET | REVISION |
| Authorized Signature(s) | | | | | | | | | 1.0g | 1/1 | A0 |

1 2 3 4 5 6 7 8

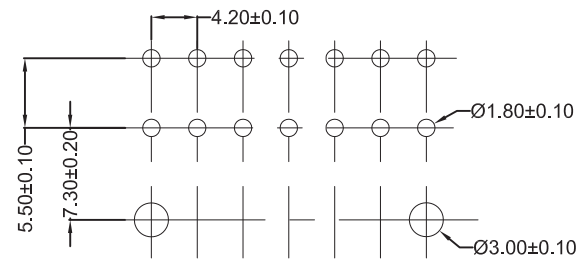
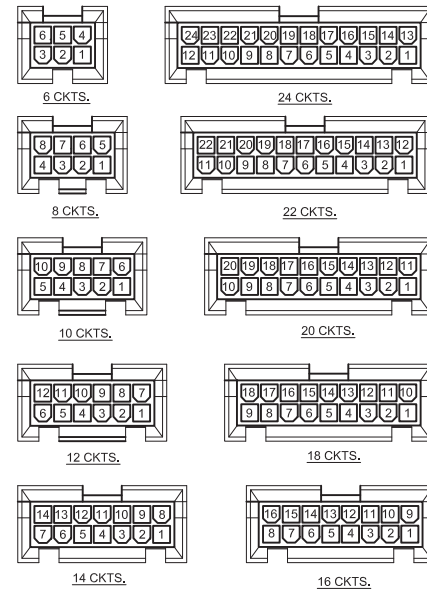
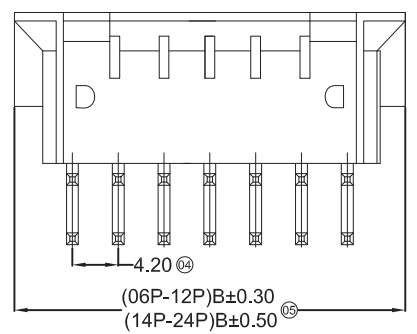
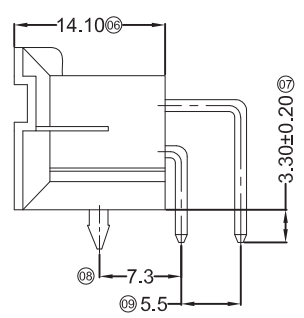
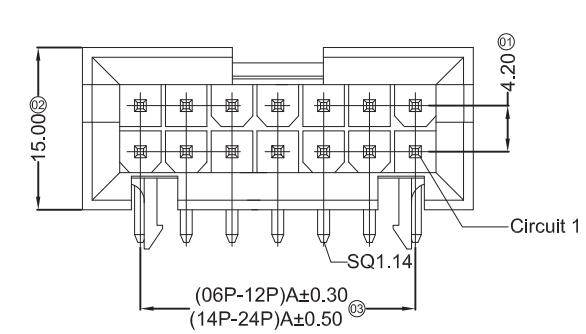
■ Specifications :

- Voltage rating: 600V AC / DC
- Current rating: 9A AC / DC
- Withstanding voltage: 1500V AC/minute
- Temperature range: -25°C~+85°C
- Insulation resistance: ≥1000MΩ
- Contact resistance: ≤10mΩ
- After environmental testing: ≤20mΩ

X9357 W R X-2*XX B-XX SN XX
 ① ② ③ ④ ⑤ ⑥ ⑦ ⑧ ⑨

- ① Series No.
- ② Category: W-wafer
- ③ Welding Board Angle: R- Right Angle 90°
- ④ Welding Way: Blank-DIP
- ⑤ Row No.-Pin No.: 2*XX-2*03P~2*12P
- ⑥ Plug the Pin & Special No.:
 B-Arrange ushering with positioning column
- ⑦ Material: N0-PA66 94V-0 ;N2-PA66 94V-2
- ⑧ Plating Category: SN-Bright tin plating ;
- ⑨ Color: Blank-natural color

| Poles | Dimensions(mm) | |
|-------|----------------|-------|
| | A | B |
| 2*03 | 8.40 | 19.20 |
| 2*04 | 12.60 | 23.40 |
| 2*05 | 16.80 | 27.60 |
| 2*06 | 21.00 | 31.80 |
| 2*07 | 25.20 | 36.00 |
| 2*08 | 29.40 | 40.20 |
| 2*09 | 33.60 | 44.40 |
| 2*10 | 37.80 | 48.60 |
| 2*11 | 42.00 | 52.80 |
| 2*12 | 46.20 | 57.00 |



P.C.B LAYOUT

KEY HOLD CIRCUIT SIZE LAYOUT

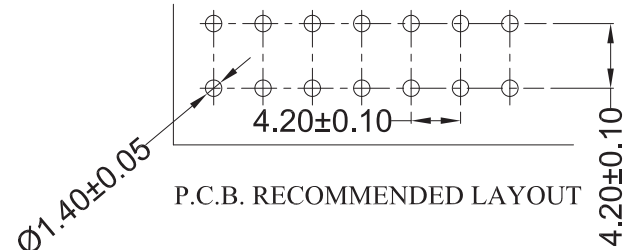
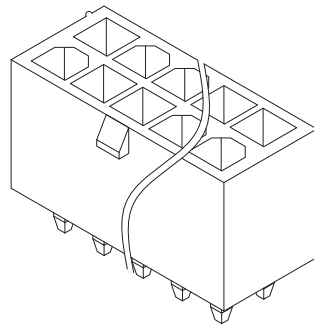
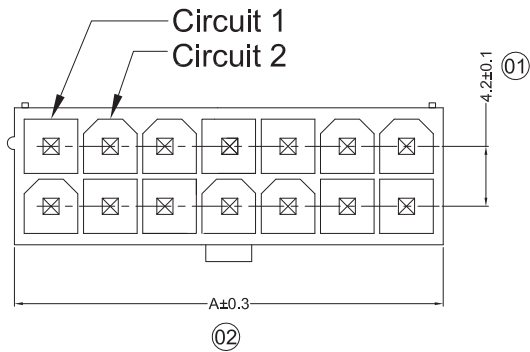
| | | | | |
|--------------------|-------------------|---------------|-------------|-----------------------|
| X9357WR-2*XXB-N0SN | Nylon 66 UL 94V-0 | Brass | Tin-Plated | X9357HM-B |
| X9357WR-2*XXB-N2SN | Nylon 66 UL 94V-2 | | | |
| PART NO | Material | Material(Pin) | Finish(Pin) | Suitable XKB Terminal |

For and on behalf of
XKB INDUSTRIAL PRECISION CO., LIMITED
 香港星坤工業精密有限公司

| | | | | | | |
|------|-------------|------|---------|----------|------------------------|------|
| △ X | | | | | ANGULAR | ±5° |
| △ X | | | | | L ≤ 4 | ±0.2 |
| △ X | | | | | 4 < L ≤ 16 | ±0.3 |
| MARK | DESCRIPTION | DATE | REVISED | APPROVED | 16 < L ≤ 63 | ±0.4 |
| | | | | | L > 63 | ±0.5 |
| | REVISIONS | | | | UNSPECIFIED TOLERANCES | |

| | | | |
|------|------|------------|-----------------------------------|
| DSND | DATE | SCALE: N/A | MODEL TYPE: X9357WR-2*XXB-XXSN |
| DWN | DATE | VIEW: | PART NO.: |
| CHKD | DATE | UNIT: mm | 4.20mm Crimp Style Connectors |
| APPD | DATE | SIZE: A4 | DWG NO.: |
| | | | WEIGHT: 1.0g |
| | | | SHEET: 1/1 |
| | | | REVISION: A0 |

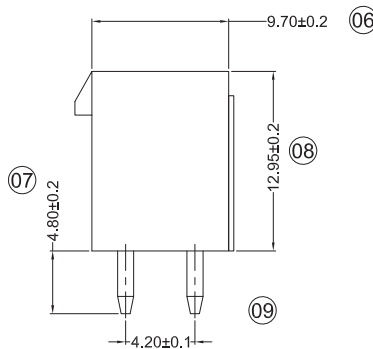
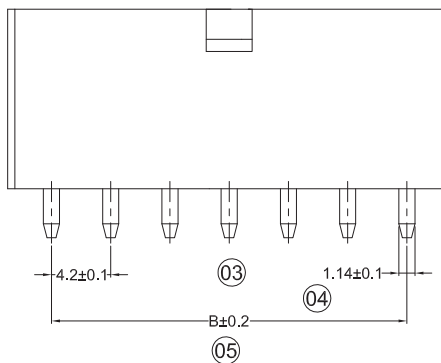
XKB INDUSTRIAL PRECISION CO., LIMITED



P.C.B. RECOMMENDED LAYOUT

Specifications :

- Voltage rating: 600V AC / DC
- Current rating: 9A AC / DC
- Withstanding voltage: 1500V AC/minute
- Temperature range: -25°C~+85°C
- Insulation resistance: ≥100MΩ
- Contact resistance: ≤10mΩ
- After environmental testing: ≤20mΩ



X9357 W V X-2*XX S1- XX XX XX

01 02 03 04 05 06 07 08 09

- 01 Series No.
- 02 Category:
W-wafer
- 03 Welding Board Angle:
V-180°
- 04 Welding Way:
Blank-DIP
- 05 Row No.-Pin No.
2*XX-Double row
- 06 Plug the Pin & Special NO.
S1-DIP=4.80
- 07 Material:
N0-PA66 94V-0 ; N2-PA66 94V-2
- 08 Planting Category:
V:All Gold-Plated *01-Gold Flash
SN-Bright tin plating 70u"
SW-Fog Tin plating
- 09 Color:
Blank-natural color

| Poles | Dimensions (mm) | |
|-------|-----------------|-------|
| | A | B |
| 2 | 5.60 | - |
| 4 | 9.80 | 4.20 |
| 6 | 14.00 | 8.40 |
| 8 | 18.20 | 12.60 |
| 10 | 22.40 | 16.80 |
| 12 | 26.60 | 21.00 |
| 14 | 30.80 | 25.20 |
| 16 | 35.00 | 29.40 |
| 18 | 39.20 | 33.60 |
| 20 | 43.40 | 37.80 |
| 22 | 47.60 | 42.00 |
| 24 | 51.80 | 46.20 |

| | | | | |
|---------------------|-------------------|--------------------------|------------|--------|
| 9357WV-2*XXS1-N0V01 | Nylon 66 UL 94V-0 | Brass Or Phosphor Bronze | Gold-Flash | X9357H |
| 9357WV-2*XXS1-N0SN | Nylon 66 UL 94V-0 | Brass Or Phosphor Bronze | Tin-Plated | |
| 9357WV-2*XXS1-N2V01 | Nylon 66 UL 94V-2 | Brass Or Phosphor Bronze | Gold-Flash | |
| 9357WV-2*XXS1-N2SN | Nylon 66 UL 94V-2 | Brass Or Phosphor Bronze | Tin-Plated | |

| PART NO | Material | Finish(Pin) | Suitable XKB Terminal |
|---------|----------|-------------|-----------------------|
|---------|----------|-------------|-----------------------|

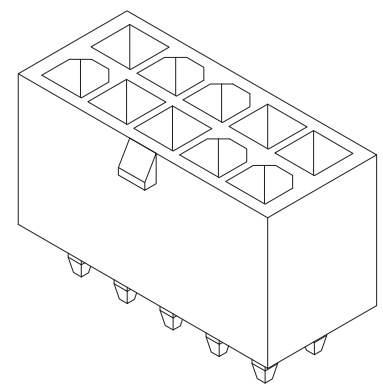
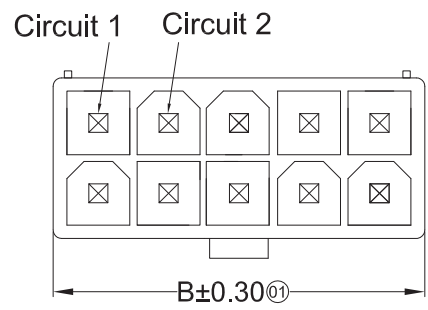
For and on behalf of
XKB INDUSTRIAL PRECISION CO., LIMITED
香港星坤工業精密有限公司

| MARK | DESCRIPTION | DATE | REVISED | APPROVED | UNSPECIFIED TOLERANCES |
|------|-------------|------|---------|----------|------------------------|
| △ X | | | | | ANGULAR ±5° |
| △ X | | | | | L ≤ 4 ±0.2 |
| △ X | | | | | 4 < L ≤ 16 ±0.3 |
| MARK | | | | | 16 < L ≤ 63 ±0.4 |
| | | | | | L > 63 ±0.5 |

| DSND | DATE | SCALE: N/A | MODEL TYPE: |
|------|------|------------|--------------------------------|
| DWN | DATE | VIEW: | X9357WV-2*XXS1-XXXX |
| CHKD | DATE | UNIT: mm | PART NO.: |
| APPD | DATE | SIZE: A4 | 4.20 mm Crimp Style Connectors |
| | | | DWG NO.: |

| REVISIONS | WEIGHT | SHEET | REVISION |
|-------------------------|--------|-------|----------|
| Authorized Signature(s) | 1.0g | 1/1 | A0 |

XKB INDUSTRIAL PRECISION CO., LIMITED

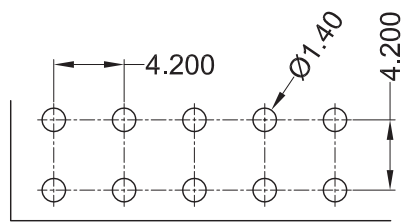
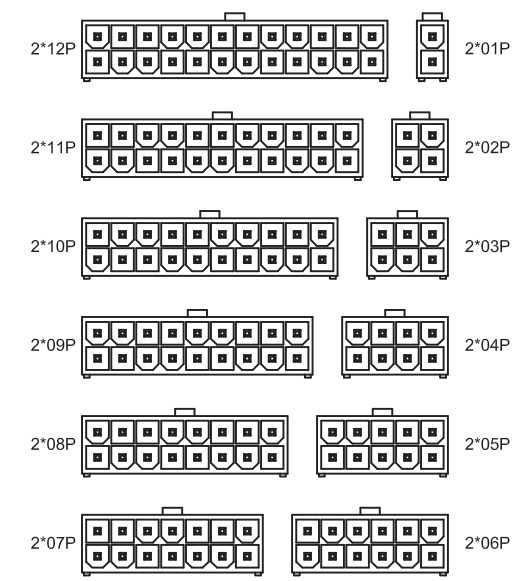
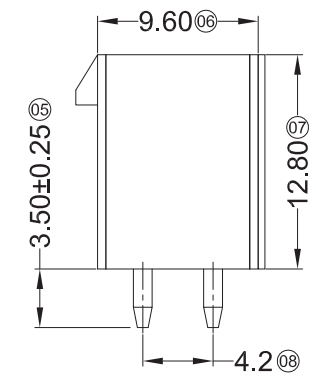
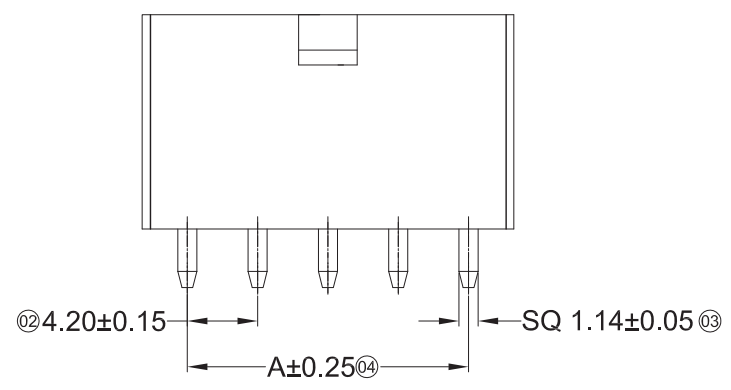


Specifications :

- Voltage rating: 600V AC / DC
- Current rating: 9A AC / DC
- Withstanding voltage: 1500V AC/minute
- Temperature range: -25°C~+85°C
- Insulation resistance: ≥100MΩ
- Contact resistance: ≤10mΩ
- After environmental testing: ≤20mΩ

X9357 W V X-2*XX D-XX XX XX
① ② ③ ④ ⑤ ⑥ ⑦ ⑧ ⑨

- ① Series No.
- ② Category: W-WAFER
- ③ Welding Board Angle: V- Stright 180° ;
- ④ Welding Way: Blank-DIP
- ⑤ Row No.-Pin No.: 2*XX-2*01P~2*12P
- ⑥ Plug the Pin & Special No.:
D-Without gluten; F-Halogen Free
- ⑦ Material: N2-PA66 94V-2
- ⑧ Plating Category: SN-Bright Tin Plating ;
V01-Gold Flash
- ⑨ Color : Blank-Natural Color; BK-Black;
GY-Gray; RE-Red



Recommended P.C.B Layout
General Tolerance±0.05

| Poles | Dimensions (mm) | | Poles | Dimensions (mm) | |
|-------|-----------------|-------|-------|-----------------|-------|
| | A | B | | A | B |
| 2*01 | -- | 5.40 | 2*07 | 25.20 | 30.60 |
| 2*02 | 4.20 | 9.60 | 2*08 | 29.40 | 34.80 |
| 2*03 | 8.40 | 13.80 | 2*09 | 33.60 | 39.00 |
| 2*04 | 12.60 | 18.00 | 2*10 | 37.80 | 43.20 |
| 2*05 | 16.80 | 22.20 | 2*11 | 42.00 | 47.40 |
| 2*06 | 21.00 | 26.40 | 2*12 | 46.20 | 51.60 |

| | | | | |
|-----------------------|----------------------------------|---------------|-------------|-----------------------|
| X9357WV-2*XXDF-N2SNXX | Nylon 66 UL 94V-2 (Halogen Free) | Brass | Tin-Plated | X9357H |
| X9357WV-2*XXD-N2V01XX | Nylon 66 UL 94V-2 | | Gold-Flash | |
| X9357WV-2*XXD-N2SNXX | Nylon 66 UL 94V-2 | | Tin-Plated | |
| PART NO | Material | Material(Pin) | Finish(Pin) | Suitable XKB Terminal |

For and on behalf of
XKB INDUSTRIAL PRECISION CO., LIMITED
香港星坤工業精密有限公司

| MARK | DESCRIPTION | DATE | REVISED | APPROVED | UNSPECIFIED TOLERANCES |
|------|-------------|------|---------|----------|------------------------|
| △ X | | | | | ANGULAR ±5° |
| △ X | | | | | L ≤ 4 ±0.2 |
| △ X | | | | | 4 < L ≤ 16 ±0.3 |
| | | | | | 16 < L ≤ 63 ±0.4 |
| | | | | | L > 63 ±0.5 |

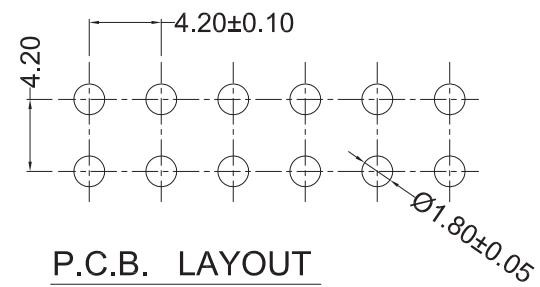
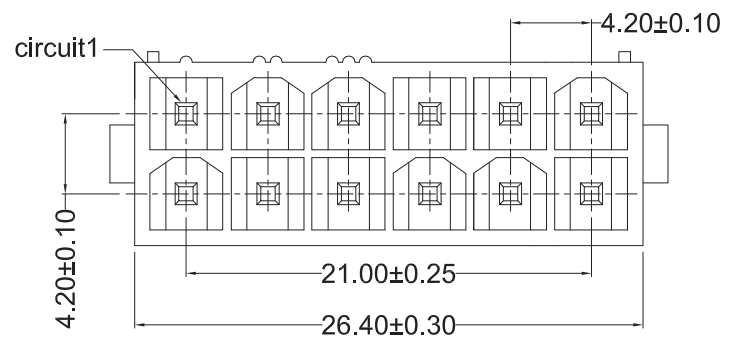
| | | | |
|------|------|------------|---------------------------------|
| DSND | DATE | SCALE: N/A | MODEL TYPE: X9357WV-2*XXDX-XXXX |
| DWN | DATE | VIEW: | PART NO.: |
| CHKD | DATE | UNIT: mm | 4.20 mm Crimp Style Connectors |
| APPD | DATE | SIZE: A4 | DWG NO.: |
| | | | WEIGHT 1.0g |
| | | | SHEET 1/1 |
| | | | REVISION A0 |

XKB INDUSTRIAL PRECISION CO., LIMITED

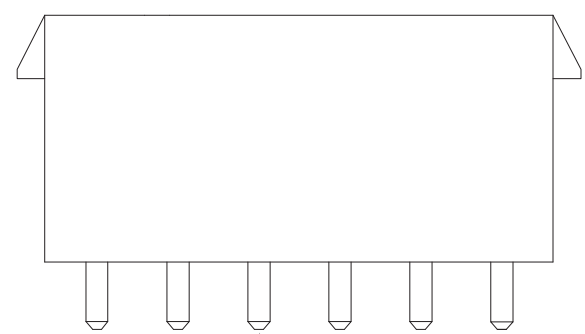
1 2 3 4 5 6 7 8

A
B
C
D
E
F

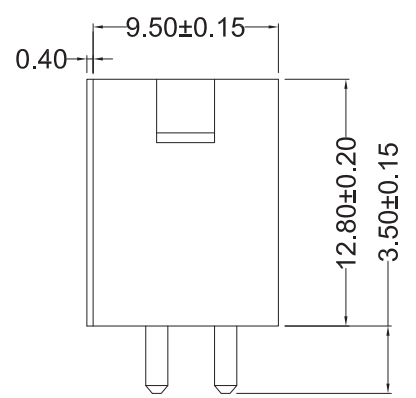
A
B
C
D
E
F



P.C.B. LAYOUT



SQ1.14



■ Specifications :

- Voltage rating: 600V AC / DC
- Current rating: 9A AC / DC
- Withstanding voltage: 1500V AC/minute
- Temperature range: -25°C~+85°C
- Insulation resistance: ≥1000MΩ
- Contact resistance: ≤10mΩ
- After environmental testing: ≤20mΩ

X9357 W V X-2*XXA-XX SN XX
 ① ② ③ ④ ⑤ ⑥ ⑦ ⑧ ⑨

- ① Series No.
- ② Category:
W-wafer
- ③ Welding Board Angle:
V-180°
- ④ Welding Way:
Blank-DIP ;
- ⑤ Row No.-Pin No.
2*XX-Double row
- ⑥ Special NO.
A-On both sides of hook
- ⑦ Material:
N0-PA66 94V-0 ; N2-PA66 94V-2
- ⑧ Planting Category:
V:All Gold-Plated
G:Gold-Plated Contact
*01-1u" ; *02-2u" ; *03-3u" ; *05-5u"
*10-10u" ; *15-15u" ; *30-30u" ; *50-50u"
N-Plating Nickel 30u" ; SN-Bright tin plating 70u"
SW-Fog Tin plating
- ⑨ Color:
Blank-natural color

| | | | | |
|--------------------|-------------------|---------------|-------------|-----------------------|
| X9357WV-2*06A-N2SN | Nylon 66 UL 94V-2 | Brass | Tin-Plated | X9357H |
| PART NO | Material | Material(Pin) | Finish(Pin) | Suitable XKB Terminal |

For and on behalf of
XKB INDUSTRIAL PRECISION CO., LIMITED
 香港星坤工業精密有限公司

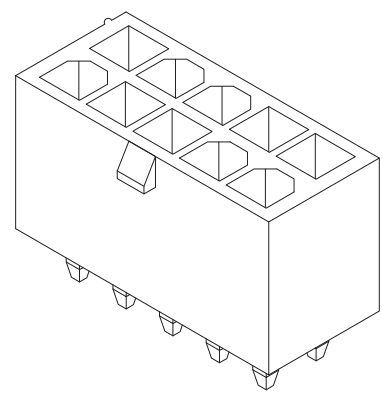
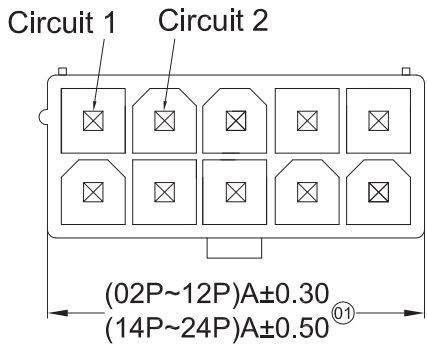
| | | | | | | |
|------|-------------|------|---------|----------|------------------------|------|
| △ X | | | | | ANGULAR | ±5° |
| △ X | | | | | L ≤ 4 | ±0.2 |
| △ X | | | | | 4 < L ≤ 16 | ±0.3 |
| MARK | DESCRIPTION | DATE | REVISED | APPROVED | 16 < L ≤ 63 | ±0.4 |
| | | | | | L > 63 | ±0.5 |
| | | | | | UNSPECIFIED TOLERANCES | |

| | | | |
|------|------|------------|-----------------------------------|
| DSND | DATE | SCALE: N/A | MODEL TYPE: X9357WV-2*06A-N2SN |
| DWN | DATE | VIEW: | PART NO.: |
| CHKD | DATE | UNIT: mm | 4.20mm Crimp Style connectors |
| APPD | DATE | SIZE: A4 | DWG NO.: |
| | | | WEIGHT |
| | | | 1.0g |
| | | | SHEET |
| | | | 1/1 |
| | | | REVISION |
| | | | A0 |

REVISIONS
 Authorized Signature(s)

XKB INDUSTRIAL PRECISION CO., LIMITED

1 2 3 4 5 6 7 8



■ Specifications :

- Voltage rating: 600V AC / DC
- Current rating: 9A AC / DC
- Withstanding voltage: 1500V AC/minute
- Temperature range: -25°C~+85°C
- Insulation resistance: ≥100MΩ
- Contact resistance: ≤10mΩ
- After environmental testing: ≤20mΩ

X9357 W V X-2*XX X-XX XX XX
① ② ③ ④ ⑤ ⑥ ⑦ ⑧ ⑨

- ① Series No.
- ② Category: W-WAFER
- ③ Welding Board Angle: V-Stright 180° ;
- ④ Welding Way: Blank-DIP
- ⑤ Row No.-Pin No.: 2*XX-2*01P~2*12P
- ⑥ Plug the Pin & Special No.:
G-Join The glass fiber 15%
- ⑦ Material: N0-PA66 94V-0 ; N2-PA66 94V-2
9T-PA9T 94V-0 ; 46-PA46 94V-0
- ⑧ Plating Category: SN-Bright Tin Plating
- ⑨ Color : Blank-Natural Color BK-Black GY-Gray

A

A

B

B

C

C

D

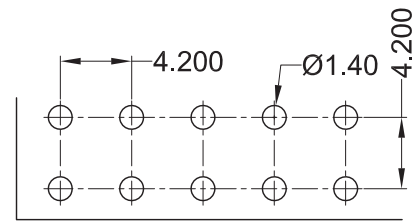
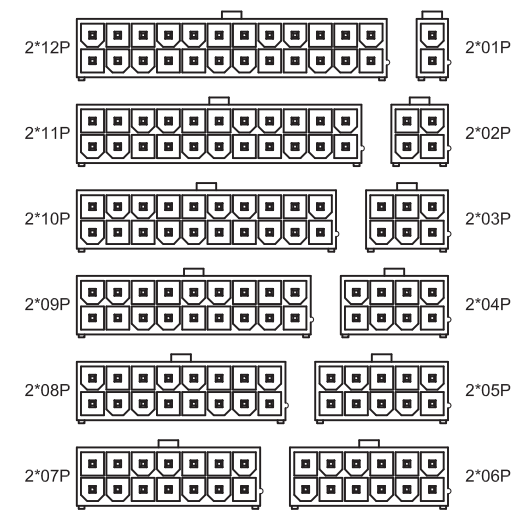
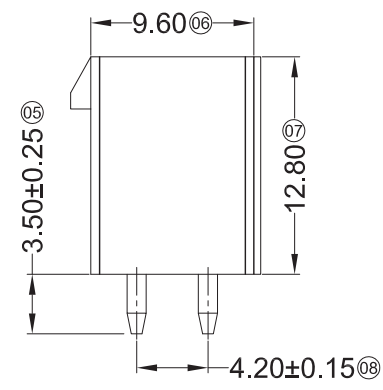
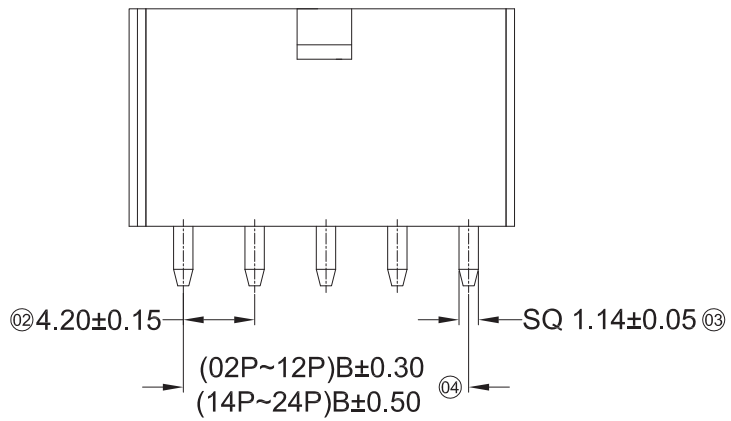
D

E

E

F

F



Recommended P.C.B Layout
General Tolerance±0.05

| Poles | Dimensions (mm) | | Poles | Dimensions (mm) | |
|-------|-----------------|-------|-------|-----------------|-------|
| | A | B | | A | B |
| 2*01 | 5.40 | -- | 2*07 | 30.60 | 25.20 |
| 2*02 | 9.60 | 4.20 | 2*08 | 34.80 | 29.40 |
| 2*03 | 13.80 | 8.40 | 2*09 | 39.00 | 33.60 |
| 2*04 | 18.00 | 12.60 | 2*10 | 43.20 | 37.80 |
| 2*05 | 22.20 | 16.80 | 2*11 | 47.40 | 42.00 |
| 2*06 | 26.40 | 21.00 | 2*12 | 51.60 | 46.20 |

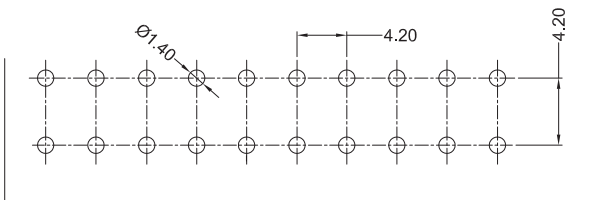
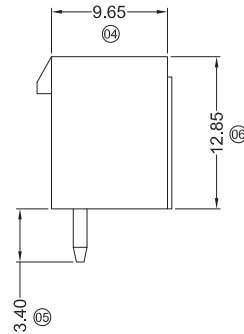
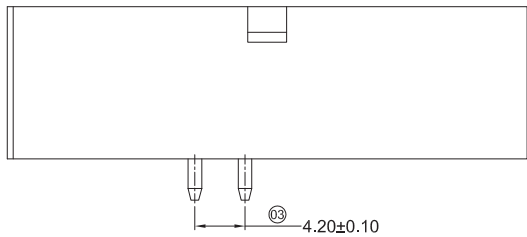
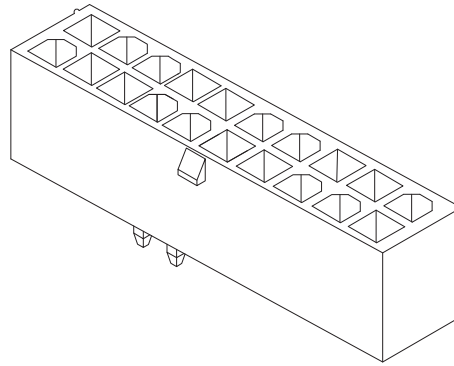
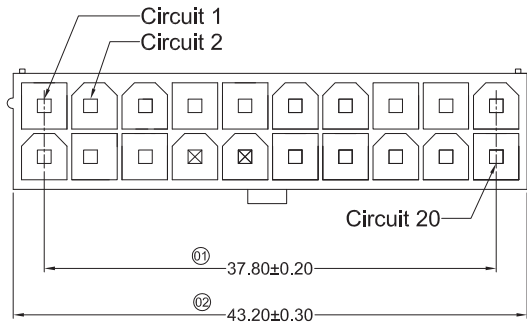
| PART NO | Material | Material(Pin) | Finish(Pin) | Suitable XKB Terminal |
|---------------------|----------------------------|---------------|-------------|-----------------------|
| X9357WV-2*XX-9TSW | Nylon 9T UL 94V-0 | Brass | Matte tin | X9357H |
| X9357WV-2*XX-N2V01 | Nylon 66 UL 94V-2 | Brass | Gold-Flash | |
| X9357WV-2*XX-N2SN | Nylon 66 UL 94V-2 | Brass | Tin-Plated | |
| X9357WV-2*XXG-N2V01 | Nylon 66 UL 94V-2 GF15% | Brass | Gold-Flash | |
| X9357WV-2*XXG-N2SN | Nylon 66 UL 94V-2 GF15% | Brass | Tin-Plated | |
| | | | | |

For and on behalf of
XKB INDUSTRIAL PRECISION CO., LIMITED
香港星坤工業精密有限公司

| MARK | DESCRIPTION | DATE | REVISED | APPROVED | UNSPECIFIED TOLERANCES |
|------|-------------|------|---------|----------|------------------------|
| △ X | | | | | ANGULAR ±5° |
| △ X | | | | | L ≤ 4 ±0.2 |
| △ X | | | | | 4 < L ≤ 16 ±0.3 |
| | | | | | 16 < L ≤ 63 ±0.4 |
| | | | | | L > 63 ±0.5 |

| DSND | DATE | SCALE: N/A | MODEL TYPE: X9357WV-2*XXX-XXXX |
|------|------|------------|--------------------------------|
| DWN | DATE | VIEW: | PART NO.: |
| CHKD | DATE | UNIT: mm | 4.20 mm Crimp Style Connectors |
| APPD | DATE | SIZE: A4 | DWG NO.: |
| | | | WEIGHT 1.0g |
| | | | SHEET 1/1 |
| | | | REVISION A0 |

XKB INDUSTRIAL PRECISION CO., LIMITED



P.C.B LAYOUT

■ Specifications :

- Voltage rating:600V AC / DC
- Current rating: 9A AC / DC
- Withstanding voltage: 1500V AC/minute
- Temperature range: -25°C~+85°C
- Insulation resistance:≥1000MΩ
- Contact resistance: ≤10mΩ
- After environmental testing: ≤20mΩ

X9357 W V X-2*XX NV18-N2 SN XX

① ② ③ ④ ⑤ ⑥ ⑦ ⑧ ⑨

- ① Series No
- ② Category: W-WAFER
- ③ Welding Board Angle: V-180° ; R-90°
- ④ Welding Way: Blank-DIP ; S-SMT ;
W-Male and Female conjoined
- ⑤ Row No.-Pin No.: XX-Single Row ; 2*XX-Double Row
- ⑥ Special No.: NV18-Lack of 1-13PIN, 16PIN-20PIN
- ⑦ Material: 6T-PA6T 9T-PA9T 46-PA46 LP-LCP PT-PBT
N0-PA66 94V-0 N2-PA66 94V-2 TS-Other
- ⑧ Plating Category: G**-Gold Plated Contact
V**- All Gold-Plated
S**-Silver Plated
01-Gold Flash 02-2u" 03-3u" 05-5u"
10-10u" 15-15u" 30-30u" 50-50u"
N-Nickel Plated(30-50u")
SN-Bright Tin Plating (70u")
SN1-Bright Tin Plating (120u" Min).
SW- Fog Tin Plating
HS-Hight temperature Tin
- ⑨ Color : Blank-Natural Color
BK-black ; BR-brown ; RE-red ;
OR-orange ; YE-yellow ; GR-green ; BL-blue ;
PR-purple ; GY-gray ; WH-white ; BE-beige
BN-Coffee ; LB-light blue ; RD-Dark red ; TS-other

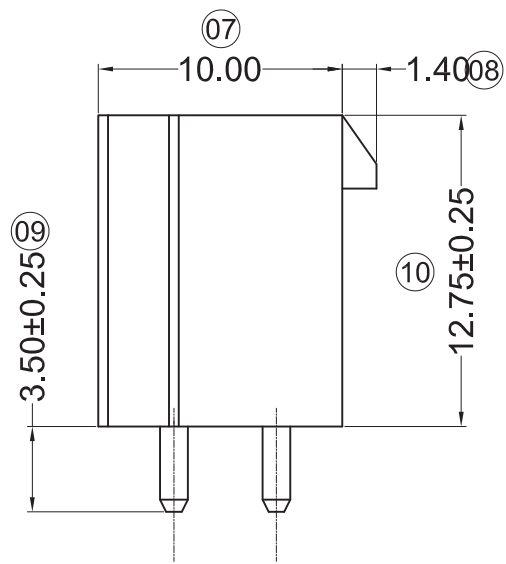
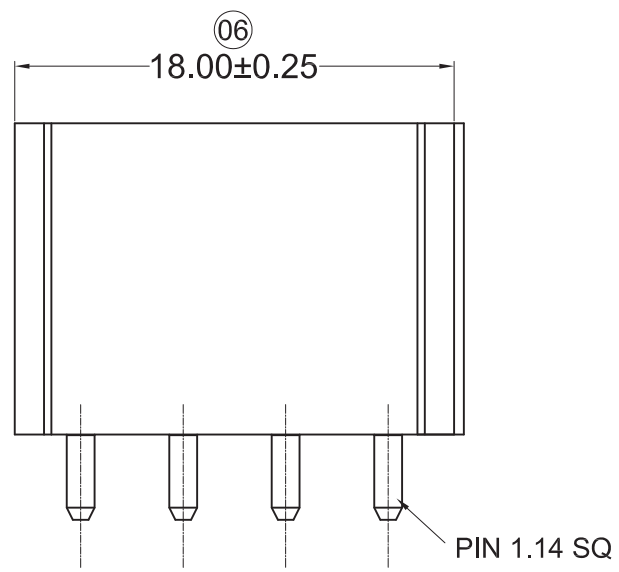
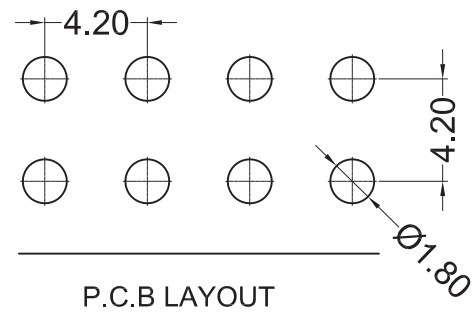
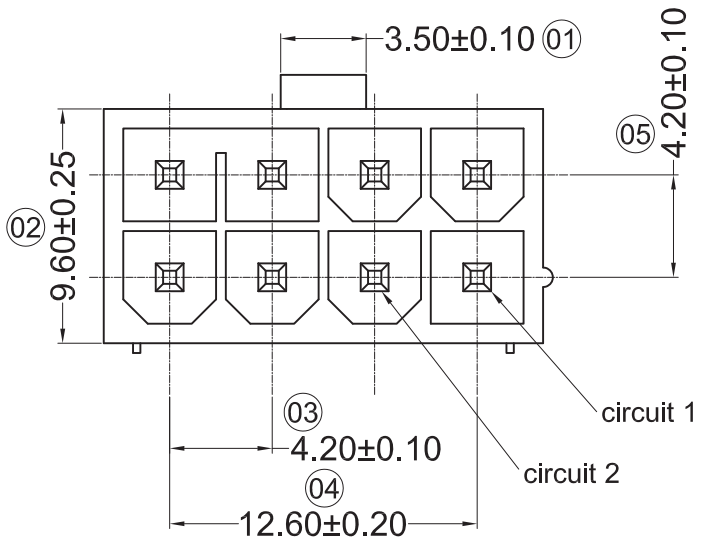
| | | | | |
|-----------------------|-------------------|---------------|-------------|-----------------------|
| X9357WV-2*10NV18-N2SN | Nylon 66 UL 94V-2 | Brass | Tin-Plated | X9357H |
| PART NO | Material | Material(Pin) | Finish(Pin) | Suitable XKB Terminal |

For and on behalf of
XKB INDUSTRIAL PRECISION CO., LIMITED
香港星坤工業精密有限公司

| | | | | | | |
|-----------|-------------|------|---------|----------|------------------------|------|
| △ X | | | | | ANGULAR | ±5° |
| △ X | | | | | L ≤ 4 | ±0.2 |
| △ X | | | | | 4 < L ≤ 16 | ±0.3 |
| MARK | DESCRIPTION | DATE | REVISED | APPROVED | 16 < L ≤ 63 | ±0.4 |
| | | | | | L > 63 | ±0.5 |
| REVISIONS | | | | | UNSPECIFIED TOLERANCES | |

| | | | | | | |
|------|--|------|--|------------|--------------------------------------|----------|
| DSND | | DATE | | SCALE: N/A | MODEL TYPE: X9357WV-2*10NV18-N2SN | |
| DWN | | DATE | | VIEW: | PART NO.: | |
| CHKD | | DATE | | UNIT: mm | 4.20mm Crimp Style Connectors | |
| APPD | | DATE | | SIZE: A4 | DWG NO.: | |
| | | | | WEIGHT | SHEET | REVISION |
| | | | | 1.0g | 1/1 | A0 |

XKB INDUSTRIAL PRECISION CO., LIMITED



- Specifications :
- Voltage rating: 600V AC / DC
 - Current rating: 9A AC / DC
 - Withstanding voltage: 1500V AC/minute
 - Temperature range: -25°C~+85°C
 - Insulation resistance: ≥1000MΩ
 - Contact resistance: ≤10mΩ

X9357 W V X-2*04 EH2 X - XX SN XX

- ① Series No.
 ② Category: W-wafer
 ③ Welding Board Angle: V-180°
 ④ Welding Way: Blank-DIP
 ⑤ Row No.-Pin No.: 2*XX-Double
 ⑥ Plug the Pin & Special NO.
 EH2-interlinked hole With small buckle
 F-Halogen free Black
 ⑦ Material:
 N0-PA66 94V-0 ; N2-PA66 94V-2
 ⑧ Planting Category:
 SN-Bright tin plating 70u"
 SW-Fog Tin plating
 ⑨ Color: Blank-natural color

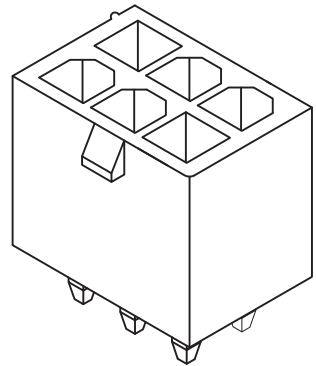
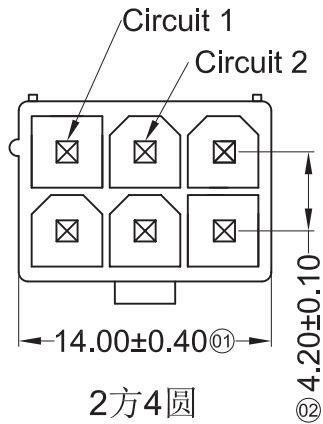
| | | | | |
|-----------------------|-------------------------------|---------------|-------------|-----------------------|
| X9357WV-2*04EH2F-N2SN | PA66 UL 94V-2 Halogen free | Brass | Tin-Plated | X9357H |
| X9357WV-2*04EH2-N2SN | PA66 UL 94V-2 | | | |
| PART NO | Material | Material(Pin) | Finish(Pin) | Suitable XKB Terminal |

For and on behalf of
XKB INDUSTRIAL PRECISION CO., LIMITED
香港星坤工業精密有限公司

| | | | | | | |
|-----------|-------------|------|---------|----------|------------------------|------|
| △ X | | | | | ANGULAR | ±5° |
| △ X | | | | | L ≤ 4 | ±0.2 |
| △ X | | | | | 4 < L ≤ 16 | ±0.3 |
| MARK | DESCRIPTION | DATE | REVISED | APPROVED | 16 < L ≤ 63 | ±0.4 |
| | | | | | L > 63 | ±0.5 |
| REVISIONS | | | | | UNSPECIFIED TOLERANCES | |

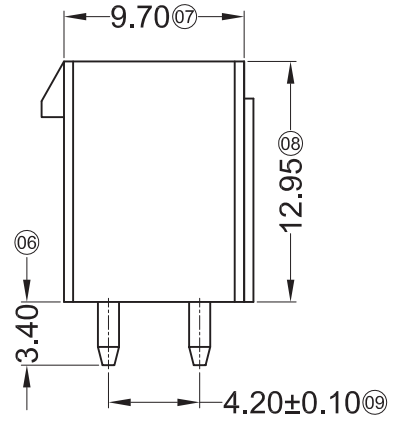
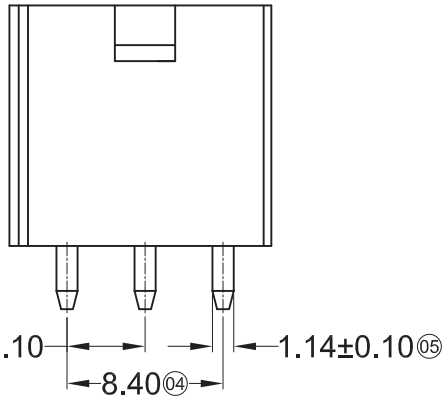
| | | | | | | |
|------|--|------|--|------------|--------------------------------------|----------|
| DSND | | DATE | | SCALE: N/A | MODEL TYPE: X9357WV-2*04EH2X-XXSN | |
| DWN | | DATE | | VIEW: | PART NO.: | |
| CHKD | | DATE | | UNIT: mm | 4.20mm Crimp Style Connectors | |
| APPD | | DATE | | SIZE: A4 | DWG NO.: | |
| | | | | WEIGHT | SHEET | REVISION |
| | | | | 1.0g | 1/1 | A0 |

XKB INDUSTRIAL PRECISION CO., LIMITED



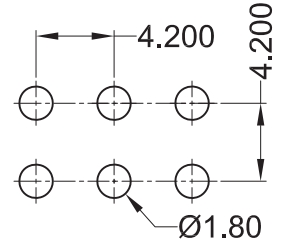
Specifications :

- Voltage rating: 600V AC / DC
- Current rating: 9A AC / DC
- Withstanding voltage: 1500V AC/minute
- Temperature range: -25°C~+85°C
- Insulation resistance: ≥1000MΩ
- Contact resistance: ≤10mΩ
- After environmental testing: ≤20mΩ



X9357 W V X-2*03 A-XX XX XX
 ① ② ③ ④ ⑤ ⑥ ⑦ ⑧ ⑨

- ① Series No.
- ② Category: W-WAFER
- ③ Welding Board Angle: V- Stright 180° ;
- ④ Welding Way: Blank-DIP
- ⑤ Row No.-Pin No.: 2*03-2*03P
- ⑥ Plug the Pin & Special No.: A-2方4圆
- ⑦ Material: N0-PA66 94V-0 ; N2-PA66 94V-2
- ⑧ Plating Category: SN-Bright Tin Plating;V01-Gold Flash
- ⑨ Color : Blank-Natural Color



Recommended P.C.B Layout
 General Tolerance±0.05

| | | | | |
|---------------------|-------------------|---------------|-------------|-----------------------|
| X9357WV-2*03A-N0V01 | Nylon 66 UL 94V-0 | Brass | Gold-Flash | X9357H |
| X9357WV-2*03A-N0SN | Nylon 66 UL 94V-0 | | Tin-Plated | |
| X9357WV-2*03A-N2V01 | Nylon 66 UL 94V-2 | | Gold-Flash | |
| X9357WV-2*03A-N2SN | Nylon 66 UL 94V-2 | | Tin-Plated | |
| PART NO | Material | Material(Pin) | Finish(Pin) | Suitable XKB Terminal |

For and on behalf of
XKB INDUSTRIAL PRECISION CO., LIMITED
香港星坤工業精密有限公司

| | | | | | | |
|-----------|-------------|------|---------|----------|------------------------|------|
| △ X | | | | | ANGULAR | ±5° |
| △ X | | | | | L ≤ 4 | ±0.2 |
| △ X | | | | | 4 < L ≤ 16 | ±0.3 |
| MARK | DESCRIPTION | DATE | REVISED | APPROVED | 16 < L ≤ 63 | ±0.4 |
| | | | | | L > 63 | ±0.5 |
| REVISIONS | | | | | UNSPECIFIED TOLERANCES | |

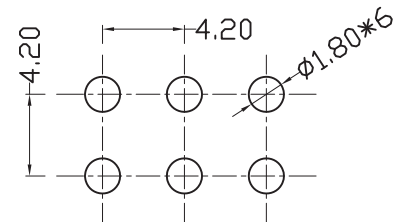
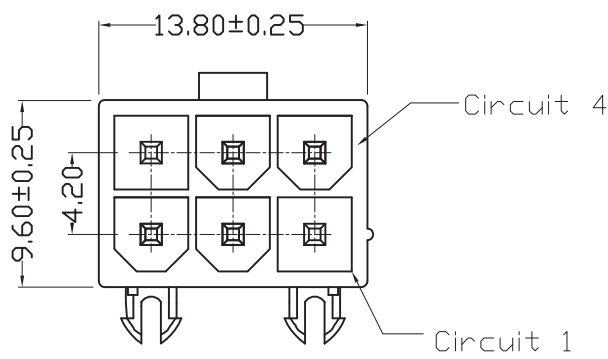
| | | | | | | |
|------|--|------|--|------------|-----------------------------------|----------|
| DSND | | DATE | | SCALE: N/A | MODEL TYPE: X9357WV-2*03A-XXXX | |
| DWN | | DATE | | VIEW: | PART NO.: | |
| CHKD | | DATE | | UNIT: mm | 4.20 mm Crimp Style Connectors | |
| APPD | | DATE | | SIZE: A4 | DWG NO.: | |
| | | | | WEIGHT | SHEET | REVISION |
| | | | | 1.0g | 1/1 | A0 |

XKB INDUSTRIAL PRECISION CO., LIMITED

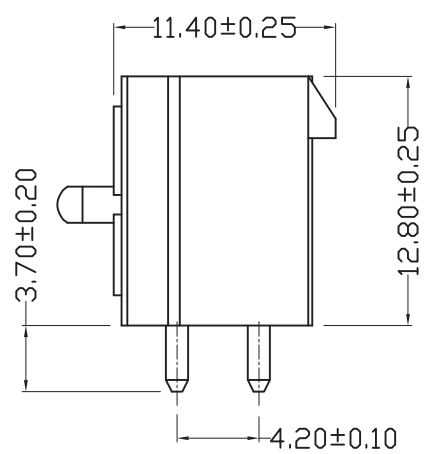
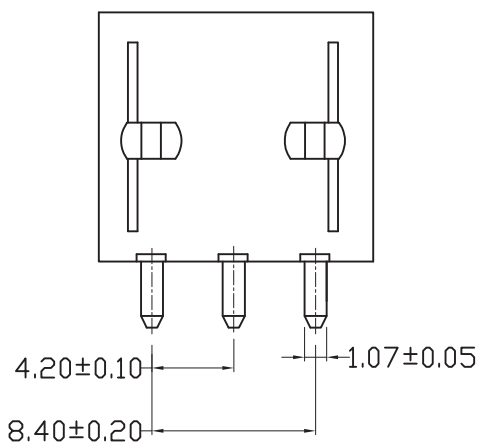
1 2 3 4 5 6 7 8

A
B
C
D
E
F

A
B
C
D
E
F



RECOMMEND P.C.B LAYOUT
TOP VIEW



- Specifications(规格):
- Voltage rating(额定电压): 600V AC / DC
 - Current rating(额定电流): 9A AC / DC
 - Withstanding voltage(耐压值): 1500V AC/minute
 - Temperature range(工作温度): -25°C~+85°C
 - Insulation resistance(绝缘电阻): ≥1000MΩ
 - Contact resistance(接触电阻): ≤10mΩ
 - After environmental testing(环境测试后): ≤20mΩ

- Solder Process Data (焊接过程参数):
- Duration at Max. Process Temperature(Seconds):30
 - Lead-free Process Capability: SMC & Wave Capable(TH only)
 - Max. Cycles at Max. Process Temperature: 3
 - Process Temperature max. °C: 265°C

X9357 W V X-2*03 AS- LP SN XX
① ② ③ ④ ⑤ ⑥ ⑦ ⑧ ⑨

- ①系列
- ②类别: W-WAFER类
- ③外观形态: V-180°
- ④成型方式: 空码-DIP
- ⑤PIN数: 双排-2*XX
- ⑥特殊码: AS-2方4圆, 带定位柱
- ⑦材质: LP-LCP 94V-0
- ⑧电镀类别: SN-镀亮锡(70U")
- ⑨颜色: 空码-本色或普通色

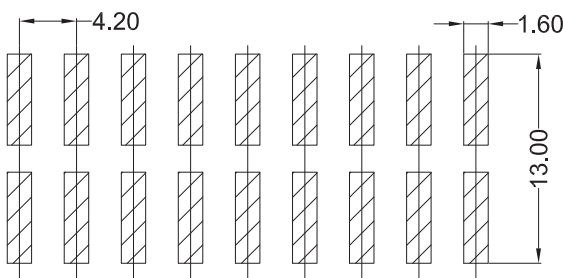
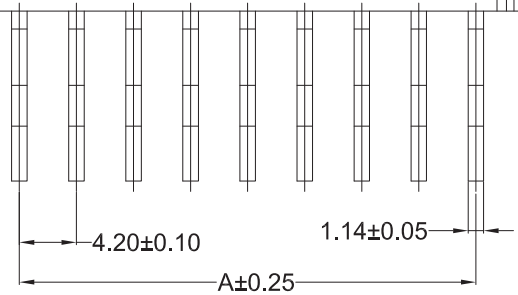
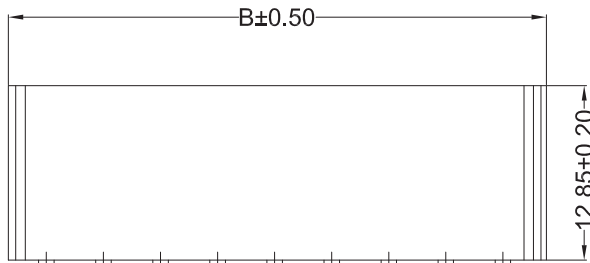
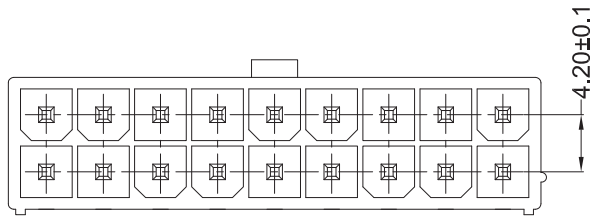
| | | | | |
|---------------------|--------------|---------------|-------------|-----------------------|
| X9357WV-2*03AS-LPSN | LCP UL 94V-0 | Brass | Tin-Plated | X9357H |
| PART NO | Material | Material(Pin) | Finish(Pin) | Suitable XKB Terminal |

For and on behalf of
XKB INDUSTRIAL PRECISION CO., LIMITED
香港星坤工業精密有限公司

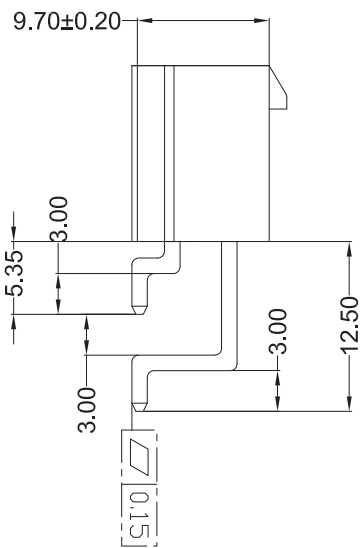
| | | | | | | |
|-----------|-------------|------|---------|----------|------------------------|------|
| △ X | | | | | ANGULAR | ±5° |
| △ X | | | | | L ≤ 4 | ±0.2 |
| △ X | | | | | 4 < L ≤ 16 | ±0.3 |
| MARK | DESCRIPTION | DATE | REVISED | APPROVED | 16 < L ≤ 63 | ±0.4 |
| | | | | | L > 63 | ±0.5 |
| REVISIONS | | | | | UNSPECIFIED TOLERANCES | |

| | | | |
|---------------------------------------|------|------------|------------------------------------|
| DSND | DATE | SCALE: N/A | MODEL TYPE: X9357WV-2*03AS-LPSN |
| DWN | DATE | VIEW: | PART NO.: |
| CHKD | DATE | UNIT: mm | 4.20 mm Crimp Style Connectors |
| APPD | DATE | SIZE: A4 | DWG NO.: |
| XKB INDUSTRIAL PRECISION CO., LIMITED | | | WEIGHT 1.0g |
| | | | SHEET 1/1 |
| | | | REVISION A0 |

1 2 3 4 5 6 7 8



P.C.B LAYOUT



■ Specifications(规格):

- Voltage rating(额定电压): 250V AC / DC
- Current rating(额定电流): 7A AC / DC
- Withstanding voltage(耐压值): 1500V AC/minute
- Temperature range(工作温度): -25°C~+85°C
- Insulation resistance(绝缘电阻): ≥1000MΩ
- Contact resistance(接触电阻): ≤10mΩ
- After environmental testing(环境测试后): ≤20mΩ

X9357 W R S-2*XX X-XX XX XX

- ① 系列
- ② 类别: W-WAFER类
- ③ 外观形态:
R-90°(带脚式)
- ④ 成型方式:
S-SMT
- ⑤ PIN数:
双排-2*XX
- ⑥ 空码-普通规格 A-带定位柱
- ⑦ 材质:
N0-PA66 94V-0
- ⑧ 电镀类别:
SN-镀亮锡(70u")
- ⑨ 颜色:
空码-本色

| Poles | Dimensions (mm) | |
|-------|-----------------|-------|
| | A | B |
| 1 | --- | 5.60 |
| 2 | 4.20 | 9.80 |
| 3 | 8.40 | 14.00 |
| 4 | 12.60 | 18.20 |
| 5 | 16.80 | 22.40 |
| 6 | 21.00 | 26.60 |
| 7 | 25.20 | 30.80 |
| 8 | 29.40 | 35.00 |
| 9 | 33.60 | 39.20 |
| 10 | 37.80 | 43.40 |
| 11 | 42.00 | 47.60 |
| 12 | 46.20 | 51.80 |

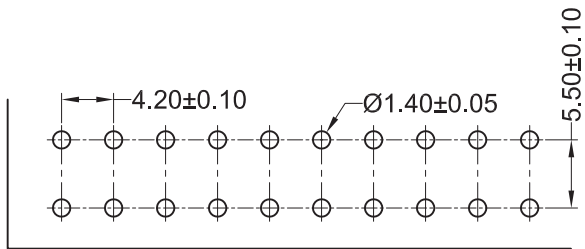
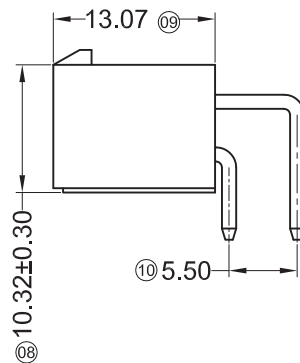
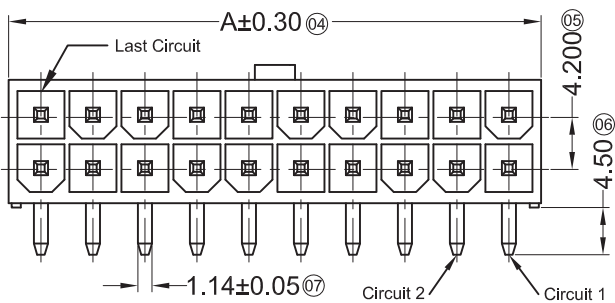
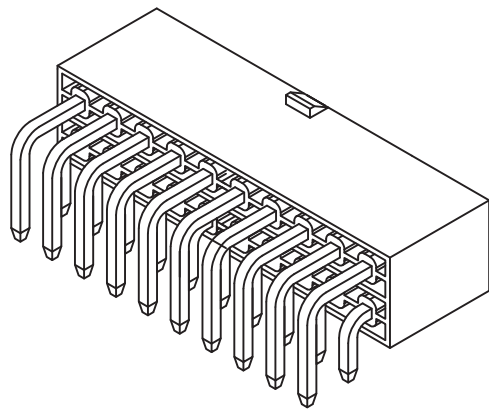
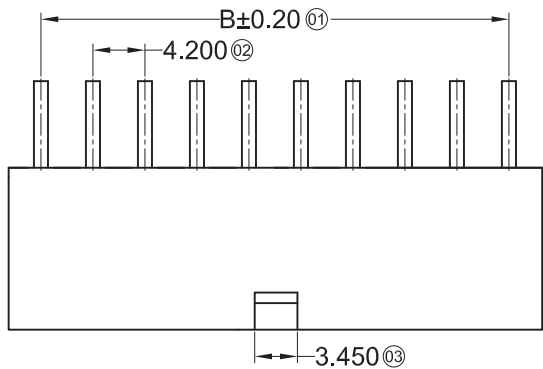
| | | | | |
|--------------------|-------------------|---------------|------------------|-----------------------|
| X9357WRS-2*XX-N0SN | Nylon 66 UL 94V-2 | Brass | Tin-Plated | X9357H or 9357T |
| Part No | Material | Material(Pin) | Finish(Terminal) | Suitable XKB Terminal |

For and on behalf of
XKB INDUSTRIAL PRECISION CO., LIMITED
香港星坤工業精密有限公司

| | | | | | | |
|------|-------------|------|---------|----------|------------------------|------|
| △ X | | | | | ANGULAR | ±5° |
| △ X | | | | | L ≤ 4 | ±0.2 |
| △ X | | | | | 4 < L ≤ 16 | ±0.3 |
| MARK | DESCRIPTION | DATE | REVISED | APPROVED | 16 < L ≤ 63 | ±0.4 |
| | | | | | L > 63 | ±0.5 |
| | | | | | UNSPECIFIED TOLERANCES | |

| | | | | | | | |
|------|--|------|--|------------|-----------------------------------|-------|----------|
| DSND | | DATE | | SCALE: N/A | MODEL TYPE: X9357WRS-2*XX-N0SN | | |
| DWN | | DATE | | VIEW: | PART NO.: | | |
| CHKD | | DATE | | UNIT: mm | 4.20 mm Crimp Style Connectors | | |
| APPD | | DATE | | SIZE: A4 | DWG NO.: | | |
| | | | | | WEIGHT | SHEET | REVISION |
| | | | | | 1.0g | 1/1 | A0 |

XKB INDUSTRIAL PRECISION CO., LIMITED



P.C.B. HOLE DIMENSION

Specifications :

- Voltage rating: 600V AC / DC
- Current rating: 9A AC / DC
- Withstanding voltage: 1500V AC/minute
- Temperature range: -25°C~+85°C
- Insulation resistance: ≥1000MΩ
- Contact resistance: ≤10mΩ
- After environmental testing: ≤20mΩ

X9357 W R X-2*XX Y-XX XX XX

01 02 03 04 05 06 07 08 09

- 01 Series No.
- 02 Category: W-wafer
- 03 Welding Board Angle: R-90°
- 04 Welding Way: Blank-DIP
- 05 Row No.-Pin No.: 2*XX-Double Row
- 06 Plug the Pin & Special NO.: Y-Without gluten
- 07 Material: N0-PA66 94V-0 N2-PA66 94V-2
- 08 Planting Category:
V**-All Gold-Plated *01-Gold Flash
SN-Bright tin plating 70u"
- 09 Color: Blank-Natural color

| Poles | Dimensions(mm) | | Poles | Dimensions(mm) | |
|-------|----------------|-------|-------|----------------|-------|
| | A | B | | A | B |
| 02 | 6.05 | --- | 14 | 31.25 | 25.20 |
| 04 | 10.25 | 4.20 | 16 | 35.45 | 29.40 |
| 06 | 14.45 | 8.40 | 18 | 39.65 | 33.60 |
| 08 | 18.65 | 12.60 | 20 | 43.86 | 37.80 |
| 10 | 22.85 | 16.80 | 22 | 48.05 | 42.00 |
| 12 | 27.05 | 21.00 | 24 | 52.25 | 46.20 |

| | | | | |
|---------------------|-------------------|---------------|-------------|-----------------------|
| X9357WR-2*XXY-N0V01 | Nylon 66 UL 94V-0 | Brass | Gold-Flash | X9357H |
| X9357WR-2*XXY-N0SN | Nylon 66 UL 94V-0 | Brass | Tin-Plated | |
| X9357WR-2*XXY-N2V01 | Nylon 66 UL 94V-2 | Brass | Gold-Flash | |
| X9357WR-2*XXY-N2SN | Nylon 66 UL 94V-2 | Brass | Tin-Plated | |
| PART NO | Material | Material(Pln) | Finish(Pln) | Suitable XKB Terminal |

For and on behalf of
XKB INDUSTRIAL PRECISION CO., LIMITED
香港星坤工業精密有限公司

| | |
|------|--|
| △ X | |
| △ X | |
| △ X | |
| MARK | |

DESCRIPTION DATE REVISED APPROVED

REVISIONS Authorized Signature(s)

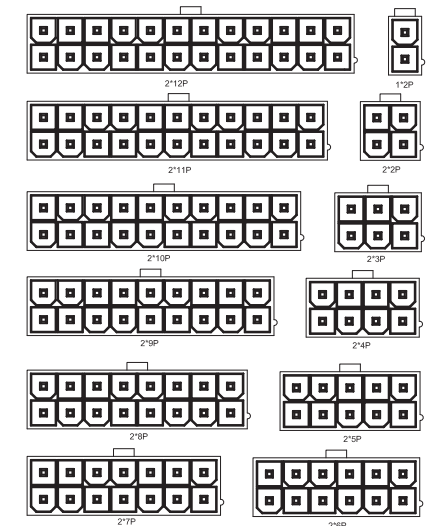
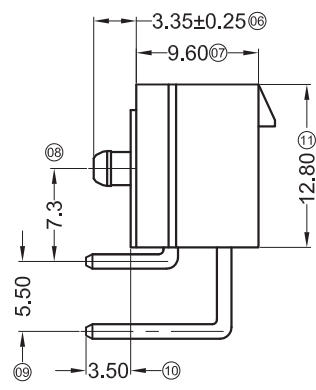
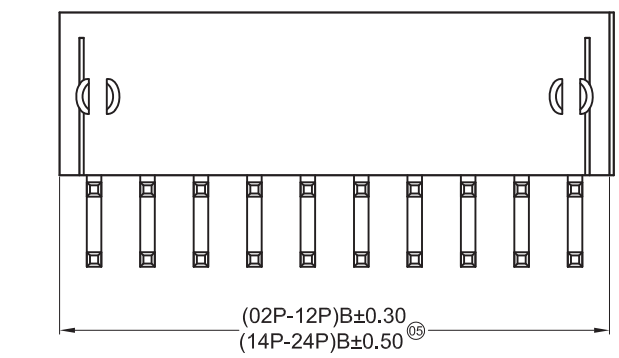
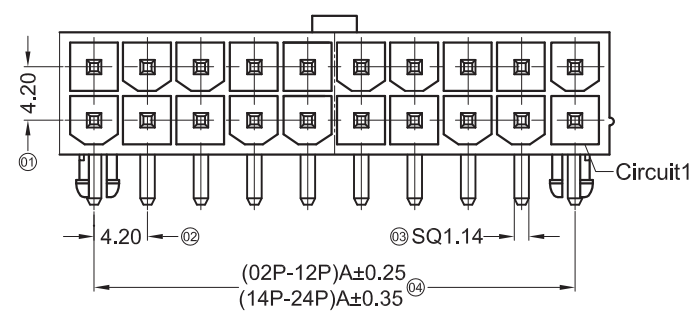
| | |
|-------------|------|
| ANGULAR | ±5° |
| L ≤ 4 | ±0.2 |
| 4 < L ≤ 16 | ±0.3 |
| 16 < L ≤ 63 | ±0.4 |
| L > 63 | ±0.5 |

UNSPECIFIED TOLERANCES

| | | | | | |
|------|--|------|--|------------|-----------------------------------|
| DSND | | DATE | | SCALE: N/A | MODEL TYPE: X9357WR-2*XXY-XXXX |
| DWN | | DATE | | VIEW: | PART NO.: |
| CHKD | | DATE | | UNIT: mm | 4.20 mm Crimp Style Connectors |
| APPD | | DATE | | SIZE: A4 | DWG NO.: |

XKB INDUSTRIAL PRECISION CO., LIMITED

| | | |
|--------|-------|----------|
| WEIGHT | SHEET | REVISION |
| 1.0g | 1/1 | A0 |

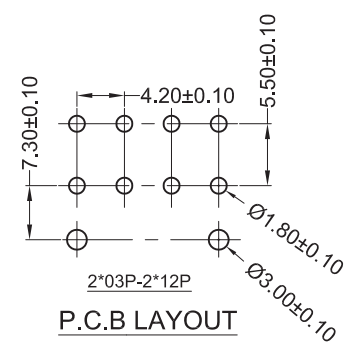
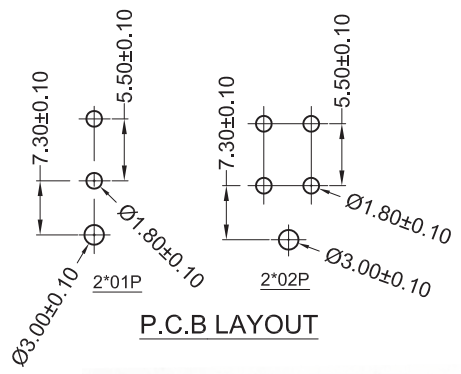


| Poles | Dimensions(mm) | |
|-------|----------------|-------|
| | A | B |
| 2*01 | --- | 5.40 |
| 2*02 | 4.20 | 9.60 |
| 2*03 | 8.40 | 13.80 |
| 2*04 | 12.60 | 18.00 |
| 2*05 | 16.80 | 22.20 |
| 2*06 | 21.00 | 26.40 |
| 2*07 | 25.20 | 30.60 |
| 2*08 | 29.40 | 34.80 |
| 2*09 | 33.60 | 39.00 |
| 2*10 | 37.80 | 43.20 |
| 2*11 | 42.00 | 47.40 |
| 2*12 | 46.20 | 51.60 |

Specifications :

- Voltage rating: 600V AC / DC
- Current rating: 9A AC / DC
- Withstanding voltage: 1500V AC/minute
- Temperature range: -25°C~+85°C
- Insulation resistance: ≥1000MΩ
- Contact resistance: ≤10mΩ
- After environmental testing: ≤20mΩ

- X9357 W R X-2*XX SX-XX SN XX
- ① Series No.
 - ② Category: W-wafer
 - ③ Welding Board Angle: R-90°
 - ④ Welding Way: Blank-DIP ;
 - ⑤ Row No.-Pin No.: 2*XX-Double row
 - ⑥ Special NO.
 - S-With positioning column F-halogen free
 - ⑦ Material: N0-PA66 94V-0 ; N2-PA66 94V-2 ; LP-LCP 94V-0
 - ⑧ Planting Category: SN-Bright tin plating 70u"
 - ⑨ Color: BK-BLACK BL-BLUE RE-RED

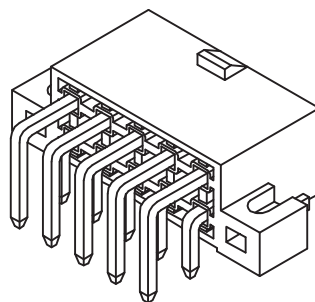
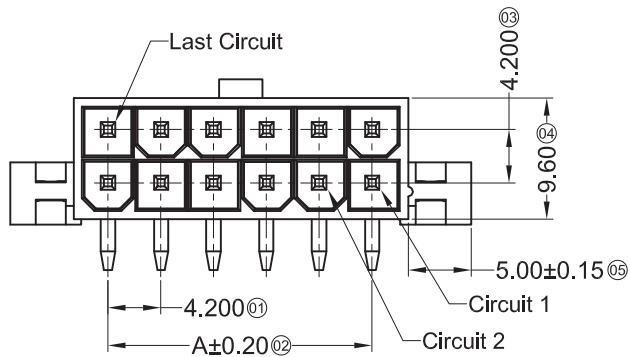


| | | | | |
|-----------------------|--------------------------------|---------------|-------------|-----------------------|
| X9357WR-2*XXS-LPSN | LCP UL 94V-0 | Brass | Tin-Plated | X9357H |
| X9357WR-2*XXSF-N0SNBK | Nylon 66 UL 94V-0 Halogen Free | | | |
| X9357WR-2*XXS-N0SNXX | Nylon 66 UL 94V-0 | | | |
| X9357WR-2*XXS-N2SNXX | Nylon 66 UL 94V-2 | | | |
| PART NO | Material | Material(Pin) | Finish(Pin) | Suitable XKB Terminal |

For and on behalf of
XKB INDUSTRIAL PRECISION CO., LIMITED
 香港星坤工業精密有限公司

| MARK | DESCRIPTION | DATE | REVISED | APPROVED | UNSPECIFIED TOLERANCES |
|------|-------------|------|---------|----------|------------------------|
| △ X | | | | | ANGULAR ±5° |
| △ X | | | | | L ≤ 4 ±0.2 |
| △ X | | | | | 4 < L ≤ 16 ±0.3 |
| | | | | | 16 < L ≤ 63 ±0.4 |
| | | | | | L > 63 ±0.5 |

| | | | |
|---------------------------------------|------|------------|---|
| DSND | DATE | SCALE: N/A | MODEL TYPE: X9357WR-2*XXS-XXSN |
| DWN | DATE | VIEW: | PART NO.: 4.20mm Crimp Style Connectors |
| CHKD | DATE | UNIT: mm | DWG NO.: |
| APPD | DATE | SIZE: A4 | |
| XKB INDUSTRIAL PRECISION CO., LIMITED | | | WEIGHT 1.0g |
| | | | SHEET 1/1 |
| | | | REVISION A0 |



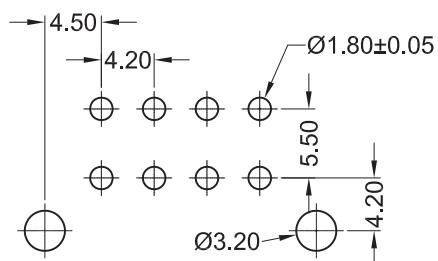
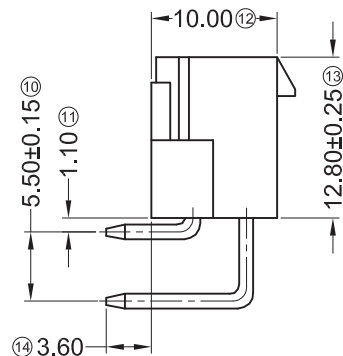
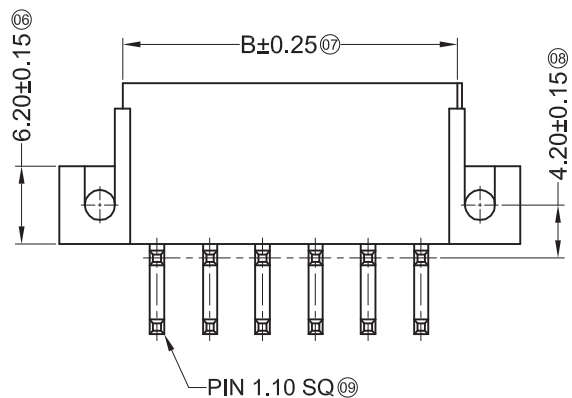
Specifications :

- Voltage rating: 600V AC / DC
- Current rating: 9A AC / DC
- Withstanding voltage: 1500V AC/minute
- Temperature range: -25°C~+85°C
- Insulation resistance: ≥1000MΩ
- Contact resistance: ≤10mΩ
- After environmental testing: ≤20mΩ

X9357 W R X-2*XX ES-XX SN XX

① ② ③ ④ ⑤ ⑥ ⑦ ⑧ ⑨

- ① Series No.
- ② Category: W-wafer
- ③ Welding Board Angle: R-Right Angle 90°
- ④ Welding Way: Blank-DIP
- ⑤ Row No.-Pin No.: 2*XX-2*01P~2*12P
- ⑥ Plug the Pin & Special No.:
ES-With Ears and Screw Holes
- ⑦ Material: N0-PA66 94V-0 ; N2-PA66 94V-2
- ⑧ Plating Category: SN-Bright tin plating
- ⑨ Color: Blank-Natural Color



Recommended P.C.B Layout
General Tolerance±0.10

| Poles | Dimensions(mm) | | Poles | Dimensions(mm) | |
|-------|----------------|-------|-------|----------------|-------|
| | A | B | | A | B |
| 2*01 | --- | 5.40 | 2*07 | 25.20 | 30.60 |
| 2*02 | 4.20 | 9.60 | 2*08 | 29.40 | 34.80 |
| 2*03 | 8.40 | 13.80 | 2*09 | 33.60 | 39.00 |
| 2*04 | 12.60 | 18.00 | 2*10 | 37.80 | 43.20 |
| 2*05 | 16.80 | 22.20 | 2*11 | 42.00 | 47.40 |
| 2*06 | 21.00 | 26.40 | 2*12 | 46.20 | 51.60 |

| | | | | |
|---------------------|-------------------|---------------|-------------|-----------------------|
| X9357WR-2*XXES-N0SN | Nylon 66 UL 94V-0 | Brass | Tin-Plated | X9357H |
| X9357WR-2*XXES-N2SN | Nylon 66 UL 94V-2 | Brass | Tin-Plated | |
| PART N0 | Material | Material(Pin) | Finish(Pin) | Suitable XKB Terminal |

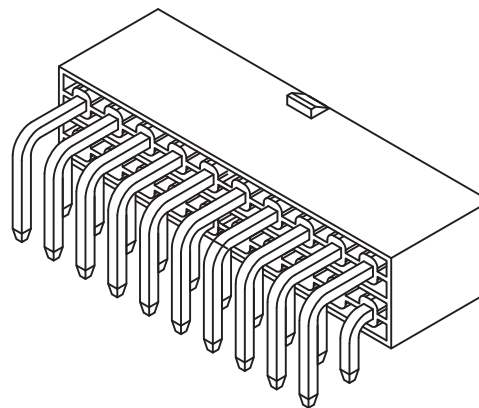
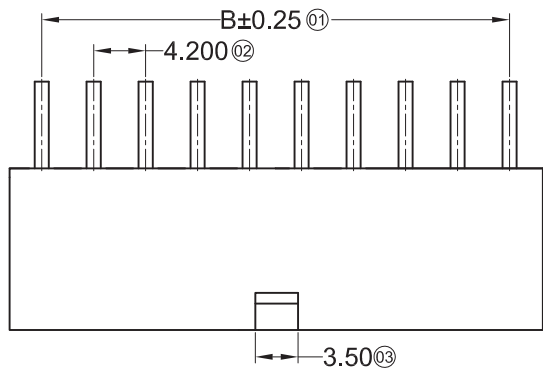
For and on behalf of
XKB INDUSTRIAL PRECISION CO., LIMITED
香港星坤工業精密有限公司

| MARK | DESCRIPTION | DATE | REVISED | APPROVED | UNSPECIFIED TOLERANCES |
|------|-------------|------|---------|----------|------------------------|
| △ X | | | | | ANGULAR ±5° |
| △ X | | | | | L ≤ 4 ±0.2 |
| △ X | | | | | 4 < L ≤ 16 ±0.3 |
| | | | | | 16 < L ≤ 63 ±0.4 |
| | | | | | L > 63 ±0.5 |

| | | | | |
|------|--|------|------------|------------------------------------|
| DSND | | DATE | SCALE: N/A | MODEL TYPE: X9357WR-2*XXES-XXSN |
| DWN | | DATE | VIEW: | PART NO.: |
| CHKD | | DATE | UNIT: mm | 4.20 mm Crimp Style Connectors |
| APPD | | DATE | SIZE: A4 | DWG NO.: |
| | | | | WEIGHT 1.0g |
| | | | | SHEET 1/1 |
| | | | | REVISION A0 |

REVISIONS
Authorized Signature(s)

XKB INDUSTRIAL PRECISION CO., LIMITED



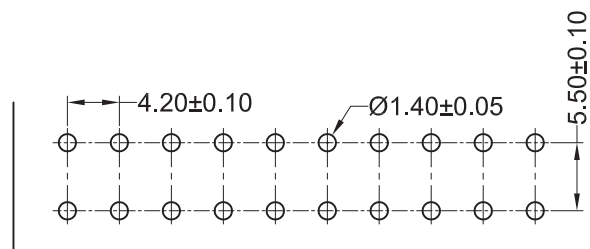
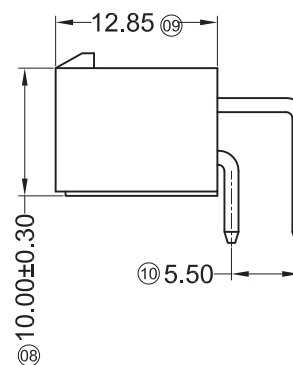
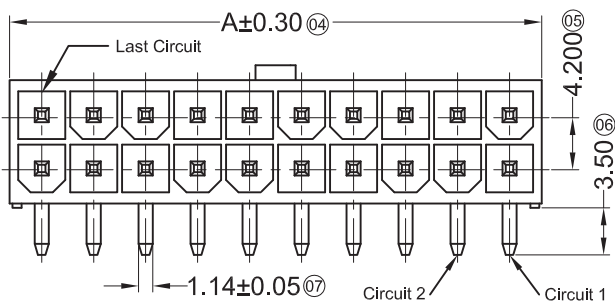
■ Specifications :

- Voltage rating: 600V AC / DC
- Current rating: 9A AC / DC
- Withstanding voltage: 1500V AC/minute
- Temperature range: -25°C~+85°C
- Insulation resistance: ≥1000MΩ
- Contact resistance: ≤10mΩ
- After environmental testing: ≤20mΩ

X9357 W R X-2*XX DF-XX XX XX

① ② ③ ④ ⑤ ⑥ ⑦ ⑧ ⑨

- ① Series No.
- ② Category: W-wafer
- ③ Welding Board Angle: R-90°
- ④ Welding Way: Blank-DIP
- ⑤ Row No.-Pin No.: 2*XX-Double Row
- ⑥ Plug the Pin & Special NO.:
D-Without gluten ; DIP=3,50mm ,F-HF
- ⑦ Material: N0-PA66 94V-0 N2-PA66 94V-2
- ⑧ Planting Category:
V**-All Gold-Plated *01-Gold Flash
SN-Bright tin plating 70u"
- ⑨ Color: Blank-Natural color ; BK-Black



P.C.B. HOLE DIMENSION

| Poles | Dimensions(mm) | | Poles | Dimensions(mm) | |
|-------|----------------|-------|-------|----------------|-------|
| | A | B | | A | B |
| 02 | 5.40 | --- | 14 | 25.20 | 30.60 |
| 04 | 9.60 | 4.20 | 16 | 29.40 | 34.80 |
| 06 | 13.80 | 8.40 | 18 | 33.60 | 39.00 |
| 08 | 18.00 | 12.60 | 20 | 37.80 | 43.20 |
| 10 | 22.20 | 16.80 | 22 | 42.00 | 47.40 |
| 12 | 26.40 | 21.00 | 24 | 46.20 | 51.60 |

| | | | | |
|------------------------|-------------------|---------------|-------------|-----------------------|
| X9357WR-2*XXD-N0V01 | Nylon 66 UL 94V-0 | Brass | Gold-Flash | X9357H |
| X9357WR-2*XXD-N0SN | Nylon 66 UL 94V-0 | Brass | Tin-Plated | |
| X9357WR-2*XXD-N2V01 | Nylon 66 UL 94V-2 | Brass | Gold-Flash | |
| X9357WR-2*XXDX-N2SNXXX | Nylon 66 UL 94V-2 | Brass | Tin-Plated | |
| PART NO | Material | Material(Pln) | Finish(Pln) | Suitable XKB Terminal |

For and on behalf of
XKB INDUSTRIAL PRECISION CO., LIMITED
香港星坤工業精密有限公司

| MARK | DESCRIPTION | DATE | REVISED | APPROVED | UNSPECIFIED TOLERANCES |
|------|-------------|------|---------|----------|------------------------|
| △ X | | | | | ANGULAR ±5° |
| △ X | | | | | L ≤ 4 ±0.2 |
| △ X | | | | | 4 < L ≤ 16 ±0.3 |
| | | | | | 16 < L ≤ 63 ±0.4 |
| | | | | | L > 63 ±0.5 |

| | | | | | |
|------|--|------|--|------------|--------------------------------------|
| DSND | | DATE | | SCALE: N/A | MODEL TYPE: X9357WR-2*XXD-XXXXXXX |
| DWN | | DATE | | VIEW: | PART NO.: |
| CHKD | | DATE | | UNIT: mm | 4.20 mm Crimp Style Connectors |
| APPD | | DATE | | SIZE: A4 | DWG NO.: |
| | | | | | WEIGHT 1.0g |
| | | | | | SHEET 1/1 |
| | | | | | REVISION A0 |

REVISIONS
 Authorized Signature(s)

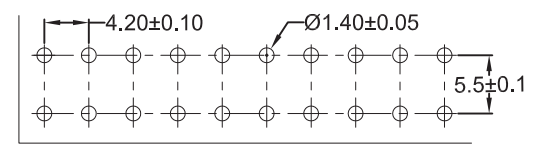
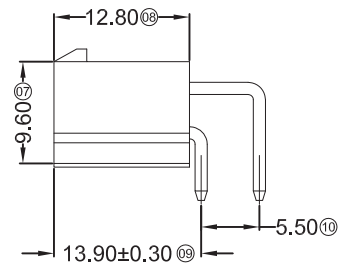
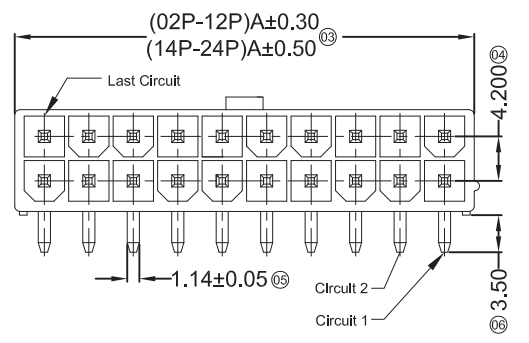
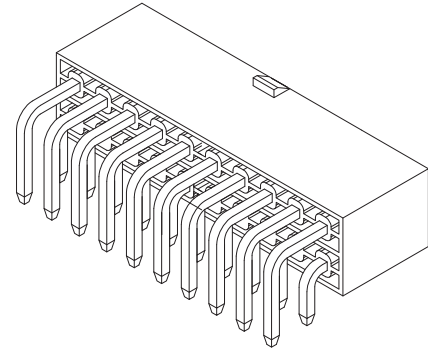
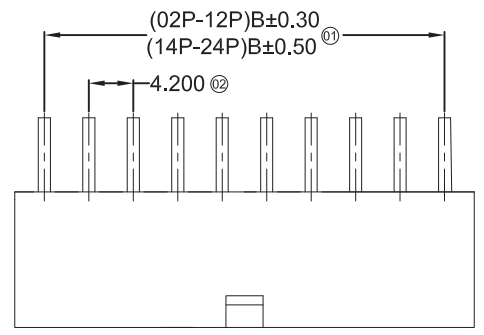
XKB INDUSTRIAL PRECISION CO., LIMITED

X9357 WR X - 2*XX X - XX XX XX
 ①②③④⑤⑥⑦⑧⑨

■ Specifications :

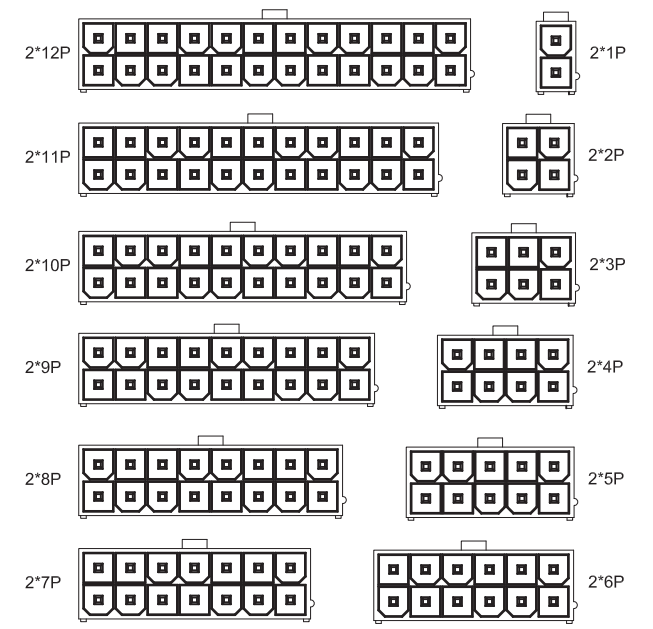
- Voltage rating: 600V AC / DC
- Current rating: 9A AC / DC
- Withstanding voltage: 1500V AC/minute
- Temperature range: -25°C~+85°C
- Insulation resistance: ≥1000MΩ
- Contact resistance: ≤10mΩ
- After environmental testing: ≤20mΩ

- ① Series No.
- ② Category: W-wafer
- ③ Welding Board Angle: R-90°
- ④ Welding Way: Blank-DIP
- ⑤ Row No.-Pin No.: 2*XX-Double
- ⑥ Plug the Pin & Special NO. : F-HF
- ⑦ Material:
N0-PA66 94V-0 ; N2-PA66 94V-2
LP-LCP 94V-0 ; 6T-PA6T 94V-0 ; 9T-PA9T 94V-0
- ⑧ Planting Category:
V:All Gold-Plated *01-Gold Flash ;
SN-Bright tin plating 70u"
- ⑨ Color:
Blank-Natural Color BK-Black



P.C.B. HOLE DIMENSION

| Poles | Dimensions(mm) | | Poles | Dimensions(mm) | |
|-------|----------------|-------|-------|----------------|-------|
| | A | B | | A | B |
| 2*01 | 5.60 | — | 2*07 | 30.80 | 25.20 |
| 2*02 | 9.80 | 4.20 | 2*08 | 35.00 | 29.40 |
| 2*03 | 14.00 | 8.40 | 2*09 | 39.20 | 33.60 |
| 2*04 | 18.20 | 12.60 | 2*10 | 43.40 | 37.80 |
| 2*05 | 22.40 | 16.80 | 2*11 | 47.60 | 42.00 |
| 2*06 | 26.60 | 21.00 | 2*12 | 51.80 | 46.20 |



| | | | | | |
|-----------------------|-------------------|---------------|-------------|--------------|----------|
| X9357WR-2*XXX-N0V01XX | Nylon 66 UL 94V-0 | Brass | Gold-Flash | X9357H | 1,000Pcs |
| X9357WR-2*XXX-N0SNXX | Nylon 66 UL 94V-0 | Brass | Tin-Plated | | |
| X9357WR-2*XXX-N2V01XX | Nylon 66 UL 94V-2 | Brass | Gold-Flash | | |
| X9357WR-2*XXX-N2SNXX | Nylon 66 UL 94V-2 | Brass | Tin-Plated | | |
| PART NO | Material | Material(Pin) | Finish(Pin) | Suitable XKB | Qty/Bag |

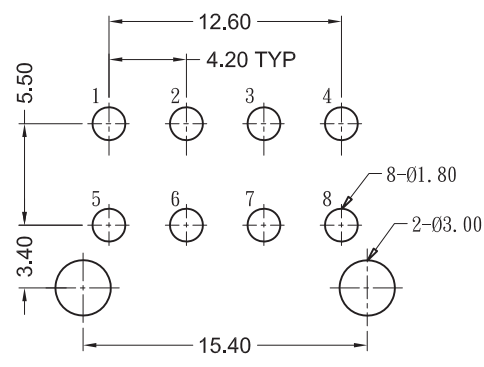
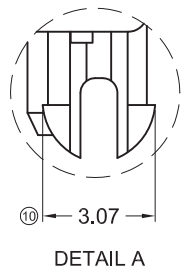
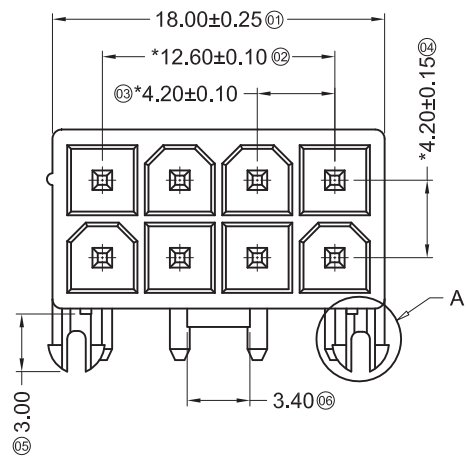
For and on behalf of
XKB INDUSTRIAL PRECISION CO., LIMITED
 香港星坤工業精密有限公司

| MARK | DESCRIPTION | DATE | REVISED | APPROVED | UNSPECIFIED TOLERANCES |
|------|-------------|------|---------|----------|------------------------|
| △ X | | | | | ANGULAR ±5° |
| △ X | | | | | L ≤ 4 ±0.2 |
| △ X | | | | | 4 < L ≤ 16 ±0.3 |
| | | | | | 16 < L ≤ 63 ±0.4 |
| | | | | | L > 63 ±0.5 |

| | | | |
|------|------|------------|--------------------------------|
| DSND | DATE | SCALE: N/A | MODEL TYPE: X9357WR-2*XXX-XXXX |
| DWN | DATE | VIEW: | PART NO.: |
| CHKD | DATE | UNIT: mm | 4.20mm Crimp Style Connectors |
| APPD | DATE | SIZE: A4 | DWG NO.: |

| REVISIONS | Authorized Signature(s) | WEIGHT | SHEET | REVISION |
|-----------|-------------------------|--------|-------|----------|
| | | 1.0g | 1/1 | A0 |

XKB INDUSTRIAL PRECISION CO., LIMITED



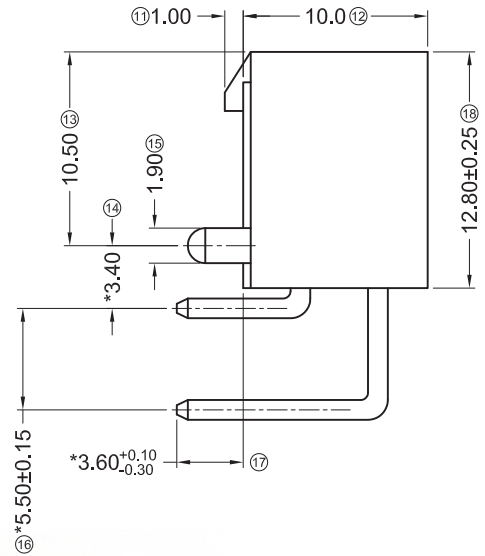
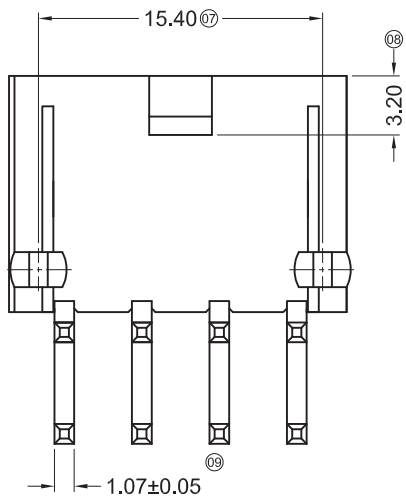
RECOMMEND P. C. B LAYOUT
TOLERANCE: ±0.05

■ Specifications(规格):

- Voltage rating(额定电压): 600V AC / DC
- Current rating(额定电流): 9A AC / DC
- Withstanding voltage(耐压值): 1500V AC/minute
- Temperature range(工作温度): -25°C~+85°C
- Insulation resistance(绝缘电阻): ≥1000MΩ
- Contact resistance(接触电阻): ≤10mΩ
- After environmental testing(环境测试后): ≤20mΩ
- Mark "*" Indicate Dimensions Need To Controlled In Emphasis(带 "*" 标记表示尺寸需要重点控制)

X9357 W R X-2*04 SE2 -XX XX XX
① ② ③ ④ ⑤ ⑥ ⑦ ⑧ ⑨

- ① 系列
- ② 类别: W-WAFER类
- ③ 外观形态: R- Right Angle 90°
- ④ 成型方式: S-SMT
- ⑤ PIN数: 2*04-2*04P
- ⑥ 特殊码: SE2-连孔带柱, 反扣
- ⑦ 材质: N0-PA66 94V-0 ; LP-LCP 94V-0
- ⑧ 电镀类别: SW-镀雾锡; SN-镀亮锡
- ⑨ 颜色: 空码-本色



| | | | | |
|----------------------|---------------|---------------|-------------------|--------------|
| X9357WR-2*04SE2-LPSN | LCP UL 94V-0 | Brass | Tin Plating | X9357H |
| X9357WR-2*04SE2-N0SW | PA66 UL 94V-0 | | Matte tin Plating | |
| PART NO | Material | Material(Pin) | Finish(Pin) | Suitable XKB |

For and on behalf of
XKB INDUSTRIAL PRECISION CO., LIMITED
香港星坤工業精密有限公司

| | | | | | | |
|------|-------------|------|---------|----------|------------------------|------|
| △ X | | | | | ANGULAR | ±5° |
| △ X | | | | | L ≤ 4 | ±0.2 |
| △ X | | | | | 4 < L ≤ 16 | ±0.3 |
| MARK | DESCRIPTION | DATE | REVISED | APPROVED | 16 < L ≤ 63 | ±0.4 |
| | | | | | L > 63 | ±0.5 |
| | | | | | UNSPECIFIED TOLERANCES | |

| | | | | | |
|------|--|------|--|------------|-------------------------------------|
| DSND | | DATE | | SCALE: N/A | MODEL TYPE: X9357WR-2*04SE2-XXXX |
| DWN | | DATE | | VIEW: | PART NO.: |
| CHKD | | DATE | | UNIT: mm | 4.20 mm Crimp Style Connectors |
| APPD | | DATE | | SIZE: A4 | DWG NO.: |
| | | | | | WEIGHT |
| | | | | | 1.0g |
| | | | | | SHEET |
| | | | | | 1/1 |
| | | | | | REVISION |
| | | | | | A0 |

XKB INDUSTRIAL PRECISION CO., LIMITED

Specifications :

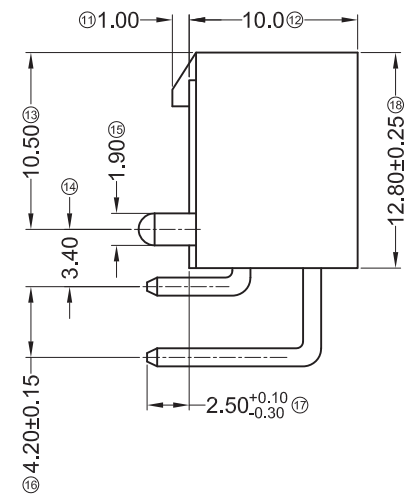
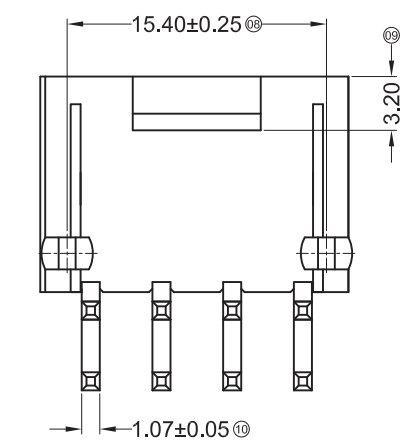
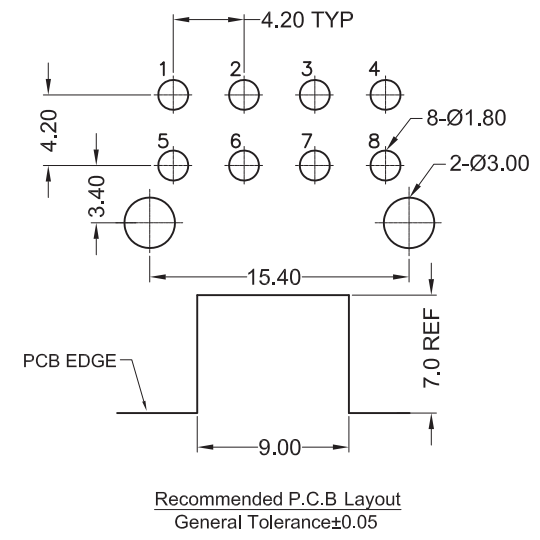
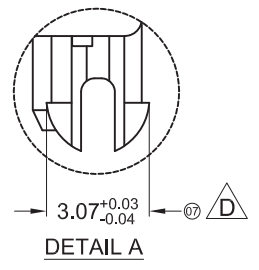
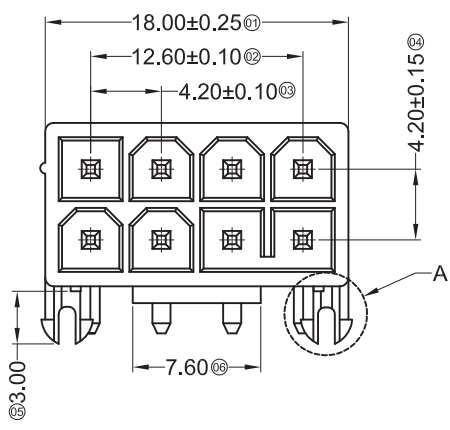
- Voltage rating: 600V AC / DC
- Current rating: 9A AC / DC
- Withstanding voltage: 1500V AC/minute
- Temperature range: -25°C~+85°C
- Insulation resistance: ≥1000MΩ
- Contact resistance: ≤10mΩ
- After environmental testing: ≤20mΩ

X9357 W R X-2*04 FH-LP SW XX

① ② ③ ④ ⑤ ⑥ ⑦ ⑧ ⑨

- ① Series No.
- ② Category: W-wafer
- ③ Welding Board Angle: R- Right Angle 90°
- ④ Welding Way: Blank-DIP
- ⑤ Row No.-Pin No.: 2*04-2*04P
- ⑥ Plug the Pin & Special No.:
FH-Mounting peg with linked holes,
With Post, Reversrd Lock,
- ⑦ Material: LP-LCP 94V-0
- ⑧ Planting Category: SW-Matte tin plating
- ⑨ Color: Blank-Natural Color Black

| | | | | |
|---------------------|--------------------------------|---------------|-----------------|-----------------------|
| X9357WR-2*04FH-LPSW | LCP UL 94V-0 (halogen free) | Brass | MatteTin-Plated | X9357H |
| PART NO | Material | Material(Pin) | Finish(Pin) | Suitable XKB Terminal |



For and on behalf of
XKB INDUSTRIAL PRECISION CO., LIMITED
香港星坤工業精密有限公司

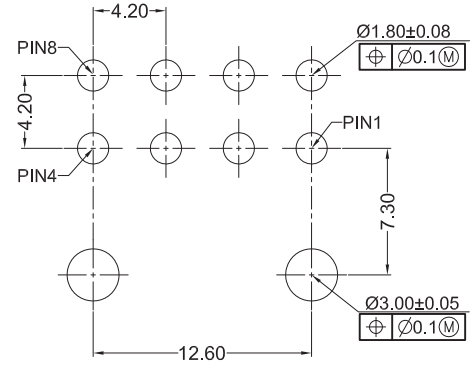
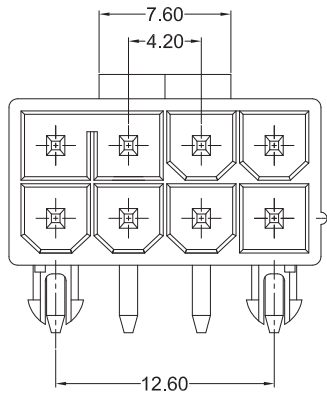
| | | | | | | | | | | | |
|------|-------------------------|------|---------|----------|------------------------|---------------------------------------|------|------------|------------------------------------|-------|----------|
| △ X | DESCRIPTION | DATE | REVISED | APPROVED | UNSPECIFIED TOLERANCES | DSND | DATE | SCALE: N/A | MODEL TYPE: X9357WR-2*04FH-LPSW | | |
| △ X | | | | | | DWN | DATE | VIEW: | PART NO.: | | |
| △ X | | | | | | CHKD | DATE | UNIT: mm | 4.20 mm Crimp Style Connectors | | |
| MARK | | | | | | APPD | DATE | SIZE: A4 | DWG NO.: | | |
| | REVISIONS | | | | | XKB INDUSTRIAL PRECISION CO., LIMITED | | | WEIGHT | SHEET | REVISION |
| | Authorized Signature(s) | | | | | | | | 1.0g | 1/1 | A0 |

| | |
|-------------|------|
| ANGULAR | ±5° |
| L ≤ 4 | ±0.2 |
| 4 < L ≤ 16 | ±0.3 |
| 16 < L ≤ 63 | ±0.4 |
| L > 63 | ±0.5 |

1 2 3 4 5 6 7 8

A
B
C
D
E
F

A
B
C
D
E
F

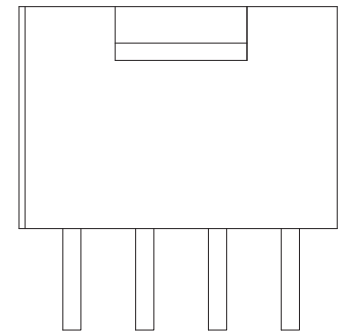
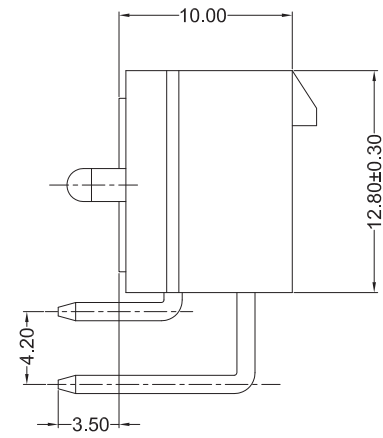
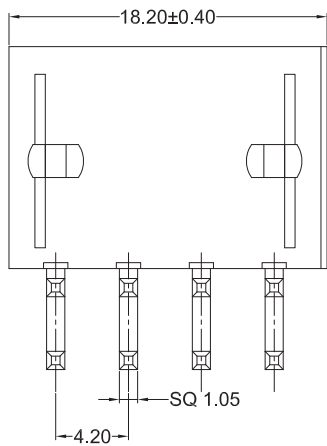


RECOMMENDED P.C.B. HOLE LAYOUT
(TOLERANCE:±0.05)

- Specifications(规格):
- Voltage rating(额定电压): 600V AC / DC
 - Current rating(额定电流): 9A AC / DC
 - Withstanding voltage(耐压值): 1500V AC/minute
 - Temperature range(工作温度): -25°C~+85°C
 - Insulation resistance(绝缘电阻): ≥1000MΩ
 - Contact resistance(接触电阻): ≤10mΩ
 - After environmental testing(环境测试后): ≤20mΩ

X9357 W R X-2*04 EH-XX SX XX
① ② ③ ④ ⑤ ⑥ ⑦ ⑧ ⑨

- ① 系列
- ② 类别: W-WAFER类
- ③ 外观形态:
V-180° R-90°(带脚式)
- ④ 成型方式:
空码-DIP S-SMT W-公母连体
- ⑤ PIN数:
单排-XX 双排-2*XX
- ⑥ 特殊码:
EH-连孔带定位柱
- ⑦ 材质:
N2-PA66 LP-LCP 94V-2 94V-0
- ⑧ 电镀类别:
SW-镀雾锡 SN-镀亮锡(70U")
- ⑨ 颜色:
空码-本色或普通色



| | | | | |
|---------------------|-------------------|---------------|-----------------|-----------------------|
| X9357WR-2*04EH-LPSN | LCP UL 94V-0 | Brass | Tin-Plated | X9357H |
| X9357WR-2*04EH-N2SW | Nylon 66 UL 94V-2 | Brass | Tin Plating Fog | X9357H |
| PART NO | Material | Material(Pin) | Flnsh(PIn) | Suitable XKB Terminal |

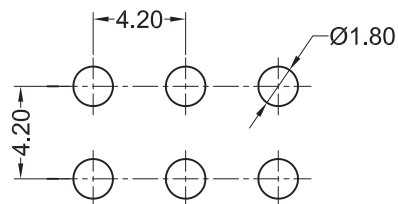
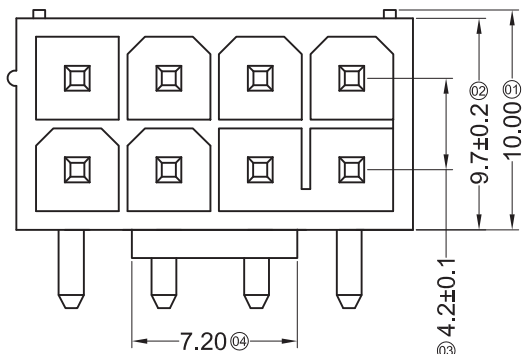
For and on behalf of
XKB INDUSTRIAL PRECISION CO., LIMITED
香港星坤工業精密有限公司

| | | | | | | |
|------|-------------|------|---------|----------|------------------------|------|
| △ X | | | | | ANGULAR | ±5° |
| △ X | | | | | L ≤ 4 | ±0.2 |
| △ X | | | | | 4 < L ≤ 16 | ±0.3 |
| MARK | DESCRIPTION | DATE | REVISED | APPROVED | 16 < L ≤ 63 | ±0.4 |
| | | | | | L > 63 | ±0.5 |
| | | | | | UNSPECIFIED TOLERANCES | |

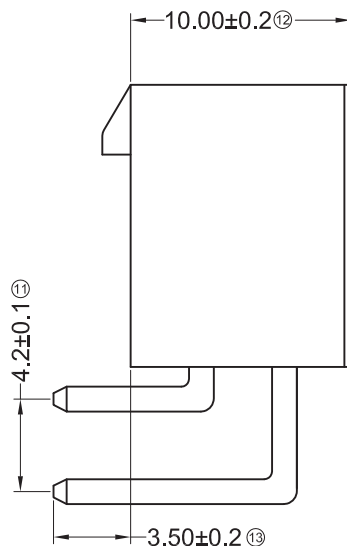
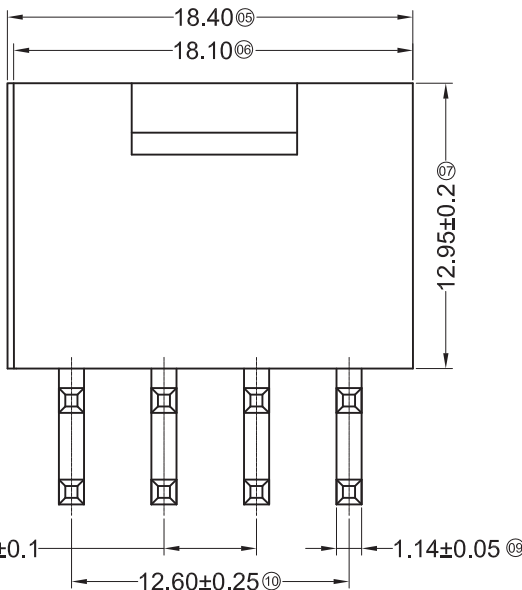
| | | | | | | |
|------|--|------|--|------------|------------------------------------|----------|
| DSND | | DATE | | SCALE: N/A | MODEL TYPE: X9357WR-2*04EH-XXXX | |
| DWN | | DATE | | VIEW: | PART NO.: | |
| CHKD | | DATE | | UNIT: mm | 4.20 mm Crimp Style Connectors | |
| APPD | | DATE | | SIZE: A4 | DWG NO.: | |
| | | | | WEIGHT | SHEET | REVISION |
| | | | | 1.0g | 1/1 | A0 |

XKB INDUSTRIAL PRECISION CO., LIMITED

1 2 3 4 5 6 7 8



P.C.B LAYOUT



■ Specifications :

- Voltage rating: 600V AC / DC
- Current rating: 9A AC / DC
- Withstanding voltage: 1500V AC/minute
- Temperature range: -25°C~+85°C
- Insulation resistance: ≥1000MΩ
- Contact resistance: ≤10mΩ
- After environmental testing: ≤20mΩ

X9357 W R X-2*04 CP- N2 SN XX

① ② ③ ④ ⑤ ⑥ ⑦ ⑧ ⑨

- ① Series No.
- ② Category: W-Wafer
- ③ Welding Board Angle: R-90°
- ④ Welding Way: Blank-DIP
- ⑤ Row No.-Pin No.: 2*04-Double Row
- ⑥ Plug the Pin & Special NO.
CP-the 7P-8P Connected Without the Positioning Column
- ⑦ Material: N2-PA66 94V-2
- ⑧ Planting Category:
SN-Bright tin plating 70u"
SW-Fog Tin plating
- ⑨ Color: Blank-natural color

| | | | | |
|---------------------|-------------------|---------------|-------------|-----------------------|
| X9357WR-2*04CP-N2SN | Nylon 66 UL 94V-2 | Brass | Tin-Plated | X9357H |
| PART NO | Material | Material(Pin) | Finish(Pin) | Suitable XKB Terminal |

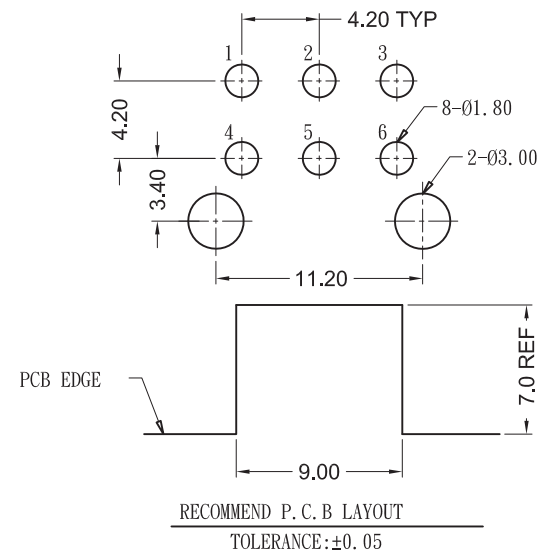
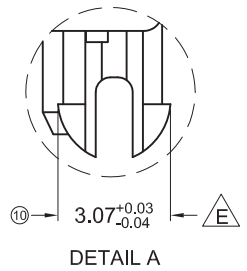
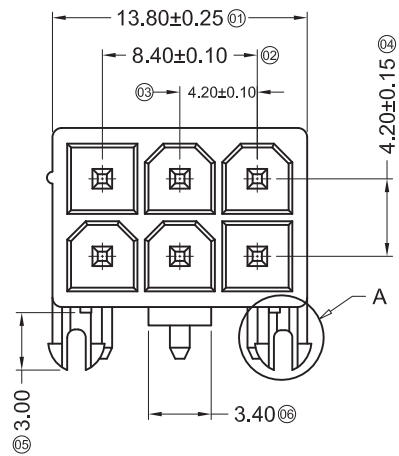
For and on behalf of
XKB INDUSTRIAL PRECISION CO., LIMITED
香港星坤工業精密有限公司

| | | | | | | |
|------|-------------|------|---------|----------|------------------------|------|
| △ X | | | | | ANGULAR | ±5° |
| △ X | | | | | L ≤ 4 | ±0.2 |
| △ X | | | | | 4 < L ≤ 16 | ±0.3 |
| MARK | DESCRIPTION | DATE | REVISED | APPROVED | 16 < L ≤ 63 | ±0.4 |
| | | | | | L > 63 | ±0.5 |
| | | | | | UNSPECIFIED TOLERANCES | |

| | | | | | | |
|------|--|------|--|------------|------------------------------------|----------|
| DSND | | DATE | | SCALE: N/A | MODEL TYPE: x9357WR-2*04CP-N2SN | |
| DWN | | DATE | | VIEW: | PART NO.: | |
| CHKD | | DATE | | UNIT: mm | 4.20 mm Crimp Style Connectors | |
| APPD | | DATE | | SIZE: A4 | DWG NO.: | |
| | | | | WEIGHT | SHEET | REVISION |
| | | | | 1.0g | 1/1 | A0 |

XKB INDUSTRIAL PRECISION CO., LIMITED

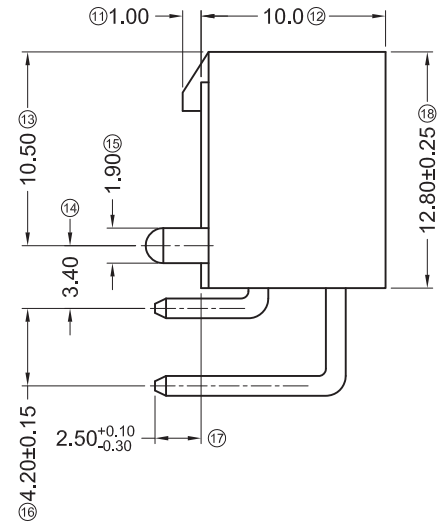
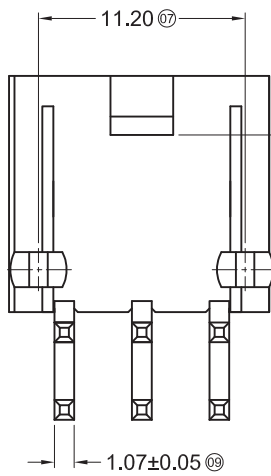
Authorized Signature(s)



- Specifications :
- Voltage rating: 600V AC / DC
 - Current rating: 9A AC / DC
 - Withstanding voltage: 1500V AC/minute
 - Temperature range: -25°C~+85°C
 - Insulation resistance: ≥1000MΩ
 - Contact resistance: ≤10mΩ
 - After environmental testing: ≤20mΩ

X9357 W R X-2*03 SE-LP SW XX
 ① ② ③ ④ ⑤ ⑥ ⑦ ⑧ ⑨

- ① Series No.
- ② Category: W-wafer
- ③ Welding Board Angle: R- Right Angle 90°
- ④ Welding Way: Blank-DIP
- ⑤ Weld No.-Pin No.: 2*03-2*03P
- ⑥ Plug the Pin & Special No.: SE-With Post, Reversd Lock, the 5th Pin Foolproof
- ⑦ Material: LP-LCP 94V-0
- ⑧ Plating Category: SW-Matte tin plating
- ⑨ Color: Blank-Natural Color Black



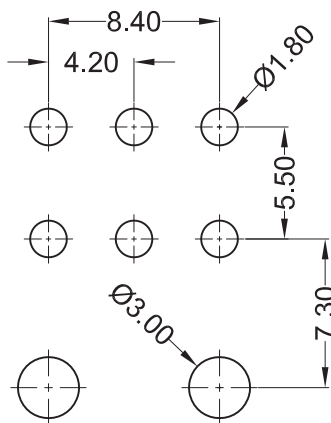
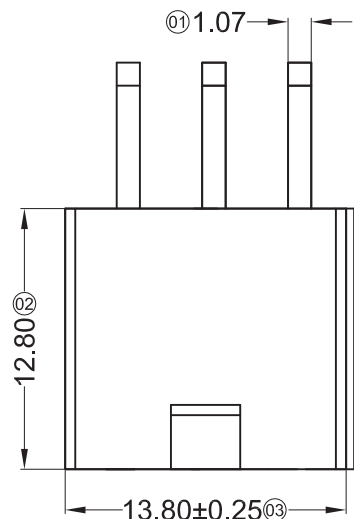
| | | | | |
|---------------------|--------------|---------------|-------------------|-----------------------|
| X9357WR-2*03SE-LPSW | LCP UL 94V-0 | Brass | Matte tin Plating | X9357H |
| PART NO | Material | Material(Pin) | Finish(Pin) | Suitable XKB Terminal |

For and on behalf of
XKB INDUSTRIAL PRECISION CO., LIMITED
 香港星坤工業精密有限公司

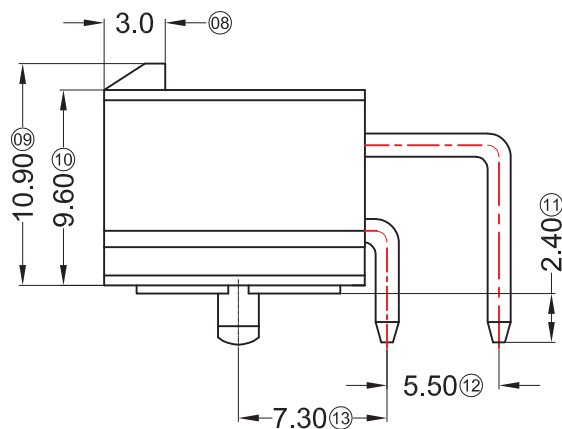
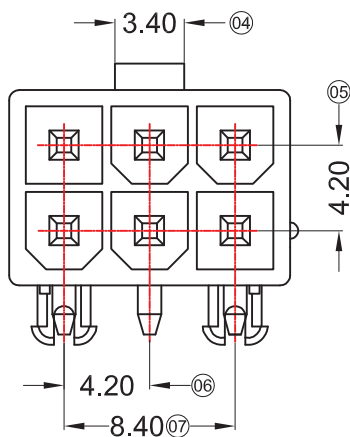
| | | | | | |
|------|-------------|------|---------|----------|------------------------|
| △ X | DESCRIPTION | DATE | REVISED | APPROVED | UNSPECIFIED TOLERANCES |
| △ X | | | | | |
| △ X | | | | | |
| MARK | | | | | |

| | | | |
|------|------|------------|------------------------------------|
| DSND | DATE | SCALE: N/A | MODEL TYPE: X9357WR-2*03SE-LPSW |
| DWN | DATE | VIEW: | PART NO.: |
| CHKD | DATE | UNIT: mm | 4.20 mm Crimp Style Connectors |
| APPD | DATE | SIZE: A4 | DWG NO.: |
| | | | WEIGHT |
| | | | 1.0g |
| | | | SHEET |
| | | | 1/1 |
| | | | REVISION |
| | | | A0 |

XKB INDUSTRIAL PRECISION CO., LIMITED



Recommended P.C.B Layout
General Tolerance±0.05



■ Specifications :

- Voltage rating: 600V AC / DC
- Current rating: 9A AC / DC
- Withstanding voltage: 1500V AC/minute
- Temperature range: -25°C~+85°C
- Insulation resistance: ≥1000MΩ
- Contact resistance: ≤10mΩ
- After environmental testing: ≤20mΩ

X9357 W R X-2*03 SB1-9T SW XX

① ② ③ ④ ⑤ ⑥ ⑦ ⑧ ⑨

- ① 系列
- ② 类别: W-Wafer
- ③ 外观形态: R- Right Angle 90°
- ④ 成型方式: 空码-DIP
- ⑤ PIN数: 2*03-2*03P
- ⑥ 空码位置及特殊码:
SB1-带定位柱、第五PIN防呆, 插板2.40mm
- ⑦ 材质: 9T-PA9T 94V-0
- ⑧ 电镀类别: SW-镀雾锡
- ⑨ 颜色: 空码-黑色

| | | | | |
|----------------------|-------------------|---------------|-------------|-----------------------|
| X9357WR-2*03SB1-9TSW | Nylon 9T UL 94V-0 | Brass | Matte tin | X9357H |
| PART NO | Material | Material(Pin) | Finish(Pin) | Suitable XKB Terminal |

For and on behalf of
XKB INDUSTRIAL PRECISION CO., LIMITED
香港星坤工業精密有限公司

| | | | | | | |
|------|-------------|------|---------|----------|------------------------|------|
| △ X | | | | | ANGULAR | ±5° |
| △ X | | | | | L ≤ 4 | ±0.2 |
| △ X | | | | | 4 < L ≤ 16 | ±0.3 |
| MARK | DESCRIPTION | DATE | REVISED | APPROVED | 16 < L ≤ 63 | ±0.4 |
| | | | | | L > 63 | ±0.5 |
| | REVISIONS | | | | UNSPECIFIED TOLERANCES | |

| | | | | | | | |
|------|--|------|--|------------|-------------------------------------|-------|----------|
| DSND | | DATE | | SCALE: N/A | MODEL TYPE: X9357WR-2*03SB1-9TSW | | |
| DWN | | DATE | | VIEW: | PART NO.: | | |
| CHKD | | DATE | | UNIT: mm | 4.20 mm Crimp Style Connectors | | |
| APPD | | DATE | | SIZE: A4 | DWG NO.: | | |
| | | | | | WEIGHT | SHEET | REVISION |
| | | | | | 1.0g | 1/1 | A0 |

XKB INDUSTRIAL PRECISION CO., LIMITED

X-ON Electronics

Largest Supplier of Electrical and Electronic Components

Click to view similar products for [Headers & Wire Housings](#) category:

Click to view products by [XKB](#) manufacturer:

Other Similar products are found below :

[95000-104TRLF](#) [10135584-644402LF](#) [DF62W-EP2022PCA](#) [95000-106TRLF](#) [DF62W-2022SCA](#) [DF62W-EP2022PC](#) [2203348](#) [DF62W-2022SC](#) [1084018](#) [1029039](#) [1084017](#) [802-10-012-10-002000](#) [1112640](#) [1112639](#) [891-007-9SS-BST1T](#) [000-34000](#) [0008550134](#) [0009482033](#) [0009507031](#) [57102-F02-18ULF](#) [57102-S06-03LF](#) [57202-S52-04LF](#) [PCN6-15S-2.5E](#) [0039019024](#) [58102-G61-06LF](#) [582553-1](#) [0009485154](#) [0009508121](#) [0022285053](#) [0050291907](#) [018731A](#) [LY20-4P-DT1-P1E-BR](#) [02.125.8002.8](#) [60101931](#) [60598-1 \(Cut Strip\)](#) [M1625-3R/100](#) [61062-3](#) [61082-181009](#) [CSU011177004](#) [636-1427](#) [638009-1](#) [641938-9](#) [641991-4](#) [644168-1](#) [644827-2](#) [647662-1](#) [65039-019ELF](#) [65692-001LF](#) [65781-018](#) [65781-047](#)