

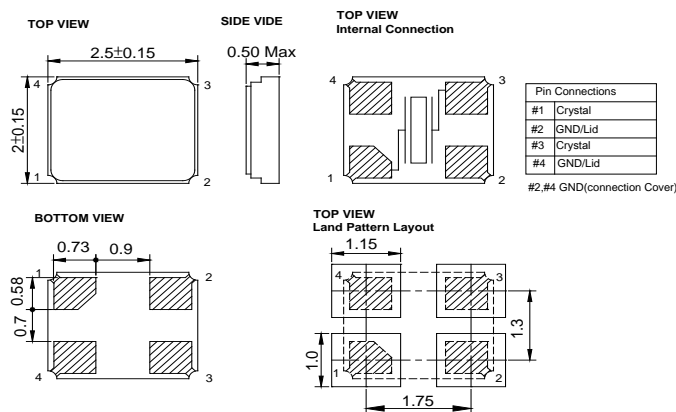
QUARZ CRYSTAL UNIT SPECIFICATION SHEET

CUSTOMER:	LI CHUANG	PRODUCT TYPE:	QUARTZ CRYSTAL HSX221S 50.000000MHz	2017.02.07 (RELEASE DATE)
H.ELE P/N:	X2B050000BC1H-V	CUSTOMER P/N:		
GREEN PRODUCT:		<input checked="" type="checkbox"/> Pb free <input checked="" type="checkbox"/> RoHS Compliant <input checked="" type="checkbox"/> HF-Halogen free <input checked="" type="checkbox"/> REACH Compliant		

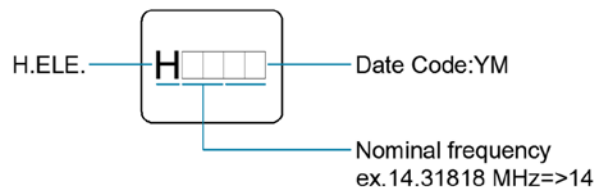
■ Electrical Specification

Items	Electrical Spec.			Unit	Notes
	Min	Type	Max		
1. Mode of oscillation:	Fundamental				
2. Frequency tolerance	-10		+10	ppm	at 25°C±3°C
3. Equivalent resistance (RR)			80	Ω	SERIES
4. Storage temperature range	-40		+85	°C	
5. Operable temperature range	-40		+85	°C	
6. Temperature stability	-30		+30	ppm	-40°C ~ +85°C
7. Loading capacitance (CL)		12.0		pF	
8. Drive level (DL)		10	100	μW	
9. Shunt Capacitance (C0)			2.0	pF	
10. Insulation resistance	500			MΩ	at DC 100V
11. Aging:	-3		+3	ppm/Year	
12. Circuit:	Measured in HP/E5100A,S&A 250B				
13. Shocking :	Dropping from 120 cm height 3 times on Concrete floor				

■ Dimension



■ Marking



1. Laser marking.

2. Date Code:

Year	2010	2011	2012	2013	2014	2015	2016	2017	2018	2019		
(Y)	2020	2021	2022	2023	2024	2025	2026	2027	2028	2029		
Code	0	1	2	3	4	5	6	7	8	9		
Month (M)	Jan.	Feb.	Mar.	Apr.	May.	Jun.	Jul.	Aug.	Sep.	Oct.	Nov.	Dec.
Code	A	B	C	D	E	F	G	H	J	K	L	M

Note:

X-ON Electronics

Largest Supplier of Electrical and Electronic Components

Click to view similar products for [Crystals](#) category:

Click to view products by [Harmony](#) manufacturer:

Other Similar products are found below :

[CS325S24000000ABJT](#) [718-13.2-1](#) [MC405 32.0000K-R3:PURE SN](#) [FC-135R 32.7680KF-A3](#) [7A-40.000MAAE-T](#) [7B-27.000MBBK-T](#)
[FL2000085](#) [9B-15.360MBBK-B](#) [9C-7.680MBBK-T](#) [ASH7K-32.768KHZ](#) [AT-41.600MAGQ-T](#) [BTD1062E05A-513](#) [LFX TAL066198Cutt](#)
[9C-14.31818MBBK-T](#) [FA-238 50.0000MB30X-K3](#) [FC-12M 32.7680KA-AC3](#) [SSPT7F-9PF20-R](#) [FX325BS-38.88EEM1201](#)
[LFX TAL065253Cutt](#) [LFX TAL066431Cutt](#) [XT9S20ANA14M7456](#) [XT9SNLANA16M](#) [646G-24-2](#) [7A-24.576MBBK-T](#) [7B-30.000MBBK-T](#)
[WX26-32.768K-6PF](#) [9B-14.31818MBBK-B](#) [CD1AM](#) [7B-25.000MAAE-T](#) [7A-14.31818MBBK-T](#) [6504-202-1501](#) [6526-202-1501](#) [FA-118T](#)
[27.1200MB50P-K0](#) [FC-135R 32.7680KA-A3](#) [ABM12-104-37.400MHZT](#) [ABLS-10.000MHZ-D3W-T](#) [BTJ112E01E-513](#) [BTJ722K01C-7067](#)
[BTL-20-513](#) [TSX-3225 24.0000MF15X-AC](#) [TSX-3225 16.0000MF18X-AC](#) [BTJ120E02C](#) [BTL-12-513](#) [7A-10.000MBBK-T](#) [7A-](#)
[11.0592MBBK-T](#) [ABM12-103-24.000MHZT](#) [CS325S25000000ABJT](#) [ABM3B-25.000MHZ-B2-X-T](#) [FC-135 32.7680KA-A5](#) [FX0800015](#)