

SPECIFICATIONS

Rated(额定参数): 300V,8A
 Dielectric strength(抗电强度): AC1500V/1 Minute
 Insulation Resistance(绝缘电阻):1000MΩ Min
 Contact Resistance(接触电阻):20mΩ Max
 Screw Torque(扭矩): 0.2Nm (1.7Lb.in)
 Wire Range(线径):28~16AWG
 Strip length(剥线长度):6~7mm
 Temp. range(操作温度): -40℃~+105℃
 MAX Soldering(瞬时温度):+250℃,5s

Housing Material(塑件): PA66 (UL94 V-0)
 Contact(端子): Phosphor Bronze, Tin plating(磷铜镀镍)
 Clamp(方块): Brass(黄铜), Ni plating(镀镍)
 Screw (螺丝): M2.0 Steel, Zinc plating(钢,镀锌)

	PITCH RANGE		NOMINAL DIMENSION RANGE								
	IN MM		IN MM		IN MM		IN MM				
TO	6	OVER	10	OVER	30	OVER	60	OVER	100	OVER	150
TO	6	TO	10	TO	30	TO	60	TO	100	TO	150
TO	6	TO	10	TO	24	TO	30	TO	60	TO	100
±0.10	±0.15	±0.25	±0.30	±0.30	±0.30	±0.50	±0.50	±0.70	±1.00		

Ordering Information

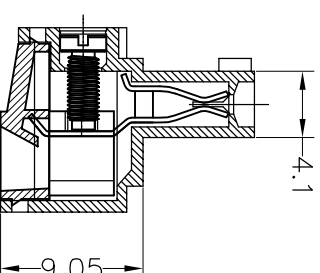
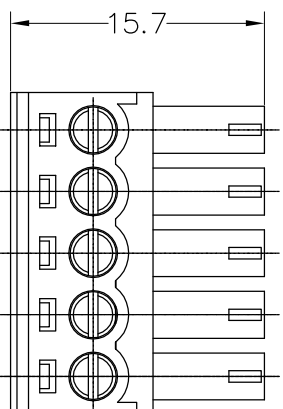
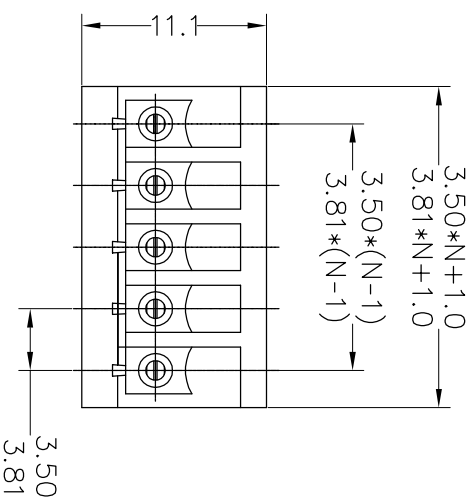
JL15EDGK-XXX XX G X 1

Pitch
 350=3.5PH
 381=3.81PH

No.of pins
 2P,3P,4P~24P

Housing Color
 B=Black
 G=Green
 U=Blue
 R=Red
 W=White
 Y=Yellow
 O=Orange
 E=Grey

Packing
 O=Pe bag
 A=Troy



JILIN®

深圳市锦凌电子有限公司
 SHENZHEN JINLING ELECTRONIC CO.,LTD
 Tel: 86-755-2997-5806/5802 Fax: 86-755-2997-5992

PART NO.

JL15EDGK-XXXXGX1

TITLE:

3.50/3.81 Pitch Female
 Pluggable Terminal Blocks

OPERATION	DRAW		BEN	17.01.05	SCALE	FIT
	UNIT	SIZE				
X.X	±0.30	CHECK			mm	A4
X.XX	±0.20					
X.XXX	±0.10					
Angle	±3°	APPROVE				1/1
DIM	TOL					PROU.

REV	DATE	MODIFICATION DESCRIPTION	CHANGE	APPROVE	SCALE	FIT	TITLE:
1	2017.01.05	NEW DRAWING					3.50/3.81 Pitch Female Pluggable Terminal Blocks

X-ON Electronics

Largest Supplier of Electrical and Electronic Components

Click to view similar products for [Pluggable Terminal Blocks](#) category:

Click to view products by [JILN](#) manufacturer:

Other Similar products are found below :

[57.404.7553](#) [57.504.0053.7](#) [57.510.0053](#) [57.910.6153](#) [01.112.1453](#) [CTB932VE/6](#) [MC 1.5/ 6-ST-3.5 GY AU](#) [ET02015000J0G](#) [734-104](#) [734-302](#) [734-304](#) [8-141-P](#) [FKCT 2.5/ 3-ST KMGY](#) [860505](#) [860508](#) [860516](#) [860810](#) [861908](#) [GBPACX-12](#) [93.731.4953.0](#) [PV05-5,08-K](#) [PVP02-5,00](#) [PVP04-3,50](#) [PVS02-5,00](#) [1-1986160-3](#) [H-10](#) [1546228-5](#) [ELFH09150](#) [ELFH16150](#) [ELFP03110](#) [ELFT06250](#) [ELFT07250](#) [ELVF09400](#) [ELVP03100](#) [ELXH03100](#) [ELXH071G0E](#) [ELXP041G0](#) [ELXT046G0](#) [1700101](#) [1700410](#) [1700425](#) [1703176](#) [1703243](#) [1705229](#) [1710175](#) [1714537](#) [1717806](#) [1719600](#) [1728941](#) [1729386](#)