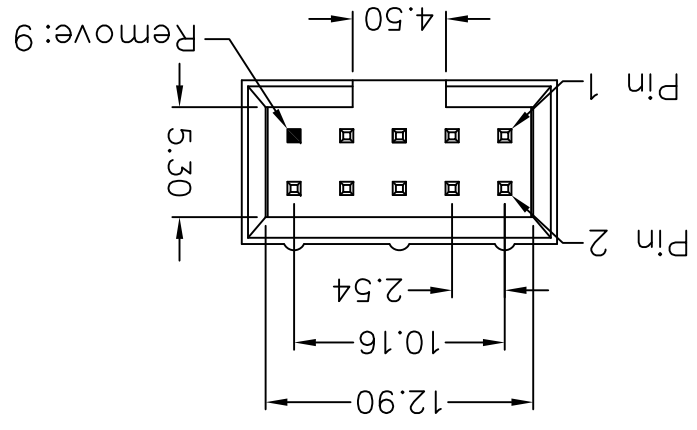
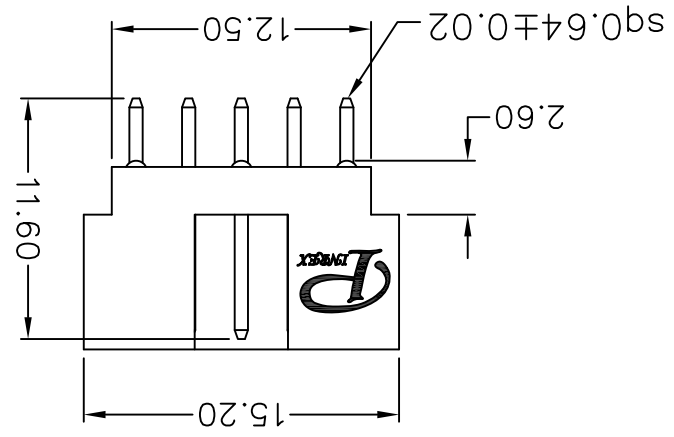
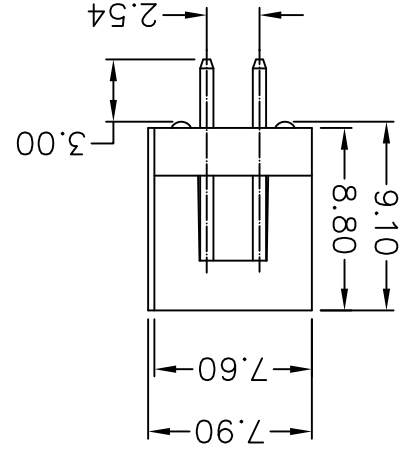
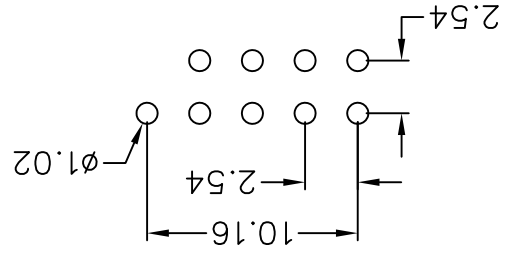


REV.	A	RELEASE	DATE	2017/03/23	ANG. ±3. .0000=±. .000 =±.XXX .00 =±.20 0 =±.30 TOLERANCE	SCALE	NONE	SIZE	A4	SHEET	1 OF 1	REV.	A	AP'D.	NEW PART NO.	51S-80-10GB23	DRAW NO.	51S-80-10GB23(B-11)	
						UNITS : mm				DRAWER	陈小花	CHECK			TITLE	180° BOX HEADER	2.54mm PITCH	PINREX TECHNOLOGY CORP.	

Recommended P.C.B Layout



- 1. 8: Green Product
- 2. No. of contacts
- 3. G: 0.5u"Average Gold flash
- S: Selective
- T: Tin plated
- 4. B: Black U Insulator
- G: Charcoal Insulator(7547U)
- 5. Pinrex internal code.

51S-8 0- 10 G B 23
1 2 3 4 5

Insulation Resistance : 5000M Ω Min. at DC 500V
 Contact Resistance : 20m Ω Max. at DC 100mA
 Dielectric Voltage : AC 500V for one minute

SPECIFICATION

Current Rate : 1A AC,DC
 Voltage Rating: 250V AC,DC
 Insulator: NY66+30%Glass Fiber
 Contact Pin : Brass C2700

MATERIAL

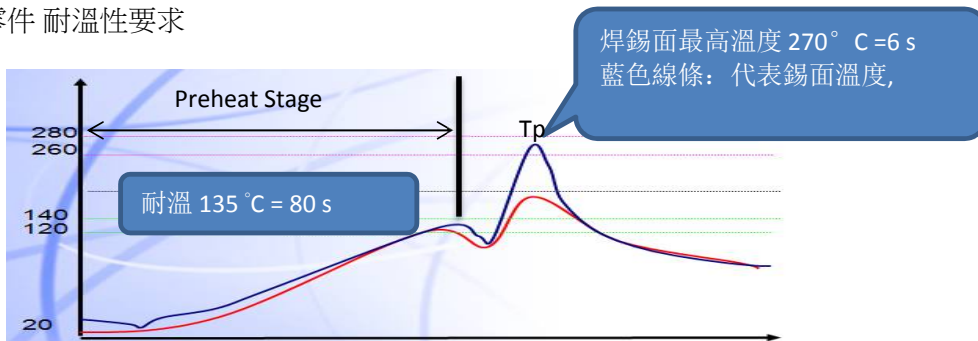
Date : 2015.11.19

Profile Feature	DIP Component Vendor Spec
Preheat/Soak	135 °C need endure 80 seconds
Ramp-up rate (Preheat Stage)	need endure 3 °C/second max.
Liquidous temperature	NA
Peak package body temperature (Tp)	270 °C
Time (Tp)	need endure 6* seconds
Ramp-down rate	NA
Time 25 °C to peak temperature	need endure 8 minutes max.

DIP Plastic heat resistance capability :

- (1) Direct contact 270°C, 6 seconds
- (2) In-direct contact 230°C, 5 seconds
- (3) no contact 130°C, 5 seconds

DIP零件 耐溫性要求



3. DIP 零件塑膠部分耐溫要求

- (1) 直接接觸需承受270度6秒 / Direct contact 270°C, 6 sec
- (2) 間接接觸需承受230度5秒 / In-direct contact 230°C, 5 sec
- (3) 完全不接觸需承受130度5秒 / no contact 130°C, 5 sec

X-ON Electronics

Largest Supplier of Electrical and Electronic Components

Click to view similar products for [Headers & Wire Housings](#) category:

Click to view products by [Pinrex](#) manufacturer:

Other Similar products are found below :

[95000-104TRLF](#) [10135584-644402LF](#) [DF62W-EP2022PCA](#) [95000-106TRLF](#) [DF62W-2022SCA](#) [DF62W-EP2022PC](#) [2203348](#) [DF62W-2022SC](#) [1084018](#) [1029039](#) [1084017](#) [802-10-012-10-002000](#) [1112640](#) [1112639](#) [891-007-9SS-BST1T](#) [000-34000](#) [0008550134](#) [0009482033](#) [0009507031](#) [57102-F02-18ULF](#) [57102-S06-03LF](#) [57202-S52-04LF](#) [PCN6-15S-2.5E](#) [0039019024](#) [58102-G61-06LF](#) [582553-1](#) [0009485154](#) [0009508121](#) [0022285053](#) [0050291907](#) [018731A](#) [LY20-4P-DT1-P1E-BR](#) [02.125.8002.8](#) [60101931](#) [60598-1 \(Cut Strip\)](#) [M1625-3R/100](#) [61062-3](#) [61082-181009](#) [CSU011177004](#) [636-1427](#) [638009-1](#) [641938-9](#) [641991-4](#) [644168-1](#) [644827-2](#) [647662-1](#) [65039-019ELF](#) [65692-001LF](#) [65781-018](#) [65781-047](#)