



## SPECIFICATION OF PRODUCT 承认书

CUSTOMER: \_\_\_\_\_  
DESCRIPTION: Piezo Buzzer  
FUSHENG P/N: FSD-4310-12V  
CUSTOMER P/N: \_\_\_\_\_  
DATE: 2018-8-28

| CUSTOMER | APPROVER   | CHECKER  |
|----------|------------|----------|
|          | Yunqing Wu | Bing Yan |

### 泰州福声电子科技有限公司

地址:江苏省泰州市海陵区凤凰西路 168 号

电话: 0086-523-86219066 传真: 0086-523-81601108

邮箱: sales@electronic-tech.cn

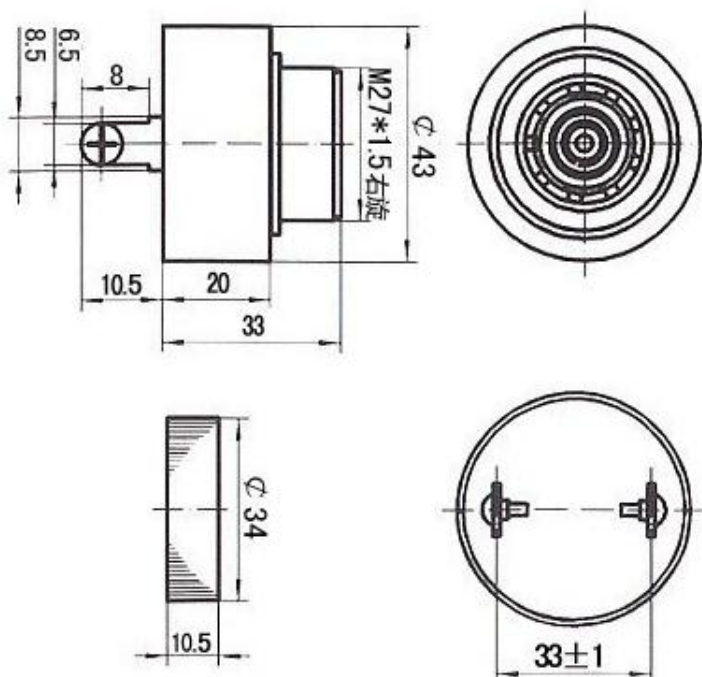
网址: [www.tzfsdz.com](http://www.tzfsdz.com)



## 1.SPECIFICATION 规格

| No. | Item                                | Unit | Specification | Condition                |
|-----|-------------------------------------|------|---------------|--------------------------|
| 1   | Oscillation Frequency               | Hz   | 2900±500      |                          |
| 2   | Operating Voltage                   | VDC  | 6~ 28         |                          |
| 3   | Rated Voltage                       | VDC  | 12            |                          |
| 4   | Current Consumption                 | mA   | MAX. 20       | at Rated Voltage         |
| 5   | Sound Pressure Level                | dB   | MIN. 100      | at 10cm at Rated Voltage |
| 6   | Operating Temperature               | °C   | -20 ~ +70     |                          |
| 7   | Storage Temperature                 | °C   | -30 ~ +85     |                          |
| 8   | Dimension                           | mm   | Φ43x H33      | See appearance drawing   |
| 9   | Weight (MAX)                        | gram | 40            |                          |
| 10  | Housing Material                    |      | ABS( Black )  |                          |
| 11  | Leading Pin                         |      | Sn            | See appearance drawing   |
| 12  | Environmental Protection Regulation |      | RoHS          |                          |

## 2. APPEARANCE DRAWING 尺寸图



## X-ON Electronics

Largest Supplier of Electrical and Electronic Components

*Click to view similar products for [Audio Indicators & Alerts](#) category:*

*Click to view products by [FUET](#) manufacturer:*

Other Similar products are found below :

[M2BJ-BH24E](#) [6-4](#) [68S1240-PA](#) [MBA-624](#) [F/BC 40P-DR LF](#) [FDG111PLF](#) [F/NRMB 24 BLACK LF](#) [PF-35N29WQ](#) [PFD-27A35PQ](#) [PL-27A35PSQ](#) [PS-531Q](#) [AB2020B-2-LW1](#) [EBPT-401](#) [PB06SD12AP](#) [PB-1220PEQ](#) [S6109](#) [SC2036ACP](#) [SC616N-2](#) [SC628FW](#) [SC628MPG](#) [SC648D](#) [SCS045MD9DT3S](#) [AB2025B-LW50-R](#) [ESZ-25B-5-250B](#) [F/BC 35-DR LF](#) [FCM12PLF](#) [F/EB20P-DR LF](#) [F/HU110MP24V-IP67B LF](#) [AI-2835-TF-LW150-2-R](#) [AI-4228-TF-LW305-R](#) [FSMD8585JSLF](#) [FSS-26T](#) [F/SU 21-02 LF](#) [F/TCW 05 WITH LABEL LF](#) [F/UCW 03 WITH LABEL LF](#) [F/UCW 06 WITH LABEL LF](#) [PKM22EPPH40S1-B0](#) [PKM35-4A0](#) [PL-35N29WQ](#) [PLD-27A35PQ](#) [PS-552Q](#) [CM-5](#) [M2BJ-BH24E-D](#) [REF-202](#) [LSC628ANR](#) [5-100](#) [PAL-328](#) [03-810.001](#) [RTO-1R07-001](#) [PL-21N31PQ](#) [PF-27A25PSQ](#)