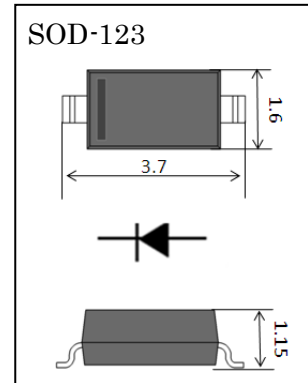


BAV19W-BAV21W

- ◇ General purpose diodes
- ◇ Fast switching devices
- ◇ **SOD123** Micro SMD package
- ◇ RoHS compliant / Green EMC
- ◇ Matte Tin (Sn) Lead finish
- ◇ Cathode Band / Device marking

Device Marking Code	
BAV19W	AB
BAV20W	T2
BAV21W	T3



※Mark: refer to Device Marking

Maximum Ratings (Ta = 25 °C)

Symbol	Parameter	BAV19W	BAV20W	BAV21W	Units
V_{RM}	Non-Repetitive Peak Reverse Voltage	120	200	250	V
V_{RRM}	Repetitive Peak Reverse Voltage	100	150	200	V
$V_{R(RMS)}$	RMS Reverse Voltage	71	106	141	V
I_O	Average Rectified Output Current	200			mA
I_{FSM}	Non-Repetitive Peak Forward Surge Current (@t=1.0us)	2.0			A
P_D	Power Dissipation	400			mW
T_J	Junction Temperature	150			°C
T_{STG}	Storage Temperature	-65 to +150			°C

Electrical Characteristics (Ta = 25 °C)

Symbol	Parameter	Test Conditions		Min	Max	Units
V_F	Forward Voltage	$I_F=100mA$ $I_F=200mA$			1 1.25	V
I_R	Reverse current	$V_R=100V$ $V_R=150V$ $V_R=200V$	BAV19W BAV20W BAV21W		0.1 0.1 0.1	uA

Electrical Characteristics (Ta = 25 °C)

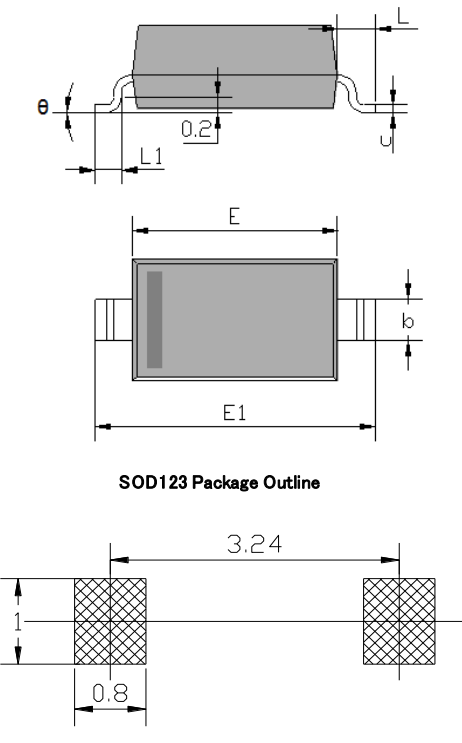
Symbol	Parameter	Test Conditions	Min	Max	Units
Ctot	Total capacitance	$V_R=0V, f=1MHz$		5	pF
trr	Reverse recovery time	$I_F=I_R=30mA, I_{rr}=0.1*I_R, R_L=100\Omega$		50	ns

Ordering Information

Device	Package	Shipping	Tape wide	Emboss pitch	Tape specification	Notes
BAV series	SOD123	Tape & Reel 3000pcs /7" Reel	8 mm	4 mm	Conductive	

Package Dimensions

Package outline : SOD-123



The diagrams show the SOD-123 package outline with dimensions A, A1, A2, b, c, D, E, E1, L, L1, and θ . The land pattern recommendation shows a 3.24mm wide pad with a 0.8mm wide lead and a 1mm high solder mask.

Unit	A	A1	A2	b	c	D	E	E1	L	L1	θ
Max.	1.25	0.10	1.15	0.65	0.15	1.70	2.80	3.85	0.500 REF.	0.45	8°
Min.	1.05	0.00	1.05	0.45	0.08	1.50	2.60	3.55		0.25	0°

SOD123 Package Outline

Land Pattern Recommendation

Note:

1. Halogen free, EMC
2. Pb free solder
3. Lead thickness includes solder plating
4. Lead frame: A42
5. Other Tolerance: ± 0.05
6. Dimensions are exclusive of Burrs, Mold Flash and Tie Bar extrusions
7. Unit: mm

X-ON Electronics

Largest Supplier of Electrical and Electronic Components

Click to view similar products for [Diodes - General Purpose, Power, Switching category](#):

Click to view products by [Yenji manufacturer](#):

Other Similar products are found below :

[MCL4151-TR3](#) [MMBD3004S-13-F](#) [RD0306T-H](#) [RD0506LS-SB-1H](#) [RGP30G-E373](#) [DSE010-TR-E](#) [BAQ333-TR](#) [BAQ335-TR](#) [BAQ33-GS18](#) [BAS1602VH6327XT](#) [BAV17-TR](#) [BAV19-TR](#) [BAV301-TR](#) [BAW27-TAP](#) [HSC285TRF-E](#) [NSVBAV23CLT1G](#) [NTE525](#) [1SS181-TP](#) [1SS184-TP](#) [1SS193,LF](#) [1SS193-TP](#) [1SS400CST2RA](#) [SBAV99LT3G](#) [SDAA13](#) [LL4448-GS18](#) [SHN2D02FUTW1T1G](#) [LS4150GS18](#) [LS4151GS08](#) [SMMD7000LT3G](#) [FC903-TR-E](#) [1N4449](#) [1N4934-E3/73](#) [1SS226-TP](#) [APT100DL60HJ](#) [RFUH20TB3S](#) [RGP30G-E354](#) [RGP30M-E3/73](#) [D291S45T](#) [MCL4151-TR](#) [BAS 16-02V H6327](#) [BAS 21U E6327](#) [BAS 28 E6327](#) [BAS33-TAP](#) [BAS 70-02V H6327](#) [BAV300-TR](#) [BAV303-TR3](#) [BAW27-TR](#) [BAW56DWQ-7-F](#) [BAW56M3T5G](#) [BAW75-TAP](#)