



Features

- Transient Protection for 2 Differential Line Pairs (4 lines) with Bi-directional.
- Provide Transient Protection for the Protected Differential Line Pair to
IEC 61000-4-2 (ESD) ±30kV (contact/air)
IEC 61000-4-4 (EFT) 60A (5/50ns)
IEC 61000-4-5 (Lightning) 30A (8/20µs)
Cable Discharge Event (CDE)
- JEDEC SO-8 Package.
- Specific Pin Out For Easy Board Layout.
- Fast Turn-On and Low Clamping Voltage.
- Low Operating Voltage: 2.8V.
- Low Leakage Current
- Solid-State Silicon-Avalanche and Active Circuit Triggering Technology.
- ROHS part is available
- Green part is available

Applications

- WAN/LAN Device
- 10/100/1000 Ethernet
- Switching Systems
- Computers
- Instruments
- Differential Inputs

Description

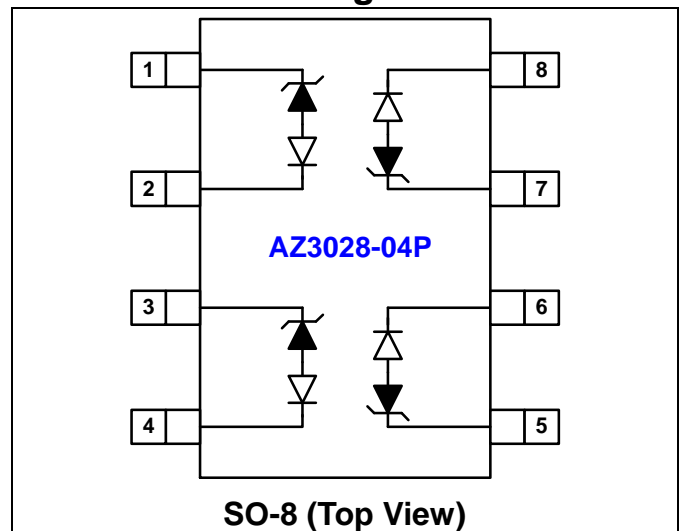
AZ3028-04P is a design which includes bi-directional surge rated clamping cells to protect two differential high speed data-line pairs in an electronic systems. The AZ3028-04P has been specifically designed to protect sensitive components which are connected to the differential line pairs from over-voltage damage and latch-up caused by Electrostatic Discharging (ESD), Electrical Fast Transients (EFT), Lightning, and Cable Discharge Event (CDE). AZ3028-04P is a unique design which includes

proprietary clamping cells in a single package. During transient conditions, the proprietary clamping cells provide low clamping voltages to minimize the stress on the protected components.

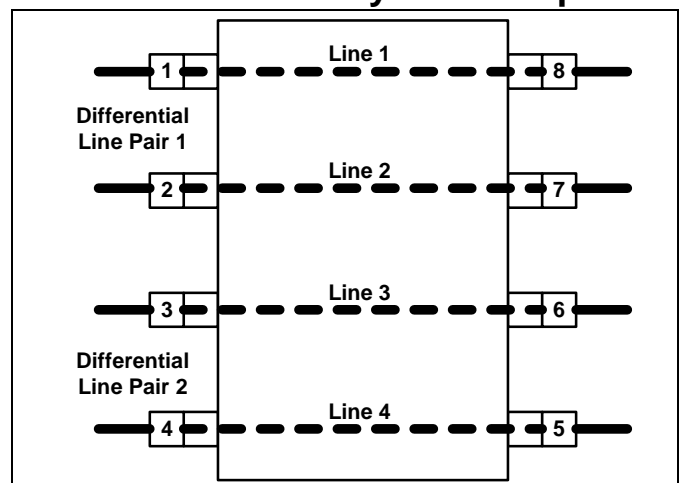
AZ3028-04P is bi-directional and may be used on lines where the signal swings above and below ground.

AZ3028-04P may be used to meet the ESD immunity requirements of IEC 61000-4-2, Level 4 (±15kV air, ±8kV contact discharge).

Circuit Diagram / Pin Configuration



Circuit Board Layout Example



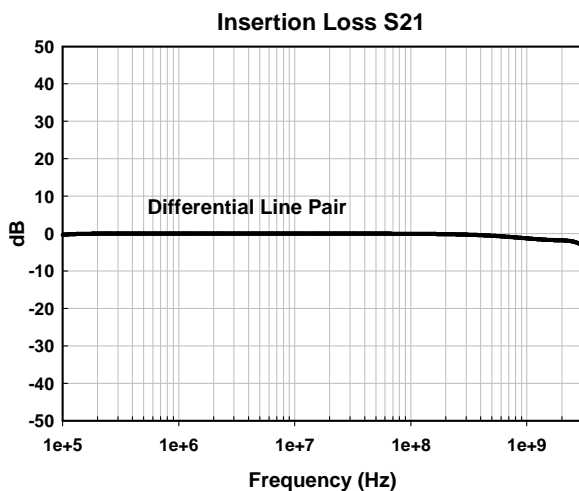
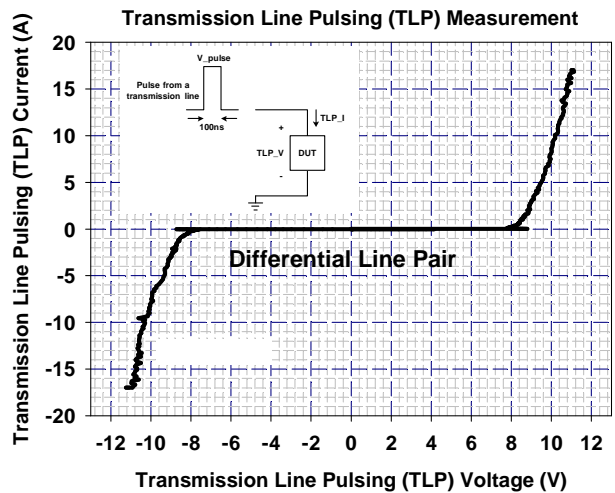
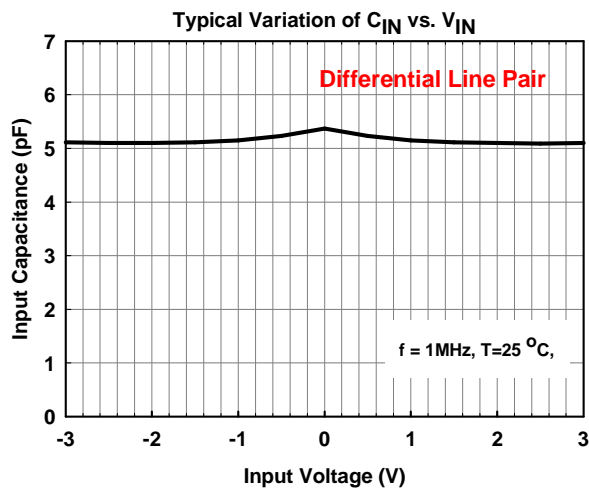
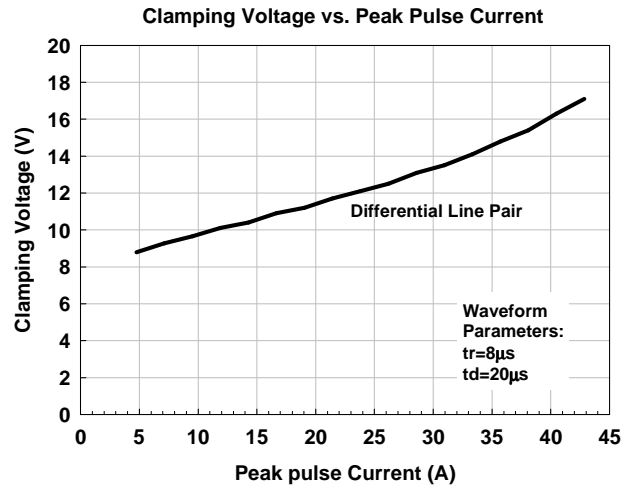
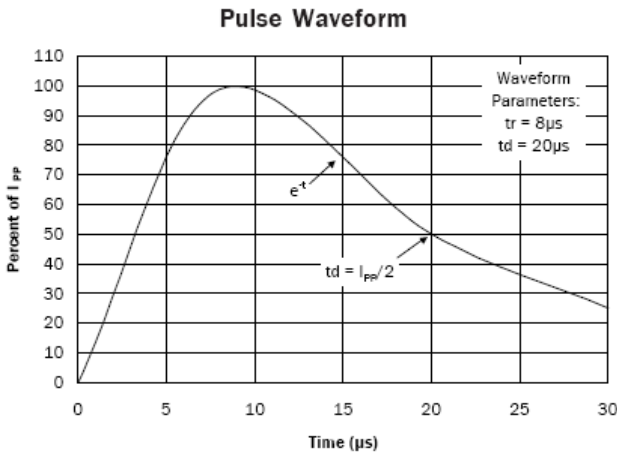


SPECIFICATIONS

ABSOLUTE MAXIMUM RATINGS			
PARAMETER	SYMBOL	RATING	UNITS
Peak Pulse Current (tp =8/20us) for each differential line pair	I_{PP}	30	A
ESD per IEC 61000-4-2 (Contact /Air) for each differential line pair	V_{ESD}	±30	kV
Lead Soldering Temperature	T_{SOL}	260 (10 sec.)	°C
Operating Temperature	T_{OP}	-55 to +125	°C
Storage Temperature	T_{STO}	-55 to +150	°C

ELECTRICAL CHARACTERISTICS						
PARAMETER	SYMBOL	CONDITIONS	MIN	TYP	MAX	UNITS
Reverse Stand-Off Voltage	V_{RWM}	$T=25\text{ }^{\circ}\text{C}$.			2.8	V
Reverse Leakage Current	I_{Leak}	$V_{RWM} = 2.8\text{V}$, $T=25\text{ }^{\circ}\text{C}$ (Each Line)			1	μA
Reverse Breakdown Voltage	V_{BV}	$I_{BV} = 1\text{mA}$, $T=25\text{ }^{\circ}\text{C}$. (Each Differential Line Pair)	3			V
Snap-Back Voltage	V_{SB}	$I_{SB} = 50\text{mA}$. (Each Differential Line Pair)	2.8			V
Clamping Voltage	V_{CL}	$I_{PP}=5\text{A}$, $tp=8/20\text{us}$, $T=25\text{ }^{\circ}\text{C}$. (Each Differential Line Pair)			10	V
Clamping Voltage	V_{CL}	$I_{PP}=24\text{A}$, $tp=8/20\text{us}$, $T=25\text{ }^{\circ}\text{C}$. (Each Differential Line Pair)			13	V
Clamping Voltage	V_{CL}	$I_{PP}=30\text{A}$, $tp=8/20\text{us}$, $T=25\text{ }^{\circ}\text{C}$. (Each Differential Line Pair)			15	V
Channel Input Capacitance	C_{IN}	$V_R = 0\text{V}$, $f = 1\text{MHz}$, $T=25\text{ }^{\circ}\text{C}$. (Each Differential Line Pair)		5.5		pF

Typical Characteristics



Applications Information

The AZ3028-04P is designed to protect four lines against System ESD/EFT/Lightning pulses by clamping them to an acceptable reference. It provides bi-directional protection.

The usage of the AZ3028-04P is shown in Fig. 1. It can be configured to protect two high speed line pairs (four lines). The first line pair is connected to Pin-1, Pin-2, Pin-8, and Pin-7, simultaneously. The second line pair is connected to Pin-3, Pin-4, Pin-6, and Pin-5, simultaneously. The traces must be connected at the bottom of AZ3028-04P.

In order to obtain enough suppression of ESD induced transient, good circuit board is critical. Thus, the following guidelines are recommended:

- Minimize the path length between the protected lines and the AZ3028-04P.
- Place the AZ3028-04P near the input terminals or connectors to restrict transient coupling.
- The ESD current return path to ground should be kept as short as possible.
- Use ground planes whenever possible.
- NEVER route critical signals near board edges and near the lines which the ESD transience easily injects to.

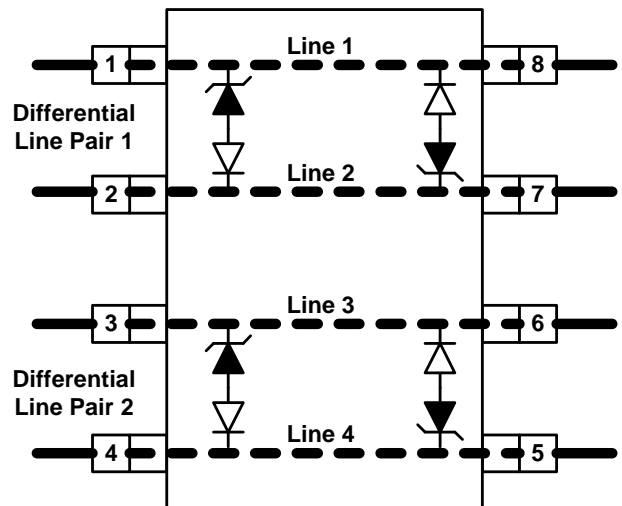
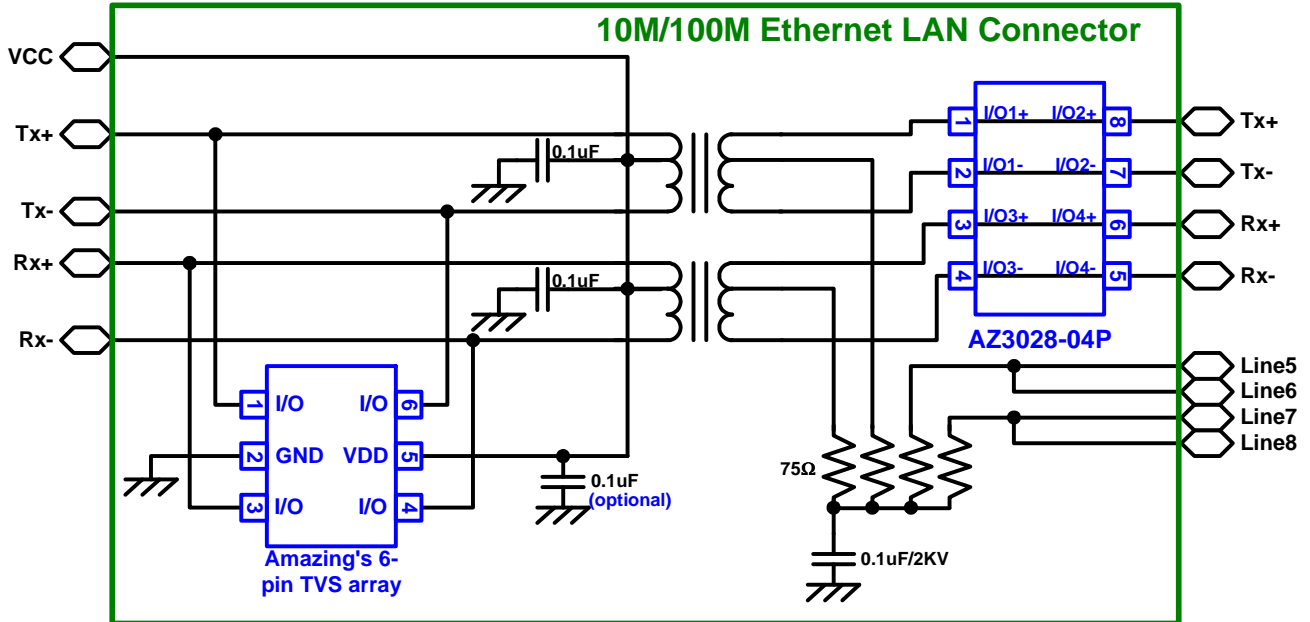


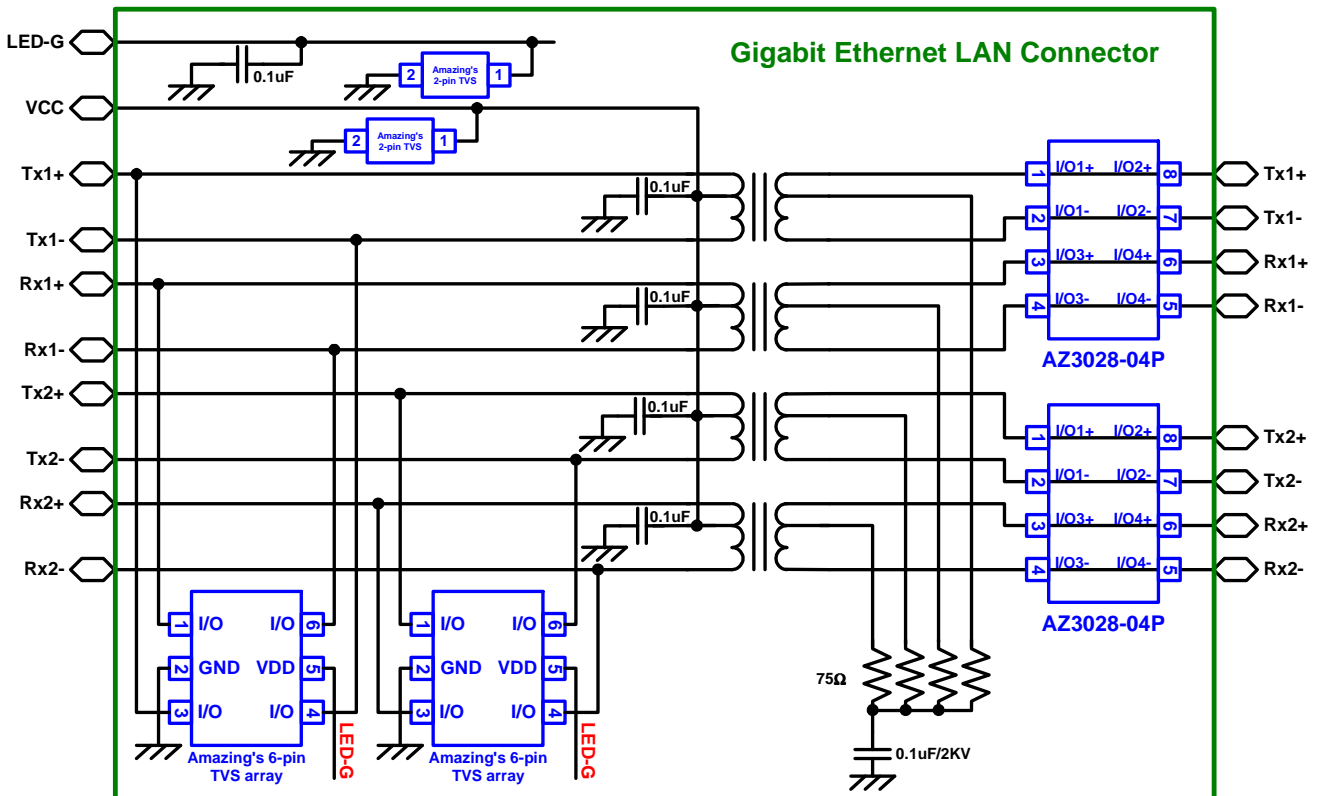
Fig. 1
Configuration for protecting two differential line pairs



Typical Applications



10M/100M Ethernet Protection Circuit

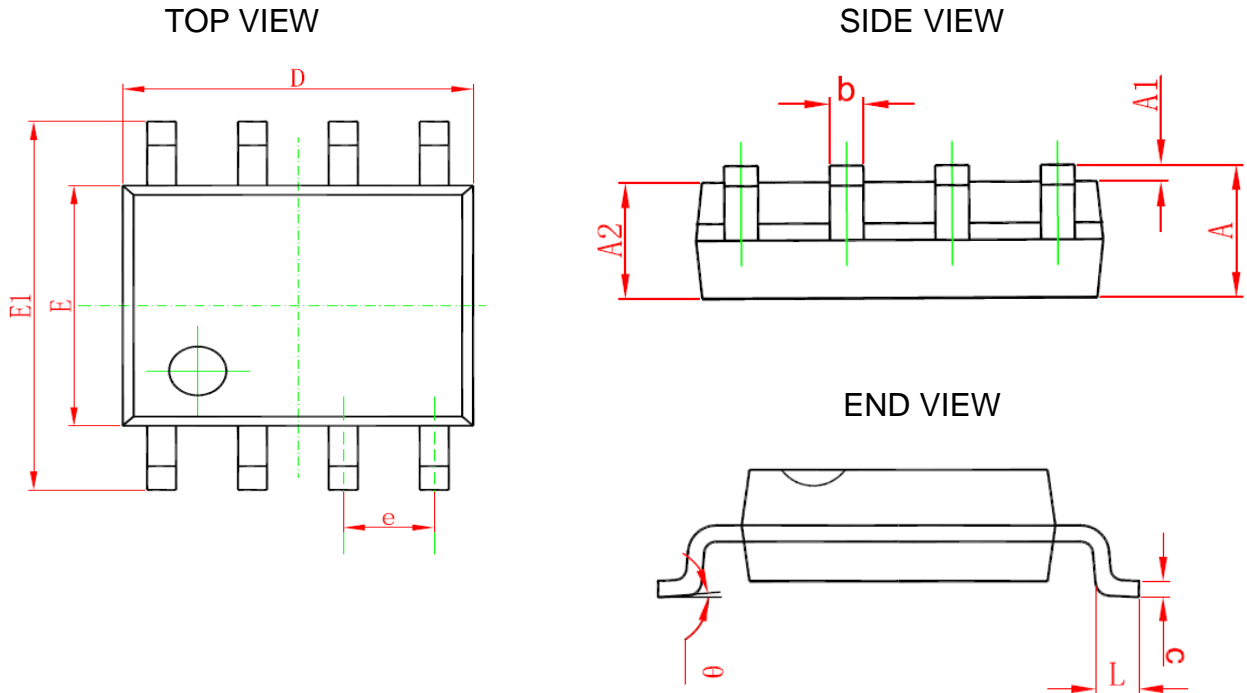


Gigabit Ethernet Protection Circuit



Mechanical Details

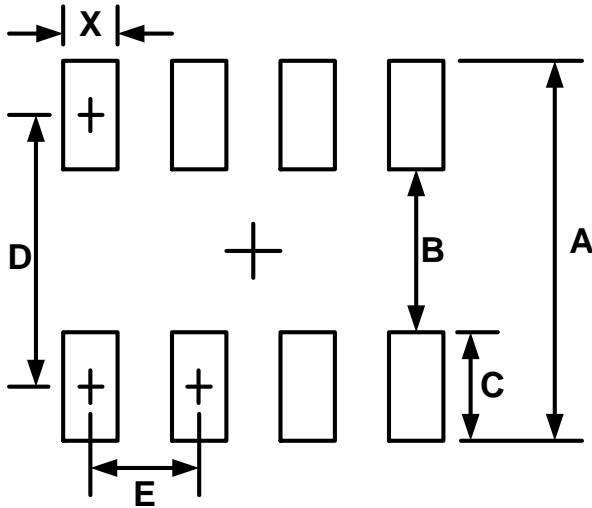
SO-8 PACKAGE DIAGRAMS



PACKAGE DIMENSIONS

Symbol	Millimeters		Inches	
	min	max	min	max
A	1.35	1.75	0.053	0.069
A1	0.10	0.25	0.004	0.010
A2	1.35	1.55	0.053	0.061
b	0.33	0.51	0.013	0.020
C	0.17	0.26	0.007	0.010
D	4.70	5.10	0.185	0.201
E	3.70	4.10	0.146	0.161
E1	5.80	6.20	0.228	0.244
e	1.27 BSC		0.05BSC	
L	0.40	1.27	0.016	0.050
θ	0	8	0	8

LAND LAYOUT

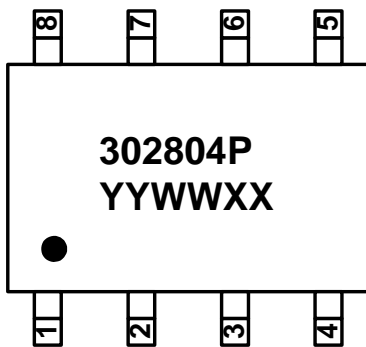


Dimensions		
Index	Millimeter	Inches
A	7.40	0.291
B	3.00	0.118
C	2.20	0.087
D	5.20	0.205
E	1.27	0.050
X	0.60	0.24

Notes:

This LAND LAYOUT is for reference purposes only. Please consult your manufacturing partners to ensure your company's PCB design guidelines are met.

MARKING CODE



302804P = Device Code
YYWWXX = Date Code

Part Number	Marking Code
AZ3028-04P (Rohs Part)	302804P YYWWXX
AZ3028-04P (Green Part)	302804P YYWWXXG

Ordering Information

PN#	Material	Type	Reel size	MOQ/interal box	MOQ/carton
AZ3028-04P.RDG	Green	T/R	13 inch	1 reel=2,500/box	5 box=12,500/carton



Revision History

Revision	Modification Description
Revision 2008/10/17	Preliminary Release.
Revision 2009/03/24	Formal Version Release.
Revision 2009/12/26	Update the PACKAGE DIMENSIONS.
Revision 2011/06/19	1. Update the Company Logo. 2. Add the Ordering Information. 3. Eliminate the index of L1 in the Mechanical Details.

X-ON Electronics

Largest Supplier of Electrical and Electronic Components

Click to view similar products for [ESD Suppressors / TVS Diodes](#) category:

Click to view products by [AMAZING](#) manufacturer:

Other Similar products are found below :

[NTE4902](#) [P4SMAJ15A](#) [P4SMAJ26A](#) [SMAJ400CA-TP](#) [TGL34-47CA](#) [ESDAULC45-1BF4](#) [SM1605E3/TR13](#) [SMF20A-TP](#) [P4SMAJ12A](#)
[CPDUR24V-HF](#) [CPDQC5V0USP-HF](#) [CPDQC5V0-HF](#) [MPLAD30KP45CAE3](#) [MMBZ27VCLQ-7-F](#) [MMAD1108/TR13](#) [MPLAD30KP24A](#)
[ACPDQC5V0R-HF](#) [DFLT170A-7](#) [NTE4900](#) [NTE4926](#) [NTE4938](#) [SMF22A-TP](#) [SMF12A-TP](#) [SLVU2.8-TP](#) [SMLJ6.5CA-TP](#) [SMAJ6.5CA-](#)
[TP](#) [MMAD1108E3/TR13](#) [D5V0M1U2LP3-7](#) [SMAJ400A-TP](#) [AOZ8811DT-03](#) [AOZ8831DI-05](#) [AOZ8831DT-03](#) [SMAJ188CA](#) [3SMC33CA](#)
[BK](#) [CPDQC3V3C-HF](#) [CPDQC12VE-HF](#) [MPLAD30KP170CA](#) [82357120100](#) [5.0SMLJ15CA-TP](#) [5KP18A-TP](#) [P6KE8.2A-TP](#)
[MPLAD30KP43CAE3](#) [SMAJ43A-TP](#) [D5V0F6U8LP33-7](#) [TVS5501V10MUT5G](#) [5.0SMLJ24CA-TP](#) [SMAJ110CA-TP](#) [MPLAD15KP75CAE3](#)
[MMAD1103e3/TR13](#) [DFLT40AQ-7](#)