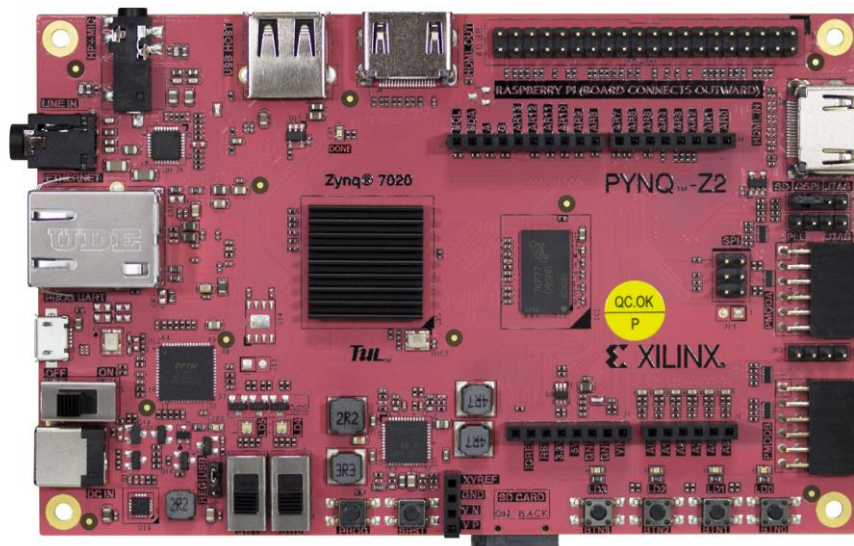


PYNQ-Z2 Reference Manual v1.0

17 May 2018



The PYNQ-Z2 is a Zynq development board designed to be used with the PYNQ™, an open-source framework.

To find out more about PYNQ, please see the project webpage at www.pynq.io. Here you will find materials to help you get started with PYNQ and a forum for contacting the supporting community.

Contents

1 PYNQ-Z2 features	4
2 Board files and XDC constraints file	6
3 Power	7
4 Boot mode selection.....	8
5 Clock Sources	9
6 DRAM.....	10
7 Quad SPI Flash	11
8 USB Host	12
9 ADAU1761 Audio Codec.....	13
10 MicroSD.....	14
11 Ethernet PHY	15
12 MicroUSB Port	17
13 HDMI ports.....	18
14 LEDs, Buttons, Switches	20
15 Board reset signals	22
16 Pmod Ports	23
17 Arduino Shield Connector	25
18 Raspberry Pi Header	30
19 References.....	31

1 PYNQ-Z2 features

- **ZYNQ XC7Z020-1CLG400C**
 - 650MHz ARM® Cortex®-A9 dual-core processor
 - Programmable logic
 - 13,300 logic slices, each with four 6-input LUTs and 8 flip-flops
 - 630 KB block RAM
 - 220 DSP slices
 - On-chip Xilinx analog-to-digital converter (XADC)
 - Programmable from JTAG, Quad-SPI flash, and MicroSD card
- **Memory and storage**
 - 512MB DDR3 with 16-bit bus @ 1050Mbps
 - 16MB Quad-SPI Flash with factory programmed 48-bit globally unique EUI-48/64™ compatible identifier
 - MicroSD slot
- **Power**
 - USB or 7V-15V external power regulator
- **USB and Ethernet**
 - Gigabit Ethernet PHY
 - Micro USB-JTAG Programming circuitry
 - Micro USB-UART bridge
 - USB 2.0 OTG PHY (supports host only)
- **Audio and Video**
 - 2x HDMI ports (input and output)
 - 24bit I2S DAC with 3.5mm TRRS jack
 - Line-in with 3.5mm jack
- **Switches, Push-buttons and LEDs**
 - 4 push-buttons
 - 2 slide switches
 - 4 LEDs
 - 2 RGB LEDs
- **Expansion Connectors**
 - 2xPmod ports
 - 16 Total FPGA I/O (8 pins on Pmod A are shared with Raspberry Pi connector)
 - Arduino Shield compatible connector

- 24 Total FPGA I/O
- 6 Single-ended 0-3.3V Analog inputs to XADC
- Raspberry Pi connector
 - 28 Total FPGA I/O (8 pins are shared with Pmod A)

Refer to the schematics for details on shared pins:

http://www.tul.com.tw/download/TUL_PYNQ%20Schematic_R12.pdf

2 Board files and XDC constraints file

Board files containing the Zynq PS configuration for the PYNQ-Z2 can be downloaded from the TUL website:

<http://www.tul.com.tw/download/pynq-z2.zip>

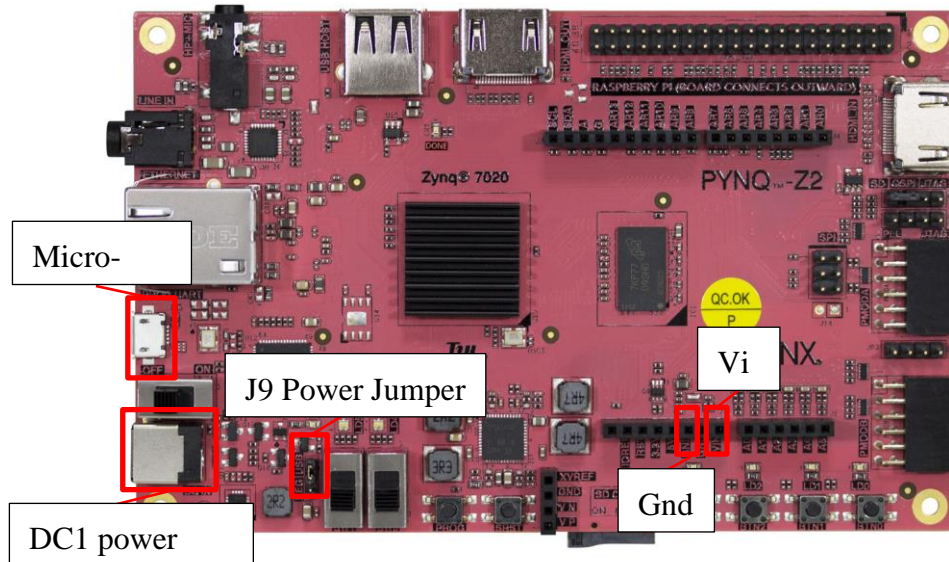
The board files can be used with Vivado to automatically configure the PS when creating new Zynq designs for the board.

A master XDC constraints file which contains pin constraints for the PYNQ-Z2 is also available from the TUL website:

http://www.tul.com.tw/download/pynq-z2_v1.0.xdc.zip

3 Power

The PYNQ-Z2 can be powered from the Micro-USB port (J8), an external power supply, or a battery. The power source is selected by setting jumper J9 (near SW1) to USB or REG (External power REGulator/Battery).



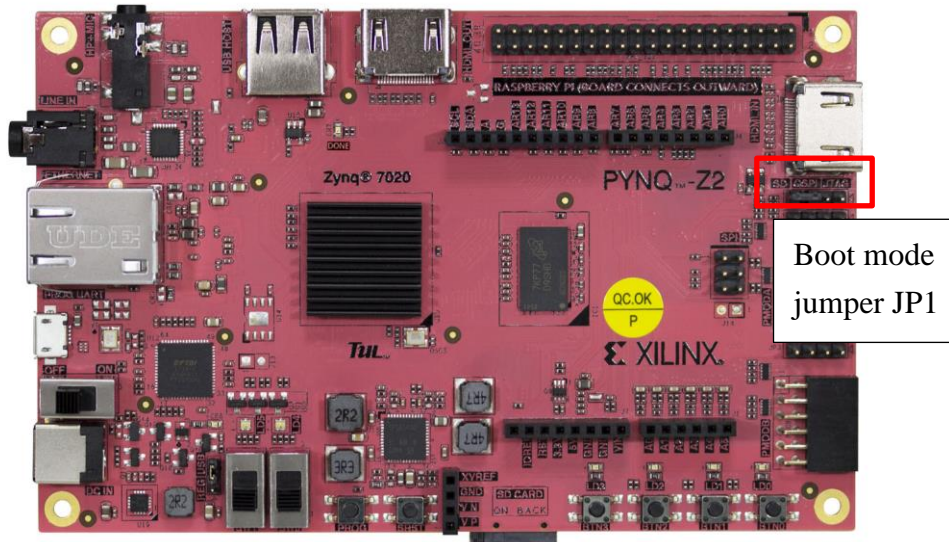
The MicroUSB port connects to a standard USB port and should provide enough power for most designs. More demanding applications may require more power than the USB port can provide.

When more power is required, an external power regulator (coax, center-positive 2.1mm internal-diameter plug) can be connected to the power jack (DC1). The board supports 7VDC to 15VDC (12V recommended). Suitable supplies can be purchased from the TUL website.

A battery can also be used to power the PYNQ-Z2 by attaching the positive terminal to the “VIN” pin on the Arduino J7 connector (with jumper J9 set to REG). The negative terminal can be connected to one of the pins labeled GND on J7.

4 Boot mode selection

The PYNQ-Z2 supports MicroSD, Quad SPI Flash, and JTAG boot modes. The boot mode is selected using the Mode jumper (JP1). TO select the boot mode, move the jumper to the appropriate position as indicated by the label on the board.

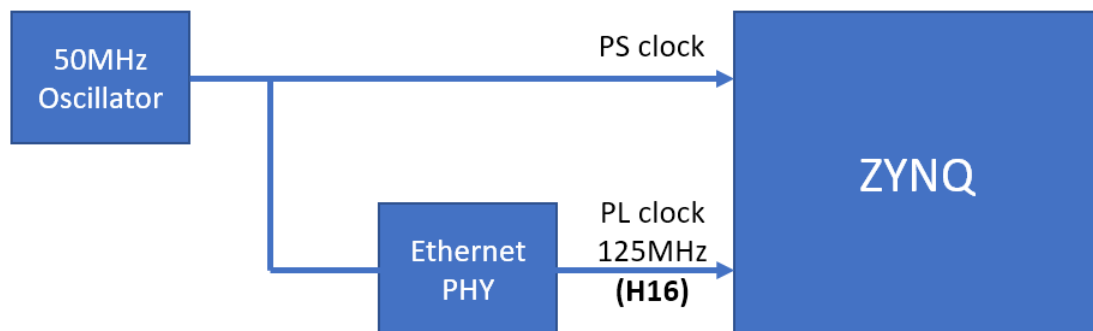


5 Clock Sources

The PYNQ-Z2 provides a 50 MHz clock to the Zynq PS_CLK input, which is used to generate the clocks for each of the PS subsystems. The 50 MHz input allows the processor to operate at a maximum frequency of 650 MHz.

The PYNQ-Z2 also has an external 125 MHz reference clock connected to pin H16 of the PL. The external reference clock allows the PL to be used independently of the PS.

Figure 6.1 outlines the clocking scheme used on the PYNQ-Z2. Note that the reference clock output from the Ethernet PHY is used as the 125 MHz reference clock to the PL. When the PHYRSTB signal is driven low, the Ethernet PHY (U5) is held in reset disabling the CLK125.



For a full description of the capabilities of the Zynq PL clocking resources, refer to the “7 Series FPGAs Clocking Resources User Guide” available from Xilinx.

6 DRAM

The PYNQ-Z2 includes a Micron 256Mx16 DDR3 memory (MT41K512M16HA-125:A) creating a single rank, 16-bit wide interface with a total capacity of 512MB. The DDR3 is connected to the hard memory controller in the Processor Subsystem (PS).

The PS incorporates an AXI memory port interface, a DDR controller, the associated PHY, and a dedicated I/O bank. DDR3 memory interface supports speeds of up to 525 MHz/1050 Mbps on the PYNQ-Z2 board.

For best DDR3 performance, DRAM training is enabled for write leveling, read gate, and read data eye options in the PS Configuration Tool in the Xilinx tools. Training is done dynamically by the controller to account for board delays, process variations and thermal drift.

The PYNQ-Z2 board files (see section 2) contain the configuration for the DRAM controller which includes optimum starting values for the training process taking into account PCB and trace delays (propagation delays) for the memory signals board delays are specified for each of the byte groups. These parameters are board-specific and were calculated from the PCB trace length reports. The DQS to CLK Delay and Board Delay values are calculated specific to the PYNQ-Z2 memory interface PCB design.

7 Quad SPI Flash

The PYNQ-Z2 features a Spansion S25FL128S Quad SPI serial NOR flash.

- 16 MB
- x1, x2, and x4 support
- Bus speeds up to 104 MHz, supporting Zynq configuration rates @ 100 MHz
In Quad SPI mode, this translates to 400Mbs
- Powered from 3.3V

The Multi-I/O SPI Flash memory can be used to initialize and boot the PS subsystem as well as configure the PL subsystem, or as non-volatile code and data storage.

The SPI Flash connects to the Zynq-7000 SoC and supports the Quad SPI interface. This requires connection to MIO[1:6,8] as outlined in the Zynq datasheet.

MIO Pin	Name
1	CS
2	DQ0
3	DQ1
4	DQ2
5	DQ3
6	SCLK
7	VCFG0
8	SLCK FB

Table 1 SPI Flash MIO pin mapping

Quad-SPI feedback mode is used, thus `qspi_sclk_fb_out/MIO[8]` is left to freely toggle and is connected only to a 20K pull-up resistor to 3.3V. This allows a Quad SPI clock frequency greater than `FQSPICLK2`

8 USB Host

The PYNQ-Z2 includes a TI TUSB1210 USB 2.0 PHY with an 8-bit ULPI interface connected to the Zynq PS USB 0 controller (MIO[28-39]). The PHY features a HS-USB Physical Front-End supporting speeds of up to 480Mbps. The USB interface is configured to act as an embedded host. USB OTG and USB device modes are not supported.

One of the Zynq PS USB controllers can be connected to the appropriate MIO pins to control the USB port.

MIO Pin	Name	MIO Pin	Name
11	USB Over Current	34	DATA2
28	DATA4	35	DATA3
29	DIR	36	CLK
30	STP	37	DATA5
31	NXT	38	DATA6
32	DATA0	39	DATA7
33	DATA1	46	RESETN

Table 2 USB MIO pin mapping

9 ADAU1761 Audio Codec

The PYNQ-Z2 has an Analog Devices ADAU1761 audio codec. It allows for stereo 48KHz record and playback. Sample rates from 8KHz to 96KHz are supported. Additionally, the ADAU1761 provides digital volume control. The Codec can be configured using Analog Devices SigmaStudio™ for optimizing audio for specific acoustics, numerous filters, algorithms and enhancements. Analog Devices provides Linux drivers for this device.

http://www.analog.com/en/content/cu_over_sigmastudio_graphical_dev_tool_overview/fca.html

10 MicroSD

The PYNQ-Z2 has a MicroSD slot (SD1). An SD card can be used to boot the board, or for applications that require non-volatile external memory storage. The PS IOP controller SDIO 0 is wired to this port via MIO[40-47]. The pinout can be seen in Table 7.1. The peripheral controller supports SDIO host mode with 1-bit and 4-bit SD transfer modes. SPI mode is not supported.

The Zynq PS UART control can be connected to the appropriate MIO pins to control the MicroSD port.

MIO Pin	Name
40	CCLK
41	CMD
42	D0
43	D1
44	D2
45	D3
47	CD

Table 3 SD MIO pin mapping

The maximum clock frequency is 50 MHz which supports both low-speed and high-speed cards. A Class 4 MicroSD card or better is recommended.

11 Ethernet PHY

The PYNQ-Z2 has a Realtek RTL8211E-VL PHY supporting 10/100/1000 Ethernet. The PHY is connected to the Zynq RGMII controller. The auxiliary interrupt (INTB) and reset (PHYRSTB) signals connect to MIO pins MIO10 and MIO9, respectively.

One of the Zynq PS Ethernet controllers can be connected to the appropriate MIO pins to control the Ethernet port.

MIO Pin	Name	MIO Pin	Name
9	Ethernet Reset	25	RXD2
10	Ethernet Interrupt	26	RXD3
16	TXCK	27	RXCTL
17	TXD0	23	RXD0
18	TXD1	24	RXD1
19	TXD2	25	RXD2
20	TXD3	26	RXD3
21	TXCTL	27	RXCTL
22	RXCK	52	MDC
23	RXD0	53	MDIO
24	RXD1		

Table 4 Ethernet MIO pin mapping

The Zynq does not need to be configured for the PHY to establish a connection. After power-up the PHY starts with Auto Negotiation enabled, advertising 10/100/1000 link speeds and full duplex. The PHY will automatically establishes a link if there is an Ethernet-capable partner connected.

There are two status LEDs on the RJ-45 connector that indicate traffic activity and link status. Table 9.1 shows the default behavior.

LED	Color	Description
Link LED (Right)	Green	<ul style="list-style-type: none">● Blinking: Transmitting or Receiving
Act LED (Left)	Yellow	<ul style="list-style-type: none">● Blinking: There is activity on this port.● Off: No link is established.

Table 5 Ethernet status LEDs

Although the default power-up configuration of the PHY might be enough in most applications, the MDIO bus is available to manage the interface. The RTL8211E-VL

is assigned the 5-bit address 00001 on the MDIO bus. With simple register read and write commands, status information can be read out and the configuration can be changed. The Realtek PHY follows an industry-standard register map for basic configuration.

The PHY is clocked from the same 50 MHz oscillator that clocks the Zynq PS.

MAC address

A one-time-programmable (OTP) region of the Quad-SPI flash has been factory programmed with a 48-bit globally unique EUI-48/64™ compatible identifier. The OTP address range [0x20;0x25] contains the identifier with the first byte in transmission byte order being at the lowest address. Refer to the [Flash memory datasheet](#) for information on how to access the OTP regions. When using the PYNQ framework, Ethernet is automatically handled in the boot-loader, and the Linux system is automatically configured to use this unique MAC address.

12 MicroUSB Port

The PYNQ-Z2 includes an FTDI FT2232HL USB-UART bridge (attached to connector J8 PROG UART) that supports USB-JTAG, USB-UART. The PYNQ-Z2 can also be powered from the MicroUSB port. The USB_UART allows PC applications to communicate with the board using standard COM port commands (or the tty interface in Linux and MacOS). The Zynq PS UART 0 controller is used to connect to the UART device.

One of the Zynq PS UART controllers can be connected to the appropriate MIO pins to control the UART port.

MIO Pin	Name
14	UART Input
15	UART Output

Table 6 UART MIO pin mapping

Driver

The driver for the USB_UART should be automatically installed when the board is connected to a computer using Windows 7 or later operating system, and recent versions of Linux and MacOS.

13 HDMI ports

The PYNQ-Z2 contains two unbuffered HDMI ports connected directly to the PL. The board labels indicate one HDMI port as input and the other port as output, but as both ports are connected to PL pins, the designer can choose to use each of these ports as input or output. Both ports use HDMI type-A receptacles with the data and clock signals terminated and connected directly to the Zynq PL.

The 19-pin HDMI connectors include three differential data channels, one differential clock channel five GND connections, a one-wire Consumer Electronics Control (CEC) bus, a two-wire Display Data Channel (DDC) bus, a Hot Plug Detect (HPD) signal, a 5V signal capable of delivering up to 50mA, and one reserved (RES) pin. All non-power signals are connected to the Zynq PL with the exception of RES.

Pin/Signal	J11 (source) J18		J10 (sink)	
	Description	FPGA pin	Description	FPGA pin
D[2]_P, D[2]_N	Data output	J18, H18	Data input	N20, P20
D[1]_P, D[1]_N	Data output	K19, J19	Data input	T20, U20
D[0]_P, D[0]_N	Data output	K17, K18	Data input	V20, W20
CLK_P, CLK_N	Clock output	L16, L17	Clock input	N18, P19
CEC	Consumer Electronics Control bidirectional	G15	Consumer Electronics Control bidirectional	H17
SCL, SDA	DDC bidirectional	B9,B13	DDC bidirectional	U14, U15
HPD/HPA	Hot-plug detect input (inverted)	R19	Hot-plug assert output	T19

Table 7 HDMI pin descriptions and PL pin locations

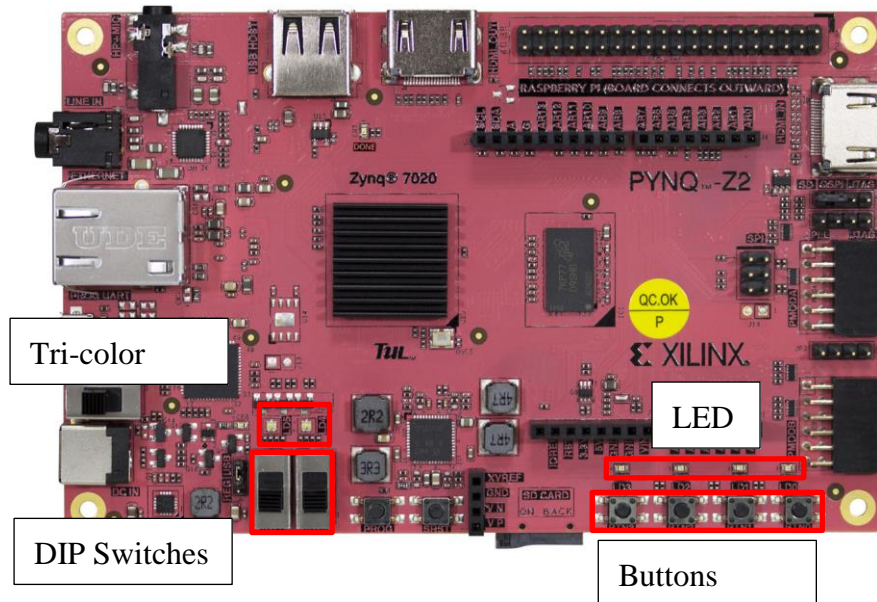
The Zynq PS I2C controller can be connected to the appropriate MIO pins to control the I2C interface to the HDMI controller.

MIO Pin	Name
50	HDMI_TX_S CL
51	HDMI_TX_S DA

Table 8 HDMI I2C MIO pin mapping

14 LEDs, Buttons, Switches

The PYNQ-Z2 board includes 2 tri-color LEDs, 2 dipswitches, 4 push buttons, and 4 individual LEDs connected to the PL.



Push-buttons

The four push buttons generate a logic high on the corresponding PL pin when pressed.

Signal Name	PL PIN
BTN0	D19
BTN1	D20
BTN2	L20
BTN3	L19

Table 9 Push Button PL pin mapping

Switches

When the switches are closed (in the “up” position) they generate a logic high on the corresponding PL pins.

Signal Name	PL PIN
SW0	M20
SW1	M19

Table 10 Dip switch PL pin mapping

LEDs

The four individual LEDs are anode-connected to the Zynq PL via 330-ohm resistors. Applying logic high to the appropriate pins will turn on the LEDs.

Signal Name	PL PIN
LED0	R14
LED1	P14
LED2	N16
LED3	M14

Table 11 LED PL pin mapping

The board also includes LEDs indicating board power, PL programming “done”, and status for USB and Ethernet.

Tri color LEDs

Each of the 2 tri-color LEDs consists of three internal Red, Blue Green LEDs. The input signals to the internal RGB LEDs are driven by the Zynq PL through a transistor, which inverts the signals.

Signal Name	PL PIN
LD4 Blue	L15
LD4 Red	N15
LD4 Green	G17
LD5 Blue	G14
LD5 Red	M15
LD5 Green	L14

Table 12 LED PL pin mapping

The tri-color LEDs are high intensity. It is recommended to use pulse-width modulation (PWM) when driving the tri-color LEDs and to aid driving the tri-color LEDs with more than a 50% duty cycle. Using PWM also allows the LED to support a wide range of colors by adjusting the duty cycle of each color.

15 Board reset signals

SRST is the external system reset. It resets the Zynq device without disturbing the debug environment. System reset erases all memory content within the PS, including the OCM. The PL is also cleared during a system reset. System reset does not cause the boot mode strapping pins to be re-sampled.

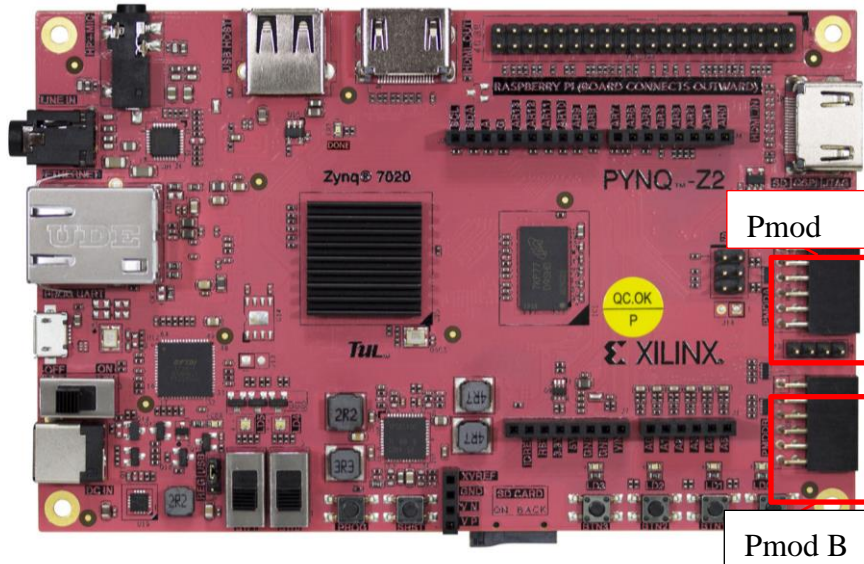
The SRST button also causes the CK_RST signal to toggle in order to trigger a reset on any attached shields.

The Zynq PS supports external power-on reset, a master reset of the whole chip. The TPS65400 power regulator drives a PGOOD signal to hold the system in reset until all power supplies are valid.

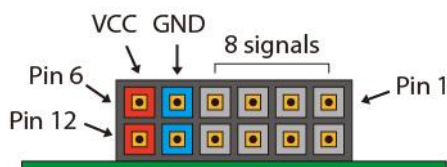
The PROG push switch, labeled PROG, enables Zynq PROG_B. This resets the PL and causes DONE to be de-asserted. The PL will remain unconfigured until it is reprogrammed by the processor or via JTAG.

16 Pmod Ports

There are 2 Pmod ports on the PYNQ-Z2, labelled A and B.



Pmod ports are 2×6, right-angle, 100-mil spaced female connectors that mate with standard 2×6 pin headers. Each 12-pin Pmod port provides two 3.3V VCC signals (pins 6 and 12), two Ground signals (pins 5 and 11), and eight logic signals, as shown in Figure 16.1.



The VCC and Ground pins can deliver up to 1A of current.

PMODA

Signal Name	Description	Pin Number	ZYNQ PIN
JA1_P	I/O	1	Y18
JA1_N	I/O	2	Y19
JA2_P	I/O	3	Y16
JA2_N	I/O	4	Y17
GND	GND	5	N/C
3V3	POWER	6	N/C
JA3_P	I/O	7	U18
JA3_N	I/O	8	U19
JA4_P	I/O	9	W18
JA4_N	I/O	10	W19
GND	GND	11	N/C
3V3	POWER	12	N/C

Table 13 Pmod A pin description and PL pin assignments

* Pmod A pins are shared with the Raspberry Pi header

PMODB

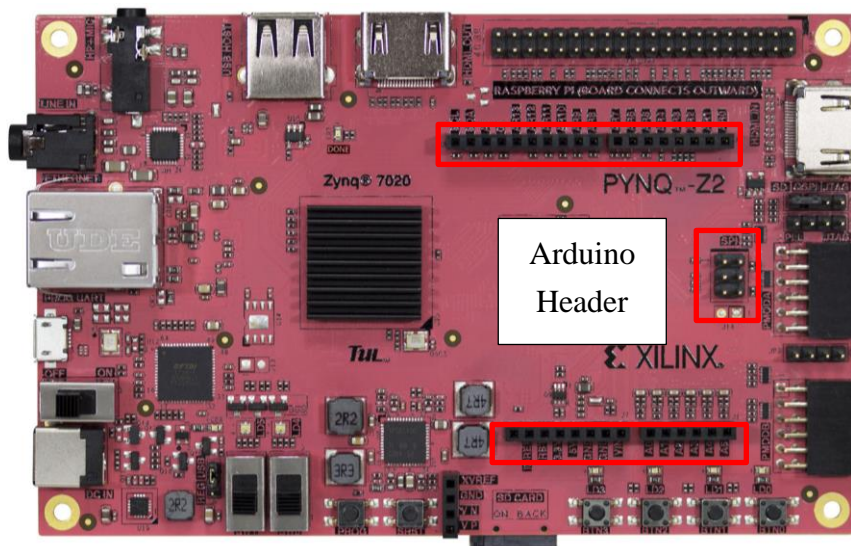
Signal Name	Description	Pin Number	ZYNQ PIN
JB1_P	I/O	1	W14
JB1_N	I/O	2	Y14
JB2_P	I/O	3	T11
JB2_N	I/O	4	T10
GND	GND	5	N/C
3V3	POWER	6	N/C
JB3_P	I/O	7	V16
JB3_N	I/O	8	W156
JB4_P	I/O	9	V12
JB4_N	I/O	10	W13
GND	GND	11	N/C
3V3	POWER	12	N/C

Table 14 Pmod B pin description and PL pin assignments

17 Arduino Shield Connector

The Arduino shield connector has 26 pins connected to the Zynq PL. The pins can be used as GPIO. Compatible Arduino shields can be connected to the PYNQ-Z2 board via this header to extended functionality. Note that as the Arduino header is connected to the PL, a design with appropriate controllers must be loaded before the Arduino header can be used. Six of the Arduino pins (labeled A0-A5) can also be used as single-ended analog inputs with an input range of 0V-3.3V, and another six (labeled AR0-AR13) can be used as differential analog inputs.

Note: The PYNQ-Z2 is not compatible with shields that output 5V digital or analog signals. Driving pins on the PYNQ-Z2 shield connector above 5V may cause damage to the Zynq.



Shield

Digital I/O

The pins connected directly to the Zynq PL can be used as general-purpose inputs/outputs. These pins include the pins labelled I2C (SCL, SDA), SPI (SS, SCL, MISO, MOSI), and general purpose I/O pins. There are 200 Ohm series resistors between the FPGA and the digital I/O pins to help provide protection against accidental short circuits. The absolute maximum and recommended operating voltages for these pins are outlined in the table below.

	Absolute Minimum Voltage	Recommended Minimum Operating Voltage	Recommended Maximum Operating Voltage	Absolute Maximum Voltage
Powered	-0.4V	-0.2V	3.4V	3.75V
Unpowered	-0.4V	N/A	N/A	0.55V

Table 15 Arduino header digital pin voltages

For more information on the electrical characteristics of the pins connected to the Zynq PL, please see the [Zynq-7000 datasheet](#) from Xilinx.

Arduino J3 pins

Signal Name	Description	Pin Number	ZYNQ PIN
AR8	I/O	1	V17
AR9	I/O	2	V18
AR10	I/O	3	T16
AR11	I/O	4	R17
AR12	I/O	5	P18
AR13	I/O	6	N17
GND	GND	7	N/C
A	I/O	8	Y13
AR_SDA	SDA	9	P16
AR_SCL	SCL	10	P15

Table 16 Arduino J3 header PL pin assignments

Arduino J4 pins

Signal Name	Description	Pin Number	ZYNQ PIN
AR0	I/O	1	T14
AR1	I/O	2	U12
AR2	I/O	3	U13
AR3	I/O	4	V13
AR4	I/O	5	V15
AR5	I/O	6	T15
AR6	I/O	7	R16
AR7	I/O	8	U17

Table 17 Arduino J4 header PL pin assignments

Arduino J7 pins

Signal Name	Description	Pin Number	ZYNQ PIN
VU_CK	POWER	1	N/C
GND	GND	2	N/C
GND	GND	3	N/C
5V5	POWER	4	N/C
3V3	POWER	5	N/C
AR_RST	RST	6	PS_MIO12_500
3V3	POWER	7	N/C
N/C	N/C	8	N/C

Table 18 Arduino J7 header pin descriptions and connections

Arduino SPI pins

Signal Name	Description	Pin Number	ZYNQ PIN
AR_MISO	MISO	1	W15
3V3	POWER	2	N/C
AR_SCK	SCK	3	H15
AR_MOSI	MOSI	4	T12
AR_SS	SS	5	F16
GND	GND	6	N/C

Table 19 Arduino SPI header pin descriptions and PL pin assignments

Shield Analog I/O (Arduino J1)

The pins labeled A0-A5 and V_P/V_N are used as analog inputs to the XADC module of the Zynq. The Zynq expects that the inputs range from 0-1 V. On the pins labeled A0-A5 we use an external circuit to scale down the input voltage from 3.3V.

Signal Name	Description	Pin Number	ZYNQ PIN
A5	I/O	1	U10
A4	I/O	2	T5
A3	I/O	3	V11
A2	I/O	4	W11
A1	I/O	5	Y12
A0	I/O	6	Y11

Table 20 Arduino J1 header analog pin descriptions and PL pin assignments

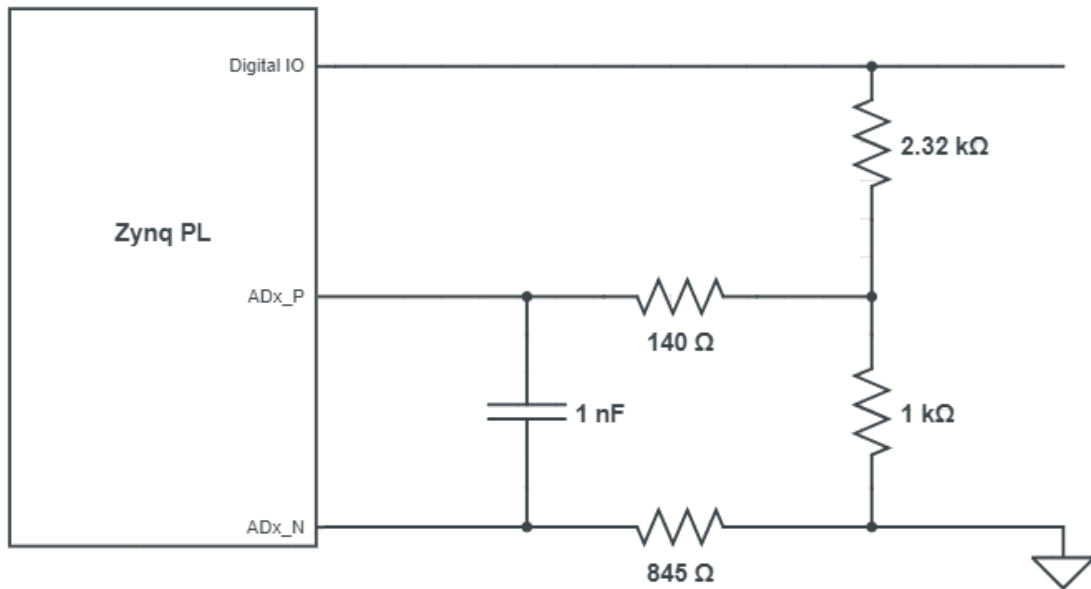


Figure 1 Single-Ended Analog Inputs

This circuit allows the XADC module to accurately measure any voltage between 0V and 3.3V (relative to the PYNQ-Z2's GND) that is applied to any of these pins.

If you wish to use the pins labeled A0-A5 as Digital inputs or outputs, they are also connected directly to the Zynq PL before the resistor divider circuit.

The pins labeled V_P and V_N are connected to the VP_0 and VN_0 dedicated analog inputs of the FPGA. This pair of pins can also be used as a differential analog input with voltage between 0-1V, but they cannot be used as Digital I/O.

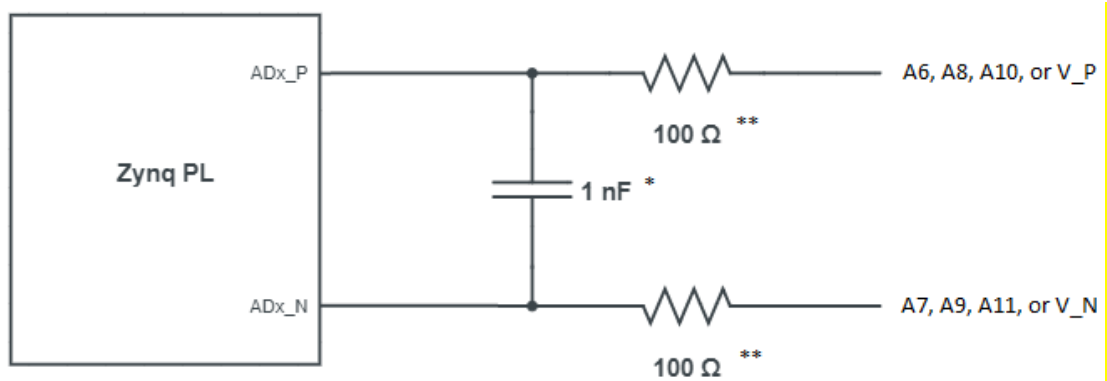


Figure 2 Differential Analog Inputs

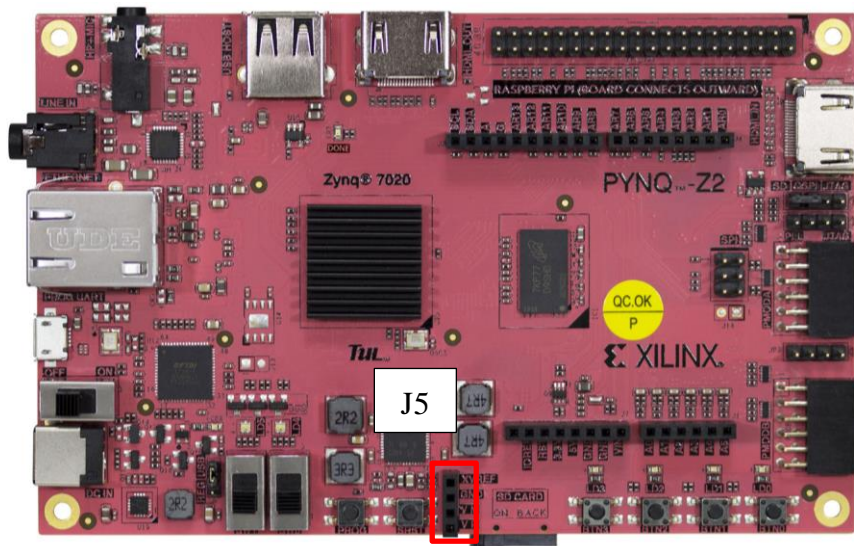
* Note that the 1nF capacitor is only loaded for V_P/VN

** For V_P/V_N, 140 Ohm resistors are used.

For more information on the XADC, see the Xilinx document titled “7 Series FPGAs

and Zynq-7000 SoC XADC Dual 12-Bit 1 MSPS Analog-to-Digital Converter”.

XADC header J5

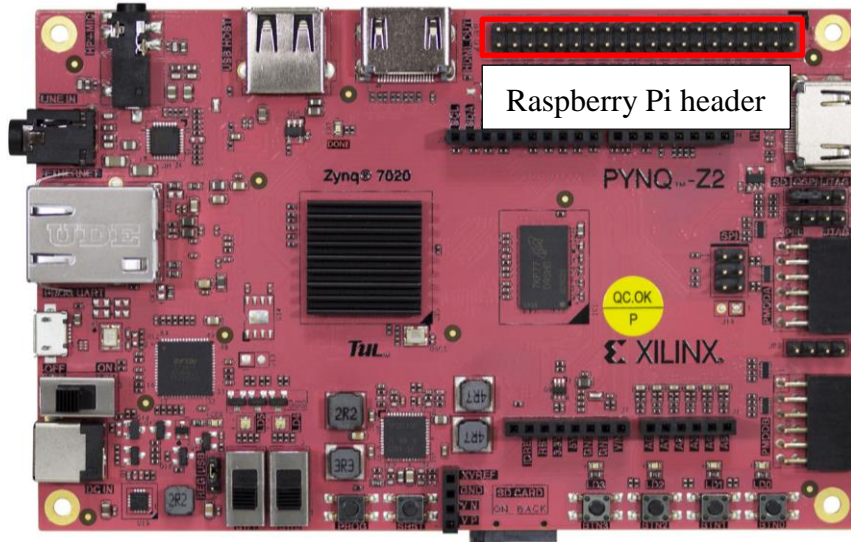


Signal Name	Description	Pin Number	ZYNQ PIN
XADC_V_P	POWER	1	VP_0
XADC_V_N	GND	2	VN_0
XADCGND	GND	3	N/C
XADCVREF	POWER	4	N/C

Table 21 J5 header XADC pin descriptions and PL pin assignments

18 Raspberry Pi Header

The PYNQ-Z2 has a 40-pin Raspberry Pi connector with 28 pins connected to the Zynq device.



These pins can be used as GPIO, or to connect a standard Raspberry Pi peripheral.

G	W9	Y8	W8	Y7	Y6	Y16	G	W10	V10	V8	V	U8	V7	U7	G	V6	W19	W18	G
39	37	35	33	31	29	27	25	23	21	19	17	15	13	11	9	7	5	3	1
40	38	36	34	32	30	28	26	24	22	20	18	16	14	12	10	8	6	4	2
Y9	A20	B19	G	B20	G	Y17	F20	F19	U19	G	U18	W6	G	C20	Y19	Y18	G	V	V

G	Ground
V	3.3V
V	5V
...	Raspberry Pi header pin number
...	Zynq Pin

Table 22 Raspberry Pi header pin layout and Zynq PL pin assignments

19 References

PYNQ-Z2 schematics:

http://www.tul.com.tw/download/TUL_PYNQ%20Schematic_R12.pdf

UG585 Zynq TRM

https://www.xilinx.com/support/documentation/user_guides/ug585-Zynq-7000-TRM.pdf

UG472 7 Series FPGAs Clocking Resources User Guide

https://www.xilinx.com/support/documentation/user_guides/ug472_7Series_Clocking.pdf

X-ON Electronics

Largest Supplier of Electrical and Electronic Components

Click to view similar products for [Development Boards & Kits - PIC/DSPIC category](#):

Click to view products by [Xilinx manufacturer](#):

Other Similar products are found below :

[LSD4NBT-B208000001](#) [DV330021](#) [SC70EV](#) [AFM201T-EVB](#) [AFM201T-EVBPCB](#) [AFW121T-EVBPCB](#) [A9](#) [ECC191953EU](#)
[STM32F103ZET6](#) [RX0227](#) [M5S-AIV03010A3](#) [ZD-MIO-UNO-KIT](#) [ECC577448EU](#) [EPM1002](#) [ESP32-Audio-Kit](#) [ESP32-PICO-KIT](#)
[ECC383116EU](#) [GD32VF103C-START](#) [DM163030](#) [GPIODM-KPLCD](#) [MCP3422EV](#) [MCP3423EV](#) [PIC16F690DM-PCTLHS](#) [TDGL021-2](#)
[MIKROE-2638](#) [MIKROE-2646](#) [MIKROE-2649](#) [MIKROE-2652](#) [MIKROE-1153](#) [MIKROE-1159](#) [MIKROE-1160](#) [MIKROE-1189](#) [MIKROE-](#)
[1684](#) [MIKROE-1717](#) [MIKROE-608](#) [MKSD-Pinboard](#) [NODEMCU](#) [PIC-MT-USB](#) [ECC187854EU](#) [TENS-NS4 DB1](#) [USR-GPRS232-7X-](#)
[EVK](#) [W600_EVB_V2.0](#) [WT32-SC01](#)