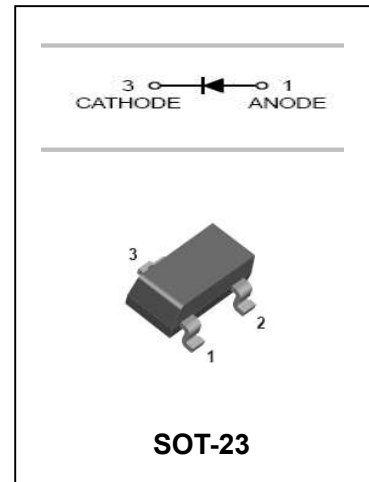


## Surface mount switching diode

## MMBD4148

### FEATURES

- Fast switching speed.
- High conductance.
- For general purpose switching applications.
- Surface mount package ideally suited for automatic insertion.



### APPLICATIONS

- Small signal switching.

### ORDERING INFORMATION

Type No.	Marking	Package Code
MMBD4148□	KA2	SOT-23

□: none is for Lead Free package;  
“G” is for Halogen Free package.

### MAXIMUM RATING @ Ta=25°C unless otherwise specified

Parameter	Symbol	Limits	Unit
Peak Repetitive Peak reverse voltage	$V_{RRM}$	75	V
Working Peak Reverse Voltage	$V_{RWM}$		
DC Reverse Voltage	$V_R$		
Non-repetitive peak reverse voltage	$V_{RM}$	100	V
RMS Reverse voltage	$V_{R(RMS)}$	53	V
Average rectified output Current	$I_o$	150	mA
Non-repetitive peak forward surge Current	$I_{FSM}$	2.0	A
@t=1.0μs		1.0	
@t=1.0s			
Power Dissipation	$P_d$	350	mW
Thermal resistance junction to ambient air	$R_{\theta JA}$	375	°C/W
Operating and storage temperature range	$T_j, T_{STG}$	-65 to 150	°C

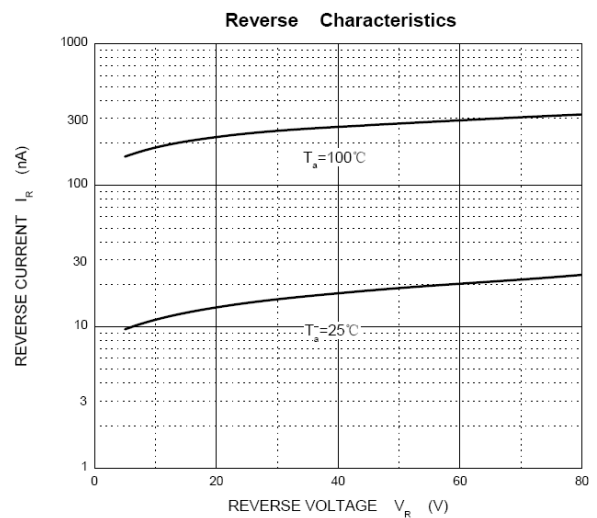
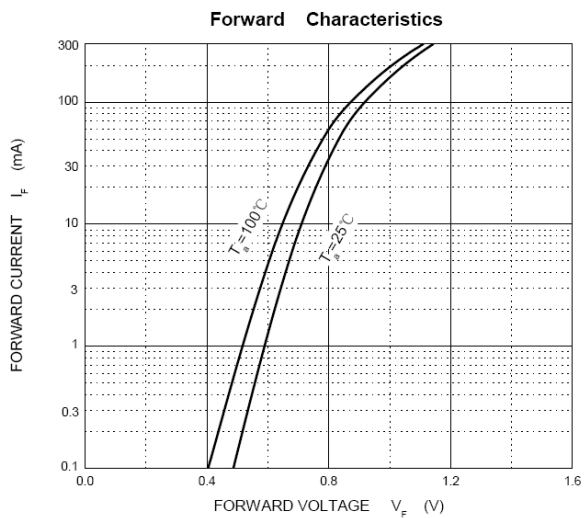
Surface mount switching diode

**MMBD4148**

**ELECTRICAL CHARACTERISTICS @ Ta=25°C unless otherwise specified**

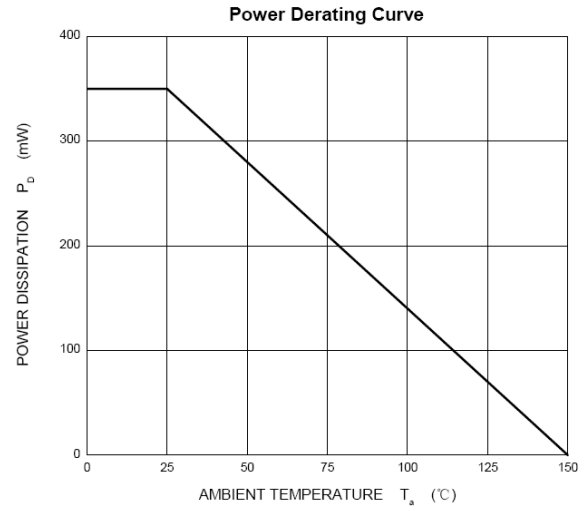
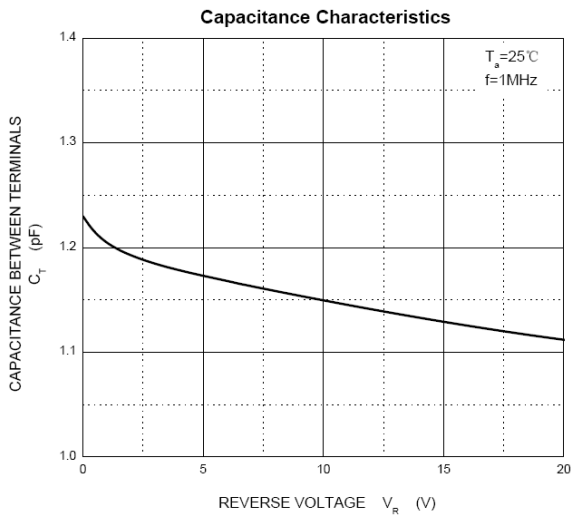
Parameter	Symbol	Min.	Typ.	Max.	Unit	Conditions
Reverse breakdown voltage	$V_{R(BR)}$	75				$I_R=100\mu A$
Maximum Forward voltage	$V_{FM}$			0.715 0.855 1.0 1.25	V	$I_F=1.0mA$ $I_F=10mA$ $I_F=50mA$ $I_F=150mA$
Reverse current	$I_{R1}$			2.5	$\mu A$	$V_R=75V$
	$I_{R2}$			25	nA	$V_R=20V$
Junction Capacitance	$C_j$			2	pF	$V_R=0V, f=1MHz$
Reverse Recovery Time	$t_{rr}$			4	ns	$I_F=I_R=10mA, I_{rr}=0.1 \cdot I_R, R_L=100\Omega$

**TYPICAL CHARACTERISTICS @ Ta=25°C unless otherwise specified**



Surface mount switching diode

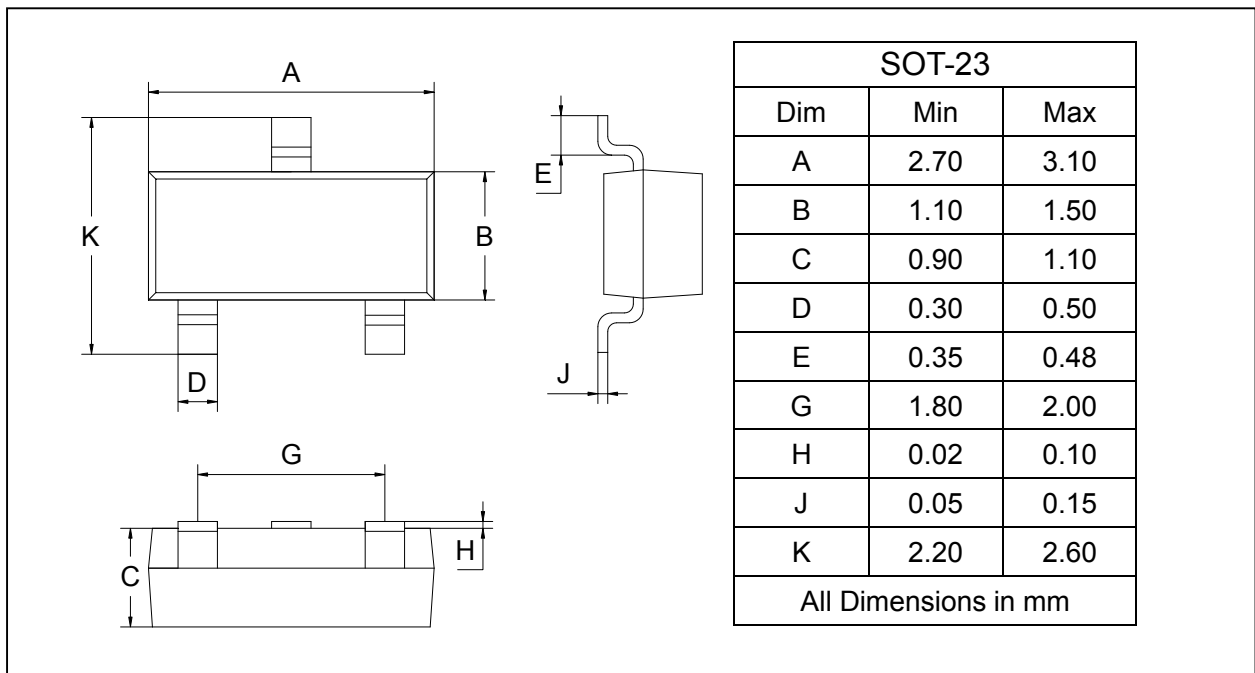
**MMBD4148**



**PACKAGE OUTLINE**

Plastic surface mounted package

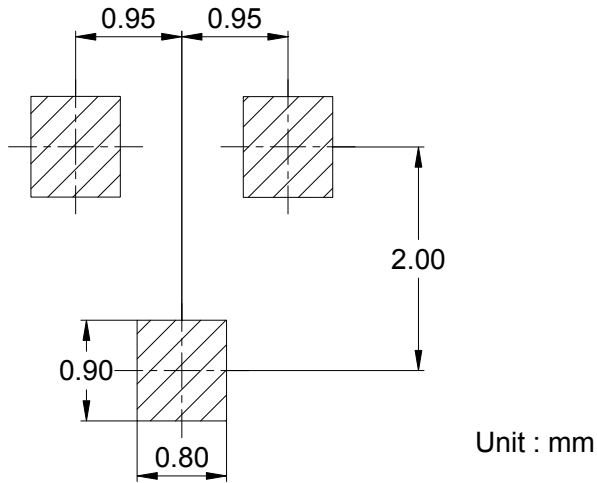
SOT-23



Surface mount switching diode

**MMBD4148**

**SOLDERING FOOTPRINT**



**PACKAGE INFORMATION**

Device	Package	Shipping
MMBD4148	SOT-23	3000/Tape&Reel

## X-ON Electronics

Largest Supplier of Electrical and Electronic Components

*Click to view similar products for [Diodes - General Purpose, Power, Switching category](#):*

*Click to view products by [Galaxy manufacturer](#):*

Other Similar products are found below :

[MCL4151-TR3](#) [MMBD3004S-13-F](#) [RD0306T-H](#) [RD0506LS-SB-1H](#) [RGP30G-E373](#) [DSE010-TR-E](#) [BAQ333-TR](#) [BAQ335-TR](#) [BAQ33-GS18](#) [BAS1602VH6327XT](#) [BAV17-TR](#) [BAV19-TR](#) [BAV301-TR](#) [BAW27-TAP](#) [HSC285TRF-E](#) [NSVBAV23CLT1G](#) [NTE525](#) [1SS181-TP](#) [1SS184-TP](#) [1SS193,LF](#) [1SS193-TP](#) [1SS400CST2RA](#) [SBAV99LT3G](#) [SDAA13](#) [LL4448-GS18](#) [SHN2D02FUTW1T1G](#) [LS4150GS18](#) [LS4151GS08](#) [SMMD7000LT3G](#) [FC903-TR-E](#) [1N4449](#) [1N4934-E3/73](#) [1SS226-TP](#) [APT100DL60HJ](#) [RFUH20TB3S](#) [RGP30G-E354](#) [RGP30M-E3/73](#) [D291S45T](#) [MCL4151-TR](#) [BAS 16-02V H6327](#) [BAS 21U E6327](#) [BAS 28 E6327](#) [BAS33-TAP](#) [BAS 70-02V H6327](#) [BAV300-TR](#) [BAV303-TR3](#) [BAW27-TR](#) [BAW56DWQ-7-F](#) [BAW56M3T5G](#) [BAW75-TAP](#)