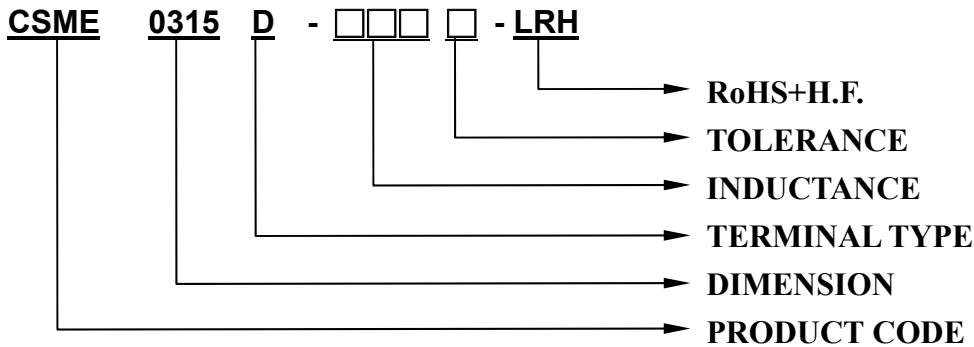
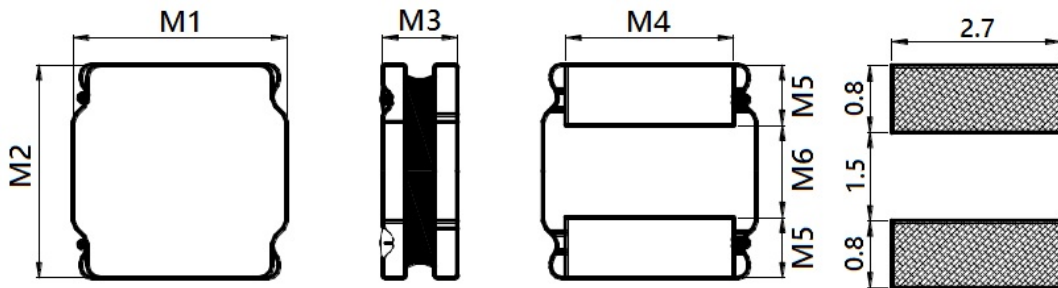


※ This is a RoHS and REACH compliant product whose related documents are available on request.
 ※ Graphic is only for dimensionally application.

1. PART NUMBER IDENTIFICATION



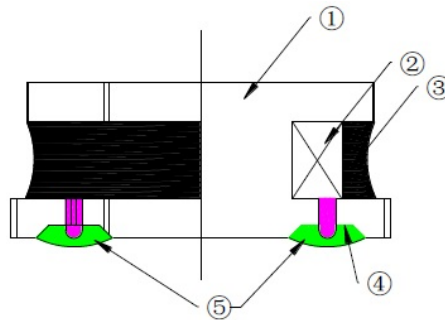
2. MECHANICAL DIMENSION



UNIT : mm

	DIM.	TOL.
M1	3.0	±0.2
M2	3.0	±0.2
M3	1.5	MAX.
M4	2.7	±0.2
M5	0.75	±0.2
M6	1.5	±0.2

3. STRUCTURE



4. MATERIAL LIST

NO	PARTS	MATERIAL
1	DRUM CORE	Ni-Zn FERRITE CORE
2	WIRE	POLYURETHANE ENAMELED COPPER WIRE
3	ADHESIVE	EPOXY RESIN MAGNETIC POWDER
4	PLATING ELECTRODES	PLATING: Ag 10-20 um Ni 1-3 um Sn 3-7 um
5	OUTER ELECTRODES	TOP SURFACE SOLDER COATING Sn99%、Ag0.3%、Cu0.7%

5. ELECTRICAL CHARACTERISTICS

Part Number.	Inductance (uH)	DCR (mΩ) ±30%	Isat (A) MAX.	Irise (A) MAX.
CSME0315D-1R0N-LRH	1.0	30	2.10	2.10
CSME0315D-1R5N-LRH	1.5	38	1.80	1.82
CSME0315D-2R2M-LRH	2.2	58	1.48	1.50
CSME0315D-3R3M-LRH	3.3	78	1.21	1.23
CSME0315D-4R7M-LRH	4.7	120	1.02	1.04
CSME0315D-6R8M-LRH	6.8	160	0.87	0.88
CSME0315D-100M-LRH	10	220	0.70	0.71
CSME0315D-220M-LRH	22	520	0.47	0.47

□ TOLERANCE : M:±20%、N:±30%

※ INDUCTANCE : @100KHz,0.25V

※ TEST MACHINE : HIOKI3532-50 OR EQUIVALENT

※ DC RESISTANCE : HIOKI 3540 OR EQUIVALENT

※ ISAT / IRISE : HP4284+42841A OR EQUIVALENT

※ OPERATING TEMPERATURE : -40°C ~ +125°C.

※ INDUCTANCE DROPS NO MORE THAN 30% OF INITIAL VALUE AT ISAT.

※ TEMPERATURE RISES : $\Delta t < 40^{\circ}\text{C}$ AT IRMS.

※ MSL : LEVEL 1.

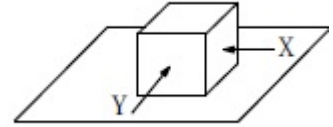
6. RELIABILITY PERFORMANCE

6-1.Storage Temperature range : $-40^{\circ}\text{C} \sim +105^{\circ}\text{C}$

6-2.Operating temperature range : $-40^{\circ}\text{C} \sim +125^{\circ}\text{C}$ (Including coil's self temperature rise)

6-3.External appearance : No external defects can be found in the visual inspection.

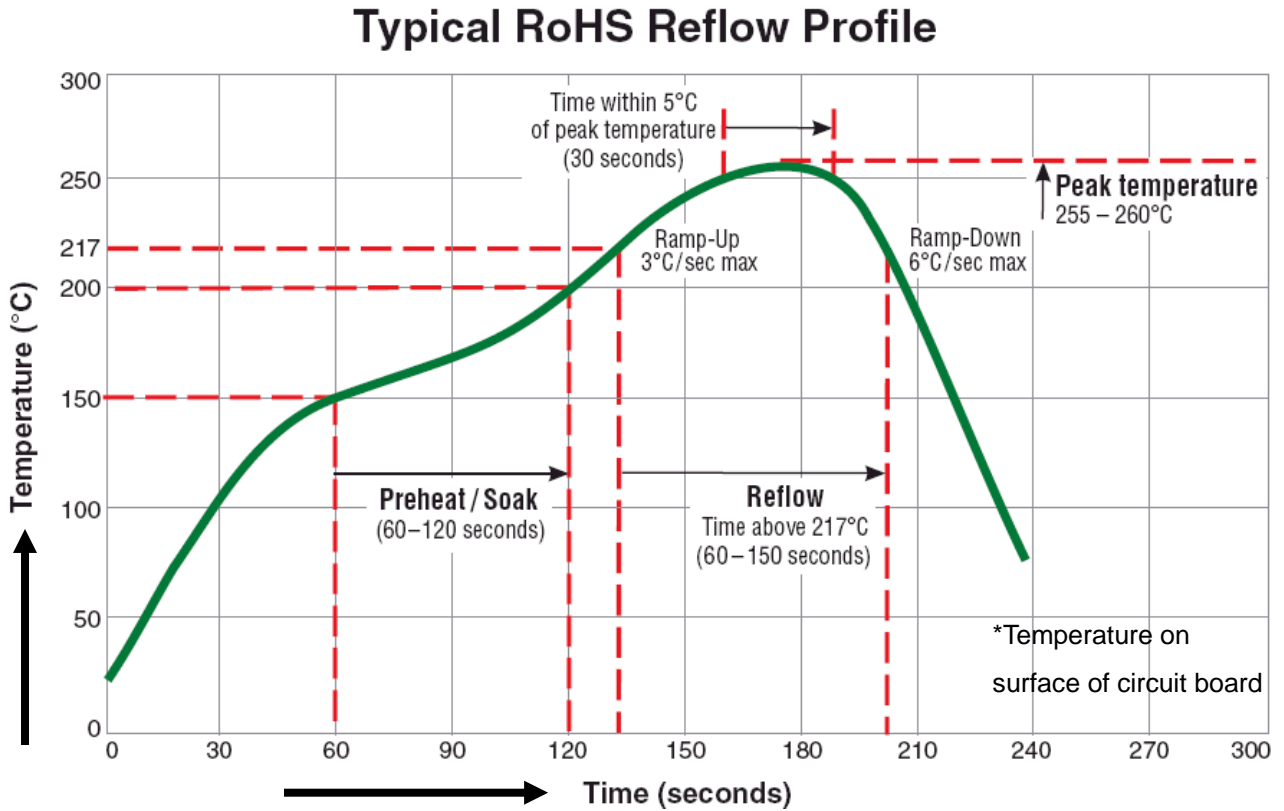
6-4.Electrode strength : No electrode detachment should be found when the device is pushed in two directions of X and Y with the force of 10.0N for 60 ± 2 seconds after soldering between copper plate and the electrodes. (Refer to figure at right)



6-5.Vibration test : Inductance deviation is within $\pm 10.0\%$ after 1 hour sweeping vibration in each three directions, namely, forward and backward, up and down, right and left. The frequency is $10 \sim 55 \sim 10\text{Hz}$ and the amplitude of 1 minute cycle is 1.5mm PP.

6-6.Humidity test : Inductance deviation is within $\pm 5.0\%$ after 96 ± 4 hours test under the condition of relative humidity of $90 \sim 95\%$ and temperature of $60 \pm 2^{\circ}\text{C}$, and 1 hour storage under room ambient conditions after the device is wiped with dry cloth.

7. TYPICAL RoHS REFLOW PROFILE



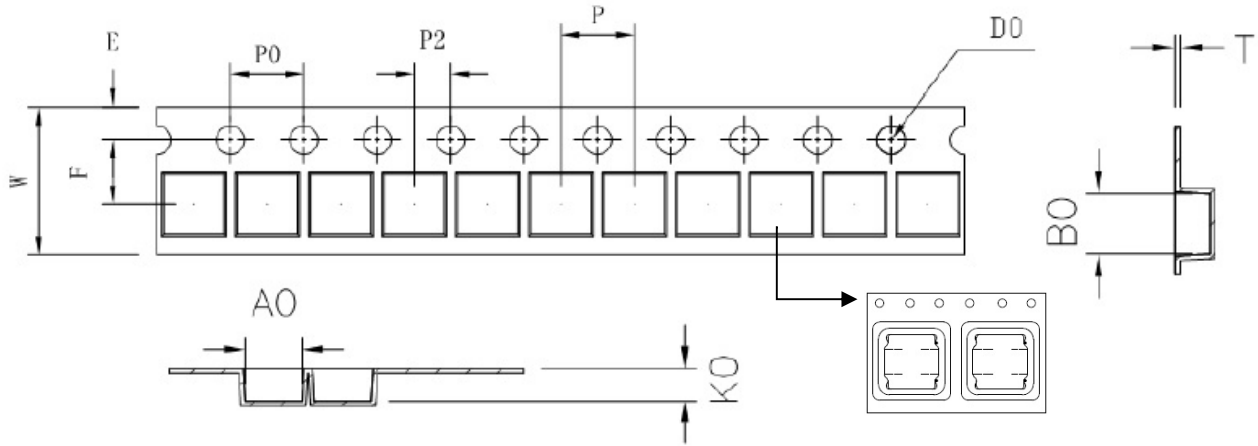
The products may be exposed to reflow soldering process of above profile up to two times.

8. PACKAGING

8-1 OUTER PACKING

2 KPCS/REEL;20 KPCS/INNER BOX;80 KPCS/OUTER BOX

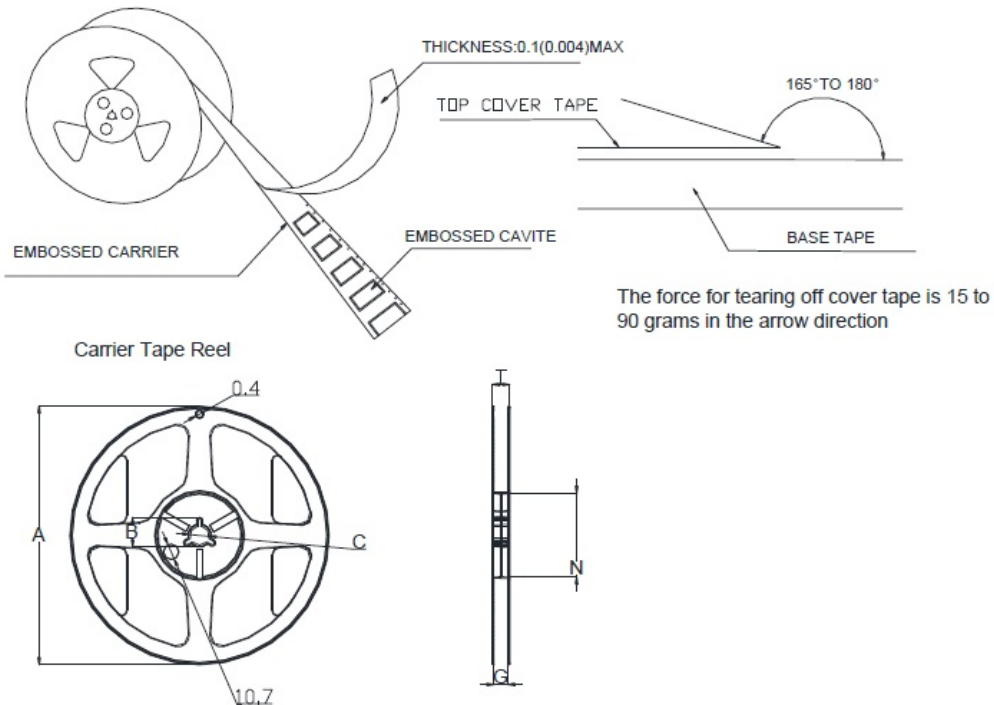
8-2 CARRIER TAPE DIMENSIONS



UNIT : mm

ITEM	W	P	F	E	D0	P0	P2	T	A0	B0	K0
DIM	8.00	4.00	3.50	1.75	1.50	4.00	2.00	0.25	3.3	3.3	1.9
TOLE	±0.3	±0.1	±0.05	±0.1	+0.1	±0.1	±0.05	±0.05	±0.05	±0.05	±0.05

8-3 CARRIER REEL DIMENSIONS



UNIT : mm

Type	A	B	C	G	N	T
8mm	178	20±0.8	13±0.4	9	60	10.8

X-ON Electronics

Largest Supplier of Electrical and Electronic Components

Click to view similar products for [Fixed Inductors](#) category:

Click to view products by [Prosperity](#) manufacturer:

Other Similar products are found below :

[MLZ1608M6R8WTD25](#) [MLZ1608N6R8LT000](#) [MLZ1608N3R3LTD25](#) [MLZ1608N3R3LT000](#) [MLZ1608N150LT000](#)
[MLZ1608M150WTD25](#) [MLZ1608M3R3WTD25](#) [MLZ1608M3R3WT000](#) [MLZ1608M150WT000](#) [MLZ1608A1R5WT000](#)
[MLZ1608N1R5LT000](#) [B82432C1333K000](#) [PCMB053T-1R0MS](#) [PCMB053T-1R5MS](#) [PCMB104T-1R5MS](#) [CR32NP-100KC](#) [CR32NP-151KC](#) [CR32NP-180KC](#) [CR32NP-181KC](#) [CR32NP-1R5MC](#) [CR32NP-390KC](#) [CR32NP-3R9MC](#) [CR32NP-680KC](#) [CR32NP-820KC](#)
[CR32NP-8R2MC](#) [CR43NP-390KC](#) [CR43NP-560KC](#) [CR43NP-680KC](#) [CR54NP-181KC](#) [CR54NP-470LC](#) [CR54NP-820KC](#) [CR54NP-8R5MC](#)
[MGDQ4-00004-P](#) [MGDU1-00016-P](#) [MHL1ECTTP18NJ](#) [MHL1JCTTD12NJ](#) [PE-51506NL](#) [PE-53601NL](#) [PE-53630NL](#) [PE-53824SNLT](#) [PE-62892NL](#) [PE-92100NL](#) [PG0434.801NLT](#) [PG0936.113NLT](#) [PM06-2N7](#) [PM06-39NJ](#) [HC2LP-R47-R](#) [HC2-R47-R](#) [HC3-2R2-R](#) [HC8-1R2-R](#)