

**SPECIFICATIONS**

Rated(额定参数): 300V,8A  
 Dielectric strength(抗电强度): AC1500V/1 Minute  
 Insulation Resistance(绝缘电阻):1000MΩ Min  
 Contact Resistance(接触电阻):20mΩ Max  
 Screw Torque(扭矩): 0.2Nm (1.7Lb.in)  
 Wire Range(线径):28~16AWG  
 Strip length(剥线长度):6~7mm  
 Temp. range(操作温度): -40℃~+105℃  
 MAX Soldering(瞬时温度):+250℃,5s

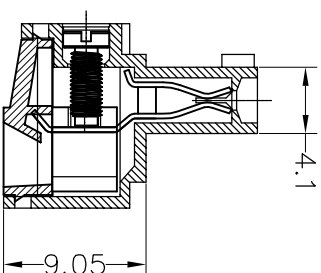
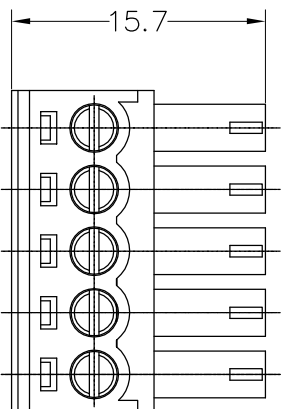
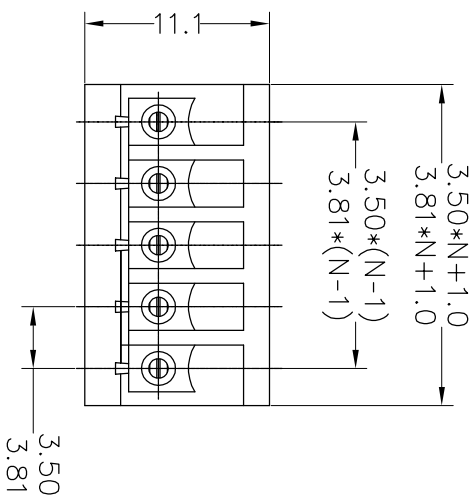
Housing Material(塑件): PA66 (UL94 V-0)  
 Contact(端子): Phosphor Bronze, Tin plating(磷铜镀锡)  
 Clamp(方块): Brass(黄铜), Ni plating(镀镍)  
 Screw (螺丝): M2.0 Steel, Zinc plating(钢,镀锌)

	PITCH RANGE		NOMINAL DIMENSION RANGE					
	IN MM		IN MM		IN MM		IN MM	
TO	OVER	OVER	TO	OVER	TO	OVER	TO	OVER
6	10	10	30	60	60	100	100	150
10	24	24	30	60	100	150	150	150
±0.10	±0.15	±0.25	±0.30	±0.30	±0.50	±0.70	±1.00	±1.00

**Ordering Information**

**JL15EDGK-XXX XX G X 1**

Pitch  
 350=3.5PH  
 381=3.81PH  
 No.of pins  
 2P,3P,4P~24P  
 Housing Color  
 B=Black  
 G=Green  
 U=Blue  
 R=Red  
 W=White  
 Y=Yellow  
 O=Orange  
 E=Grey  
 Packing  
 0=Pe  
 bag  
 A=Troy



		OPERATION		DRAW		BEN		SCALE		FIT		PART NO.	
		XX	±0.30	CHECK		17.01.05		UNIT	mm	A4	1/1	JL15EDGK-XXXXGX1	
A0	2017.01.05	X:XX	±0.20	CHECK		17.01.05		SIZE	A4	SHEET	1/1	3.50/3.81 Pitch Female	
REV	DATE	X:XXX		Angle	±3°	APPROVE		PROU.				Pluggable Terminal Blocks	
1		CHANGE		DIM		TOL		APPROVE		TITLE:		3.50/3.81 Pitch Female	
2		MODIFICATION DESCRIPTION		DRAW		BEN		SCALE		FIT		PART NO.	
3				CHECK		17.01.05		UNIT		mm		JL15EDGK-XXXXGX1	
4				APPROVE				SIZE		A4		3.50/3.81 Pitch Female	
5				DRAW		17.01.05		UNIT		mm		JL15EDGK-XXXXGX1	
6				CHECK		17.01.05		SIZE		A4		3.50/3.81 Pitch Female	
7				APPROVE				PROU.				Pluggable Terminal Blocks	
8				DRAW		17.01.05		UNIT		mm		JL15EDGK-XXXXGX1	
9				CHECK		17.01.05		SIZE		A4		3.50/3.81 Pitch Female	



深圳市锦凌电子有限公司  
 SHENZHEN JINLING ELECTRONIC CO.,LTD  
 Tel: 86-755-2997-5806/5802 Fax: 86-755-2997-5992

## X-ON Electronics

Largest Supplier of Electrical and Electronic Components

*Click to view similar products for [Pluggable Terminal Blocks](#) category:*

*Click to view products by [JILN](#) manufacturer:*

Other Similar products are found below :

[57.404.7553](#) [57.504.0053.7](#) [57.510.0053](#) [57.910.6153](#) [01.112.1453](#) [CTB932VE/6](#) [MC 1.5/ 6-ST-3.5 GY AU](#) [ET02015000J0G](#) [734-104](#) [734-302](#) [734-304](#) [8-141-P](#) [FKCT 2.5/ 3-ST KMGY](#) [860505](#) [860508](#) [860516](#) [860810](#) [861908](#) [GBPACX-12](#) [93.731.4953.0](#) [PV05-5,08-K](#) [PVP02-5,00](#) [PVP04-3,50](#) [PVS02-5,00](#) [1-1986160-3](#) [H-10](#) [1546228-5](#) [ELFH09150](#) [ELFH16150](#) [ELFP03110](#) [ELFT06250](#) [ELFT07250](#) [ELVF09400](#) [ELVP03100](#) [ELXH03100](#) [ELXH071G0E](#) [ELXP041G0](#) [ELXT046G0](#) [1700101](#) [1700410](#) [1700425](#) [1703176](#) [1703243](#) [1705229](#) [1710175](#) [1714537](#) [1717806](#) [1719600](#) [1728941](#) [1729386](#)