

Rev A

Change Description
初版发行

Date 2012/11/22

Rev/Rev 1.0P1
制/修订人 Allan

Rev (版本):
1.0P1

Project View (投影规则):
0.000 ±0.005 0°/00 ±1°

Scale (比例):
1:1

Unit (单位):
0.0 ±0.15 0° ±5°

Product Name (产品名称):
0.5Pitch H=1.5 FPC Easy-on R/A D/C Type1 SMT CONN

Product No (产品料号):
AFC30-S***F***

Designer (设计):
Allan 11/22/12

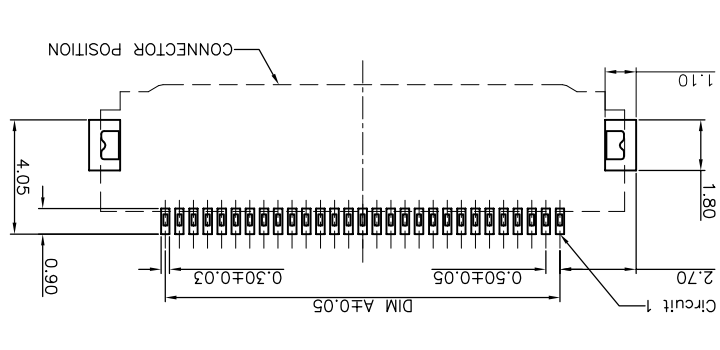
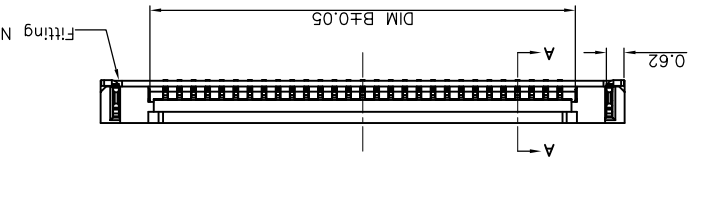
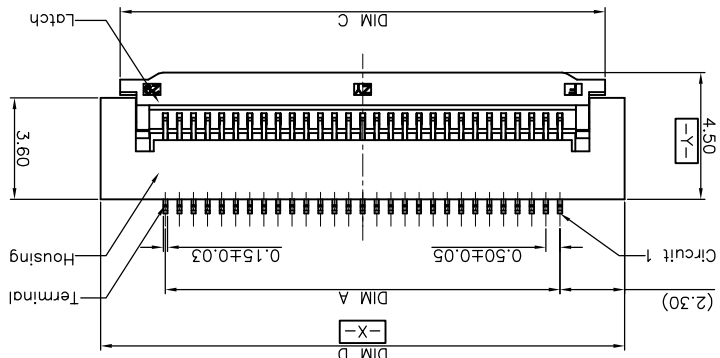
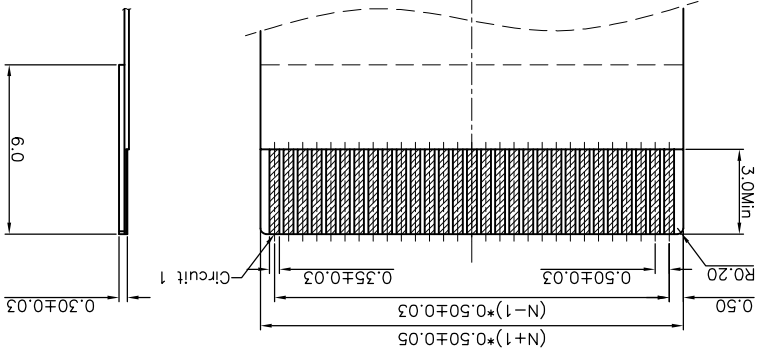
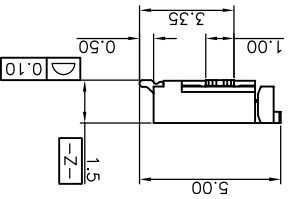
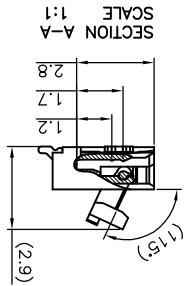
Checked (审核):
Approved (核准):

CUSTOMER DRAWING

深圳市钜硕电子有限公司

CCTS	DTM A	DTM B	DTM C	DTM D
19	9.00	10.10	12.20	13.60
18	8.50	9.60	11.70	13.10
17	8.00	9.10	11.20	12.60
16	7.50	8.60	10.70	12.10
15	7.00	8.10	10.20	11.60
14	6.50	7.60	9.70	11.10
13	6.00	7.10	9.20	10.60
12	5.50	6.60	8.70	10.10
11	5.00	6.10	8.20	9.60
10	4.50	5.60	7.70	9.10
9	4.00	5.10	7.20	8.60
8	3.50	4.60	6.70	8.10
7	3.00	4.10	6.20	7.60
6	2.50	3.60	5.70	7.10
5	2.00	3.10	5.20	6.60
4	1.50	2.60	4.70	6.10
3	1.00	2.10	4.20	5.60
2	0.50	1.60	3.70	5.10
1	0.00	1.10	3.20	4.60
20	9.50	10.60	12.70	14.10
19	9.00	10.10	12.20	13.60
18	8.50	9.60	11.70	13.10
17	8.00	9.10	11.20	12.60
16	7.50	8.60	10.70	12.10
15	7.00	8.10	10.20	11.60
14	6.50	7.60	9.70	11.10
13	6.00	7.10	9.20	10.60
12	5.50	6.60	8.70	10.10
11	5.00	6.10	8.20	9.60
10	4.50	5.60	7.70	9.10
9	4.00	5.10	7.20	8.60
8	3.50	4.60	6.70	8.10
7	3.00	4.10	6.20	7.60
6	2.50	3.60	5.70	7.10
5	2.00	3.10	5.20	6.60
4	1.50	2.60	4.70	6.10
3	1.00	2.10	4.20	5.60
2	0.50	1.60	3.70	5.10
1	0.00	1.10	3.20	4.60
20	9.50	10.60	12.70	14.10
19	9.00	10.10	12.20	13.60
18	8.50	9.60	11.70	13.10
17	8.00	9.10	11.20	12.60
16	7.50	8.60	10.70	12.10
15	7.00	8.10	10.20	11.60
14	6.50	7.60	9.70	11.10
13	6.00	7.10	9.20	10.60
12	5.50	6.60	8.70	10.10
11	5.00	6.10	8.20	9.60
10	4.50	5.60	7.70	9.10
9	4.00	5.10	7.20	8.60
8	3.50	4.60	6.70	8.10
7	3.00	4.10	6.20	7.60
6	2.50	3.60	5.70	7.10
5	2.00	3.10	5.20	6.60
4	1.50	2.60	4.70	6.10
3	1.00	2.10	4.20	5.60
2	0.50	1.60	3.70	5.10
1	0.00	1.10	3.20	4.60
20	9.50	10.60	12.70	14.10
19	9.00	10.10	12.20	13.60
18	8.50	9.60	11.70	13.10
17	8.00	9.10	11.20	12.60
16	7.50	8.60	10.70	12.10
15	7.00	8.10	10.20	11.60
14	6.50	7.60	9.70	11.10
13	6.00	7.10	9.20	10.60
12	5.50	6.60	8.70	10.10
11	5.00	6.10	8.20	9.60
10	4.50	5.60	7.70	9.10
9	4.00	5.10	7.20	8.60
8	3.50	4.60	6.70	8.10
7	3.00	4.10	6.20	7.60
6	2.50	3.60	5.70	7.10
5	2.00	3.10	5.20	6.60
4	1.50	2.60	4.70	6.10
3	1.00	2.10	4.20	5.60
2	0.50	1.60	3.70	5.10
1	0.00	1.10	3.20	4.60

- Note:
- Material: 1.1 Housing: thermoplastic high temp.UL94V-0; Color: natural. 1.2 Latch: thermoplastic high temp.UL94V-0; Color: black. 1.3 Terminal: copper alloy. 1.4 Fitting Nail: copper alloy. 2. Finish: 2.1 Terminal: Underplating: Au/matt Tin overall. 2.2 Fitting Nail: Underplating: matt Tin overall.
 - Product No: AFC30-S** H * A - 00
 - CONTACTS TYPE: HF:Halogen free
 - REMARKS: REMARKS
 - PACKING: A:Top&Reel C:TUBE



X-ON Electronics

Largest Supplier of Electrical and Electronic Components

Click to view similar products for [FFC & FPC Connectors](#) category:

Click to view products by [JUSHUO](#) manufacturer:

Other Similar products are found below :

[HFW11R-1STE1H1LF](#) [FH29B-100S-0.2SHW\(99\)](#) [FA5S008HP1](#) [FH29B-120S-0.2SHW\(99\)](#) [FH29B-80S-0.2SHW\(99\)](#) [FHS-16](#) [FPH-2022G](#)
[52610-1075](#) [52610-1275](#) [52610-1934](#) [XF3M\(1\)-1415-1B-R100](#) [501864-3091-TR225](#) [0525594033](#) [086210010340800](#) [086222026001800](#)
[52271-2869-CUT-TAPE](#) [62674-201121DLF](#) [62684-36210E9ALF](#) [52610-1675](#) [52746-1671-TR250](#) [10051922-2810EHLF](#) [6-520415-9](#)
[BD021-09A-A1-0350-0200-0550-LD](#) [SFV6R-1STE9HLF](#) [XF3M-2915-1B-R100](#) [1658549-1](#) [62674-221121ALF](#) [46214008010800](#)
[046298003000883](#) [151660622](#) [842-816-2630-035](#) [AYF530665TA](#) [AYF351525](#) [046296011930846+](#) [AYF352325A](#) [046254020000800+](#)
[FH19C-13S-0.5SH\(99\)](#) [FH39J-51S-0.3SHW\(99\)](#) [AYF355125A](#) [AYF530365TA](#) [FH29B-44S-0.2SHW\(99\)](#) [SFW5R-2STAE9LF](#) [AYF351125A](#)
[AYF350725A](#) [62684-502100AHLF](#) [FH39-61S-0.3SHW\(99\)](#) [AYF414035A](#) [10064555-172520HLF](#) [AYF212335A](#) [504754-2500](#)