

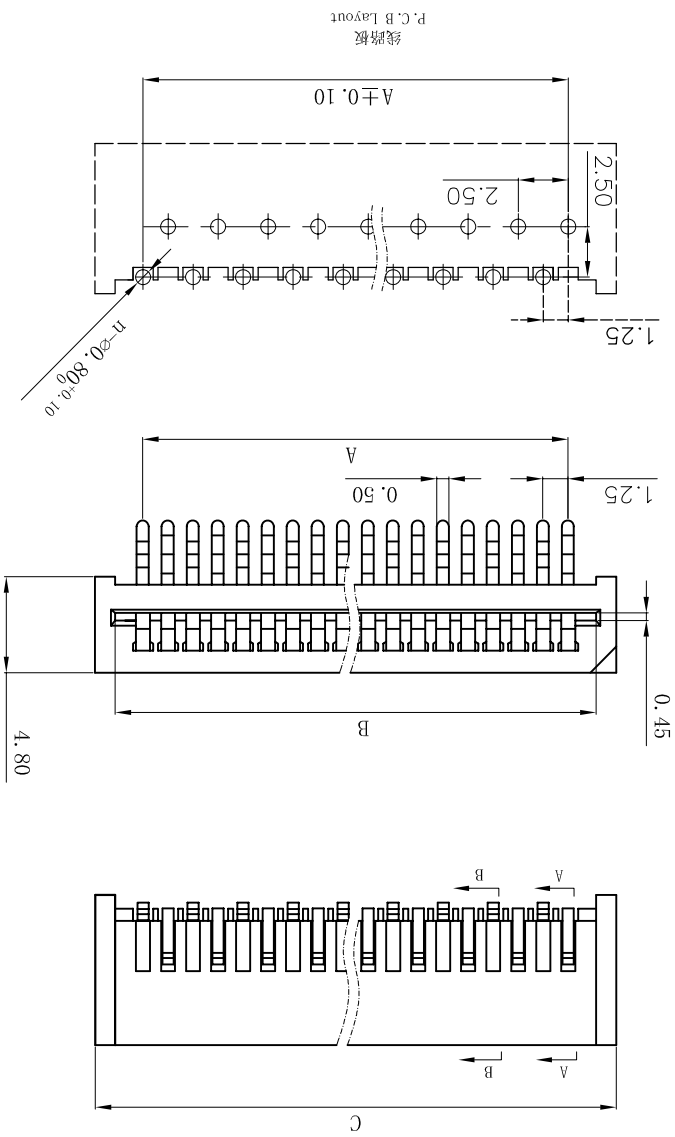
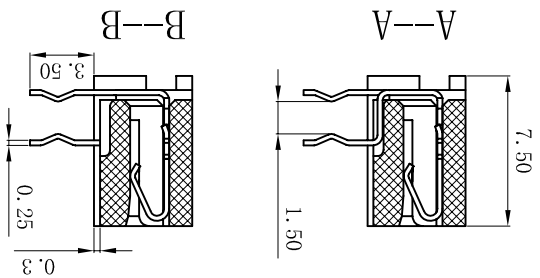
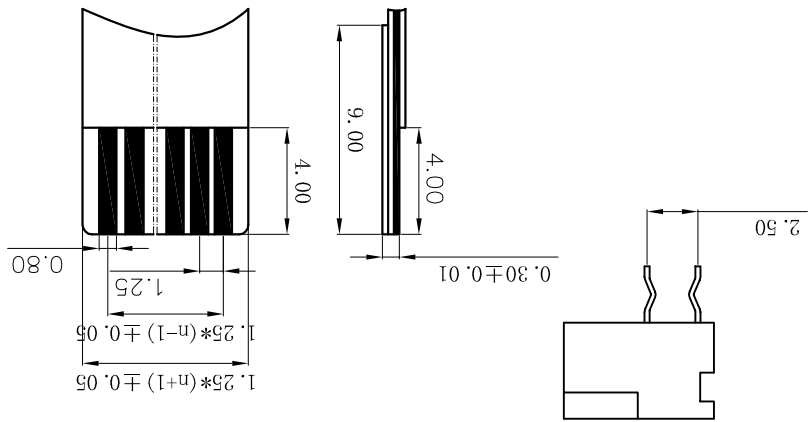
| | | | | | | | | | |
|----------------------------|--------|--|--|--|--|--|--|--|--|
| UNLESS OTHERWISE SPECIFIED | | | | | | | | | |
| TOLERANCES ARE | | | | | | | | | |
| X.X | ±0.15 | | | | | | | | |
| X.XX | ±0.05 | | | | | | | | |
| X.XXX | ±0.02 | | | | | | | | |
| ANG. | ±0.30° | | | | | | | | |
| UNIT | MM | | | | | | | | |
| DATE | | | | | | | | | |
| CHK | | | | | | | | | |
| REVISIONS | | | | | | | | | |
| SER | | | | | | | | | |
| AREA | | | | | | | | | |

APPROVED DATE _____
 PART NO. AFC25-S**WCC-00
 DRAWING NO. JUSHUO
 COMPUTER NO. _____
 DRAWN DATE 2010.06.08
 SCALE SIZE 81 A3
 NUMBER _____
 NAME _____
 REV A

深圳市钜硕电子有限公司

| | | | |
|----|-------|-------|-------|
| 40 | 48.75 | 51.25 | 53.55 |
| 39 | 47.50 | 50.00 | 52.30 |
| 38 | 46.25 | 48.75 | 51.05 |
| 37 | 45.00 | 47.50 | 49.80 |
| 36 | 43.75 | 46.25 | 48.55 |
| 35 | 42.50 | 45.00 | 47.30 |
| 34 | 41.25 | 43.75 | 46.05 |
| 33 | 40.00 | 42.50 | 44.80 |
| 32 | 38.75 | 41.25 | 43.55 |
| 31 | 37.50 | 40.00 | 42.30 |
| 30 | 36.25 | 38.75 | 41.05 |
| 29 | 35.00 | 37.50 | 39.80 |
| 28 | 33.75 | 36.25 | 38.55 |
| 27 | 32.50 | 35.00 | 37.30 |
| 26 | 31.25 | 33.75 | 36.05 |
| 25 | 30.00 | 32.50 | 34.80 |
| 24 | 28.75 | 31.25 | 33.55 |
| 23 | 27.50 | 30.00 | 32.30 |
| 22 | 26.25 | 28.75 | 31.05 |
| 21 | 25.00 | 27.50 | 29.80 |
| 20 | 23.75 | 26.25 | 28.55 |
| 19 | 22.50 | 25.00 | 27.30 |
| 18 | 21.25 | 23.75 | 26.05 |
| 17 | 20.00 | 22.50 | 24.80 |
| 16 | 18.75 | 21.25 | 23.55 |
| 15 | 17.50 | 20.00 | 22.30 |
| 14 | 16.25 | 18.75 | 21.05 |
| 13 | 15.00 | 17.50 | 19.80 |
| 12 | 13.75 | 16.25 | 18.55 |
| 11 | 12.50 | 15.00 | 17.30 |
| 10 | 11.25 | 13.75 | 16.05 |
| 9 | 10.00 | 12.50 | 14.80 |
| 8 | 8.75 | 11.25 | 13.55 |
| 7 | 7.50 | 10.00 | 12.30 |
| 6 | 6.25 | 8.75 | 11.05 |
| 5 | 5.00 | 7.50 | 9.80 |
| 4 | 3.75 | 6.25 | 8.55 |
| 孔位 | A | B | C |

性能：
 额定电流：1A
 额定电压：200V
 耐电压：500V
 接触电阻：< 20mΩ
 绝缘电阻：500MΩ
 工作温度：-20℃~+85℃
 塑件（材质）：PBT, UL94V-0
 插簧（材质）：磷青铜，镀锡



X-ON Electronics

Largest Supplier of Electrical and Electronic Components

Click to view similar products for [FFC & FPC Connectors](#) category:

Click to view products by [JUSHUO](#) manufacturer:

Other Similar products are found below :

[HFW11R-1STE1H1LF](#) [FH29B-100S-0.2SHW\(99\)](#) [FA5S008HP1](#) [FH29B-120S-0.2SHW\(99\)](#) [FH29B-80S-0.2SHW\(99\)](#) [FHS-16](#) [FPH-2022G](#)
[52610-1075](#) [52610-1275](#) [52610-1934](#) [XF3M\(1\)-1415-1B-R100](#) [501864-3091-TR225](#) [0525594033](#) [086210010340800](#) [086222026001800](#)
[52271-2869-CUT-TAPE](#) [62674-201121DLF](#) [62684-36210E9ALF](#) [52610-1675](#) [52746-1671-TR250](#) [10051922-2810EHLF](#) [6-520415-9](#)
[BD021-09A-A1-0350-0200-0550-LD](#) [SFV6R-1STE9HLF](#) [XF3M-2915-1B-R100](#) [1658549-1](#) [62674-221121ALF](#) [46214008010800](#)
[046298003000883](#) [151660622](#) [842-816-2630-035](#) [AYF530665TA](#) [AYF351525](#) [046296011930846+](#) [AYF352325A](#) [046254020000800+](#)
[FH19C-13S-0.5SH\(99\)](#) [FH39J-51S-0.3SHW\(99\)](#) [AYF355125A](#) [AYF530365TA](#) [FH29B-44S-0.2SHW\(99\)](#) [SFW5R-2STAE9LF](#) [AYF351125A](#)
[AYF350725A](#) [62684-502100AHLF](#) [FH39-61S-0.3SHW\(99\)](#) [AYF414035A](#) [10064555-172520HLF](#) [AYF212335A](#) [504754-2500](#)