

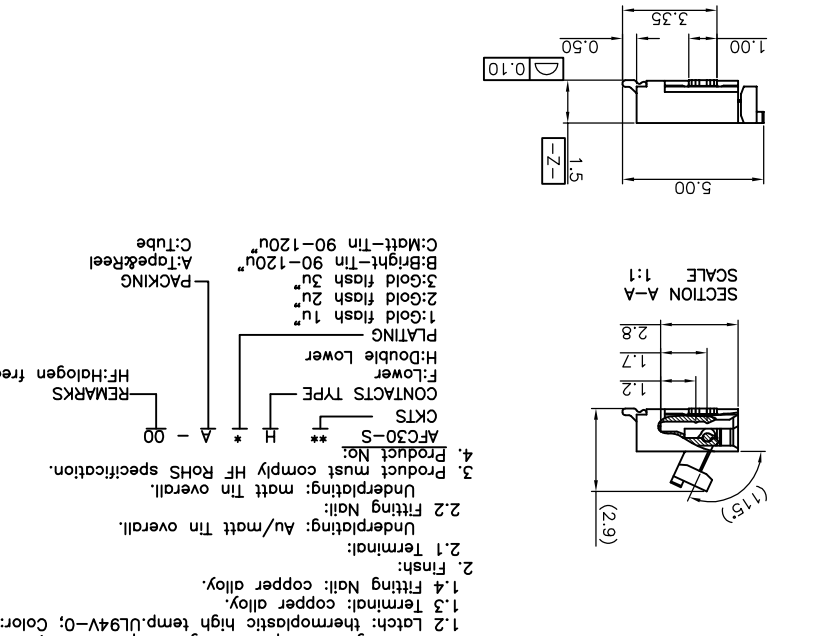
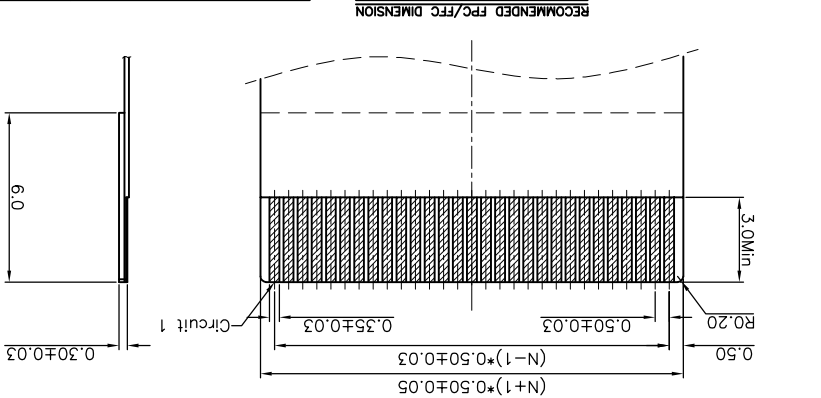
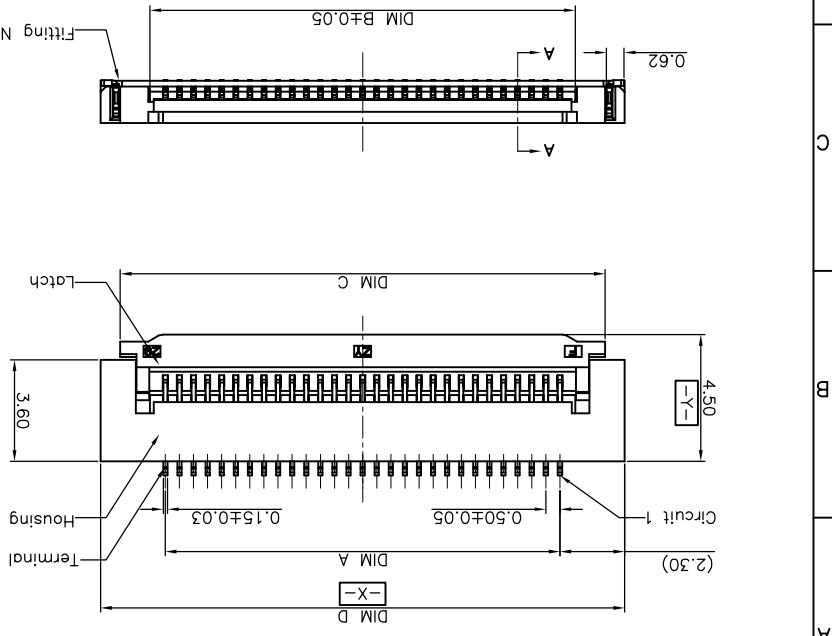
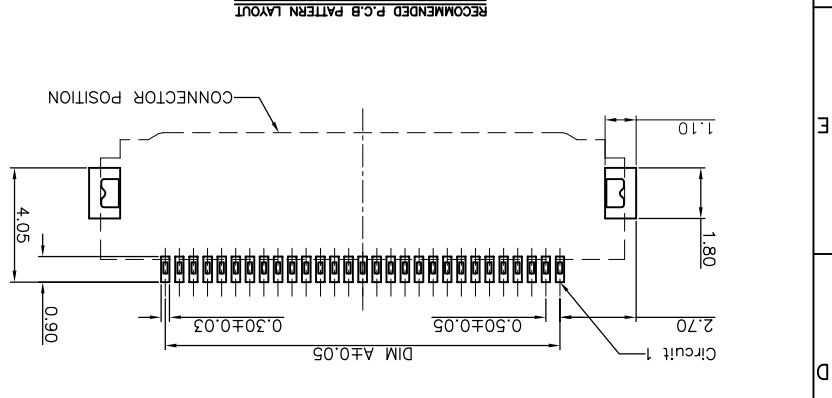
Rev A	Change Description	初版发行
Rev B	变更内容	
Date	日期	2012/11/22
Rev/Rev 1.0P1	制/修订人	Allian

Project View	Project (项目)	AF30-S***F***
Scale (比例)	Scale (比例)	1:1
Unit (单位)	Unit (单位)	MM
Product Name (产品名称)	Product Name (产品名称)	0.5Pitch H=1.5 FPC Easy-on R/A D/C Type1 SMT CONN
Product No (产品料号)	Product No (产品料号)	AF30-S***F***
Designer (设计)	Designer (设计)	Allian 11/22/12
Checked (审核)	Checked (审核)	
Approved (核准)	Approved (核准)	

CUSTOMER DRAWING

深圳市钜硕电子有限公司

CCTS	DTM A	DTM B	DTM C	DTM D
19	9.00	10.10	12.20	13.60
20	9.50	10.60	12.70	14.10
21	10.00	11.10	13.20	14.60
22	10.50	11.60	13.70	15.10
23	11.00	12.10	14.20	15.60
24	11.50	12.60	14.70	16.10
25	12.00	13.10	15.20	16.60
26	12.50	13.60	15.70	17.10
27	13.00	14.10	16.20	17.60
28	13.50	14.60	16.70	18.10
29	14.00	15.10	17.20	18.60
30	14.50	15.60	17.70	19.10
31	15.00	16.10	18.20	19.60
32	15.50	16.60	18.70	20.10
33	16.00	17.10	19.20	20.60
34	16.50	17.60	19.70	21.10
35	17.00	18.10	20.20	21.60
36	17.50	18.60	20.70	22.10
37	18.00	19.10	21.20	22.60
38	18.50	19.60	21.70	23.10
39	19.00	20.10	22.20	23.60
40	19.50	20.60	22.70	24.10
41	20.00	21.10	23.20	24.60
42	20.50	21.60	23.70	25.10
43	21.00	22.10	24.20	25.60
44	21.50	22.60	24.70	26.10
45	22.00	23.10	25.20	26.60
46	22.50	23.60	25.70	27.10
47	23.00	24.10	26.20	27.60
48	23.50	24.60	26.70	28.10
49	24.00	25.10	27.20	28.60
50	24.50	25.60	27.70	29.10
51	25.00	26.10	28.20	29.60
52	25.50	26.60	28.70	30.10
53	26.00	27.10	29.20	30.60
54	26.50	27.60	29.70	31.10
55	27.00	28.10	30.20	31.60
56	27.50	28.60	30.70	32.10
57	28.00	29.10	31.20	32.60
58	28.50	29.60	31.70	33.10
59	29.00	30.10	32.20	33.60
60	29.50	30.60	32.70	34.10



Note:

- Material: 1.1 Housing: thermoplastic high temp.UL94V-0; Color: natural.
- Terminal: 1.2 Latch: thermoplastic high temp.UL94V-0; Color: black.
- Terminal: 1.3 Terminal: copper alloy.
- Fitting Nail: 1.4 Fitting Nail: copper alloy.
- Finish: 2.1 Terminal: Underplating: Au/matt Tin overall.
- Fitting Nail: 2.2 Fitting Nail: Underplating: matt Tin overall.
- Product No: 4. Product No: AF30-S***F***
- CTKS
- CONTACTS TYPE
- Flower
- H:Double Lower
- PLATTING
- 1:Gold flash 1u"
- 2:Gold flash 2u"
- 3:Gold flash 3u"
- B:Bright-Tin 90-120u"
- C:Matt-Tin 90-120u"
- PACKING
- A:Top&Reel
- C:TUBE
- REMARKS
- HF:Halogen free

X-ON Electronics

Largest Supplier of Electrical and Electronic Components

Click to view similar products for [FFC & FPC Connectors](#) category:

Click to view products by [JUSHUO](#) manufacturer:

Other Similar products are found below :

[HFW11R-1STE1H1LF](#) [FH29B-100S-0.2SHW\(99\)](#) [FA5S008HP1](#) [FH29B-120S-0.2SHW\(99\)](#) [FH29B-80S-0.2SHW\(99\)](#) [FHS-16](#) [FPH-2022G](#)
[52610-1075](#) [52610-1275](#) [52610-1934](#) [XF3M\(1\)-1415-1B-R100](#) [501864-3091-TR225](#) [0525594033](#) [086210010340800](#) [086222026001800](#)
[52271-2869-CUT-TAPE](#) [62674-201121DLF](#) [62684-36210E9ALF](#) [52610-1675](#) [52746-1671-TR250](#) [10051922-2810EHLF](#) [6-520415-9](#)
[BD021-09A-A1-0350-0200-0550-LD](#) [SFV6R-1STE9HLF](#) [XF3M-2915-1B-R100](#) [1658549-1](#) [62674-221121ALF](#) [46214008010800](#)
[046298003000883](#) [151660622](#) [842-816-2630-035](#) [AYF530665TA](#) [AYF351525](#) [046296011930846+](#) [AYF352325A](#) [046254020000800+](#)
[FH19C-13S-0.5SH\(99\)](#) [FH39J-51S-0.3SHW\(99\)](#) [AYF355125A](#) [AYF530365TA](#) [FH29B-44S-0.2SHW\(99\)](#) [SFW5R-2STAE9LF](#) [AYF351125A](#)
[AYF350725A](#) [62684-502100AHLF](#) [FH39-61S-0.3SHW\(99\)](#) [AYF414035A](#) [10064555-172520HLF](#) [AYF212335A](#) [504754-2500](#)