

Low-Voltage, SOT23 μ P Supervisors with Power-Fail In/Out, Manual Reset, and Watchdog Timer

General Description

The MAX6701–MAX6708 microprocessor (μ P) supervisory circuits reduce the complexity and components required to monitor power-supply functions in μ P systems. These devices significantly improve system reliability and accuracy compared to separate ICs or discrete components.

The MAX6701–MAX6708 family provides four functions: a reset output during power-up, power-down, and brownout conditions; an independent watchdog output that goes low if the watchdog input has not been toggled within 1.6s; a 0.62V threshold detector for power-fail warning; and an active-low manual reset input.

The MAX6701–MAX6708 family offers several pinout options to accommodate a variety of multivoltage microprocessor supervision applications.

The MAX6701(A)/MAX6702(A)/MAX6703(A) monitor three supply voltages (one fixed threshold and two adjustable) to drive a single reset output and include a manual reset input and a watchdog timer with an independent output. The MAX6704 monitors a single-supply voltage to drive complementary reset outputs and includes an independent adjustable power-fail-in/power-fail-out comparator, a manual reset input, and a reset-based watchdog timer. The MAX6705(A)/MAX6706(A)/MAX6707(A) monitor a single-supply voltage to drive a single reset output and include an independent adjustable power-fail-in/power-fail-out comparator, a manual reset input, and a watchdog timer with an independent output. The MAX6708 is the same as the MAX6704 but without the watchdog timer function.

See the Detailed Description for differences between non-A and A versions.

Applications

Computers
 Controllers
 Intelligent Instruments
 Automotive Systems
 Critical μ P Power Monitoring
 White Goods
 Networking
 Telecommunications

Typical Operating Circuit and Selector Guide appear at end of data sheet.

Features

- ◆ Small 8-Pin SOT23 Package
- ◆ Precision Monitoring of +5.0V, +3.3V, +3.0V, +2.5V Supply Voltages
- ◆ 140ms Reset Timeout Delay
- ◆ Power-Fail Input with Independent Output; Monitor Inputs Down to 0.62V (MAX6704–MAX6708)
- ◆ Dual Adjustable Reset Input for Triple-Voltage Monitoring (MAX6701(A)/MAX6702(A)/MAX6703(A))
- ◆ 1.6s Watchdog Timeout Period (MAX6701(A)–MAX6707(A))
- ◆ Independent Watchdog Output (MAX6701(A)/MAX6702(A)/MAX6703(A)/MAX6705(A)/MAX6706(A)/MAX6707(A))
- ◆ Manual Reset Input
- ◆ Four Reset Output Stage Options
 - Active Low Push-Pull (MAX6701(A), MAX6705(A))
 - Active Low Open Drain (MAX6703(A), MAX6707(A))
 - Active High Push-Pull (MAX6702(A), MAX6706(A))
 - Dual Active Low/High Push-Pull (MAX6704, MAX6708)
- ◆ Guaranteed Reset Valid to $V_{CC} = 1V$
- ◆ Immune to Short Falling V_{CC} Transients
- ◆ Low Cost, Few External Components

Ordering Information

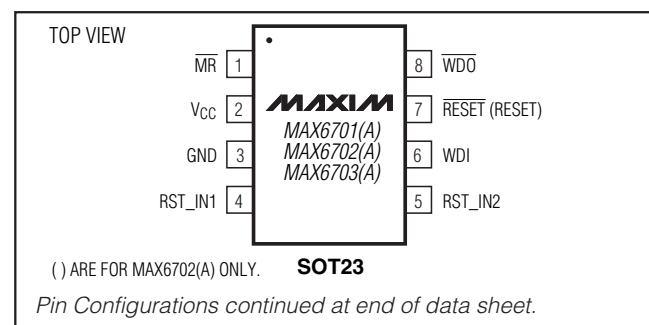
PART	TEMP RANGE	PIN-PACKAGE
MAX6701_KA-T	-40°C to +125°C	8 SOT23-8
MAX6701A_KA-T	-40°C to +125°C	8 SOT23-8

Insert the desired suffix letter (from the Threshold Suffix Guide table) into the blank to complete the part number. All devices must be ordered in increments of 2500 pieces. Sample stock is typically held on standard versions only. Contact factory for availability.

Devices are available in both leaded and lead-free packaging. Specify lead-free by replacing “-T” with “+T” when ordering.

Ordering Information continued at end of data sheet.

Pin Configurations



Low-Voltage, SOT23 μ P Supervisors with Power-Fail In/Out, Manual Reset, and Watchdog Timer

ABSOLUTE MAXIMUM RATINGS

V _{CC}	-0.3V to +6.0V	Continuous Power Dissipation (T _A = +70°C)	
Open-Drain RESET, WDO, PFO	-0.3V to +6.0V	8-Pin SOT23 (derate 8.9mW/°C above +70°C).....	714mW
Push-Pull RESET, RESET, WDO, PFO	-0.3V to (V _{CC} + 0.3V)	Operating Temperature Range	-40°C to +125°C
MR, WDI, PFI, RST_IN1, RST_IN2	-0.3V to (V _{CC} + 0.3V)	Junction Temperature	+150°C
Input Current (V _{CC}).....	.20mA	Storage Temperature Range	-65°C to +150°C
Output Current (RESET, RESET, PFO, WDO)20mA	Lead Temperature (soldering, 10s).....	+300°C

Stresses beyond those listed under "Absolute Maximum Ratings" may cause permanent damage to the device. These are stress ratings only, and functional operation of the device at these or any other conditions beyond those indicated in the operational sections of the specifications is not implied. Exposure to absolute maximum rating conditions for extended periods may affect device reliability.

ELECTRICAL CHARACTERISTICS

(V_{CC} = +4.25V to +5.5V for L/M versions, V_{CC} = +2.55V to +3.6V for the T/S/R versions, V_{CC} = +2.1V to +2.75V for the Z/Y versions. T_A = -40°C to +125°C, unless otherwise specified. Typical values are at T_A = +25°C.) (Note 1)

PARAMETER	SYMBOL	CONDITIONS	MIN	TYP	MAX	UNITS	
Operating Voltage Range	V _{CC}	T _A = 0°C to +125°C	1.0		5.5	V	
		T _A = -40°C to +125°C	1.2		5.5		
Supply Current MR Unconnected	I _{CC}	V _{CC} < 5.5V, no load		12	25	μ A	
		V _{CC} < 3.6V, no load		9	20		
		V _{CC} < 3.6V, no load (MAX6708 only)		6	20		
V _{CC} Reset Threshold (V _{CC} falling)	V _{TH}	MAX670_L/MAX670_AL	T _A = -40°C to +85°C	4.50	4.63	4.75	V
			T _A = -40°C to +125°C	4.47		4.78	
		MAX670_M/MAX670_AM	T _A = -40°C to +85°C	4.25	4.38	4.50	
			T _A = -40°C to +125°C	4.22		4.53	
		MAX670_T/MAX670_AT	T _A = -40°C to +85°C	3.00	3.08	3.15	
			T _A = -40°C to +125°C	2.97		3.17	
		MAX670_S/MAX670_AS	T _A = -40°C to +85°C	2.85	2.93	3.00	
			T _A = -40°C to +125°C	2.83		3.02	
		MAX670_R/MAX670_AR	T _A = -40°C to +85°C	2.55	2.63	2.70	
			T _A = -40°C to +125°C	2.53		2.72	
		MAX670_Z/MAX670_AZ	T _A = -40°C to +85°C	2.25	2.32	2.38	
			T _A = -40°C to +125°C	2.24		2.40	
		MAX670_Y/MAX670_AY	T _A = -40°C to +85°C	2.12	2.19	2.25	
			T _A = -40°C to +125°C	2.11		2.27	
Reset Threshold Temperature Coefficient	Δ V _{TH}			60		ppm/°C	
V _{CC} to Reset Output Delay		V _{CC} falling at 10mV/ μ s		12		μ s	
Reset Timeout Period	t _{RP}	T _A = -40°C to +85°C	140	200	280	ms	
		T _A = -40°C to +125°C	120		300		
V _{CC} Falling to $\overline{\text{WDO}}$ Delay		MAX6701(A)/MAX6702(A)/MAX6703(A)/MAX6705(A)/ MAX6706(A)/MAX6707(A)		5		μ s	
PFI, RST_IN1, RST_IN2 Threshold		V _{CC} = 1.8V to 5.5V	T _A = -40°C to +85°C	602	618	634	mV
			T _A = -40°C to +125°C	593		642	
PFI Hysteresis				6		mV	

Low-Voltage, SOT23 μ P Supervisors with Power-Fail In/Out, Manual Reset, and Watchdog Timer

ELECTRICAL CHARACTERISTICS (continued)

($V_{CC} = +4.25V$ to $+5.5V$ for L/M versions, $V_{CC} = +2.55V$ to $+3.6V$ for the T/S/R versions, $V_{CC} = +2.1V$ to $+2.75V$ for the Z/Y versions. $T_A = -40^{\circ}C$ to $+125^{\circ}C$, unless otherwise specified. Typical values are at $T_A = +25^{\circ}C$.) (Note 1)

PARAMETER	SYMBOL	CONDITIONS	MIN	TYP	MAX	UNITS
PFI, RST_IN1, RST_IN2 Leakage Current		(Note 2)	$T_A = -40^{\circ}C$ to $+85^{\circ}C$	-50	+50	nA
			$T_A = -40^{\circ}C$ to $+125^{\circ}C$	-200	+200	
PFI to \overline{PFO} Delay	t _{PF}			1		μ s
\overline{MR} Input Voltage	V _{IL}			0.3 x V _{CC}		V
	V _{IH}		0.7 x V _{CC}			
\overline{MR} Minimum Input Pulse			1			μ s
\overline{MR} Glitch Rejection				100		ns
\overline{MR} to Reset Delay	t _{MD}			200		ns
V _{CC} Rising to \overline{WDO} Delay		MAX6701(A)/MAX6702(A)/MAX6703(A)/ MAX6705(A)/MAX6706(A)/MAX6707(A)		100		ns
\overline{MR} Pullup Resistance			25	50	75	k Ω
Watchdog Timeout Period	t _{WD}	$T_A = -40^{\circ}C$ to $+85^{\circ}C$	1.12	1.6	2.4	s
		$T_A = -40^{\circ}C$ to $+125^{\circ}C$	0.96		2.52	
WDI Pulse Width	t _{WDI}	(Note 2)	50			ns
WDI Input Voltage	V _{IL}			0.3 x V _{CC}		V
	V _{IH}		0.7 x V _{CC}			
WDI Input Current	I _{WDI}	WDI = 0V or V _{CC}	-1		+1	μ A
\overline{RESET} , \overline{WDO} Output Low (Push-Pull or Open Drain)	V _{OL}	V _{CC} \geq 1.0V, I _{SINK} = 50 μ A, output asserted ($T_A = 0^{\circ}C$ to $+125^{\circ}C$)			0.3	V
		V _{CC} \geq 1.2V, I _{SINK} = 100 μ A, output asserted			0.3	
		V _{CC} \geq 2.55V, I _{SINK} = 1.2mA, output asserted			0.3	
		V _{CC} \geq 4.25V, I _{SINK} = 3.2mA, output asserted			0.4	
PFO Output Low (Push-Pull or Open Drain)	V _{OL}	V _{CC} \geq 1.80V, I _{SINK} = 200 μ A, output asserted			0.3	V
		V _{CC} \geq 2.55V, I _{SINK} = 1.2mA, output asserted			0.3	
		V _{CC} \geq 4.25V, I _{SINK} = 3.2mA, output asserted			0.4	
\overline{RESET} , \overline{WDO} , \overline{PFO} Output High (Push-Pull Only)	V _{OH}	V _{CC} \geq 2.7V, I _{SOURCE} = 500 μ A, output not asserted	0.8 x V _{CC}		V	
		V _{CC} \geq 4.75V, I _{SOURCE} = 800 μ A, output not asserted	0.8 x V _{CC}			
\overline{RESET} , \overline{WDO} , \overline{PFO} Output Open-Drain Leakage Current	I _{LKG}	V _{CC} > V _{TH} , output not asserted			1.0	μ A
RESET Output High (Push-Pull Only)	V _{OH}	V _{CC} \geq 1.0V, I _{SOURCE} = 1 μ A, reset asserted ($T_A = 0^{\circ}C$ to $+125^{\circ}C$)	0.8 x V _{CC}		V	
		V _{CC} \geq 1.2V, I _{SOURCE} = 50 μ A, reset asserted	0.8 x V _{CC}			
		V _{CC} \geq 2.55V, I _{SOURCE} = 500 μ A, reset asserted	0.8 x V _{CC}			
		V _{CC} \geq 4.25V, I _{SOURCE} = 800 μ A, reset asserted	0.8 x V _{CC}			
RESET Output Low (Push-Pull Only)	V _{OL}	V _{CC} \geq 2.7V, I _{SINK} = 1.2mA, reset not asserted			0.3	V
		V _{CC} \geq 4.75V, I _{SINK} = 3.2mA, reset not asserted			0.4	

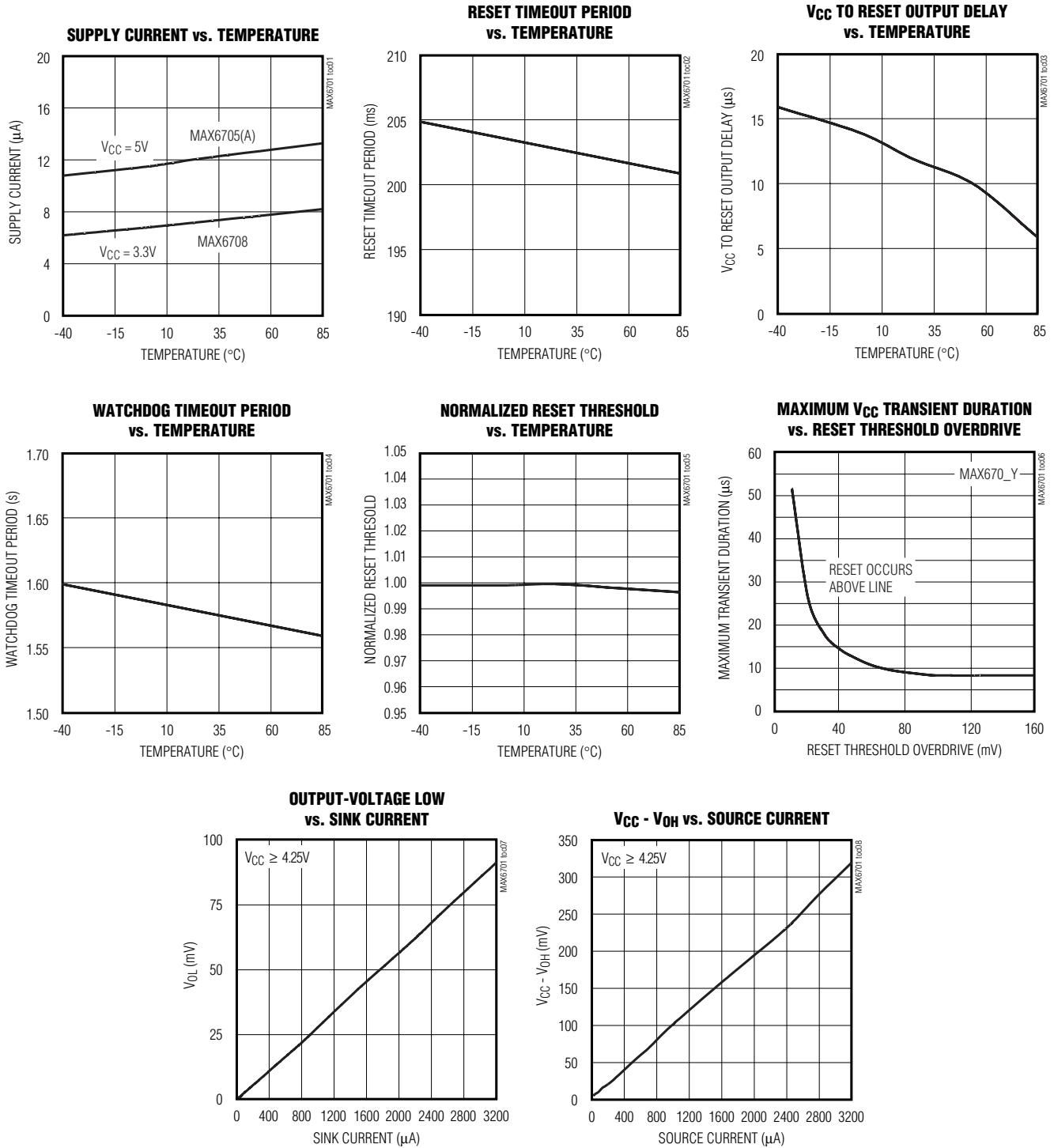
Note 1: Over-temperature limits are guaranteed by design and not production tested. Devices are tested at $T_A = +25^{\circ}C$.

Note 2: Guaranteed by design. Not production tested.

Low-Voltage, SOT23 μ P Supervisors with Power-Fail In/Out, Manual Reset, and Watchdog Timer

Typical Operating Characteristics

($T_A = +25^\circ\text{C}$, unless otherwise noted.)



Low-Voltage, SOT23 μ P Supervisors with Power-Fail In/Out, Manual Reset, and Watchdog Timer

Pin Description

PIN				NAME	FUNCTION
MAX6701(A) MAX6702(A) MAX6703(A)	MAX6704	MAX6705(A) MAX6706(A) MAX6707(A)	MAX6708		
1	1	1	1	$\overline{\text{MR}}$	Active-Low, Manual Reset Input, Internal 50k Ω Pullup to V _{CC} . Pull low to force a reset. Reset remains active as long as $\overline{\text{MR}}$ is low and the reset timeout period after $\overline{\text{MR}}$ goes high. Leave unconnected or connect to V _{CC} if unused. $\overline{\text{WDO}}$ deasserts when $\overline{\text{MR}}$ is low (MAX6701(A)/MAX6702(A)/MAX6703(A)/MAX6705(A)/MAX6706(A)/MAX6707(A) only).
2	2	2	2	V _{CC}	Supply Voltage for MAX6701–MAX6708 and Input for Primary Reset Threshold Monitor. Push-pull outputs are powered by V _{CC} .
3	3	3	3	GND	Ground
—	4	4	4	PFI	Power-Fail Voltage Monitor Input. High-impedance input for internal power-fail comparator. Connect this pin to an external resistive-divider network to set the reset threshold voltage; 0.62V (typ) threshold. Connect to GND or V _{CC} when not used.
—	5	5	5	$\overline{\text{PFO}}$	Power-Fail Monitor Output. Open drain or push-pull active low. $\overline{\text{PFO}}$ goes low when PFI is less than 0.62V.
6	6	6	—	WDI	Watchdog Input. If WDI remains high or low for longer than the watchdog timeout period, the internal watchdog timer runs out and $\overline{\text{WDO}}$ is asserted. $\overline{\text{WDO}}$ is asserted low after each watchdog overflow and remains low until the watchdog timer is cleared (the reset output is not affected). The internal watchdog timer clears whenever a V _{CC} /RST_IN1/RST_IN2 reset is asserted, the manual reset is asserted, or WDI sees a rising or falling edge. The watchdog timer remains cleared until the reset output is deasserted. On the MAX6704, $\overline{\text{RESET}}$ pulse asserts for the reset timeout period after each watchdog timeout overflow. The watchdog timer cannot be disabled.
—	—	—	6	N.C.	No Connection. Not internally connected.
7	7	7	7	$\overline{\text{RESET}}$	Active-Low Reset Output (Open Drain or Push-Pull). $\overline{\text{RESET}}$ changes from high to low when the V _{CC} input drops below the selected reset threshold (or RST_IN1/RST_IN2 for the MAX6701(A)/MAX6702(A)/MAX6703(A), $\overline{\text{MR}}$ is pulled low, or the watchdog triggers a reset (MAX6704 only). $\overline{\text{RESET}}$ remains low for the reset timeout period after the reset conditions are terminated.

MAX6701-08/MAX6701A-03A/05A-07A

Low-Voltage, SOT23 μ P Supervisors with Power-Fail In/Out, Manual Reset, and Watchdog Timer

Pin Description (continued)

PIN				NAME	FUNCTION
MAX6701(A) MAX6702(A) MAX6703(A)	MAX6704	MAX6705(A) MAX6706(A) MAX6707(A)	MAX6708		
8	—	8	—	$\overline{\text{WDO}}$	Active-Low Watchdog Output (Open Drain or Push-Pull). $\overline{\text{WDO}}$ is asserted whenever the watchdog times out and V_{CC} or the reset inputs are below their respective thresholds. $\overline{\text{WDO}}$ deasserts after a valid WDI transition without a reset timeout period. In the A versions, $\overline{\text{WDO}}$ deasserts without a timeout delay when V_{CC} , RST_IN1, and RST_IN2 rises above its threshold. Pull $\overline{\text{MR}}$ low to assert $\overline{\text{WDO}}$ (MAX6701/MAX6702/MAX6703/MAX6705/MAX6706/MAX6707 only). Pull $\overline{\text{MR}}$ low to deassert $\overline{\text{WDO}}$ (MAX6701(A)/MAX6702(A)/MAX6703(A)/MAX6705(A)/MAX6706(A)/MAX6707(A) only).
7*	8	7*	8	RESET	Active-High Reset Output (Push-Pull). RESET changes from low to high when the V_{CC} input drops below the selected reset threshold (or RST_IN1/RST_IN2 for MAX6701(A)/MAX6702(A)/MAX6703(A), $\overline{\text{MR}}$ is pulled low, or the watchdog triggers a reset (MAX6704 only). RESET remains high for the reset timeout period after the reset conditions are terminated.
4	—	—	—	RST_IN1	Input for User-Adjustable V_{CC2} Monitor. High-impedance input for second internal reset comparator. Connect this pin to an external resistive-divider network to set the reset threshold voltage; 0.62V (typ) threshold. Connect to V_{CC} when not used. Reset is asserted when either V_{CC} , RST_IN1, or RST_IN2 are below threshold.
5	—	—	—	RST_IN2	Input for User-Adjustable V_{CC3} Monitor. High-impedance input for third internal reset comparator. Connect this pin to an external resistive-divider network to set the reset threshold voltage; 0.62V (typ) threshold. Connect to V_{CC} when not used. Reset is asserted when either V_{CC} , RST_IN1, or RST_IN2 are below threshold.

*RESET active-high for the MAX6702(A)/MAX6706(A).

Detailed Description

Figures 1, 2, and 3 are functional diagrams for the MAX6705(A)/MAX6706(A)/MAX6707(A), MAX6704/MAX6708, and MAX6701(A)/MAX6702(A)/MAX6703(A), respectively.

Reset Output

A microprocessor's (μ P's) reset input starts the μ P in a known state. The MAX6701–MAX6708 assert reset during power-up and prevent code execution errors during power-down or brownout conditions.

On power-up, once V_{CC} reaches 1V, $\overline{\text{RESET}}$ is a guaranteed logic low of 0.4V or less. As V_{CC} rises, $\overline{\text{RESET}}$

stays low. After V_{CC} , RST_IN1, or RST_IN2 rise above the reset threshold, an internal timer holds $\overline{\text{RESET}}$ low for about 200ms. $\overline{\text{RESET}}$ pulses low whenever V_{CC} dips below the reset threshold, including brownout conditions. If a brownout occurs in the middle of a previously initiated reset pulse, the pulse continues for at least another 140ms. On power-down, once V_{CC} falls below the reset threshold, $\overline{\text{RESET}}$ stays low and is guaranteed to be 0.4V or less, until V_{CC} drops below 1V.

The MAX6702(A)/MAX6704/MAX6706(A)/MAX6708 active-high RESET output is the complement of the $\overline{\text{RESET}}$ output, and is guaranteed to be valid with V_{CC} down to 1V.

Low-Voltage, SOT23 μ P Supervisors with Power-Fail In/Out, Manual Reset, and Watchdog Timer

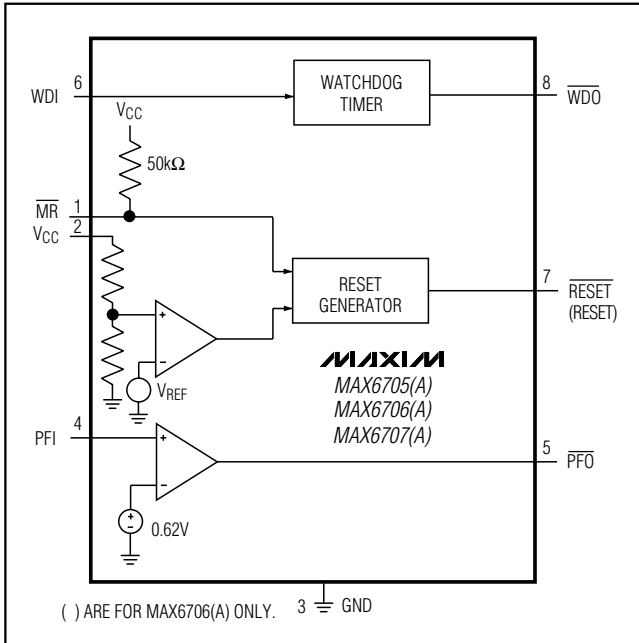


Figure 1. MAX6705(A)/MAX6706(A)/MAX6707(A) Functional Diagram

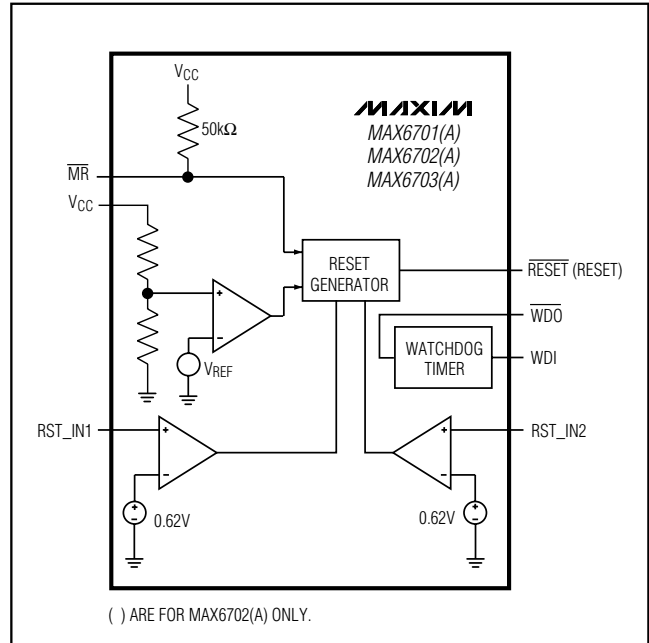


Figure 3. MAX6701(A)/MAX6702(A)/MAX6703(A) Functional Diagram

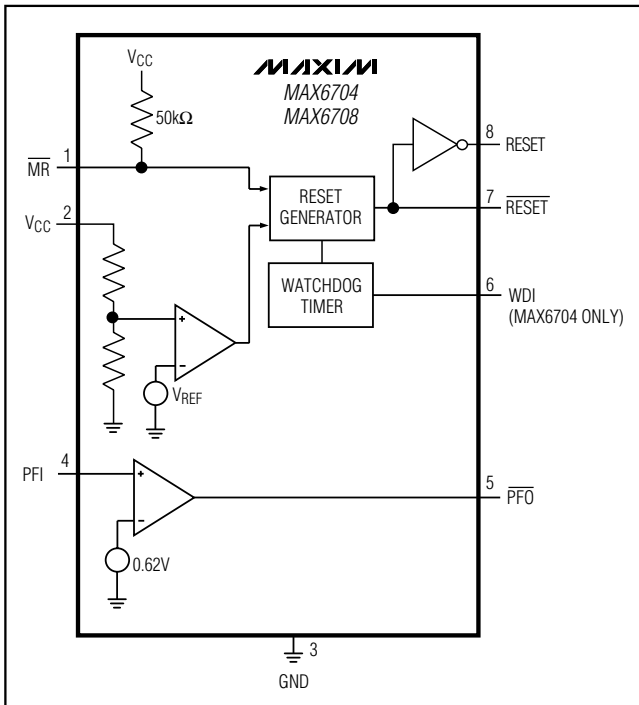


Figure 2. MAX6704/MAX6708 Functional Diagram

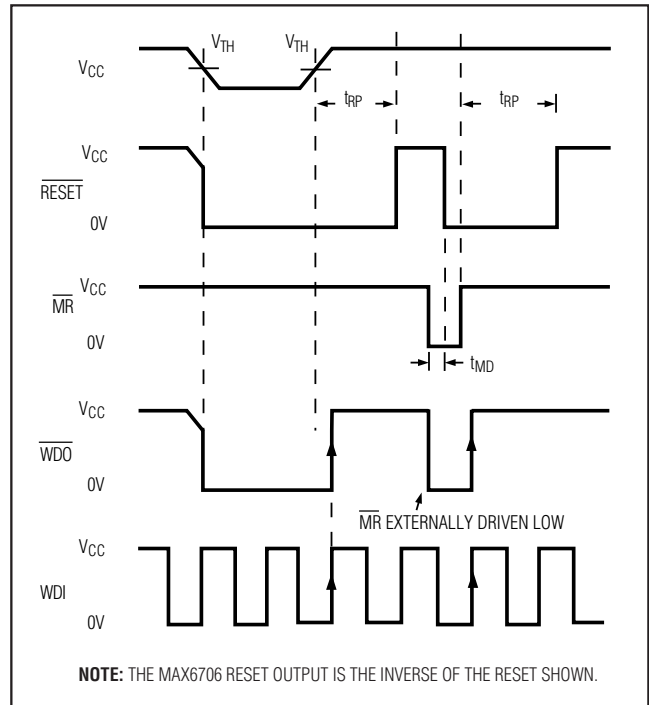


Figure 4. MAX6705/MAX6706/MAX6707 $\overline{\text{RESET}}$, $\overline{\text{MR}}$, $\overline{\text{WDO}}$, and $\overline{\text{WDI}}$ Timing

Low-Voltage, SOT23 μ P Supervisors with Power-Fail In/Out, Manual Reset, and Watchdog Timer

Standard- vs. A-Version Comparison

The MAX6701/MAX6702/MAX6703/MAX6705/MAX6706/MAX6707s' \overline{WDO} latches low when one of the following events occurs:

- The watchdog timer times out (1.6s, typ).
- V_{CC} , RST_IN1, or RST_IN2 is below its reset threshold.
- \overline{MR} is pulled low.
- \overline{WDO} only deasserts with a valid WDI transition.

The MAX6701(A)/MAX6702(A)/MAX6703(A)/MAX6705(A)/MAX6706(A)/MAX6707(A)s' \overline{WDO} asserts when either V_{CC} , RST_IN1, or RST_IN2 is below its reset threshold. \overline{WDO} deasserts without a timeout delay when the undervoltage situation has expired. \overline{WDO} is latched low when the watchdog timer elapses without seeing a WDI transition. \overline{WDO} deasserts with a valid WDI transition OR by pulling \overline{MR} low.

See Figures 4 and 5 for standard-version timing. See Figures 6 and 7 for A-version timing.

Watchdog Timer

The MAX6701–MAX6707 watchdog circuit monitors the μ P's activity. If the μ P does not toggle the WDI within 1.6s, \overline{WDO} goes low. When \overline{RESET} is asserted, the watchdog timer stays cleared and does not count. As soon as reset is released, the timer starts counting. \overline{WDO} deasserts after a valid transition is detected at WDI. Pulses as short as 50ns can be detected.

Typically, \overline{WDO} is connected to the NMI input of a μ P. When V_{CC} , RST_IN1, or RST_IN2 drop below the reset

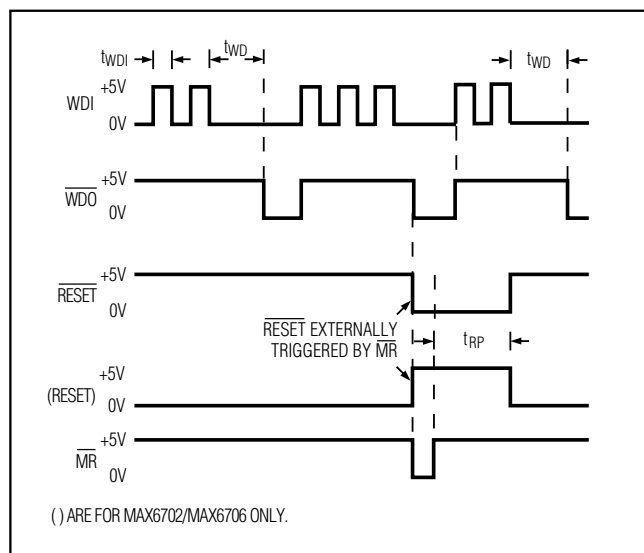


Figure 5. MAX6701/MAX6702/MAX6703/MAX6705/MAX6706/MAX6707 Watchdog

threshold, \overline{WDO} goes low whether or not the watchdog timer has timed out. Normally this would trigger an NMI, but \overline{RESET} goes low simultaneously, and thus overrides the NMI.

The MAX6704 watchdog circuit does not have an independent watchdog output (\overline{WDO}). If the μ P does not toggle the watchdog input within 1.6s, the MAX6704 asserts a reset output pulse for the reset timeout period.

Manual Reset

The manual reset input (\overline{MR}) allows reset to be triggered by a pushbutton switch. The switch is effectively debounced by the reset pulse width. \overline{MR} is CMOS logic compatible, so it can be driven by an external logic line. \overline{MR} can be used to force a watchdog timeout to generate a reset pulse in the MAX6701(A)/MAX6702(A)/MAX6703(A)/MAX6705(A)/MAX6706(A)/MAX6707(A) by connecting \overline{WDO} to \overline{MR} .

Power-Fail Comparator

The uncommitted power-fail comparator can be used for various purposes because its noninverting input and output are externally available. The inverting input is internally connected to a 0.62V reference. To build an early warning circuit for power failure, connect the PFI pin to a voltage-divider (see the *Typical Operating Circuit*). Choose the voltage-divider ratio so that the voltage at PFI falls below 0.62V just before the regulator drops out. Use \overline{PFO} to interrupt the μ P so it can prepare for an orderly power-down. The low-input current at this pin allows for large resistor values in the divider.

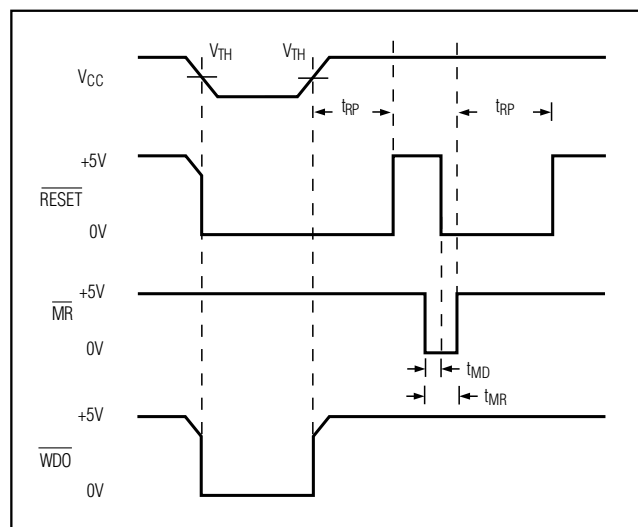


Figure 6. MAX6701(A)/MAX6702(A)/MAX6703(A)/MAX6705(A)/MAX6706(A)/MAX6707(A) RESET, MR, and WDO Timing with WDI Three-States

Low-Voltage, SOT23 μ P Supervisors with Power-Fail In/Out, Manual Reset, and Watchdog Timer

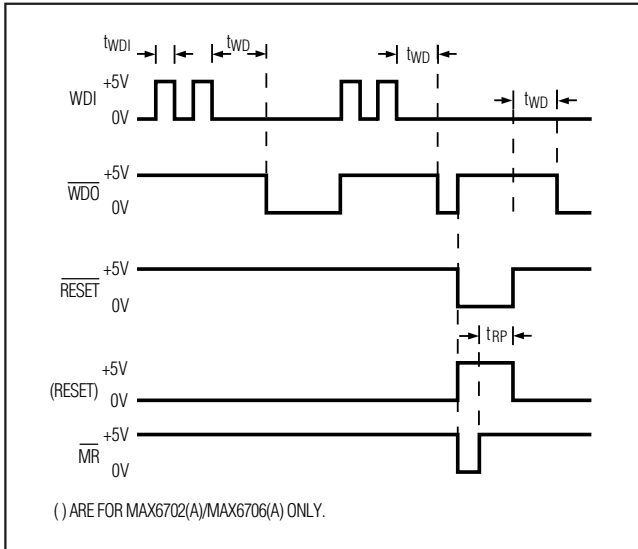


Figure 7. MAX6701(A)/MAX6702(A)/MAX6703(A)/MAX6705(A)/MAX6706(A)/MAX6707(A) Watchdog Timing

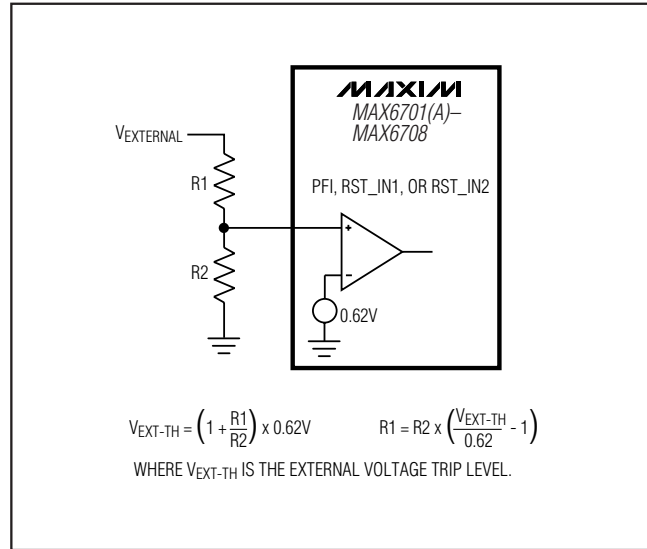


Figure 8. Calculating Adjustable Voltage Thresholds

Reset Input

The MAX6701(A)/MAX6702(A)/MAX6703(A) include two adjustable reset inputs for monitoring up to a total of three system voltages (including V_{CC}). The thresholds for the monitored RST_IN supplies are externally set with resistor-divider networks (Figure 8). The reset output is asserted if any of the monitored supplies (V_{CC} , RST_IN1, or RST_IN2) go below its specified threshold and remains asserted for the reset timeout period after all supplies are above their thresholds.

Applications Information

Ensuring a Valid $\overline{\text{RESET}}$ Output Down to $V_{CC} = 0$

When V_{CC} falls below 1V, the MAX6701–MAX6708 $\overline{\text{RESET}}$ output no longer sinks current—it becomes an open circuit. High-impedance CMOS logic inputs can drift to undetermined voltages if left undriven. If a pull-down resistor is added to the $\overline{\text{RESET}}$ pin as shown in Figure 9, any stray charge or leakage currents are drained to ground, holding $\overline{\text{RESET}}$ low. A resistor value ($R1$) is not critical; 100k Ω is large enough not to load $\overline{\text{RESET}}$ and small enough to pull $\overline{\text{RESET}}$ to ground. This application works for push-pull output only (not for open-drain resets).

Monitoring Other System Voltages

Other systems can be monitored by connecting a voltage-divider to PFI and adjusting the ratio appropriately. In noisy systems, a capacitor between PFI and GND reduces the power-fail circuit's sensitivity to high-frequency noise on the line being monitored. Reset can be asserted on other voltages in addition to the V_{CC} supply line. Connect $\overline{\text{PFO}}$ to $\overline{\text{MR}}$ to initiate a reset output pulse when PFI drops below 0.62V. Figure 10 shows the MAX6704–MAX6708 configured to assert a reset output when the secondary supply falls below the reset threshold.

Generating a Reset from Watchdog Overflow

Connect $\overline{\text{WDO}}$ to $\overline{\text{MR}}$ to force a watchdog timeout to generate a reset pulse for only the reset timeout period on the MAX6701(A)/MAX6702(A)/MAX6703(A)/MAX6705(A)/MAX6706(A)/MAX6707(A). When the MAX6704 watchdog times out, reset outputs are automatically asserted (no external connections required). For the MAX6701/MAX6702/MAX6703/MAX6705/MAX6706/MAX6707 non-A versions, do not connect $\overline{\text{WDO}}$ to $\overline{\text{MR}}$; this creates a locked condition.

Low-Voltage, SOT23 μ P Supervisors with Power-Fail In/Out, Manual Reset, and Watchdog Timer

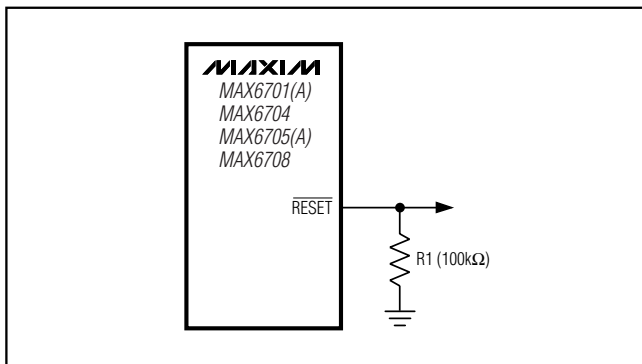


Figure 9. $\overline{\text{RESET}}$ Valid to Ground Circuit

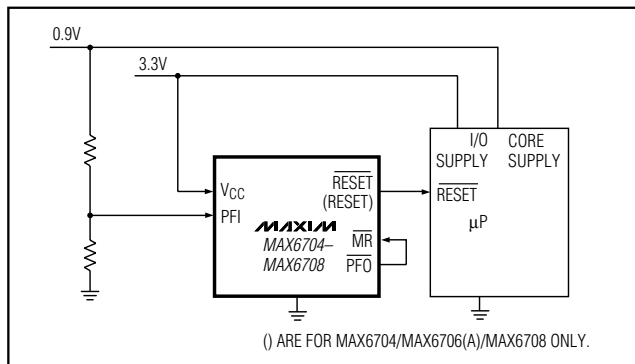


Figure 10. Monitoring Other System Voltages

Selector Guide

PART	$\overline{\text{RESET}}$ PP LOW	RESET PP HIGH	$\overline{\text{RESET}}$ OD-LOW	WDI	$\overline{\text{WDO}}$	PFI, PFO	RST_IN1, RST_IN2
MAX6701	✓	—	—	✓	✓ PP	—	✓
MAX6701A*	✓	—	—	✓	✓ PP	—	✓
MAX6702	—	✓	—	✓	✓ PP	—	✓
MAX6702A*	—	✓	—	✓	✓ PP	—	✓
MAX6703	—	—	✓	✓	✓ OD	—	✓
MAX6703A*	—	—	✓	✓	✓ OD	—	✓
MAX6704	✓	✓	—	✓	—	✓ PP	—
MAX6705	✓	—	—	✓	✓ PP	✓ PP	—
MAX6705A*	✓	—	—	✓	✓ PP	✓ PP	—
MAX6706	—	✓	—	✓	✓ PP	✓ PP	—
MAX6706A*	—	✓	—	✓	✓ PP	✓ PP	—
MAX6707	—	—	✓	✓	✓ OD	✓ OD	—
MAX6707A*	—	—	✓	✓	✓ OD	✓ OD	—
MAX6708	✓	✓	—	—	—	✓ PP	—

PP = push-pull, OD = open drain.

* $\overline{\text{WDO}}$ deasserts when $\overline{\text{MR}}$ is pulled low. See the Standard- vs. A-Version Comparison section for the differences on $\overline{\text{WDO}}$.

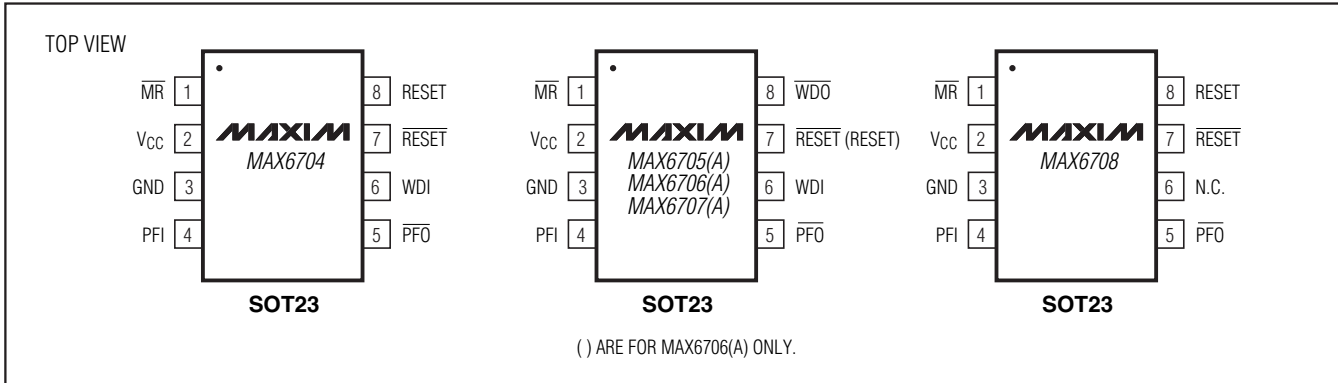
Threshold Suffix Guide

SUFFIX	RESET THRESHOLD (V)
L	4.63
M	4.38
T	3.08
S	2.93
R	2.63
Z	2.32
Y	2.19

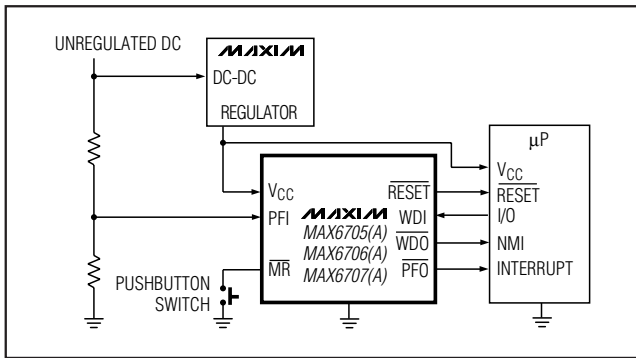
Bold indicates standard version.

Low-Voltage, SOT23 μ P Supervisors with Power-Fail In/Out, Manual Reset, and Watchdog Timer

Pin Configurations (continued)



Typical Operating Circuit



Ordering Information (continued)

PART	TEMP RANGE	PIN-PACKAGE
MAX6702_ KA-T	-40°C to +125°C	8 SOT23-8
MAX6702A_	-40°C to +125°C	8 SOT23-8
MAX6703_ KA-T	-40°C to +125°C	8 SOT23-8
MAX6703A_	-40°C to +125°C	8 SOT23-8
MAX6704_ KA-T	-40°C to +125°C	8 SOT23-8
MAX6705_ KA-T	-40°C to +125°C	8 SOT23-8
MAX6705A_	-40°C to +125°C	8 SOT23-8
MAX6706_ KA-T	-40°C to +125°C	8 SOT23-8
MAX6706A_	-40°C to +125°C	8 SOT23-8
MAX6707_ KA-T	-40°C to +125°C	8 SOT23-8
MAX6707A_	-40°C to +125°C	8 SOT23-8
MAX6708_ KA-T	-40°C to +125°C	8 SOT23-8

Insert the desired suffix letter (from the Threshold Suffix Guide table) into the blank to complete the part number. All devices must be ordered in increments of 2500 pieces. Sample stock is typically held on standard versions only. Contact factory for availability.

Devices are available in both leaded and lead-free packaging. Specify lead-free by replacing "-T" with "+T" when ordering.

Chip Information

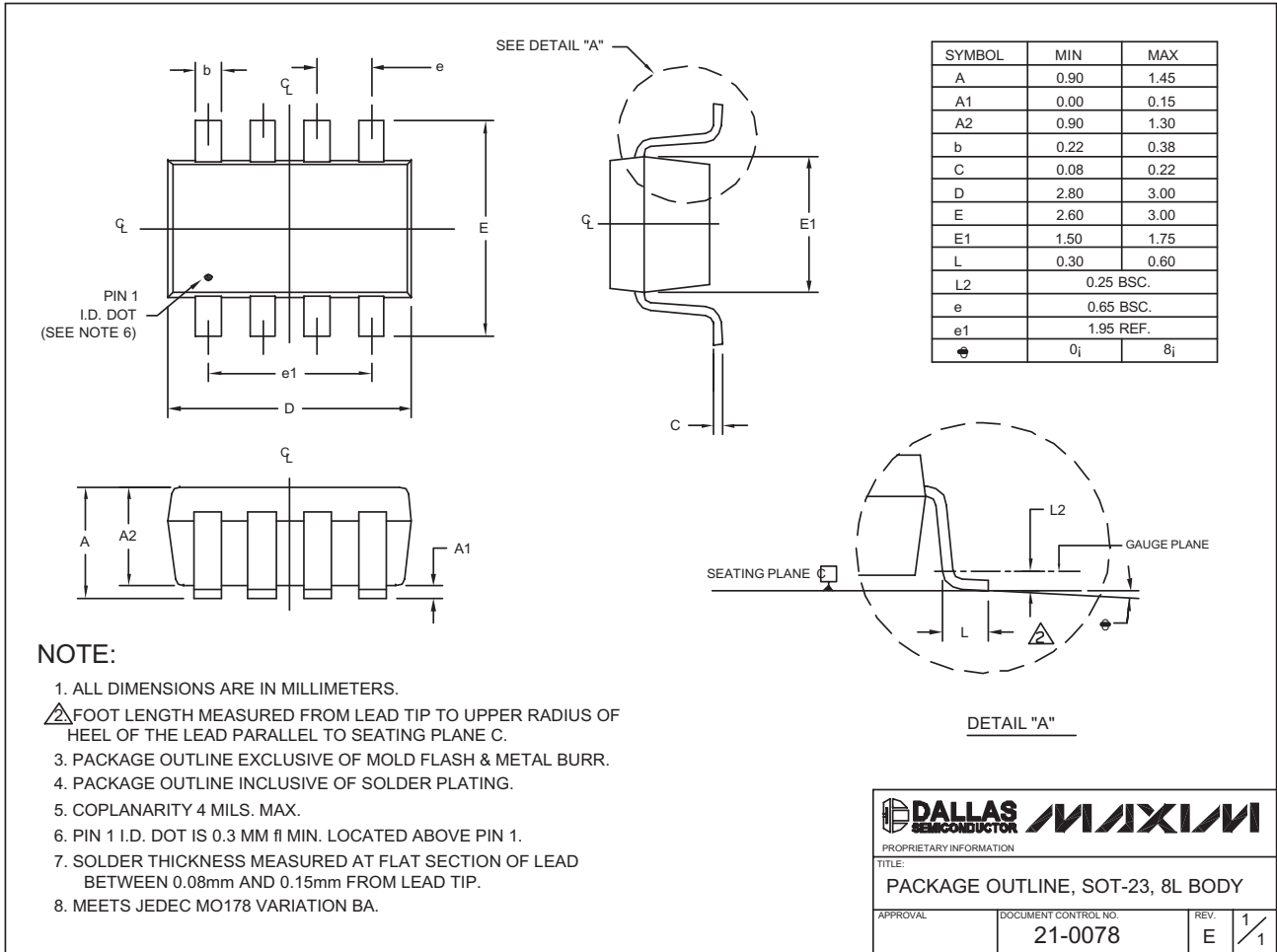
TRANSISTOR COUNT: 716

PROCESS: BiCMOS

Low-Voltage, SOT23 μ P Supervisors with Power-Fail In/Out, Manual Reset, and Watchdog Timer

Package Information

(The package drawing(s) in this data sheet may not reflect the most current specifications. For the latest package outline information, go to www.maxim-ic.com/packages.)



SOT23, 8L, EPS

Maxim cannot assume responsibility for use of any circuitry other than circuitry entirely embodied in a Maxim product. No circuit patent licenses are implied. Maxim reserves the right to change the circuitry and specifications without notice at any time.

12 Maxim Integrated Products, 120 San Gabriel Drive, Sunnyvale, CA 94086 408-737-7600

MAX6701A - Part Number Table - Maxim/Dallas

ENGLISH • 简体中文 • 日本語



WHAT'S NEW PRODUCTS SOLUTIONS DESIGN APPNOTES SUPPORT BUY COMPANY M

MAX6701A

Part Number Table

- Notes:
1. See the [MAX6701A QuickView Data Sheet](#) for further information on this product family or download the [MAX6701A full data sheet](#) (PDF, 200kB).
 2. Other options and links for purchasing parts are listed at: <http://www.maxim-ic.com/sales>.
 3. [Didn't Find What You Need?](#) Ask our applications engineers. Expert assistance in finding parts, usually within one business day.
 4. Part number suffixes: T or T&R = tape and reel; + = RoHS/lead-free; # = RoHS/lead-exempt. More: See [data sheet](#) or [Part Naming Conventions](#).
 5. * Some packages have variations, listed on the drawing. "PkgCode/Variation" tells which variation the product uses.

Part Number	Free Sample	Buy Direct	Package: TYPE PINS SIZE DRAWING CODE/VAR *	Temp	RoHS/Lead-Free Materials Analy
MAX6701AZKA	<input type="button" value="Sample"/>	<input type="button" value="Buy"/>	SOT-23;8 pin; Dwg: 21-0078F (PDF) Use pkgcode/variation: K8-2*	-40°C to +125°C	RoHS/Lead-Free Materials Analy
MAX6701ALKA	<input type="button" value="Sample"/>	<input type="button" value="Buy"/>	SOT-23;8 pin; Dwg: 21-0078F (PDF) Use pkgcode/variation: K8-2*	-40°C to +125°C	RoHS/Lead-Free Materials Analy
MAX6701AMKA+	<input type="button" value="Sample"/>	<input type="button" value="Buy"/>	SOT-23;8 pin; Dwg: 21-0078F (PDF) Use pkgcode/variation: K8+2*	-40°C to +125°C	RoHS/Lead-Free Materials Analy
MAX6701AMKA	<input type="button" value="Sample"/>	<input type="button" value="Buy"/>	SOT-23;8 pin; Dwg: 21-0078F (PDF) Use pkgcode/variation: K8-2*	-40°C to +125°C	RoHS/Lead-Free Materials Analy
MAX6701ARKA+	<input type="button" value="Sample"/>	<input type="button" value="Buy"/>	SOT-23;8 pin; Dwg: 21-0078F (PDF) Use pkgcode/variation: K8+2*	-40°C to +125°C	RoHS/Lead-Free Materials Analy
MAX6701ARKA	<input type="button" value="Sample"/>	<input type="button" value="Buy"/>	SOT-23;8 pin; Dwg: 21-0078F (PDF)	-40°C to +125°C	RoHS/Lead-Free Materials Analy

MAX6701A - Part Number Table - Maxim/Dallas

MAX6701ASKA+	Sample	Buy	Use pkgcode/variation: K8-2* SOT-23;8 pin; Dwg: 21-0078F (PDF) Use pkgcode/variation: K8+2*	-40°C to +125°C	RoHS/Lead-Fre	Materials Analy
MAX6701ASKA	Sample	Buy	SOT-23;8 pin; Dwg: 21-0078F (PDF) Use pkgcode/variation: K8-2*	-40°C to +125°C	RoHS/Lead-Fre	Materials Analy
MAX6701ATKA+	Sample	Buy	SOT-23;8 pin; Dwg: 21-0078F (PDF) Use pkgcode/variation: K8+2*	-40°C to +125°C	RoHS/Lead-Fre	Materials Analy
MAX6701ATKA	Sample	Buy	SOT-23;8 pin; Dwg: 21-0078F (PDF) Use pkgcode/variation: K8-2*	-40°C to +125°C	RoHS/Lead-Fre	Materials Analy
MAX6701AYKA+	Sample	Buy	SOT-23;8 pin; Dwg: 21-0078F (PDF) Use pkgcode/variation: K8+2*	-40°C to +125°C	RoHS/Lead-Fre	Materials Analy
MAX6701AYKA	Sample	Buy	SOT-23;8 pin; Dwg: 21-0078F (PDF) Use pkgcode/variation: K8-2*	-40°C to +125°C	RoHS/Lead-Fre	Materials Analy
MAX6701AZKA+	Sample	Buy	SOT-23;8 pin; Dwg: 21-0078F (PDF) Use pkgcode/variation: K8+2*	-40°C to +125°C	RoHS/Lead-Fre	Materials Analy
MAX6701ALKA+	Sample	Buy	SOT-23;8 pin; Dwg: 21-0078F (PDF) Use pkgcode/variation: K8+2*	-40°C to +125°C	RoHS/Lead-Fre	Materials Analy
MAX6701AZKA+T		Buy	SOT-23;8 pin; Dwg: 21-0078F (PDF) Use pkgcode/variation: K8+2*	-40°C to +125°C	RoHS/Lead-Fre	Materials Analy
MAX6701AMKA-T		Buy	SOT-23;8 pin; Dwg: 21-0078F (PDF) Use pkgcode/variation: K8-2*	-40°C to +125°C	RoHS/Lead-Fre	Materials Analy
MAX6701ARKA-T		Buy	SOT-23;8 pin; Dwg: 21-0078F (PDF) Use pkgcode/variation: K8-2*	-40°C to +125°C	RoHS/Lead-Fre	Materials Analy
MAX6701ASKA-T		Buy	SOT-23;8 pin; Dwg: 21-0078F (PDF) Use pkgcode/variation: K8-2*	-40°C to +125°C	RoHS/Lead-Fre	Materials Analy
MAX6701ATKA-T		Buy	SOT-23;8 pin; Dwg: 21-0078F (PDF) Use pkgcode/variation: K8-2*	-40°C to +125°C	RoHS/Lead-Fre	Materials Analy
MAX6701AYKA-T		Buy	SOT-23;8 pin; Dwg: 21-0078F (PDF) Use pkgcode/variation: K8-2*	-40°C to +125°C	RoHS/Lead-Fre	Materials Analy

MAX6701A - Part Number Table - Maxim/Dallas

MAX6701AZKA-T	Buy	SOT-23;8 pin; Dwg: 21-0078F (PDF) Use pkgcode/variation: K8-2*	-40°C to +125°C	RoHS/Lead-Fre Materials Analy
MAX6701ALKA+T	Buy	SOT-23;8 pin; Dwg: 21-0078F (PDF) Use pkgcode/variation: K8+2*	-40°C to +125°C	RoHS/Lead-Fre Materials Analy
MAX6701AMKA+T	Buy	SOT-23;8 pin; Dwg: 21-0078F (PDF) Use pkgcode/variation: K8+2*	-40°C to +125°C	RoHS/Lead-Fre Materials Analy
MAX6701ARKA+T	Buy	SOT-23;8 pin; Dwg: 21-0078F (PDF) Use pkgcode/variation: K8+2*	-40°C to +125°C	RoHS/Lead-Fre Materials Analy
MAX6701ASKA+T	Buy	SOT-23;8 pin; Dwg: 21-0078F (PDF) Use pkgcode/variation: K8+2*	-40°C to +125°C	RoHS/Lead-Fre Materials Analy
MAX6701ATKA+T	Buy	SOT-23;8 pin; Dwg: 21-0078F (PDF) Use pkgcode/variation: K8+2*	-40°C to +125°C	RoHS/Lead-Fre Materials Analy
MAX6701AYKA+T	Buy	SOT-23;8 pin; Dwg: 21-0078F (PDF) Use pkgcode/variation: K8+2*	-40°C to +125°C	RoHS/Lead-Fre Materials Analy
MAX6701ALKA-T	Buy	SOT-23;8 pin; Dwg: 21-0078F (PDF) Use pkgcode/variation: K8-2*	-40°C to +125°C	RoHS/Lead-Fre Materials Analy

[Didn't Find What You Need?](#)

[CONTACT US: SEND US AN EMAIL](#)

Copyright © 2007 by Maxim Integrated Products, Dallas Semiconductor • [Legal Notices](#) • [Privacy Policy](#)

MAX6702A - Part Number Table - Maxim/Dallas

ENGLISH • 简体中文 • 日本語



WHAT'S NEW PRODUCTS SOLUTIONS DESIGN APPNOTES SUPPORT BUY COMPANY M

MAX6702A

Part Number Table

Notes:

1. See the [MAX6702A QuickView Data Sheet](#) for further information on this product family or download the [MAX6702A full data sheet](#) (PDF, 200kB).
2. Other options and links for purchasing parts are listed at: <http://www.maxim-ic.com/sales>.
3. [Didn't Find What You Need?](#) Ask our applications engineers. Expert assistance in finding parts, usually within one business day.
4. Part number suffixes: T or T&R = tape and reel; + = RoHS/lead-free; # = RoHS/lead-exempt. More: See [data sheet](#) or [Part Naming Conventions](#).
5. * Some packages have variations, listed on the drawing. "PkgCode/Variation" tells which variation the product uses.

Part Number	Free Sample	Buy Direct	Package: TYPE PINS SIZE DRAWING CODE/VAR *	Temp	RoHS/Lead-Free Materials Analy
MAX6702AYKA+	<input type="button" value="Sample"/>	<input type="button" value="Buy"/>		-40°C to +125°C	RoHS/Lead-Free
MAX6702ATKA+	<input type="button" value="Sample"/>	<input type="button" value="Buy"/>		-40°C to +125°C	RoHS/Lead-Free
MAX6702AZKA	<input type="button" value="Sample"/>	<input type="button" value="Buy"/>	SOT-23;8 pin; Dwg: 21-0078F (PDF) Use pkgcode/variation: K8-2*	-40°C to +125°C	RoHS/Lead-Free Materials Analy
MAX6702ALKA	<input type="button" value="Sample"/>	<input type="button" value="Buy"/>	SOT-23;8 pin; Dwg: 21-0078F (PDF) Use pkgcode/variation: K8-2*	-40°C to +125°C	RoHS/Lead-Free Materials Analy
MAX6702AMKA+	<input type="button" value="Sample"/>	<input type="button" value="Buy"/>	SOT-23;8 pin; Dwg: 21-0078F (PDF) Use pkgcode/variation: K8+2*	-40°C to +125°C	RoHS/Lead-Free Materials Analy
MAX6702AMKA	<input type="button" value="Sample"/>	<input type="button" value="Buy"/>	SOT-23;8 pin; Dwg: 21-0078F (PDF)	-40°C to +125°C	RoHS/Lead-Free Materials Analy

MAX6702A - Part Number Table - Maxim/Dallas

MAX6702ARKA+	Sample	Buy	Use pkgcode/variation: K8-2* SOT-23;8 pin; Dwg: 21-0078F (PDF) Use pkgcode/variation: K8+2*	-40°C to +125°C	RoHS/Lead-Fre	Materials Analy
MAX6702ARKA	Sample	Buy	SOT-23;8 pin; Dwg: 21-0078F (PDF) Use pkgcode/variation: K8-2*	-40°C to +125°C	RoHS/Lead-Fre	Materials Analy
MAX6702ASKA+	Sample	Buy	SOT-23;8 pin; Dwg: 21-0078F (PDF) Use pkgcode/variation: K8+2*	-40°C to +125°C	RoHS/Lead-Fre	Materials Analy
MAX6702ASKA	Sample	Buy	SOT-23;8 pin; Dwg: 21-0078F (PDF) Use pkgcode/variation: K8-2*	-40°C to +125°C	RoHS/Lead-Fre	Materials Analy
MAX6702ATKA	Sample	Buy	SOT-23;8 pin; Dwg: 21-0078F (PDF) Use pkgcode/variation: K8-2*	-40°C to +125°C	RoHS/Lead-Fre	Materials Analy
MAX6702AYKA	Sample	Buy	SOT-23;8 pin; Dwg: 21-0078F (PDF) Use pkgcode/variation: K8-2*	-40°C to +125°C	RoHS/Lead-Fre	Materials Analy
MAX6702AZKA+	Sample	Buy	SOT-23;8 pin; Dwg: 21-0078F (PDF) Use pkgcode/variation: K8+2*	-40°C to +125°C	RoHS/Lead-Fre	Materials Analy
MAX6702ALKA+	Sample	Buy	SOT-23;8 pin; Dwg: 21-0078F (PDF) Use pkgcode/variation: K8+2*	-40°C to +125°C	RoHS/Lead-Fre	Materials Analy
MAX6702AZKA+T		Buy	SOT-23;8 pin; Dwg: 21-0078F (PDF) Use pkgcode/variation: K8+2*	-40°C to +125°C	RoHS/Lead-Fre	Materials Analy
MAX6702AMKA-T		Buy	SOT-23;8 pin; Dwg: 21-0078F (PDF) Use pkgcode/variation: K8-2*	-40°C to +125°C	RoHS/Lead-Fre	Materials Analy
MAX6702ARKA-T		Buy	SOT-23;8 pin; Dwg: 21-0078F (PDF) Use pkgcode/variation: K8-2*	-40°C to +125°C	RoHS/Lead-Fre	Materials Analy
MAX6702ASKA-T		Buy	SOT-23;8 pin; Dwg: 21-0078F (PDF) Use pkgcode/variation: K8-2*	-40°C to +125°C	RoHS/Lead-Fre	Materials Analy
MAX6702ATKA-T		Buy	SOT-23;8 pin; Dwg: 21-0078F (PDF) Use pkgcode/variation: K8-2*	-40°C to +125°C	RoHS/Lead-Fre	Materials Analy
MAX6702AYKA-T		Buy	SOT-23;8 pin; Dwg: 21-0078F (PDF) Use pkgcode/variation: K8-2*	-40°C to +125°C	RoHS/Lead-Fre	Materials Analy

MAX6702A - Part Number Table - Maxim/Dallas

MAX6702AZKA-T	Buy	SOT-23;8 pin; Dwg: 21-0078F (PDF) Use pkgcode/variation: K8-2*	-40°C to +125°C	RoHS/Lead-Fre Materials Analy
MAX6702ALKA+T	Buy	SOT-23;8 pin; Dwg: 21-0078F (PDF) Use pkgcode/variation: K8+2*	-40°C to +125°C	RoHS/Lead-Fre Materials Analy
MAX6702AMKA+T	Buy	SOT-23;8 pin; Dwg: 21-0078F (PDF) Use pkgcode/variation: K8+2*	-40°C to +125°C	RoHS/Lead-Fre Materials Analy
MAX6702ARKA+T	Buy	SOT-23;8 pin; Dwg: 21-0078F (PDF) Use pkgcode/variation: K8+2*	-40°C to +125°C	RoHS/Lead-Fre Materials Analy
MAX6702ASKA+T	Buy	SOT-23;8 pin; Dwg: 21-0078F (PDF) Use pkgcode/variation: K8+2*	-40°C to +125°C	RoHS/Lead-Fre Materials Analy
MAX6702ATKA+T	Buy	SOT-23;8 pin; Dwg: 21-0078F (PDF) Use pkgcode/variation: K8+2*	-40°C to +125°C	RoHS/Lead-Fre Materials Analy
MAX6702AYKA+T	Buy		-40°C to +125°C	RoHS/Lead-Fre
MAX6702ALKA-T	Buy	SOT-23;8 pin; Dwg: 21-0078F (PDF) Use pkgcode/variation: K8-2*	-40°C to +125°C	RoHS/Lead-Fre Materials Analy

[Didn't Find What You Need?](#)

[CONTACT US: SEND US AN EMAIL](#)

Copyright © 2007 by Maxim Integrated Products, Dallas Semiconductor • [Legal Notices](#) • [Privacy Policy](#)

MAX6703A - Part Number Table - Maxim/Dallas

ENGLISH • 简体中文 • 日本語



WHAT'S NEW PRODUCTS SOLUTIONS DESIGN APPNOTES SUPPORT BUY COMPANY M

MAX6703A

Part Number Table

Notes:

1. See the [MAX6703A QuickView Data Sheet](#) for further information on this product family or download the [MAX6703A full data sheet](#) (PDF, 200kB).
2. Other options and links for purchasing parts are listed at: <http://www.maxim-ic.com/sales>.
3. [Didn't Find What You Need?](#) Ask our applications engineers. Expert assistance in finding parts, usually within one business day.
4. Part number suffixes: T or T&R = tape and reel; + = RoHS/lead-free; # = RoHS/lead-exempt. More: See [data sheet](#) or [Part Naming Conventions](#).
5. * Some packages have variations, listed on the drawing. "PkgCode/Variation" tells which variation the product uses.

Part Number	Free Sample	Buy Direct	Package: TYPE PINS SIZE DRAWING CODE/VAR *	Temp	RoHS/Lead-Free Materials Analy
MAX6703AZKA	<input type="button" value="Sample"/>	<input type="button" value="Buy"/>	SOT-23;8 pin; Dwg: 21-0078F (PDF) Use pkgcode/variation: K8-2*	-40°C to +125°C	RoHS/Lead-Free Materials Analy
MAX6703ALKA	<input type="button" value="Sample"/>	<input type="button" value="Buy"/>	SOT-23;8 pin; Dwg: 21-0078F (PDF) Use pkgcode/variation: K8-2*	-40°C to +125°C	RoHS/Lead-Free Materials Analy
MAX6703AMKA+	<input type="button" value="Sample"/>	<input type="button" value="Buy"/>	SOT-23;8 pin; Dwg: 21-0078F (PDF) Use pkgcode/variation: K8+2*	-40°C to +125°C	RoHS/Lead-Free Materials Analy
MAX6703AMKA		<input type="button" value="Buy"/>	SOT-23;8 pin; Dwg: 21-0078F (PDF) Use pkgcode/variation: K8-2*	-40°C to +125°C	RoHS/Lead-Free Materials Analy
MAX6703ARKA+	<input type="button" value="Sample"/>	<input type="button" value="Buy"/>	SOT-23;8 pin; Dwg: 21-0078F (PDF) Use pkgcode/variation: K8+2*	-40°C to +125°C	RoHS/Lead-Free Materials Analy
MAX6703ARKA	<input type="button" value="Sample"/>	<input type="button" value="Buy"/>	SOT-23;8 pin; Dwg: 21-0078F (PDF)	-40°C to +125°C	RoHS/Lead-Free Materials Analy

MAX6703A - Part Number Table - Maxim/Dallas

MAX6703ASKA+	Sample	Buy	Use pkgcode/variation: K8-2* SOT-23;8 pin; Dwg: 21-0078F (PDF) Use pkgcode/variation: K8+2*	-40°C to +125°C	RoHS/Lead-Fre	Materials Analy
MAX6703ASKA	Sample	Buy	SOT-23;8 pin; Dwg: 21-0078F (PDF) Use pkgcode/variation: K8-2*	-40°C to +125°C	RoHS/Lead-Fre	Materials Analy
MAX6703ATKA+	Sample	Buy	SOT-23;8 pin; Dwg: 21-0078F (PDF) Use pkgcode/variation: K8+2*	-40°C to +125°C	RoHS/Lead-Fre	Materials Analy
MAX6703ATKA	Sample	Buy	SOT-23;8 pin; Dwg: 21-0078F (PDF) Use pkgcode/variation: K8-2*	-40°C to +125°C	RoHS/Lead-Fre	Materials Analy
MAX6703AYKA+	Sample	Buy	SOT-23;8 pin; Dwg: 21-0078F (PDF) Use pkgcode/variation: K8+2*	-40°C to +125°C	RoHS/Lead-Fre	Materials Analy
MAX6703AYKA		Buy	SOT-23;8 pin; Dwg: 21-0078F (PDF) Use pkgcode/variation: K8-2*	-40°C to +125°C	RoHS/Lead-Fre	Materials Analy
MAX6703AZKA+	Sample	Buy	SOT-23;8 pin; Dwg: 21-0078F (PDF) Use pkgcode/variation: K8+2*	-40°C to +125°C	RoHS/Lead-Fre	Materials Analy
MAX6703ALKA+	Sample	Buy	SOT-23;8 pin; Dwg: 21-0078F (PDF) Use pkgcode/variation: K8+2*	-40°C to +125°C	RoHS/Lead-Fre	Materials Analy
MAX6703AZKA+T		Buy	SOT-23;8 pin; Dwg: 21-0078F (PDF) Use pkgcode/variation: K8+2*	-40°C to +125°C	RoHS/Lead-Fre	Materials Analy
MAX6703AMKA-T		Buy	SOT-23;8 pin; Dwg: 21-0078F (PDF) Use pkgcode/variation: K8-2*	-40°C to +125°C	RoHS/Lead-Fre	Materials Analy
MAX6703ARKA-T		Buy	SOT-23;8 pin; Dwg: 21-0078F (PDF) Use pkgcode/variation: K8-2*	-40°C to +125°C	RoHS/Lead-Fre	Materials Analy
MAX6703ASKA-T		Buy	SOT-23;8 pin; Dwg: 21-0078F (PDF) Use pkgcode/variation: K8-2*	-40°C to +125°C	RoHS/Lead-Fre	Materials Analy
MAX6703ATKA-T		Buy	SOT-23;8 pin; Dwg: 21-0078F (PDF) Use pkgcode/variation: K8-2*	-40°C to +125°C	RoHS/Lead-Fre	Materials Analy
MAX6703AYKA-T		Buy	SOT-23;8 pin; Dwg: 21-0078F (PDF) Use pkgcode/variation: K8-2*	-40°C to +125°C	RoHS/Lead-Fre	Materials Analy

MAX6703A - Part Number Table - Maxim/Dallas

MAX6703AZKA-T	Buy	SOT-23;8 pin; Dwg: 21-0078F (PDF) Use pkgcode/variation: K8-2*	-40°C to +125°C	RoHS/Lead-Free Materials Analy
MAX6703ALKA+T	Buy	SOT-23;8 pin; Dwg: 21-0078F (PDF) Use pkgcode/variation: K8+2*	-40°C to +125°C	RoHS/Lead-Free Materials Analy
MAX6703AMKA+T	Buy	SOT-23;8 pin; Dwg: 21-0078F (PDF) Use pkgcode/variation: K8+2*	-40°C to +125°C	RoHS/Lead-Free Materials Analy
MAX6703ARKA+T	Buy	SOT-23;8 pin; Dwg: 21-0078F (PDF) Use pkgcode/variation: K8+2*	-40°C to +125°C	RoHS/Lead-Free Materials Analy
MAX6703ASKA+T	Buy	SOT-23;8 pin; Dwg: 21-0078F (PDF) Use pkgcode/variation: K8+2*	-40°C to +125°C	RoHS/Lead-Free Materials Analy
MAX6703ATKA+T	Buy	SOT-23;8 pin; Dwg: 21-0078F (PDF) Use pkgcode/variation: K8+2*	-40°C to +125°C	RoHS/Lead-Free Materials Analy
MAX6703AYKA+T	Buy	SOT-23;8 pin; Dwg: 21-0078F (PDF) Use pkgcode/variation: K8+2*	-40°C to +125°C	RoHS/Lead-Free Materials Analy
MAX6703ALKA-T	Buy	SOT-23;8 pin; Dwg: 21-0078F (PDF) Use pkgcode/variation: K8-2*	-40°C to +125°C	RoHS/Lead-Free Materials Analy

[Didn't Find What You Need?](#)

[CONTACT US: SEND US AN EMAIL](#)

Copyright © 2007 by Maxim Integrated Products, Dallas Semiconductor • [Legal Notices](#) • [Privacy Policy](#)



WHAT'S NEW PRODUCTS SOLUTIONS DESIGN APPNOTES SUPPORT BUY COMPANY M

MAX6705A

Part Number Table

Notes:

1. See the [MAX6705A QuickView Data Sheet](#) for further information on this product family or download the [MAX6705A full data sheet](#) (PDF, 200kB).
2. Other options and links for purchasing parts are listed at: <http://www.maxim-ic.com/sales>.
3. [Didn't Find What You Need?](#) Ask our applications engineers. Expert assistance in finding parts, usually within one business day.
4. Part number suffixes: T or T&R = tape and reel; + = RoHS/lead-free; # = RoHS/lead-exempt. More: See [data sheet](#) or [Part Naming Conventions](#).
5. * Some packages have variations, listed on the drawing. "PkgCode/Variation" tells which variation the product uses.

Part Number	Free Sample	Buy Direct	Package: TYPE PINS SIZE DRAWING CODE/VAR *	Temp	RoHS/Lead-Free Materials Analy
MAX6705AZKA	<input type="button" value="Sample"/>	<input type="button" value="Buy"/>	SOT-23;8 pin; Dwg: 21-0078F (PDF) Use pkgcode/variation: K8-2*	-40°C to +125°C	RoHS/Lead-Free Materials Analy
MAX6705ALKA	<input type="button" value="Sample"/>	<input type="button" value="Buy"/>	SOT-23;8 pin; Dwg: 21-0078F (PDF) Use pkgcode/variation: K8-2*	-40°C to +125°C	RoHS/Lead-Free Materials Analy
MAX6705AMKA+	<input type="button" value="Sample"/>	<input type="button" value="Buy"/>	SOT-23;8 pin; Dwg: 21-0078F (PDF) Use pkgcode/variation: K8+2*	-40°C to +125°C	RoHS/Lead-Free Materials Analy
MAX6705AMKA	<input type="button" value="Sample"/>	<input type="button" value="Buy"/>	SOT-23;8 pin; Dwg: 21-0078F (PDF) Use pkgcode/variation: K8-2*	-40°C to +125°C	RoHS/Lead-Free Materials Analy
MAX6705ARKA+	<input type="button" value="Sample"/>	<input type="button" value="Buy"/>	SOT-23;8 pin; Dwg: 21-0078F (PDF) Use pkgcode/variation: K8+2*	-40°C to +125°C	RoHS/Lead-Free Materials Analy
MAX6705ARKA	<input type="button" value="Sample"/>	<input type="button" value="Buy"/>	SOT-23;8 pin; Dwg: 21-0078F (PDF)	-40°C to +125°C	RoHS/Lead-Free Materials Analy

MAX6705A - Part Number Table - Maxim/Dallas

MAX6705ASKA+	Sample	Buy	Use pkgcode/variation: K8-2* SOT-23;8 pin; Dwg: 21-0078F (PDF) Use pkgcode/variation: K8+2*	-40°C to +125°C	RoHS/Lead-Fre	Materials Analy
MAX6705ASKA	Sample	Buy	SOT-23;8 pin; Dwg: 21-0078F (PDF) Use pkgcode/variation: K8-2*	-40°C to +125°C	RoHS/Lead-Fre	Materials Analy
MAX6705ATKA+	Sample	Buy	SOT-23;8 pin; Dwg: 21-0078F (PDF) Use pkgcode/variation: K8+2*	-40°C to +125°C	RoHS/Lead-Fre	Materials Analy
MAX6705ATKA	Sample	Buy	SOT-23;8 pin; Dwg: 21-0078F (PDF) Use pkgcode/variation: K8-2*	-40°C to +125°C	RoHS/Lead-Fre	Materials Analy
MAX6705AYKA+	Sample	Buy	SOT-23;8 pin; Dwg: 21-0078F (PDF) Use pkgcode/variation: K8+2*	-40°C to +125°C	RoHS/Lead-Fre	Materials Analy
MAX6705AYKA		Buy	SOT-23;8 pin; Dwg: 21-0078F (PDF) Use pkgcode/variation: K8-2*	-40°C to +125°C	RoHS/Lead-Fre	Materials Analy
MAX6705AZKA+	Sample	Buy	SOT-23;8 pin; Dwg: 21-0078F (PDF) Use pkgcode/variation: K8+2*	-40°C to +125°C	RoHS/Lead-Fre	Materials Analy
MAX6705ALKA+	Sample	Buy	SOT-23;8 pin; Dwg: 21-0078F (PDF) Use pkgcode/variation: K8+2*	-40°C to +125°C	RoHS/Lead-Fre	Materials Analy
MAX6705AZKA+T		Buy	SOT-23;8 pin; Dwg: 21-0078F (PDF) Use pkgcode/variation: K8+2*	-40°C to +125°C	RoHS/Lead-Fre	Materials Analy
MAX6705AMKA-T		Buy	SOT-23;8 pin; Dwg: 21-0078F (PDF) Use pkgcode/variation: K8-2*	-40°C to +125°C	RoHS/Lead-Fre	Materials Analy
MAX6705ARKA-T		Buy	SOT-23;8 pin; Dwg: 21-0078F (PDF) Use pkgcode/variation: K8-2*	-40°C to +125°C	RoHS/Lead-Fre	Materials Analy
MAX6705ASKA-T		Buy	SOT-23;8 pin; Dwg: 21-0078F (PDF) Use pkgcode/variation: K8-2*	-40°C to +125°C	RoHS/Lead-Fre	Materials Analy
MAX6705ATKA-T		Buy	SOT-23;8 pin; Dwg: 21-0078F (PDF) Use pkgcode/variation: K8-2*	-40°C to +125°C	RoHS/Lead-Fre	Materials Analy
MAX6705AYKA-T		Buy	SOT-23;8 pin; Dwg: 21-0078F (PDF) Use pkgcode/variation: K8-2*	-40°C to +125°C	RoHS/Lead-Fre	Materials Analy

MAX6705A - Part Number Table - Maxim/Dallas

MAX6705AZKA-T	Buy	SOT-23;8 pin; Dwg: 21-0078F (PDF) Use pkgcode/variation: K8-2*	-40°C to +125°C	RoHS/Lead-Fre Materials Analy
MAX6705ALKA+T	Buy	SOT-23;8 pin; Dwg: 21-0078F (PDF) Use pkgcode/variation: K8+2*	-40°C to +125°C	RoHS/Lead-Fre Materials Analy
MAX6705AMKA+T	Buy	SOT-23;8 pin; Dwg: 21-0078F (PDF) Use pkgcode/variation: K8+2*	-40°C to +125°C	RoHS/Lead-Fre Materials Analy
MAX6705ARKA+T	Buy	SOT-23;8 pin; Dwg: 21-0078F (PDF) Use pkgcode/variation: K8+2*	-40°C to +125°C	RoHS/Lead-Fre Materials Analy
MAX6705ASKA+T	Buy	SOT-23;8 pin; Dwg: 21-0078F (PDF) Use pkgcode/variation: K8+2*	-40°C to +125°C	RoHS/Lead-Fre Materials Analy
MAX6705ATKA+T	Buy	SOT-23;8 pin; Dwg: 21-0078F (PDF) Use pkgcode/variation: K8+2*	-40°C to +125°C	RoHS/Lead-Fre Materials Analy
MAX6705AYKA+T	Buy	SOT-23;8 pin; Dwg: 21-0078F (PDF) Use pkgcode/variation: K8+2*	-40°C to +125°C	RoHS/Lead-Fre Materials Analy
MAX6705ALKA-T	Buy	SOT-23;8 pin; Dwg: 21-0078F (PDF) Use pkgcode/variation: K8-2*	-40°C to +125°C	RoHS/Lead-Fre Materials Analy

[Didn't Find What You Need?](#)

[CONTACT US: SEND US AN EMAIL](#)

Copyright © 2007 by Maxim Integrated Products, Dallas Semiconductor • [Legal Notices](#) • [Privacy Policy](#)

MAX6706A - Part Number Table - Maxim/Dallas

ENGLISH • 简体中文 • 日本語



WHAT'S NEW PRODUCTS SOLUTIONS DESIGN APPNOTES SUPPORT BUY COMPANY M

MAX6706A

Part Number Table

Notes:

1. See the [MAX6706A QuickView Data Sheet](#) for further information on this product family or download the [MAX6706A full data sheet](#) (PDF, 200kB).
2. Other options and links for purchasing parts are listed at: <http://www.maxim-ic.com/sales>.
3. [Didn't Find What You Need?](#) Ask our applications engineers. Expert assistance in finding parts, usually within one business day.
4. Part number suffixes: T or T&R = tape and reel; + = RoHS/lead-free; # = RoHS/lead-exempt. More: See [data sheet](#) or [Part Naming Conventions](#).
5. * Some packages have variations, listed on the drawing. "PkgCode/Variation" tells which variation the product uses.

Part Number	Free Sample	Buy Direct	Package: TYPE PINS SIZE DRAWING CODE/VAR *	Temp	RoHS/Lead-Free Materials Analy
MAX6706AZKA	<input type="button" value="Sample"/>	<input type="button" value="Buy"/>	SOT-23;8 pin; Dwg: 21-0078F (PDF) Use pkgcode/variation: K8-2*	-40°C to +125°C	RoHS/Lead-Free Materials Analy
MAX6706ALKA	<input type="button" value="Sample"/>	<input type="button" value="Buy"/>	SOT-23;8 pin; Dwg: 21-0078F (PDF) Use pkgcode/variation: K8-2*	-40°C to +125°C	RoHS/Lead-Free Materials Analy
MAX6706AMKA+	<input type="button" value="Sample"/>	<input type="button" value="Buy"/>	SOT-23;8 pin; Dwg: 21-0078F (PDF) Use pkgcode/variation: K8+2*	-40°C to +125°C	RoHS/Lead-Free Materials Analy
MAX6706AMKA	<input type="button" value="Sample"/>	<input type="button" value="Buy"/>	SOT-23;8 pin; Dwg: 21-0078F (PDF) Use pkgcode/variation: K8-2*	-40°C to +125°C	RoHS/Lead-Free Materials Analy
MAX6706ARKA+	<input type="button" value="Sample"/>	<input type="button" value="Buy"/>	SOT-23;8 pin; Dwg: 21-0078F (PDF) Use pkgcode/variation: K8+2*	-40°C to +125°C	RoHS/Lead-Free Materials Analy
MAX6706ARKA	<input type="button" value="Sample"/>	<input type="button" value="Buy"/>	SOT-23;8 pin; Dwg: 21-0078F (PDF)	-40°C to +125°C	RoHS/Lead-Free Materials Analy

MAX6706A - Part Number Table - Maxim/Dallas

MAX6706ASKA+	Sample	Buy	Use pkgcode/variation: K8-2* SOT-23;8 pin; Dwg: 21-0078F (PDF) Use pkgcode/variation: K8+2*	-40°C to +125°C	RoHS/Lead-Fre	Materials Analy
MAX6706ASKA	Sample	Buy	SOT-23;8 pin; Dwg: 21-0078F (PDF) Use pkgcode/variation: K8-2*	-40°C to +125°C	RoHS/Lead-Fre	Materials Analy
MAX6706ATKA+	Sample	Buy	SOT-23;8 pin; Dwg: 21-0078F (PDF) Use pkgcode/variation: K8+2*	-40°C to +125°C	RoHS/Lead-Fre	Materials Analy
MAX6706ATKA		Buy	SOT-23;8 pin; Dwg: 21-0078F (PDF) Use pkgcode/variation: K8-2*	-40°C to +125°C	RoHS/Lead-Fre	Materials Analy
MAX6706AYKA+	Sample	Buy	SOT-23;8 pin; Dwg: 21-0078F (PDF) Use pkgcode/variation: K8+2*	-40°C to +125°C	RoHS/Lead-Fre	Materials Analy
MAX6706AYKA	Sample	Buy	SOT-23;8 pin; Dwg: 21-0078F (PDF) Use pkgcode/variation: K8-2*	-40°C to +125°C	RoHS/Lead-Fre	Materials Analy
MAX6706AZKA+	Sample	Buy	SOT-23;8 pin; Dwg: 21-0078F (PDF) Use pkgcode/variation: K8+2*	-40°C to +125°C	RoHS/Lead-Fre	Materials Analy
MAX6706ALKA+	Sample	Buy	SOT-23;8 pin; Dwg: 21-0078F (PDF) Use pkgcode/variation: K8+2*	-40°C to +125°C	RoHS/Lead-Fre	Materials Analy
MAX6706AZKA+T		Buy	SOT-23;8 pin; Dwg: 21-0078F (PDF) Use pkgcode/variation: K8+2*	-40°C to +125°C	RoHS/Lead-Fre	Materials Analy
MAX6706AMKA-T		Buy	SOT-23;8 pin; Dwg: 21-0078F (PDF) Use pkgcode/variation: K8-2*	-40°C to +125°C	RoHS/Lead-Fre	Materials Analy
MAX6706ARKA-T		Buy	SOT-23;8 pin; Dwg: 21-0078F (PDF) Use pkgcode/variation: K8-2*	-40°C to +125°C	RoHS/Lead-Fre	Materials Analy
MAX6706ASKA-T		Buy	SOT-23;8 pin; Dwg: 21-0078F (PDF) Use pkgcode/variation: K8-2*	-40°C to +125°C	RoHS/Lead-Fre	Materials Analy
MAX6706ATKA-T		Buy	SOT-23;8 pin; Dwg: 21-0078F (PDF) Use pkgcode/variation: K8-2*	-40°C to +125°C	RoHS/Lead-Fre	Materials Analy
MAX6706AYKA-T		Buy	SOT-23;8 pin; Dwg: 21-0078F (PDF) Use pkgcode/variation: K8-2*	-40°C to +125°C	RoHS/Lead-Fre	Materials Analy

MAX6706A - Part Number Table - Maxim/Dallas

MAX6706AZKA-T	Buy	SOT-23;8 pin; Dwg: 21-0078F (PDF) Use pkgcode/variation: K8-2*	-40°C to +125°C	RoHS/Lead-Fre Materials Analy
MAX6706ALKA+T	Buy	SOT-23;8 pin; Dwg: 21-0078F (PDF) Use pkgcode/variation: K8+2*	-40°C to +125°C	RoHS/Lead-Fre Materials Analy
MAX6706AMKA+T	Buy	SOT-23;8 pin; Dwg: 21-0078F (PDF) Use pkgcode/variation: K8+2*	-40°C to +125°C	RoHS/Lead-Fre Materials Analy
MAX6706ARKA+T	Buy	SOT-23;8 pin; Dwg: 21-0078F (PDF) Use pkgcode/variation: K8+2*	-40°C to +125°C	RoHS/Lead-Fre Materials Analy
MAX6706ASKA+T	Buy	SOT-23;8 pin; Dwg: 21-0078F (PDF) Use pkgcode/variation: K8+2*	-40°C to +125°C	RoHS/Lead-Fre Materials Analy
MAX6706ATKA+T	Buy	SOT-23;8 pin; Dwg: 21-0078F (PDF) Use pkgcode/variation: K8+2*	-40°C to +125°C	RoHS/Lead-Fre Materials Analy
MAX6706AYKA+T	Buy	SOT-23;8 pin; Dwg: 21-0078F (PDF) Use pkgcode/variation: K8+2*	-40°C to +125°C	RoHS/Lead-Fre Materials Analy
MAX6706ALKA-T	Buy	SOT-23;8 pin; Dwg: 21-0078F (PDF) Use pkgcode/variation: K8-2*	-40°C to +125°C	RoHS/Lead-Fre Materials Analy

[Didn't Find What You Need?](#)

[CONTACT US: SEND US AN EMAIL](#)

Copyright © 2007 by Maxim Integrated Products, Dallas Semiconductor • [Legal Notices](#) • [Privacy Policy](#)

MAX6707A - Part Number Table - Maxim/Dallas

ENGLISH • 简体中文 • 日本語



WHAT'S NEW PRODUCTS SOLUTIONS DESIGN APPNOTES SUPPORT BUY COMPANY M

MAX6707A

Part Number Table

Notes:

1. See the [MAX6707A QuickView Data Sheet](#) for further information on this product family or download the [MAX6707A full data sheet](#) (PDF, 200kB).
2. Other options and links for purchasing parts are listed at: <http://www.maxim-ic.com/sales>.
3. [Didn't Find What You Need?](#) Ask our applications engineers. Expert assistance in finding parts, usually within one business day.
4. Part number suffixes: T or T&R = tape and reel; + = RoHS/lead-free; # = RoHS/lead-exempt. More: See [data sheet](#) or [Part Naming Conventions](#).
5. * Some packages have variations, listed on the drawing. "PkgCode/Variation" tells which variation the product uses.

Part Number	Free Sample	Buy Direct	Package: TYPE PINS SIZE DRAWING CODE/VAR *	Temp	RoHS/Lead-Free Materials Analy
MAX6707AZKA	<input type="button" value="Sample"/>	<input type="button" value="Buy"/>	SOT-23;8 pin; Dwg: 21-0078F (PDF) Use pkgcode/variation: K8-2*	-40°C to +125°C	RoHS/Lead-Free Materials Analy
MAX6707ALKA	<input type="button" value="Sample"/>	<input type="button" value="Buy"/>	SOT-23;8 pin; Dwg: 21-0078F (PDF) Use pkgcode/variation: K8-2*	-40°C to +125°C	RoHS/Lead-Free Materials Analy
MAX6707AMKA+	<input type="button" value="Sample"/>	<input type="button" value="Buy"/>	SOT-23;8 pin; Dwg: 21-0078F (PDF) Use pkgcode/variation: K8+2*	-40°C to +125°C	RoHS/Lead-Free Materials Analy
MAX6707AMKA	<input type="button" value="Sample"/>	<input type="button" value="Buy"/>	SOT-23;8 pin; Dwg: 21-0078F (PDF) Use pkgcode/variation: K8-2*	-40°C to +125°C	RoHS/Lead-Free Materials Analy
MAX6707ARKA+	<input type="button" value="Sample"/>	<input type="button" value="Buy"/>	SOT-23;8 pin; Dwg: 21-0078F (PDF) Use pkgcode/variation: K8+2*	-40°C to +125°C	RoHS/Lead-Free Materials Analy
MAX6707ARKA	<input type="button" value="Sample"/>	<input type="button" value="Buy"/>	SOT-23;8 pin; Dwg: 21-0078F (PDF)	-40°C to +125°C	RoHS/Lead-Free Materials Analy

MAX6707A - Part Number Table - Maxim/Dallas

MAX6707ASKA+	Sample	Buy	Use pkgcode/variation: K8-2* SOT-23;8 pin; Dwg: 21-0078F (PDF) Use pkgcode/variation: K8+2*	-40°C to +125°C	RoHS/Lead-Fre	Materials Analy
MAX6707ASKA	Sample	Buy	SOT-23;8 pin; Dwg: 21-0078F (PDF) Use pkgcode/variation: K8-2*	-40°C to +125°C	RoHS/Lead-Fre	Materials Analy
MAX6707ATKA+	Sample	Buy	SOT-23;8 pin; Dwg: 21-0078F (PDF) Use pkgcode/variation: K8+2*	-40°C to +125°C	RoHS/Lead-Fre	Materials Analy
MAX6707ATKA	Sample	Buy	SOT-23;8 pin; Dwg: 21-0078F (PDF) Use pkgcode/variation: K8-2*	-40°C to +125°C	RoHS/Lead-Fre	Materials Analy
MAX6707AYKA+	Sample	Buy	SOT-23;8 pin; Dwg: 21-0078F (PDF) Use pkgcode/variation: K8+2*	-40°C to +125°C	RoHS/Lead-Fre	Materials Analy
MAX6707AYKA	Sample	Buy	SOT-23;8 pin; Dwg: 21-0078F (PDF) Use pkgcode/variation: K8-2*	-40°C to +125°C	RoHS/Lead-Fre	Materials Analy
MAX6707AZKA+	Sample	Buy	SOT-23;8 pin; Dwg: 21-0078F (PDF) Use pkgcode/variation: K8+2*	-40°C to +125°C	RoHS/Lead-Fre	Materials Analy
MAX6707ALKA+	Sample	Buy	SOT-23;8 pin; Dwg: 21-0078F (PDF) Use pkgcode/variation: K8+2*	-40°C to +125°C	RoHS/Lead-Fre	Materials Analy
MAX6707AZKA+T		Buy	SOT-23;8 pin; Dwg: 21-0078F (PDF) Use pkgcode/variation: K8+2*	-40°C to +125°C	RoHS/Lead-Fre	Materials Analy
MAX6707AMKA-T		Buy	SOT-23;8 pin; Dwg: 21-0078F (PDF) Use pkgcode/variation: K8-2*	-40°C to +125°C	RoHS/Lead-Fre	Materials Analy
MAX6707ARKA-T		Buy	SOT-23;8 pin; Dwg: 21-0078F (PDF) Use pkgcode/variation: K8-2*	-40°C to +125°C	RoHS/Lead-Fre	Materials Analy
MAX6707ASKA-T		Buy	SOT-23;8 pin; Dwg: 21-0078F (PDF) Use pkgcode/variation: K8-2*	-40°C to +125°C	RoHS/Lead-Fre	Materials Analy
MAX6707ATKA-T		Buy	SOT-23;8 pin; Dwg: 21-0078F (PDF) Use pkgcode/variation: K8-2*	-40°C to +125°C	RoHS/Lead-Fre	Materials Analy
MAX6707AYKA-T		Buy	SOT-23;8 pin; Dwg: 21-0078F (PDF) Use pkgcode/variation: K8-2*	-40°C to +125°C	RoHS/Lead-Fre	Materials Analy

MAX6707A - Part Number Table - Maxim/Dallas

MAX6707AZKA-T	Buy	SOT-23;8 pin; Dwg: 21-0078F (PDF) Use pkgcode/variation: K8-2*	-40°C to +125°C	RoHS/Lead-Fre Materials Analy
MAX6707ALKA+T	Buy	SOT-23;8 pin; Dwg: 21-0078F (PDF) Use pkgcode/variation: K8+2*	-40°C to +125°C	RoHS/Lead-Fre Materials Analy
MAX6707AMKA+T	Buy	SOT-23;8 pin; Dwg: 21-0078F (PDF) Use pkgcode/variation: K8+2*	-40°C to +125°C	RoHS/Lead-Fre Materials Analy
MAX6707ARKA+T	Buy	SOT-23;8 pin; Dwg: 21-0078F (PDF) Use pkgcode/variation: K8+2*	-40°C to +125°C	RoHS/Lead-Fre Materials Analy
MAX6707ASKA+T	Buy	SOT-23;8 pin; Dwg: 21-0078F (PDF) Use pkgcode/variation: K8+2*	-40°C to +125°C	RoHS/Lead-Fre Materials Analy
MAX6707ATKA+T	Buy	SOT-23;8 pin; Dwg: 21-0078F (PDF) Use pkgcode/variation: K8+2*	-40°C to +125°C	RoHS/Lead-Fre Materials Analy
MAX6707AYKA+T	Buy	SOT-23;8 pin; Dwg: 21-0078F (PDF) Use pkgcode/variation: K8+2*	-40°C to +125°C	RoHS/Lead-Fre Materials Analy
MAX6707ALKA-T	Buy	SOT-23;8 pin; Dwg: 21-0078F (PDF) Use pkgcode/variation: K8-2*	-40°C to +125°C	RoHS/Lead-Fre Materials Analy

[Didn't Find What You Need?](#)

[CONTACT US: SEND US AN EMAIL](#)

Copyright © 2007 by Maxim Integrated Products, Dallas Semiconductor • [Legal Notices](#) • [Privacy Policy](#)

X-ON Electronics

Largest Supplier of Electrical and Electronic Components

Click to view similar products for [Supervisory Circuits](#) category:

Click to view products by [Maxim](#) manufacturer:

Other Similar products are found below :

[NCP304LSQ38T1G](#) [NCP304LSQ40T1G](#) [NCP304LSQ42T1G](#) [NCP304LSQ43T1G](#) [NCP304LSQ46T1G](#) [NCP305LSQ11T1G](#)
[NCP305LSQ16T1G](#) [NCP305LSQ17T1G](#) [NCP305LSQ18T1G](#) [NCP305LSQ24T1G](#) [NCP305LSQ25T1G](#) [NCP305LSQ29T1G](#)
[NCP305LSQ31T1G](#) [NCP305LSQ32T1G](#) [NCP308MT250TBG](#) [NCP308SN300T1G](#) [NCP391FCALT2G](#) [NCV303LSN42T1G](#)
[NCV308SN330T1G](#) [CAT1161LI-25-G](#) [CAT853STBI-T3](#) [MAX1232CPA](#) [MAX705CPA](#) [CAT1026LI-30-G](#) [CAT1320LI-25-G](#) [CAT872-30ULGT3](#) [LA-ispPAC-POWR1014-01TN48E](#) [NCP304HSQ18T1G](#) [NCP304HSQ29T1G](#) [NCP304LSQ27T1G](#) [NCP304LSQ29T1G](#)
[NCP304LSQ45T1G](#) [NCP305LSQ26T1G](#) [NCP305LSQ35T1G](#) [NCP305LSQ37T1G](#) [NCP308MT300TBG](#) [NCV300LSN36T1G](#)
[NCV302LSN30T1G](#) [NCV303LSN16T1G](#) [NCV303LSN22T1G](#) [NCV303LSN27T1G](#) [NCV33161DMR2G](#) [TC54VN2402EMB713](#)
[MCP1316T-44NE/OT](#) [MCP1316MT-45GE/OT](#) [MCP1316MT-23LI/OT](#) [MCP1316T-26LE/OT](#) [MAX8997EWW+](#) [MAX821RUS+T](#)
[MAX6725AKASYD3-LF-T](#)