

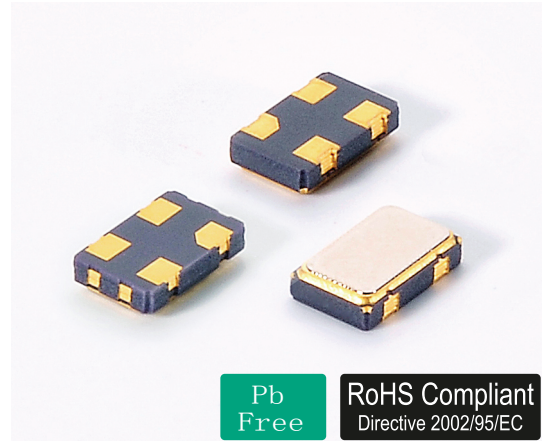
5.0x3.2 SMD OSCILLATOR

FEATURE

- Tight frequency tolerance.
- Pin-compatible with standard 5.0×3.2mm packages.
- Low power standby mode.
- surface mounting and automatically loaded.
- Reflow solder is possible.
- Lower noise and current with reduced power consumption.
- Built-in C-MOS IC with tri-state function.
- Pb-free and RoHS/Green compliant.

APPLICATIONS

- Ideally suited designed for use in Ethernet, fiber channel, PCs, NB, PCMCIA Cards, Palmtop Computer, Portable Applications.

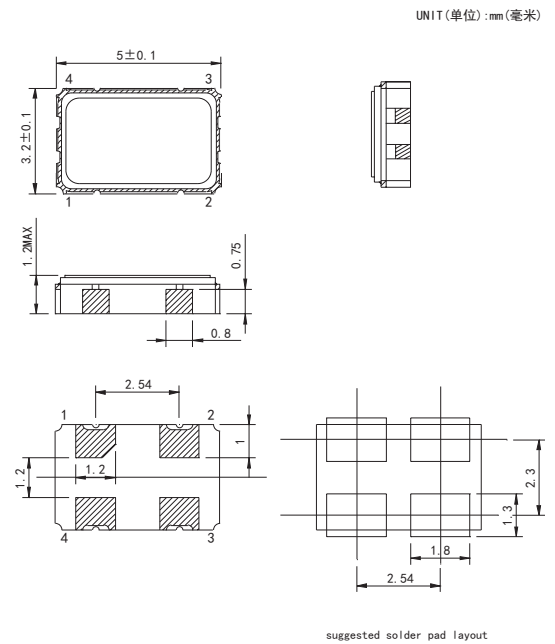


Electrical Specifications 电气参数

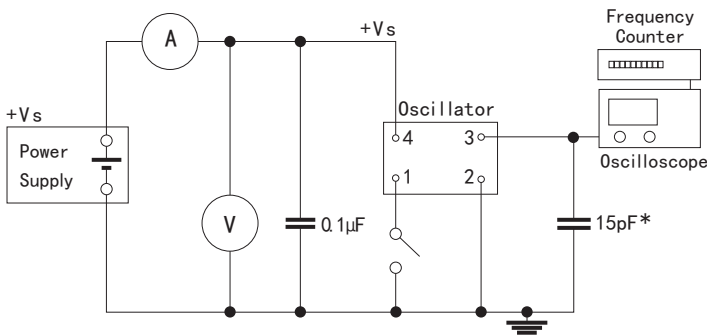
| 型号 | Holder Type | 5.0x3.2mm SMD OSCILLATOR |
|---------|---|-------------------------------------|
| 频率范围 | Frequency Range | 32.768KHz, 1.000 Mhz to 125.000 MHz |
| 总频差 | Frequency Stability | ±20ppm to ±50ppm |
| 输入电压 | Supply Voltage | 5.0V or 3.3V ±10%※(See Notes) |
| 工作温度范围 | Operating Temperature Range | -20°C - +70°C / -40°C - +85°C |
| 储存温度范围 | Storage Temperature Range | -40°C - +85°C/-55°C - +125°C |
| 占空比 | Symmetry (Duty Cycle) | 40/60 Standard |
| 输出 | Output Load | 10 TTL or 15pF Hcmos |
| 消耗电流 | Current Consumption (15pf only) (5.0V) | 1.000Mhz - 35.999Mhz=25mA max |
| | | 36.000Mhz - 69.999Mhz=60mA max |
| | | 70.000Mhz - 100.000Mhz=80mA max |
| | Current Consumption (15pf only) (1.8V 2.5V 2.85V 3.3V) | 1.000Mhz - 35.999Mhz=20mA max |
| | | 36.000Mhz - 69.999Mhz=40mA max |
| | | 70.000Mhz - 125.000Mhz=60mA max |
| 上升/下降时间 | Rise/Fall Time | 5 nS max |

※Notes:The supply voltage 1.8V, 2.5V, 2.85V also can be made by customer.

Mechanical Dimensions 外型尺寸



Test Circuit (测试电路)



| PIN | FUNCTION |
|-----|-----------------------|
| 1 | Tri-state※(See Notes) |
| 2 | Ground |
| 3 | Output |
| 4 | Vdd |

※Notes:

Tri-state: PIN 1 connected to Vdd or floating, the product is working properly;connected to GND, stops working.

X-ON Electronics

Largest Supplier of Electrical and Electronic Components

Click to view similar products for [Standard Clock Oscillators](#) category:

Click to view products by [SCTF](#) manufacturer:

Other Similar products are found below :

[EP1400SJTSC-125.000M](#) [601137](#) [601252](#) [CSX750FBC-24.000M-UT](#) [CSX750FBC-33.333M-UT](#) [CSX750FCC-3.6864M-UT](#) [F335-12](#) [F335-25](#) [F535L-50](#) [DSC506-03FM2](#) [ASA-20.000MHZ-L-T](#) [ASA-25.000MHZ-L-T](#) [ASA-27.000MHZ-L-T](#) [ASV-20.000MHZ-LR-T](#) [ECS-2018-160-BN-TR](#) [EL13C7-H2F-125.00M](#) [MXO45HS-2C-66.6666MHZ](#) [NBXDBB017LN1TAG](#) [NBXHBA019LN1TAG](#) [SiT1602BI-22-33E-50.000000E](#) [SIT8003AC-11-33S-2.04800X](#) [SiT8256AC-23-33E-156.250000X](#) [SIT8918AA-11-33S-50.000000G](#) [SM4420TEV-40.0M-T1K](#) [SMA4306-TL-H](#) [F335-24](#) [F335-40](#) [F335-50](#) [F535L-10](#) [F535L-12](#) [F535L-16](#) [F535L-24](#) [F535L-27](#) [F535L-48](#) [PE7744DW-100.0M](#) [CSX750FBC-20.000M-UT](#) [CSX-750FBC33333000T](#) [CSX750FBC-4.000M-UT](#) [CSX750FBC-7.3728M-UT](#) [CSX750FBC-8.000M-UT](#) [CSX-750FCC14745600T](#) [CSX750FCC-16.000M-UT](#) [CSX-750FCC40000000T](#) [CSX750FCC-4.000M-UT](#) [ASA-22.000MHZ-L-T](#) [ASA2-26.000MHZ-L-T](#) [ASA-40.000MHZ-L-T](#) [ASA-48.000MHZ-L-T](#) [ASA-60.000MHZ-L-T](#) [ASF1-3.686MHZ-N-K-S](#)